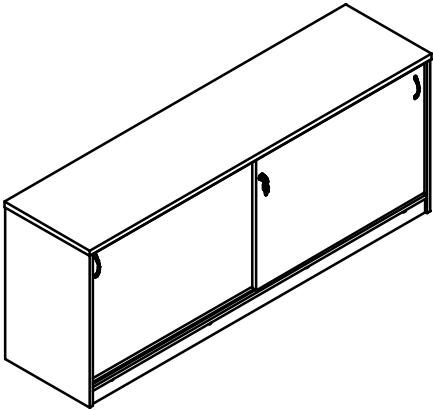
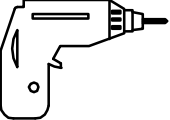



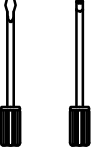


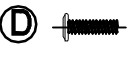

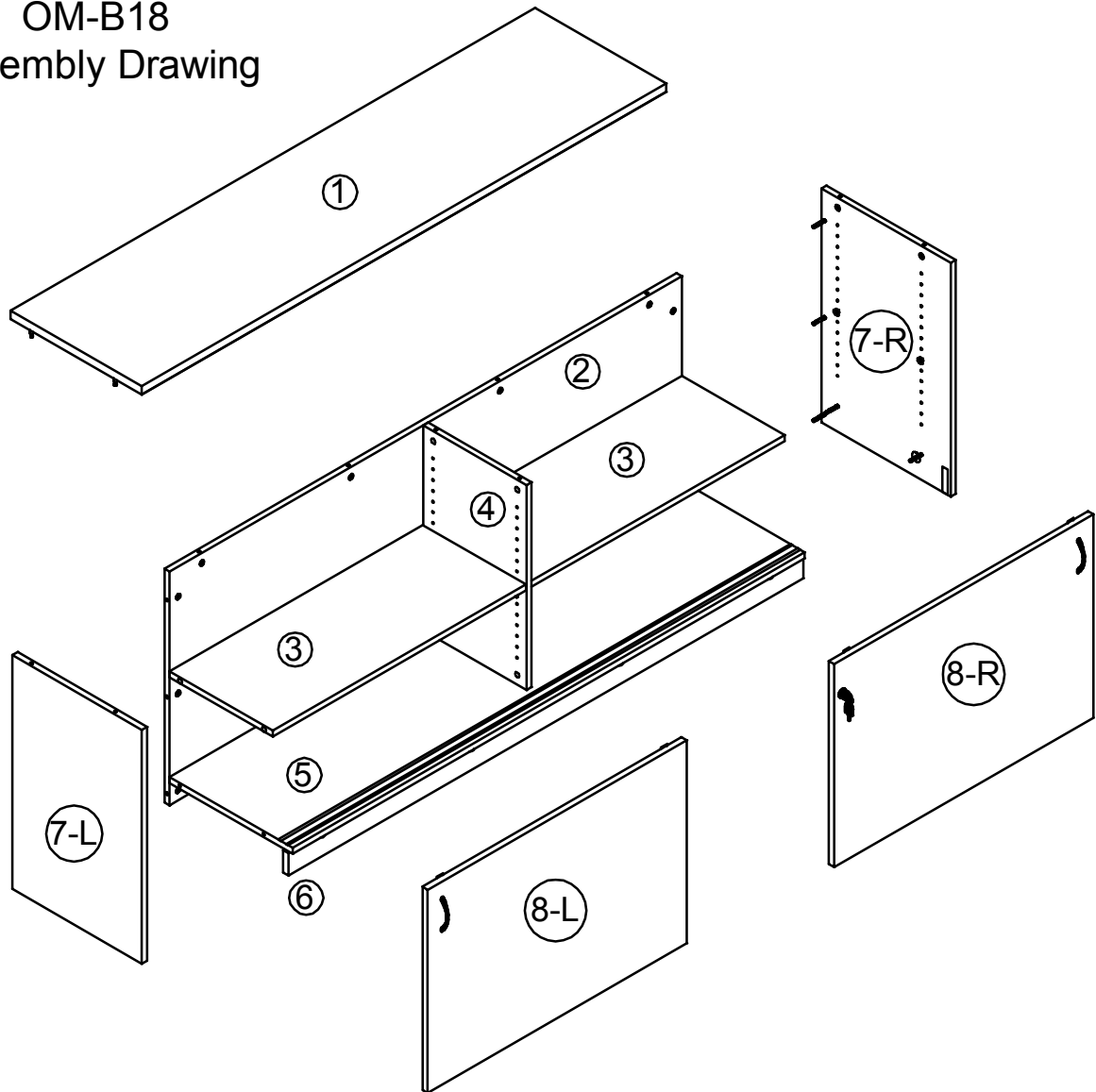
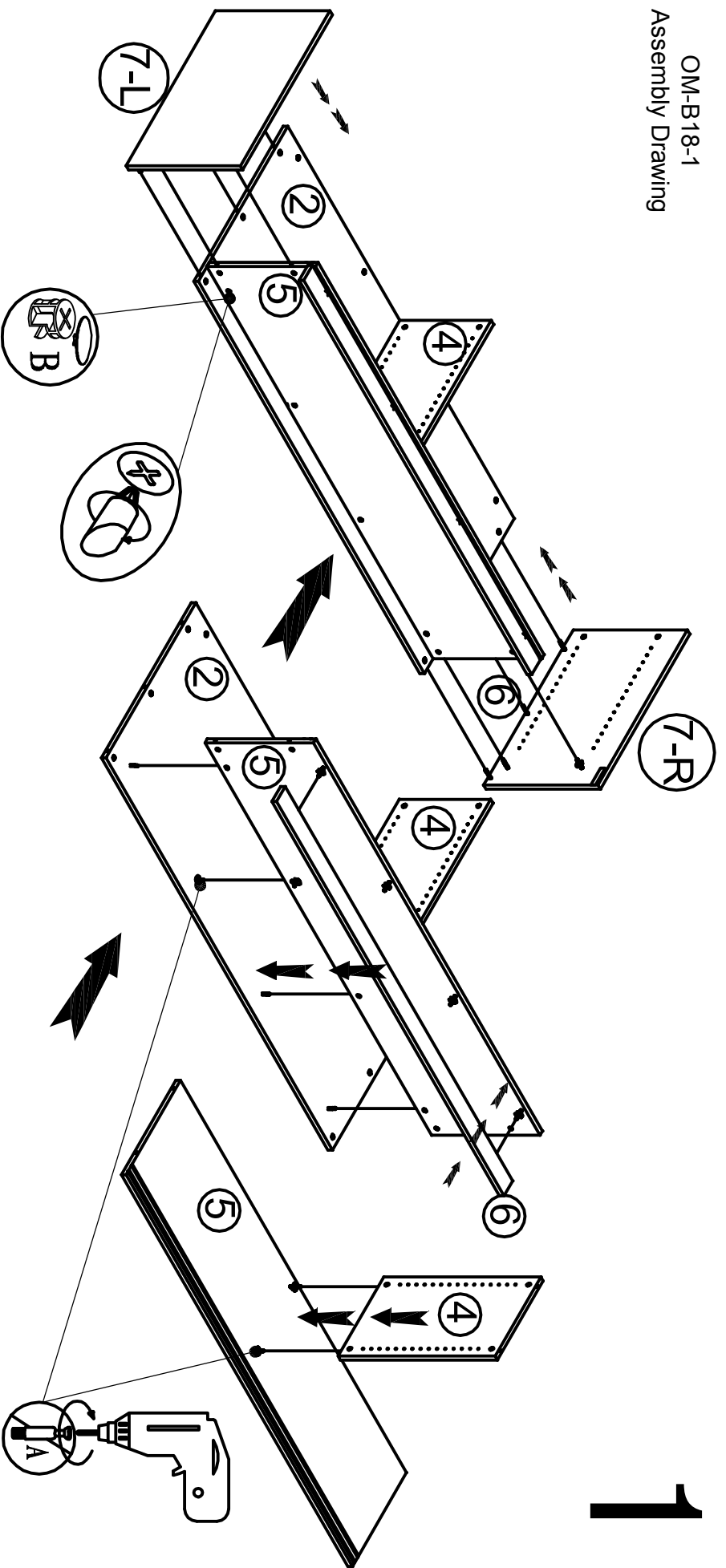


TOOLS	Connecting Parts			
	 X30	 X1		
	 X30			
	 X2	 X2		
	 X4	 X8		

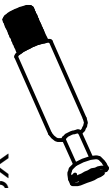


OM-B18
Assembly Drawing

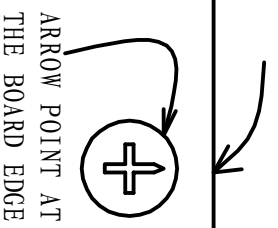


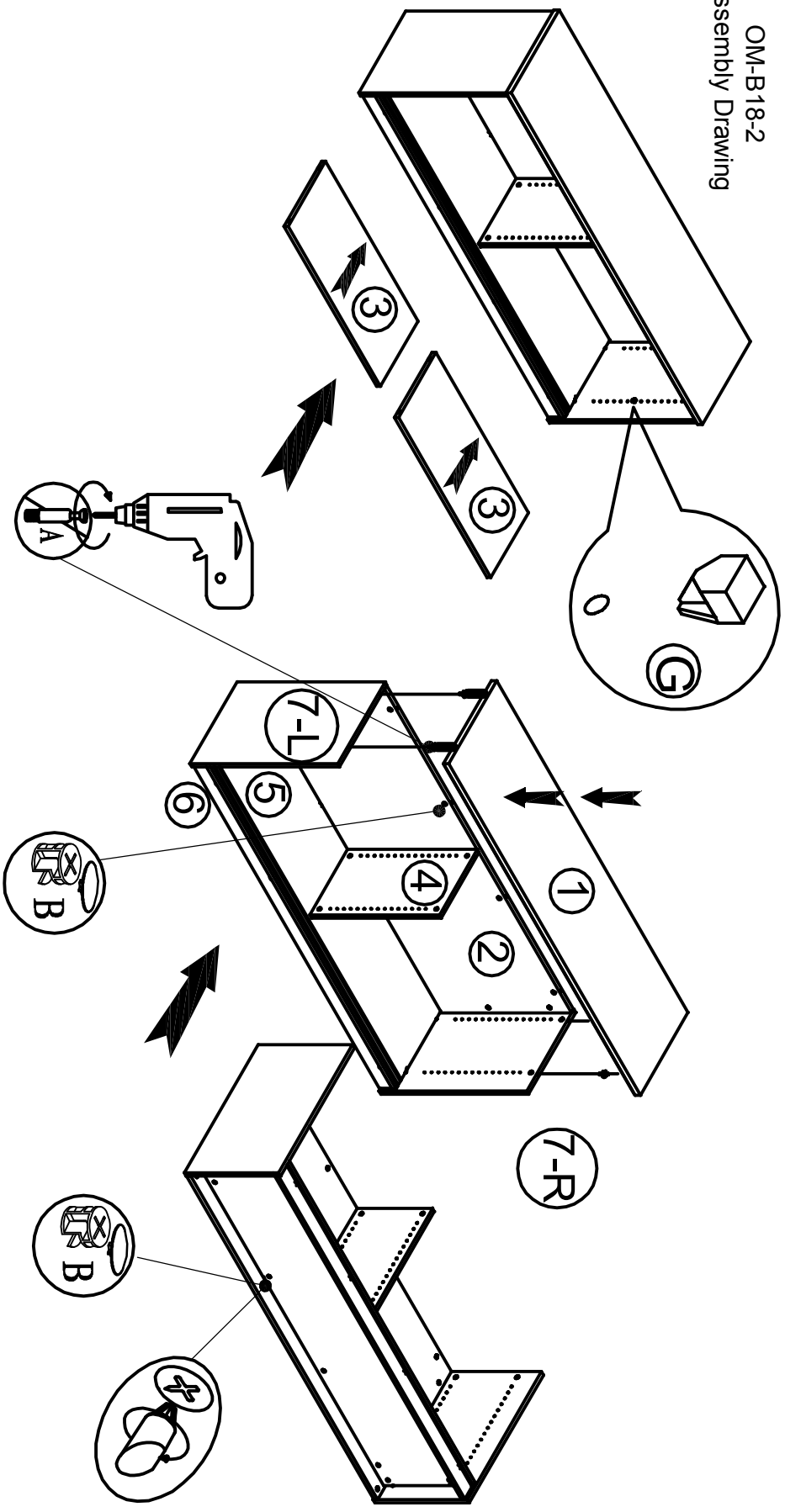
Series No.	Specification (W*D*H)	qty	Series No.	Specification (W*D*H)	qty	Series No.	Specification (W*D*H)	qty
1	1800*450*25	1	6	1754*67*18	1			
2	1744*695*18	1	7-L	695*444*25	1			
3	862*353*18	2	7-R	695*444*25	1			
4	610*355*18	1	8-L	604*882*18	1			
5	1744*422*18	1	8-R	604*882*18	1			



Connecting Parts




<p>(A)</p>  <p>X20</p>	
<p>(B)</p>   <p>X20</p>	

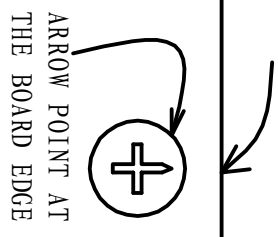


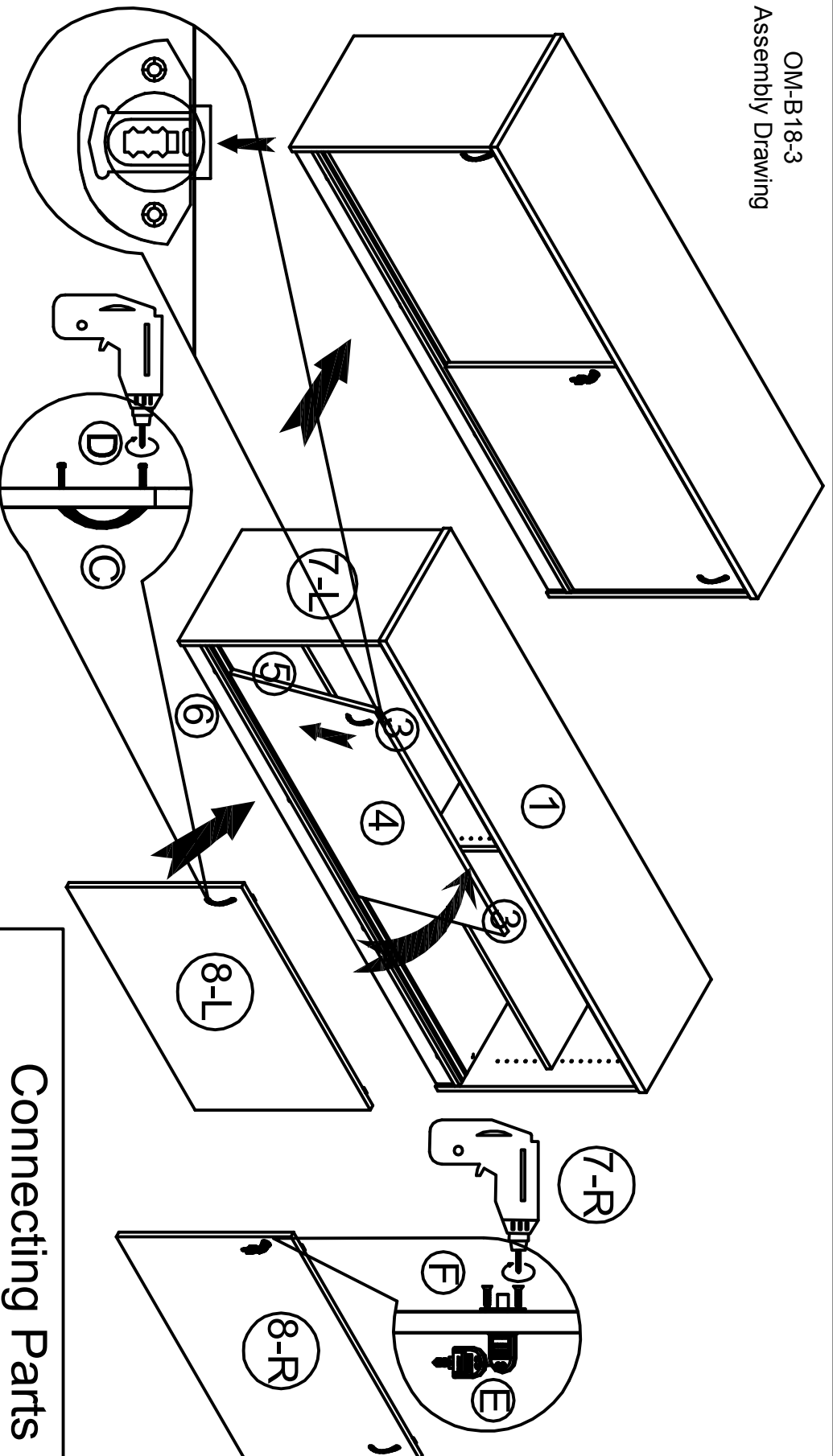


2

Connecting Parts

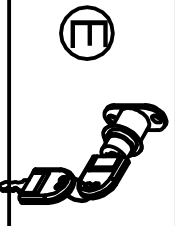
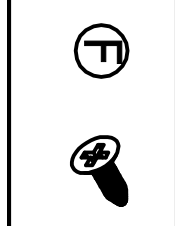
<p>(A)</p>  <p>X10</p>	<p>(G)</p>  <p>X8</p>
<p>(B)</p>  <p>X10</p>	

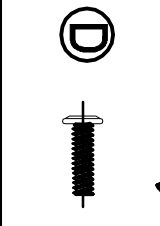
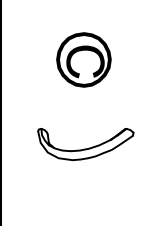




3

Connecting Parts

	
X1	X2

	
X4	X2

ARROW POINT AT
 THE BOARD EDGE

