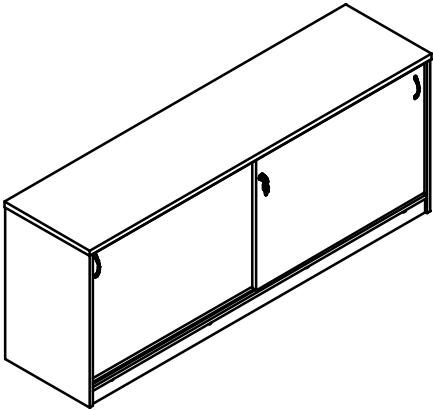
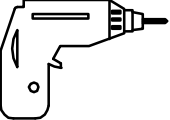



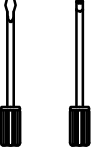


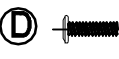
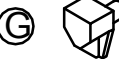
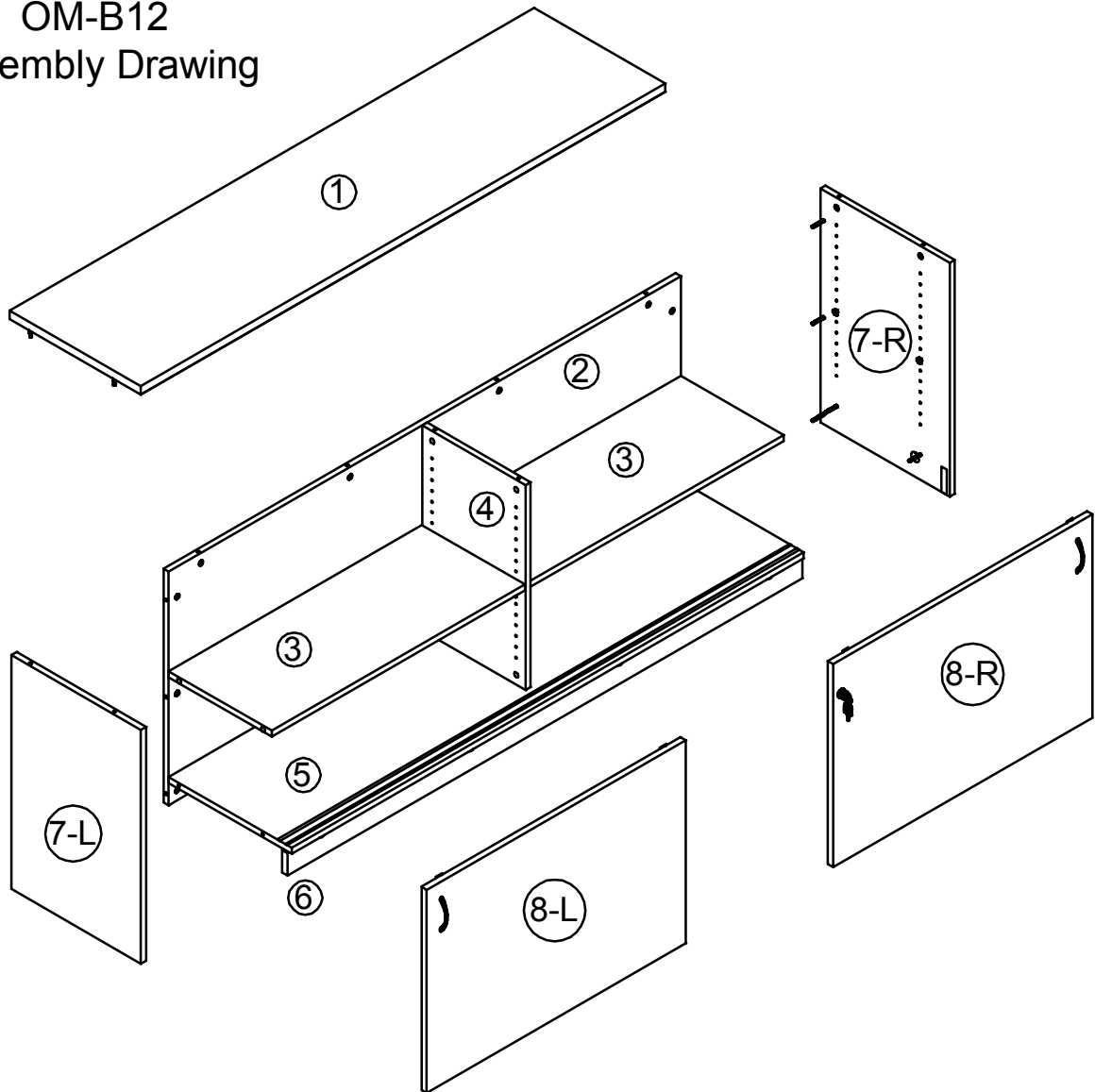
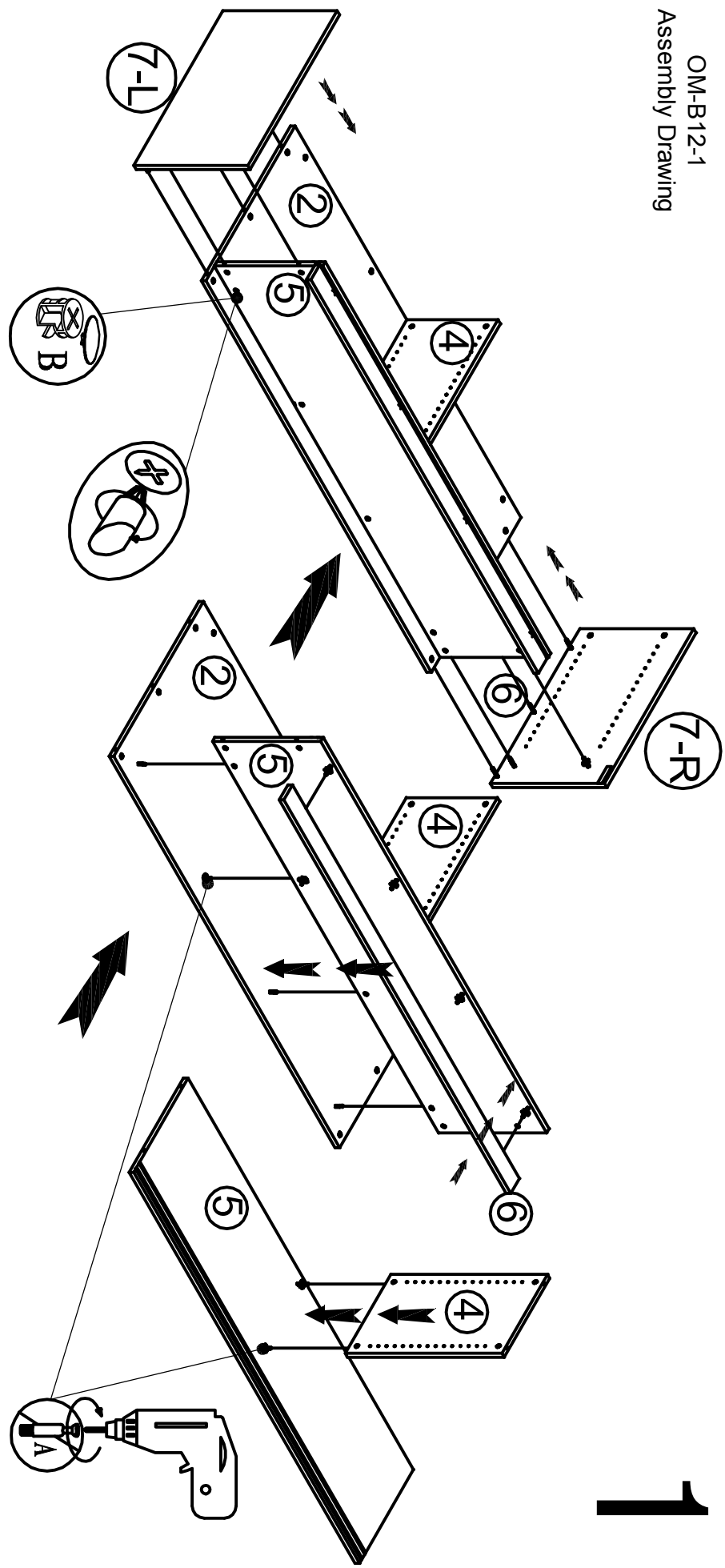


TOOLS	Connecting Parts			
	 X30	 X1		
	 X30			
	 X2	 X2		
	 X4	 X8		

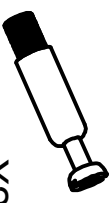

OM-B12
Assembly Drawing

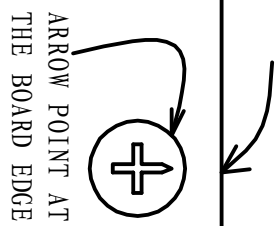


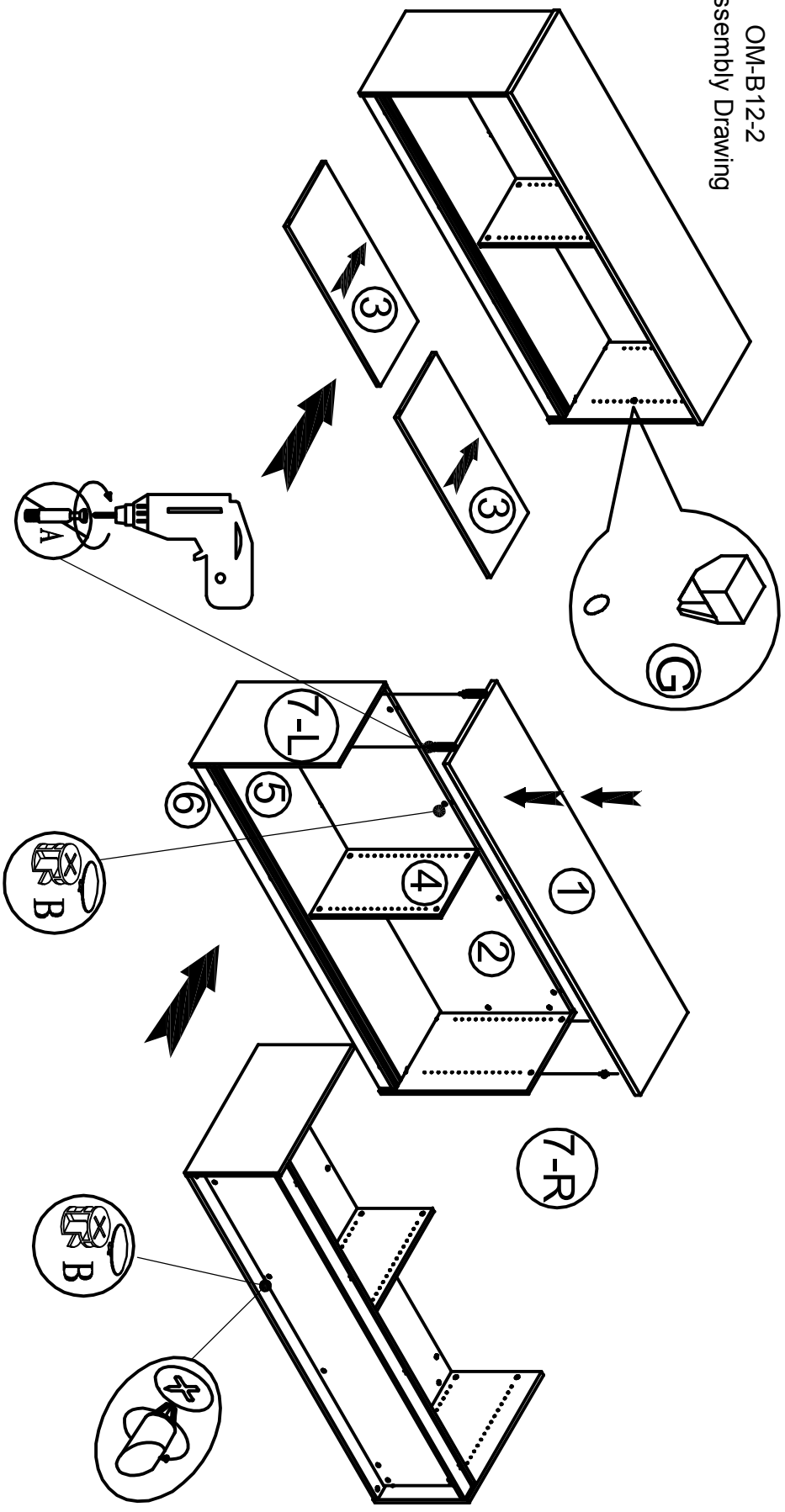
Series No.	Specification (W*D*H)	qty	Series No.	Specification (W*D*H)	qty	Series No.	Specification (W*D*H)	qty
1	1200*450*25	1	6	1154*67*18	1			
2	1144*695*18	1	7-L	695*444*25	1			
3	562*353*18	2	7-R	695*444*25	1			
4	610*355*18	1	8-L	604*582*18	1			
5	1144*422*18	1	8-R	604*582*18	1			







Connecting Parts

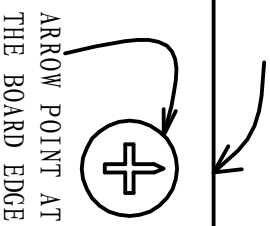
<p>(A)</p>  <p>X20</p>	
<p>(B)</p>  <p>X20</p>	

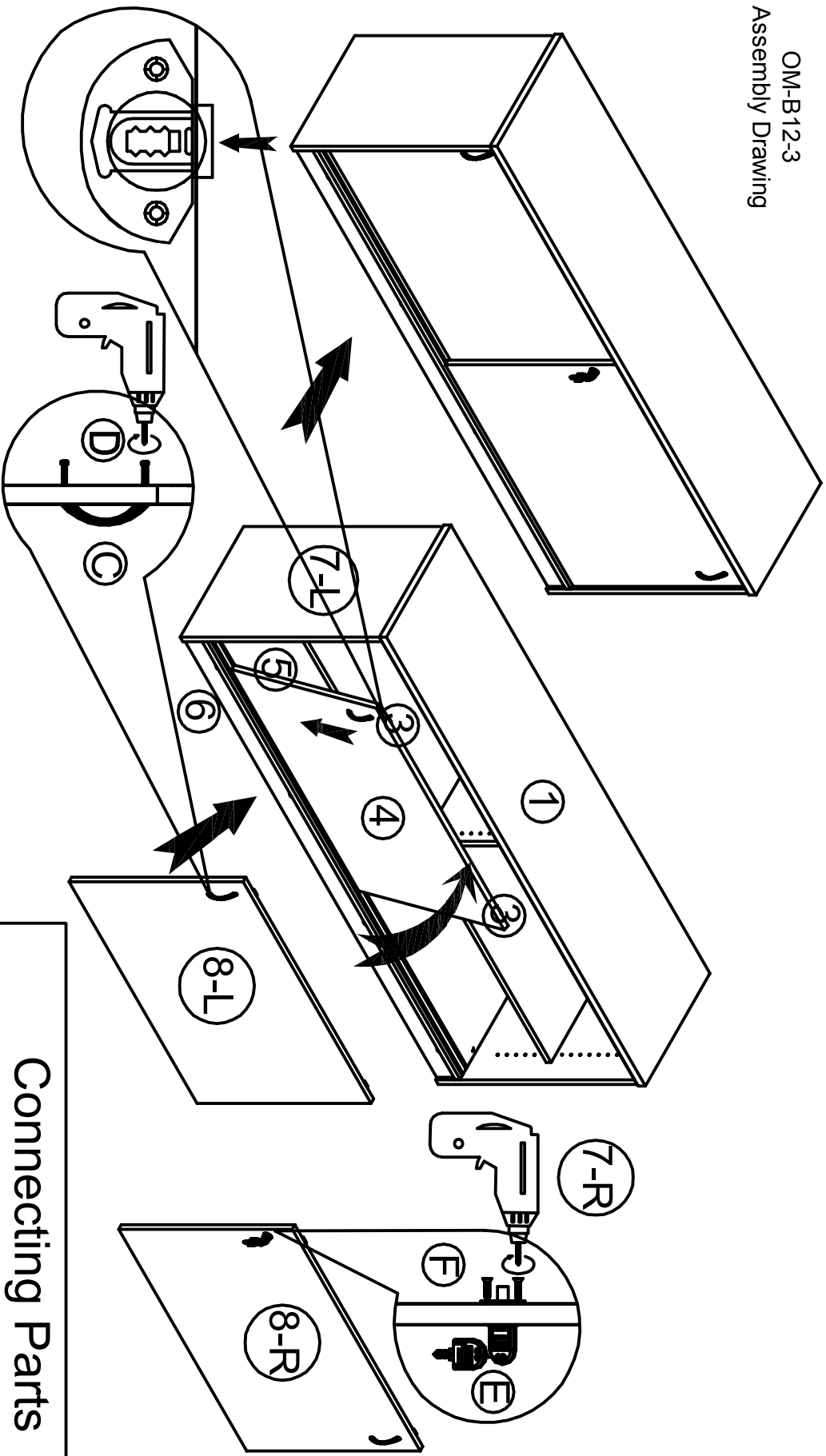








Connecting Parts

<p>A</p>  <p>X10</p>	<p>G</p>  <p>X8</p>
<p>B</p>   <p>X10</p>	





Connecting Parts

 <p>ⓔ</p> <p>X1</p>	 <p>ⓕ</p> <p>X2</p>
 <p>ⓓ</p> <p>X4</p>	 <p>ⓐ</p> <p>X2</p>

