



---

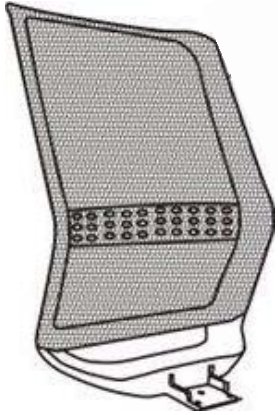
## Motion Sync Chair

Assembly Instructions

# Motion Sync Chair

## Components List

1



Backrest

2



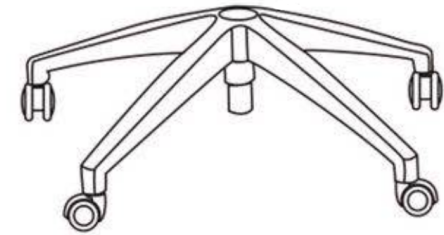
Seat

3



Gas lift cylinder

4



Castor base

5 M8 x 20



3 pcs

6 M8 Washer



3 pcs

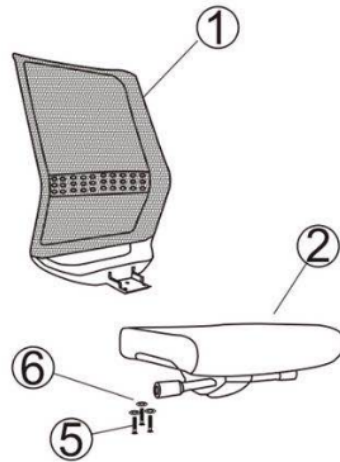


Allen Key

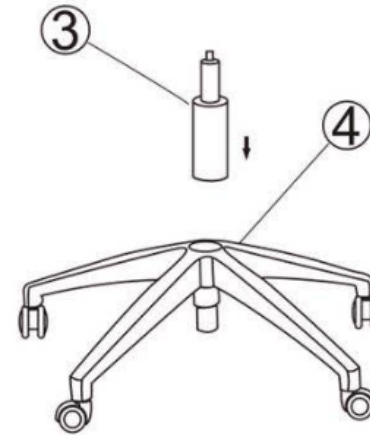
# Motion Sync Chair

Assembly Instructions

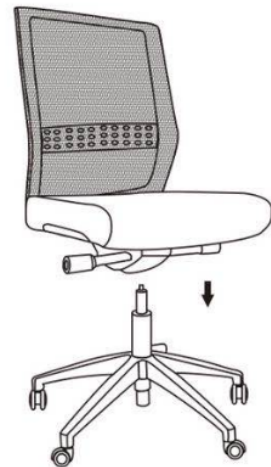
## STEP 1:



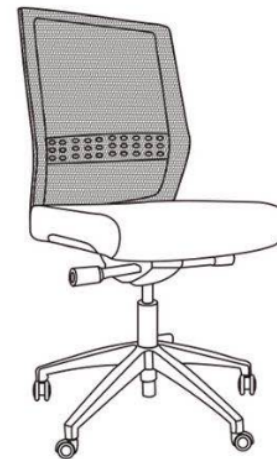
## STEP 2:



## STEP 3:



## COMPLETE:





**Sydney** 02 8188 2732  
**Melbourne** 03 9111 0315  
**Brisbane** 07 3733 1923  
**Adelaide** 08 7111 0810  
**Perth** 08 9468 2707

[info@olgoffice.com](mailto:info@olgoffice.com)

[myolg.online](https://myolg.online) | [olgoffice.com](https://olgoffice.com) | [officedesigner.net](https://officedesigner.net) | [motionoffice.com](https://motionoffice.com)