

OLG



Metro Midback Chair

Assembly Instructions

Metro Midback Chair

Components List



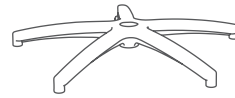
Seat

A



Gas Cylinder

B



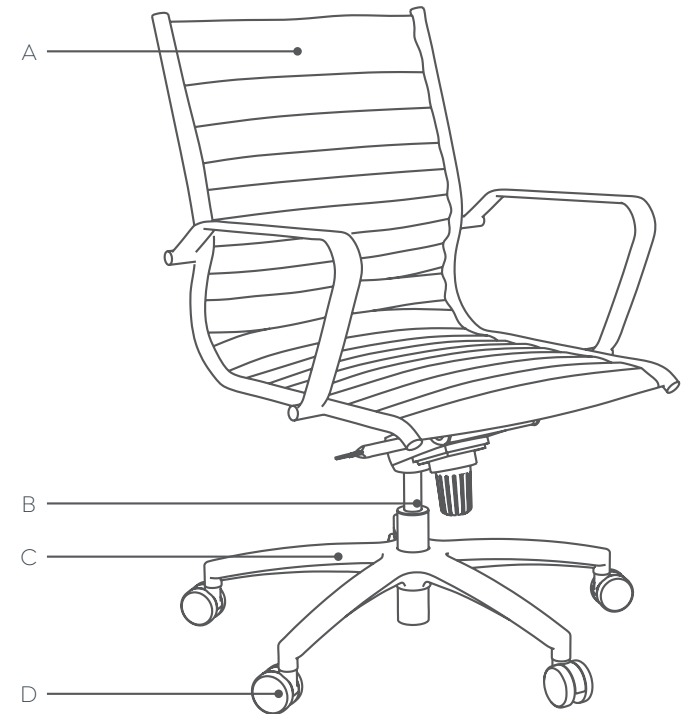
Base

C

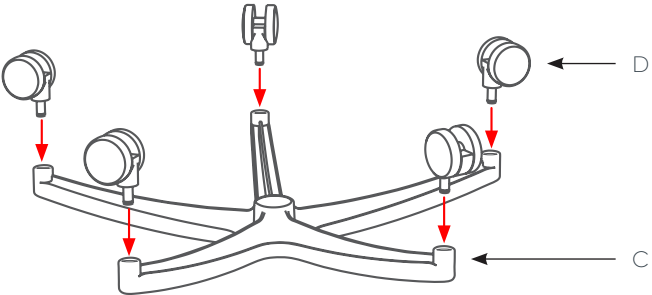


5 x Castor

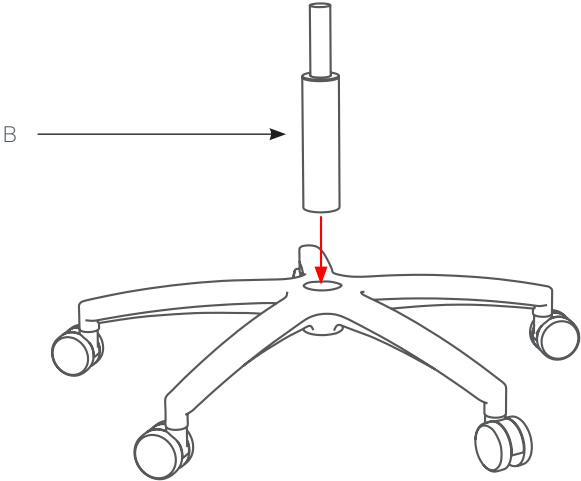
D



STEP 1:



STEP 2:



Metro Midback Chair

Assembly Instructions

STEP 3:



Complete:





Sydney 02 8188 2732

Melbourne 03 9111 0315

Brisbane 07 3733 1923

Adelaide 08 7111 0810

Perth 08 9468 2707

info@olgoffice.com

myolg.online | olgoffice.com | officedesigner.net | motionoffice.com