

OLG



Metro Highback Chair

Assembly Instructions

Metro Highback Chair

Components List



Seat

A



Gas Cylinder

B



Base

C



5 x Castor

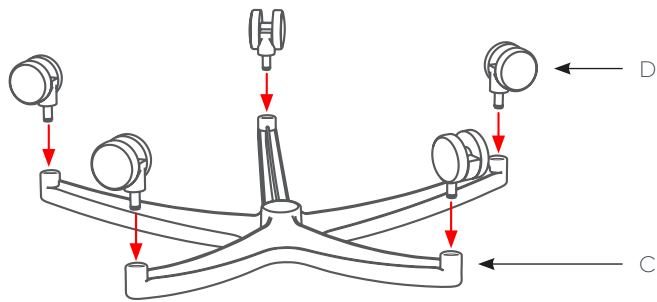
D



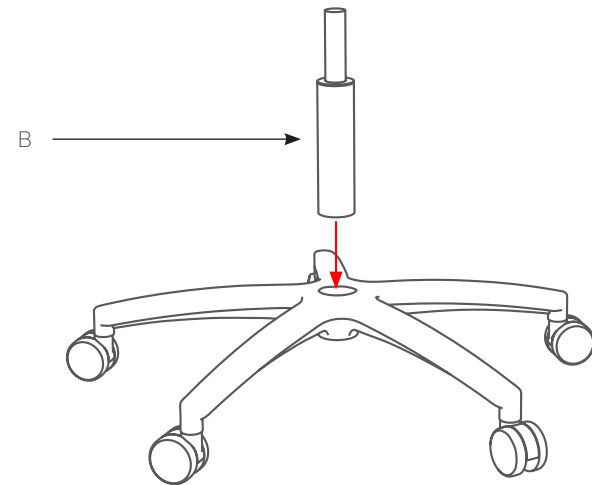
Metro Highback Chair

Assembly Instructions

STEP 1:



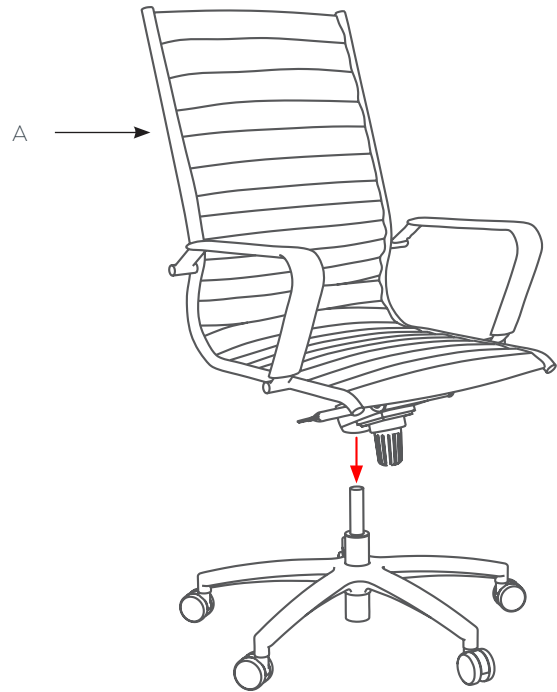
STEP 2:



Metro Highback Chair

Assembly Instructions

STEP 3:



Complete:





Sydney 02 8188 2732

Melbourne 03 9111 0315

Brisbane 07 3733 1923

Adelaide 08 7111 0810

Perth 08 9468 2707

info@olgoffice.com

myolg.online | olgoffice.com | officedesigner.net | motionoffice.com