

OLG



Metro Guest Chair

Assembly Instructions

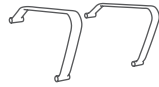
Metro Guest Chair

Components List



Seat

A



Arms

B



Frame

C



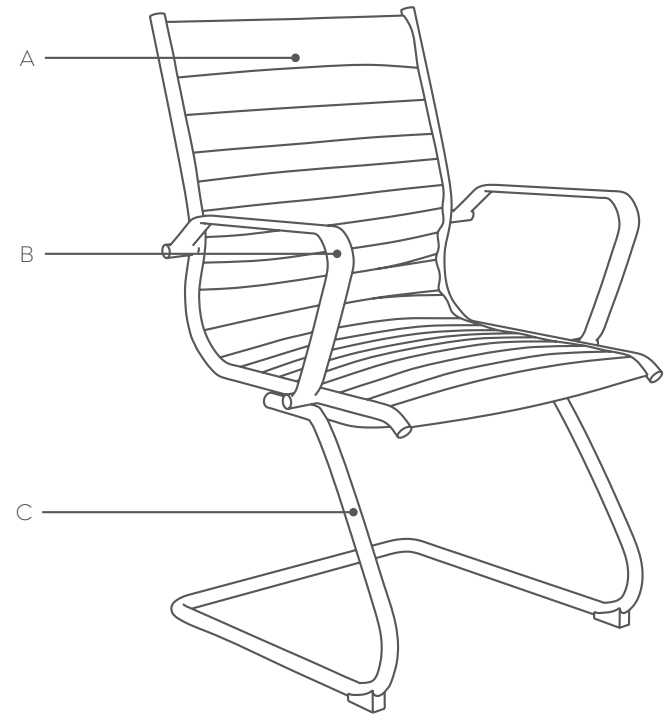
4 x Screw

1

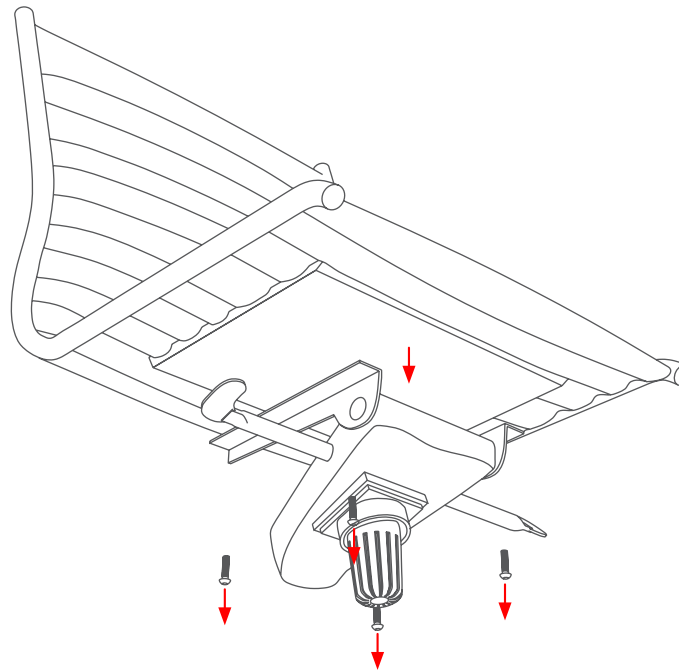


4 x Screw

2



STEP 1:

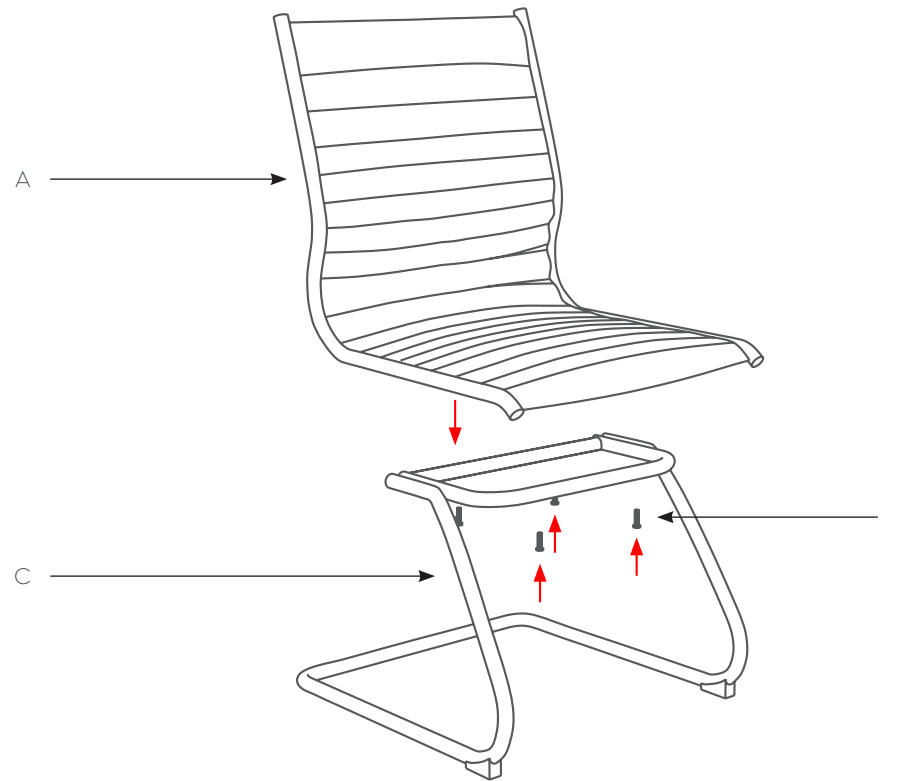


Unscrew mechanism from seat.

Metro Guest Chair

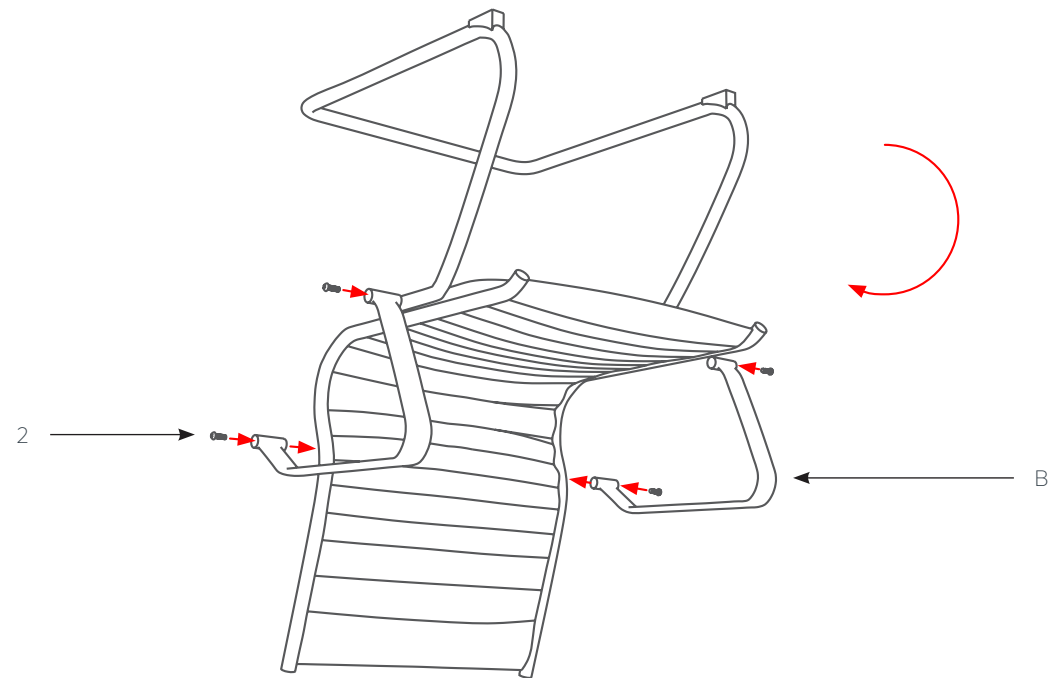
Assembly Instructions

STEP 2:



Align seat to frame. Using a knife, carefully expose insert nuts in seat base. Screw frame to seat.

STEP 3:



Screw armrest to seat

Metro Guest Chair

Assembly Instructions

Complete:





Sydney 02 8188 2732

Melbourne 03 9111 0315

Brisbane 07 3733 1923

Adelaide 08 7111 0810

Perth 08 9468 2707

info@olgoffice.com

myolg.online | olgoffice.com | officedesigner.net | motionoffice.com