

**motionoffice**<sup>®</sup>

Luna Castor > Assembly Instructions



## Luna Castor > Assembly Instructions

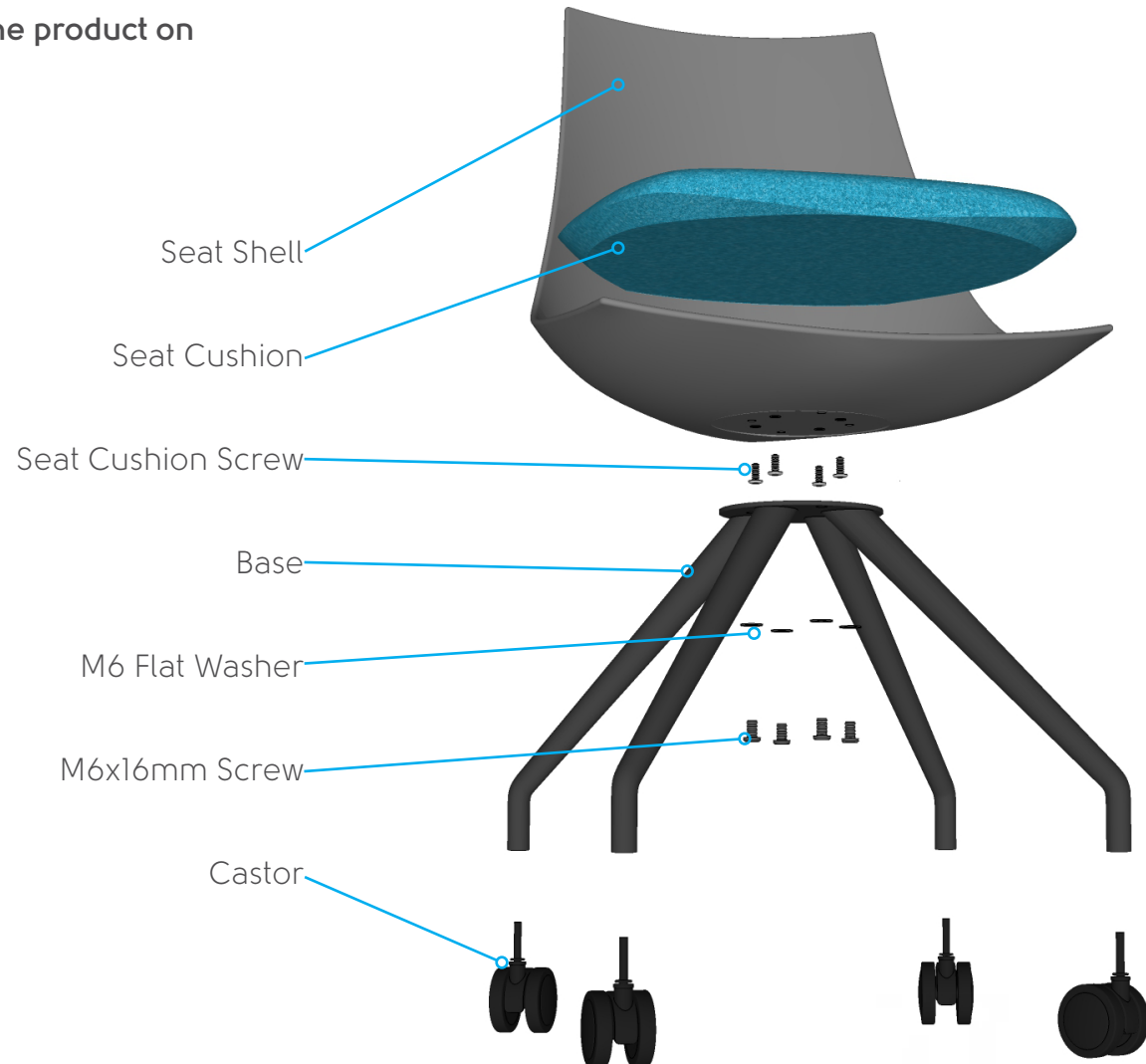
To prevent possible scratches or damage, assemble the product on a soft surface such as a blanket, carpet or packaging.

### PARTS LIST:

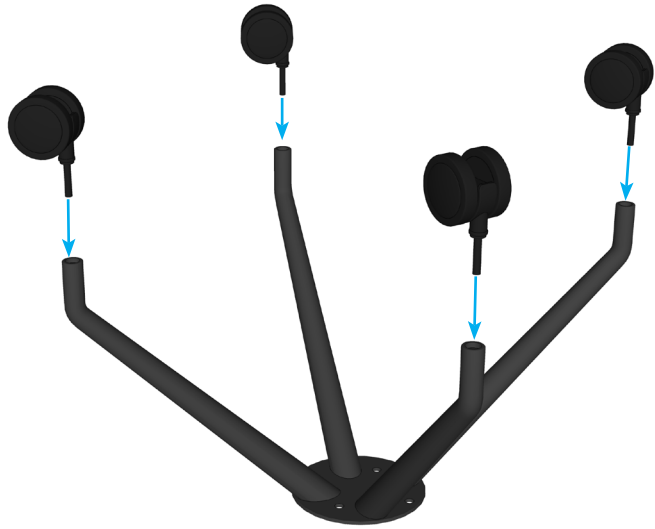
- 1. Seat x 1
- 2. Base x 1
- 3. Castor x 4
- 4. Seat Cushion x 1

### FASTENERS LIST:

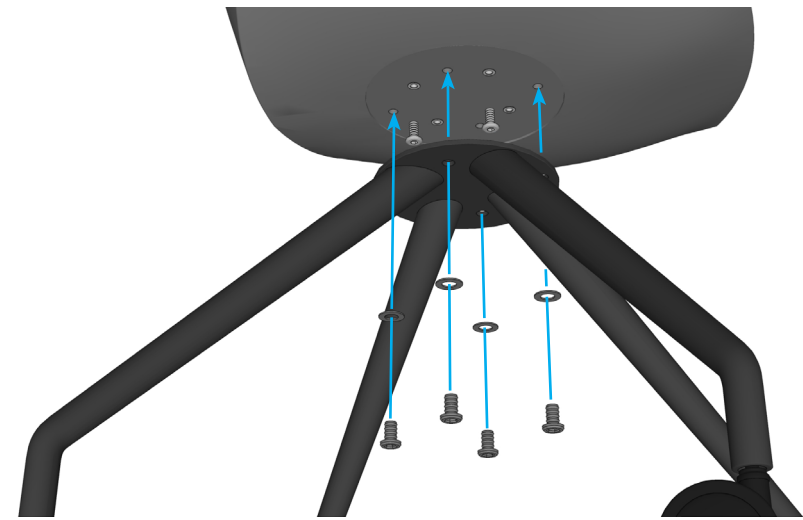
- 5. Seat Cushion Screw x 4
- 6. M6 Flat Washer x 4
- 7. M6x16mm Screw x 4
- 8. Allen Key x 1



Luna Castor > Assembly Instructions



1



2



3