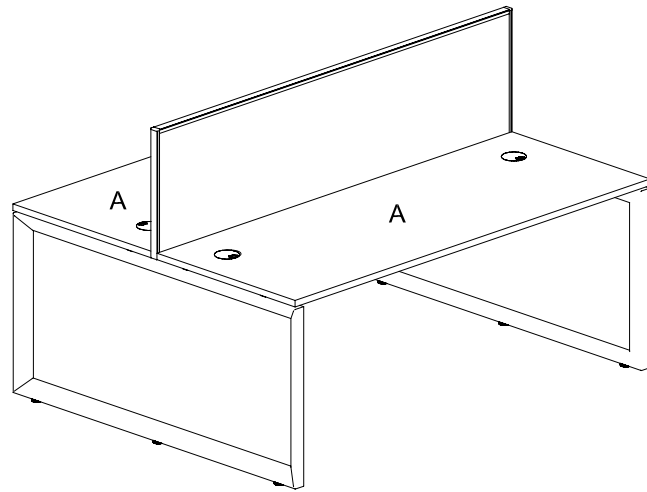


Assembly Instructions

MODEL NO: Loop Leg Assembly Instructions

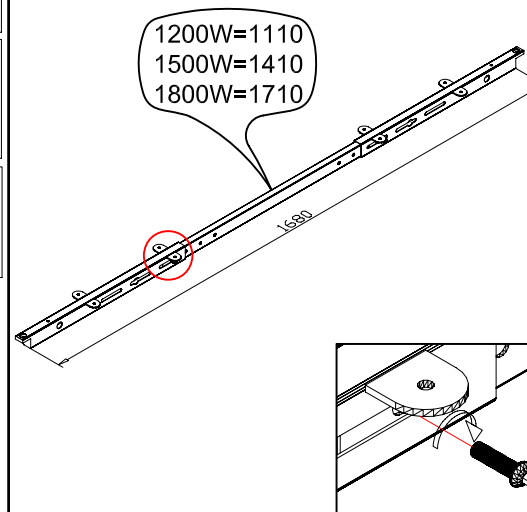


Screw 8x16	1	32PCS	5	M5	1PCS
Screw 6x16	2	4PCS	6	M4	1PCS
Screw 5x20	3	50+4PCS	7	M8	1PCS
L	4	2PCS			

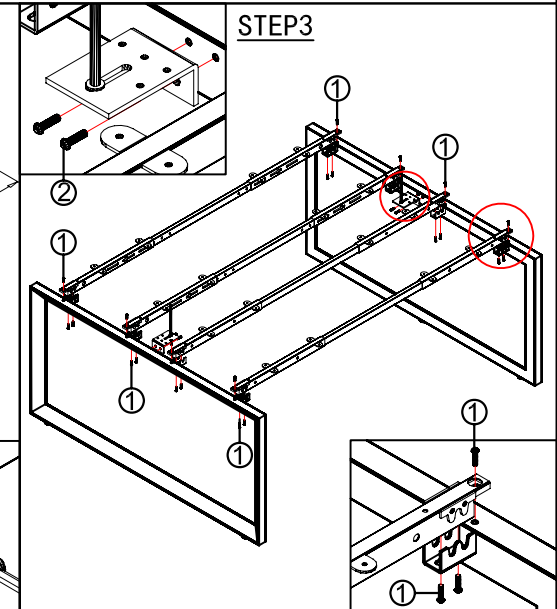
Assembly Instructions

MODEL NO: Loop Leg Assembly Instructions

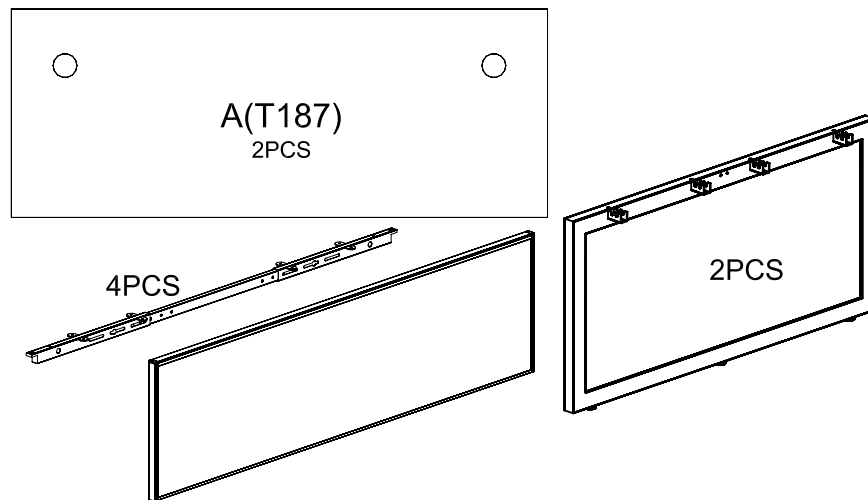
STEP2



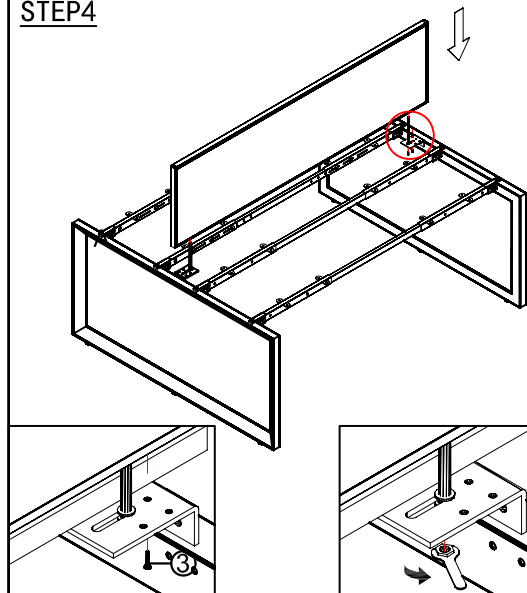
STEP3



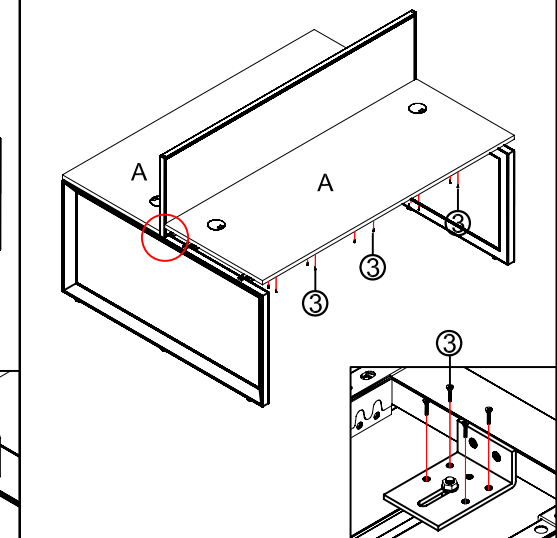
STEP1



STEP4

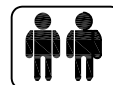


STEP5



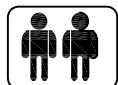
IMPORTANT NOTE:

- Place all laminated parts on a clean and smooth surface such as a rug or carpet to avoid the parts from being scratched.
- Check to be sure that you have all parts and hardware.
- Remove all wrapping materials, including staples & packing straps before you start to assemble.
- Don't tighten all screws/bolts until all completely assembled.
- Keep all hardware parts out of reach of children



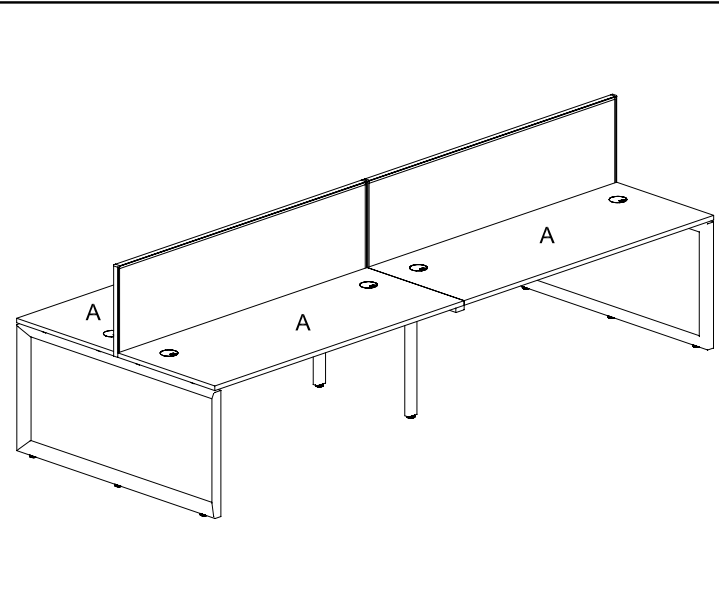
IMPORTANT NOTE:

- Place all laminated parts on a clean and smooth surface such as a rug or carpet to avoid the parts from being scratched.
- Check to be sure that you have all parts and hardware.
- Remove all wrapping materials, including staples & packing straps before you start to assemble.
- Don't tighten all screws/bolts until all completely assembled.
- Keep all hardware parts out of reach of children



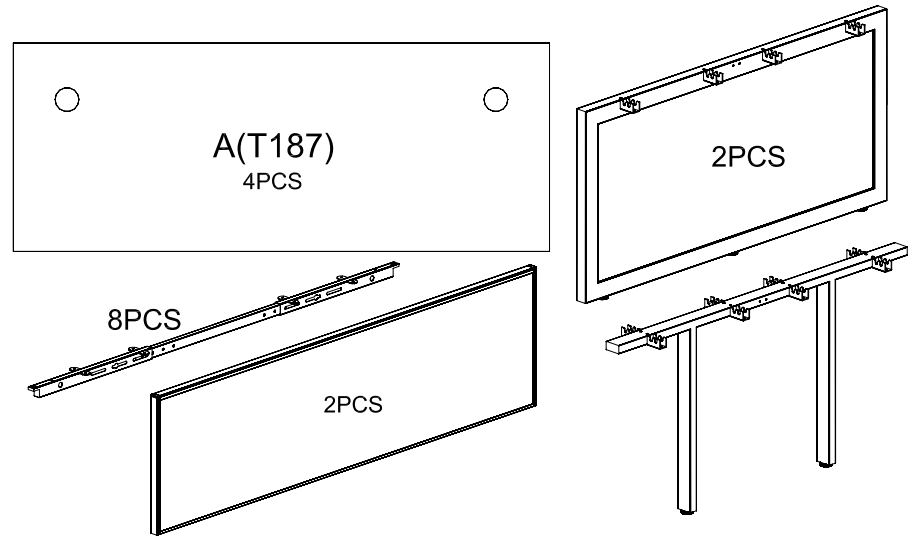
Assembly Instructions

MODEL NO: Loop Leg Assembly Instructions



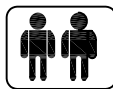
Screw 8x16 1 64PCS	5 1PCS	M5
Screw 6x16 2 8PCS	6 1PCS	M4
Screw 5x20 3 100+4PCS	7 1PCS	M8
L 4 4PCS		

STEP1



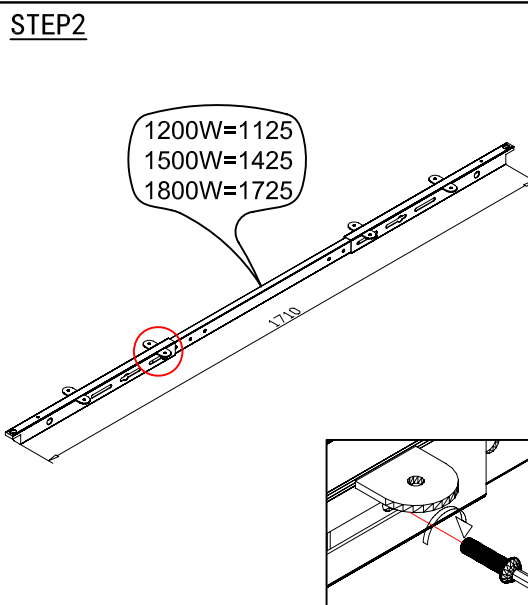
IMPORTANT NOTE:

- Place all laminated parts on a clean and smooth surface such as a rug or carpet to avoid the parts from being scratched.
- Check to be sure that you have all parts and hardware.
- Remove all wrapping materials, including staples & packing straps before you start to assemble.
- Don't tighten all screws/bolts until all completely assembled.
- Keep all hardware parts out of reach of children

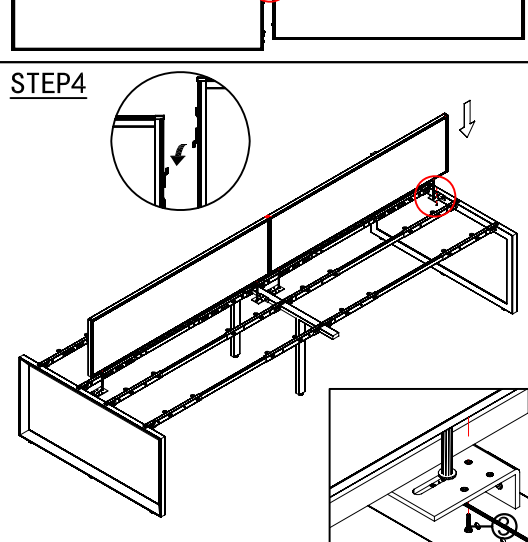


Assembly Instructions

MODEL NO: Loop Leg Assembly Instructions

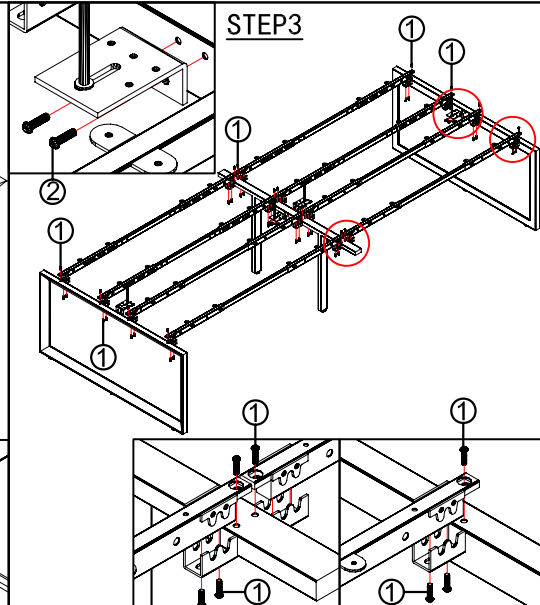


STEP2

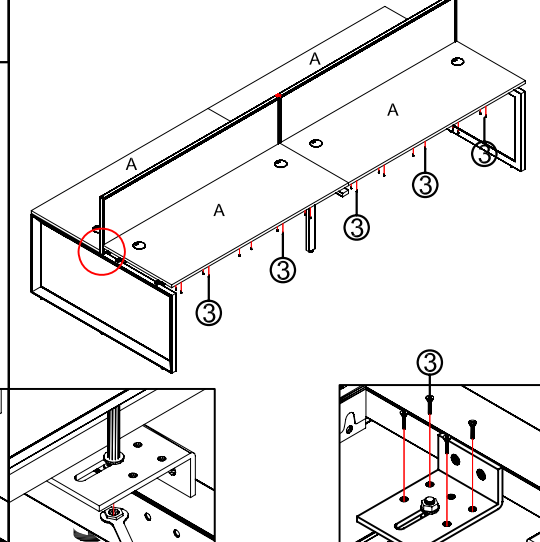


IMPORTANT NOTE:

- Place all laminated parts on a clean and smooth surface such as a rug or carpet to avoid the parts from being scratched.
- Check to be sure that you have all parts and hardware.
- Remove all wrapping materials, including staples & packing straps before you start to assemble.
- Don't tighten all screws/bolts until all completely assembled.
- Keep all hardware parts out of reach of children



STEP3

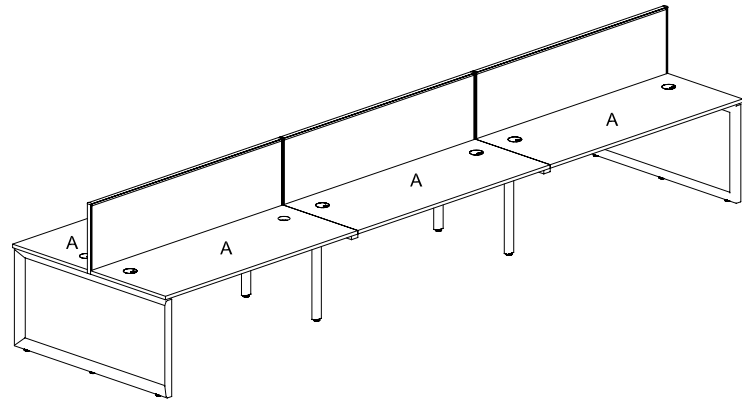


IMPORTANT NOTE:

- Place all laminated parts on a clean and smooth surface such as a rug or carpet to avoid the parts from being scratched.
- Check to be sure that you have all parts and hardware.
- Remove all wrapping materials, including staples & packing straps before you start to assemble.
- Don't tighten all screws/bolts until all completely assembled.
- Keep all hardware parts out of reach of children

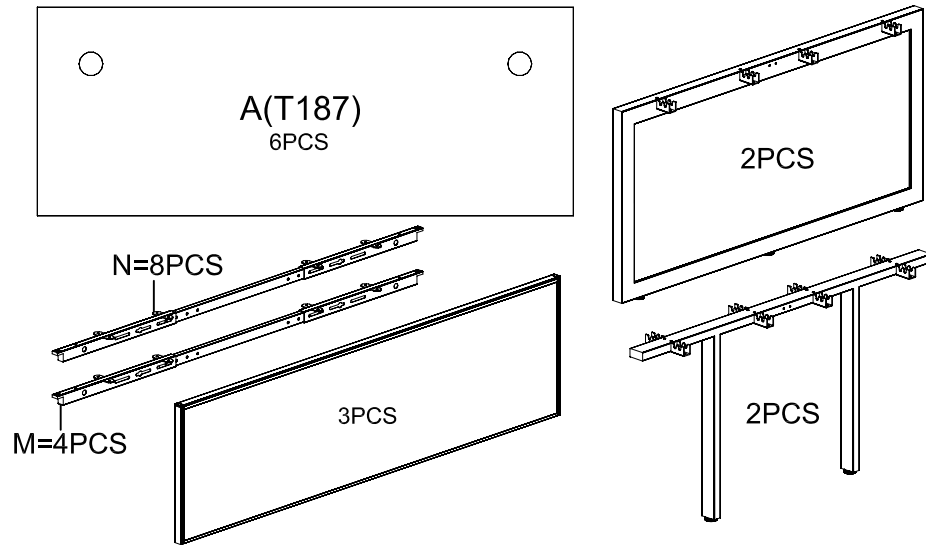
Assembly Instructions

MODEL NO: Loop Leg Assembly Instructions



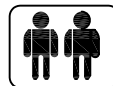
Screw 8×16 1 96PCS	5 1PCS	M5
Screw 6×16 2 12PCS	6 1PCS	M4
Screw 5×20 3 150+4PCS	7 1PCS	M8
4 6PCS		

STEP1



IMPORTANT NOTE:

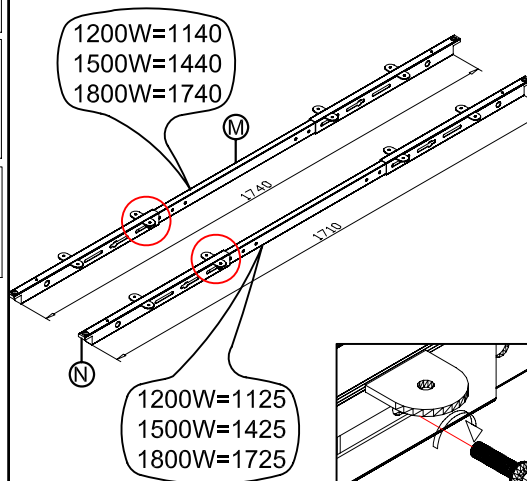
- Place all laminated parts on a clean and smooth surface such as a rug or carpet to avoid the parts from being scratched.
- Check to be sure that you have all parts and hardware.
- Remove all wrapping materials, including staples & packing straps before you start to assemble.
- Don't tighten all screws/bolts until all completely assembled.
- Keep all hardware parts out of reach of children



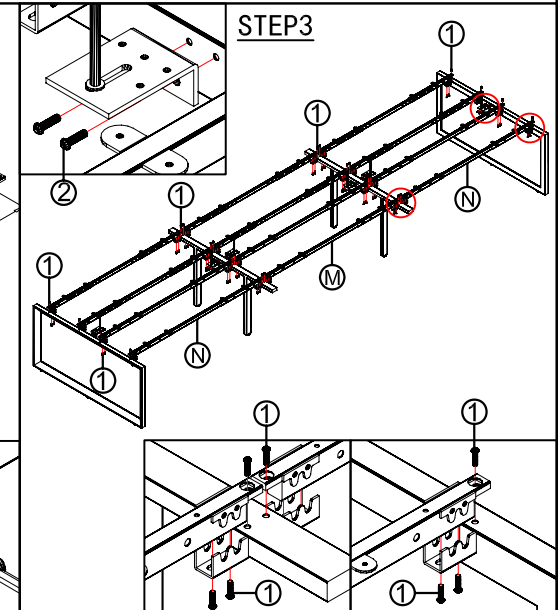
Assembly Instructions

MODEL NO: Loop Leg Assembly Instructions

STEP2

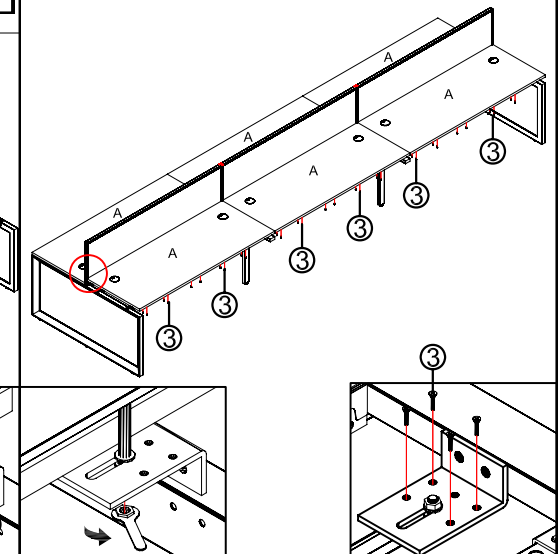
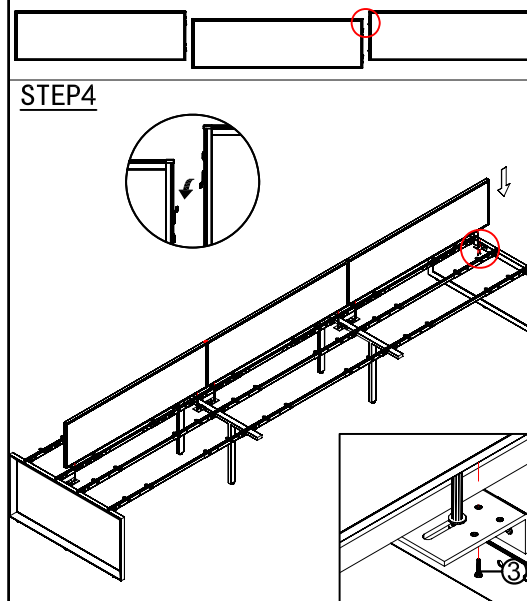


STEP3



STEP5

STEP4



IMPORTANT NOTE:

- Place all laminated parts on a clean and smooth surface such as a rug or carpet to avoid the parts from being scratched.
- Check to be sure that you have all parts and hardware.
- Remove all wrapping materials, including staples & packing straps before you start to assemble.
- Don't tighten all screws/bolts until all completely assembled.
- Keep all hardware parts out of reach of children

