

OLG



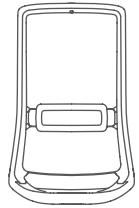
---

## Flow Chair

Assembly Instructions

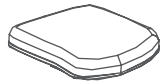
# Flow Chair

## Components List



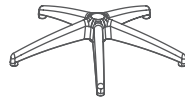
Back Frame

A



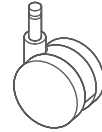
Seat

B



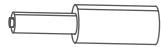
Base

C



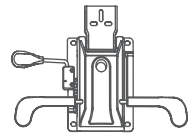
5 x Castors

D



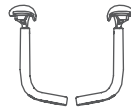
Gas Cylinder

E



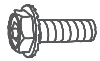
Seat Mechanism

F

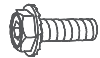


Arms

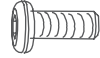
G



4 x M6x35mm



6 x M6x35mm



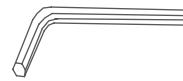
3 x M8x20mm



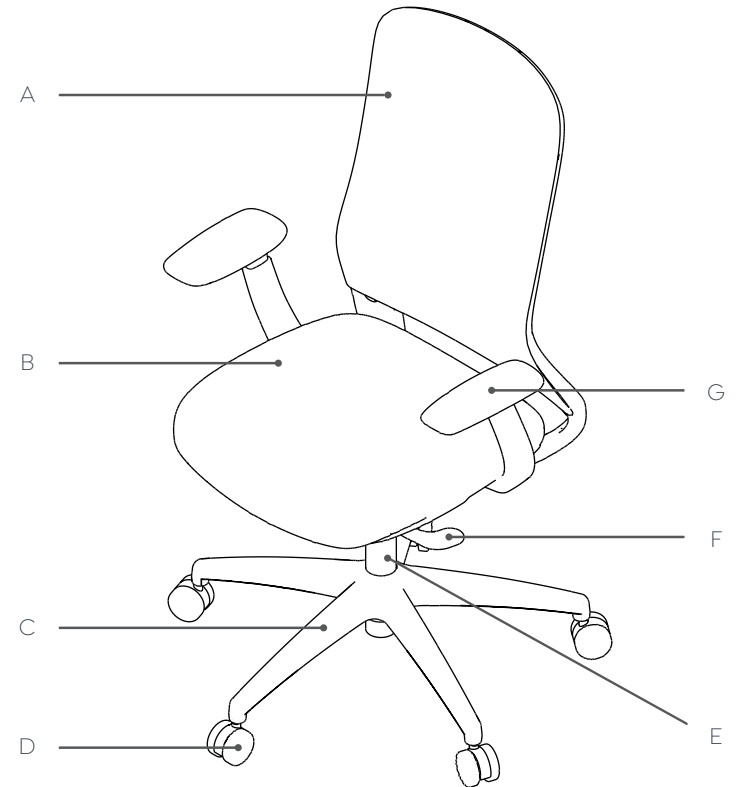
13 x M8xø17



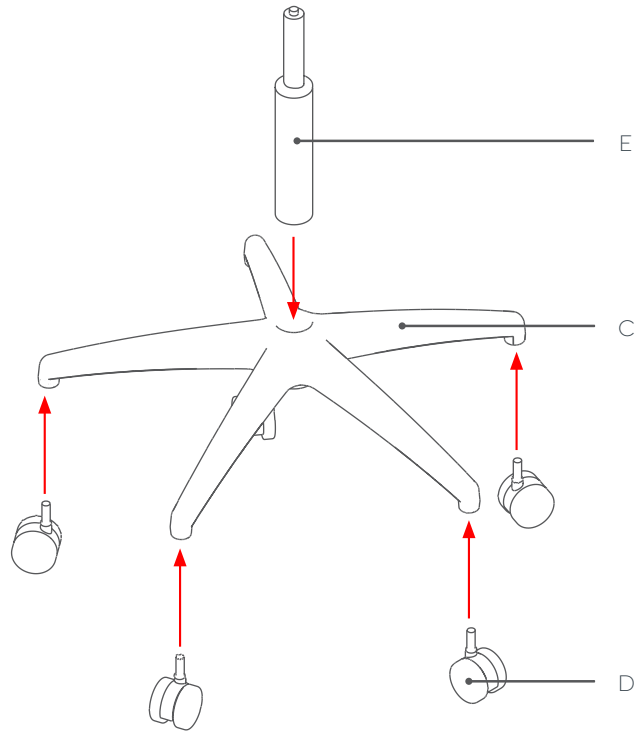
3 x M8xø14x2mm



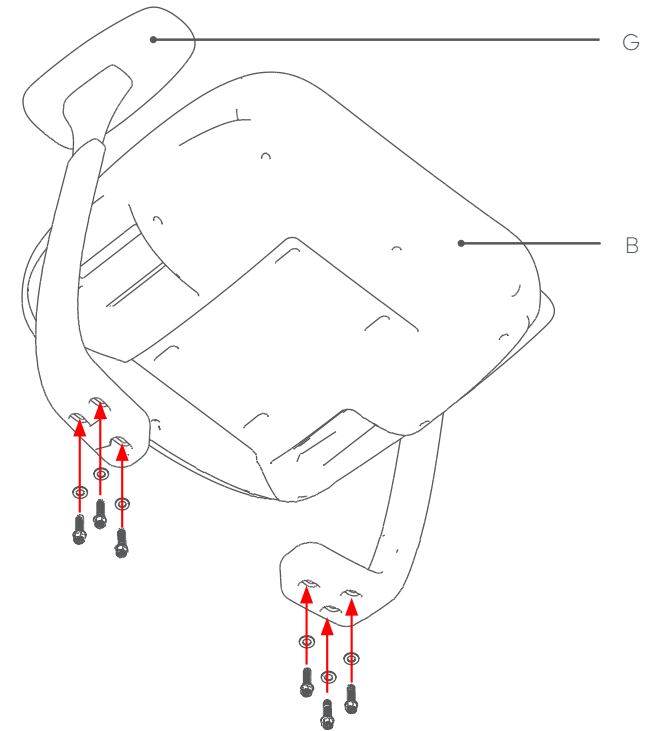
1 x M6



### STEP 1:



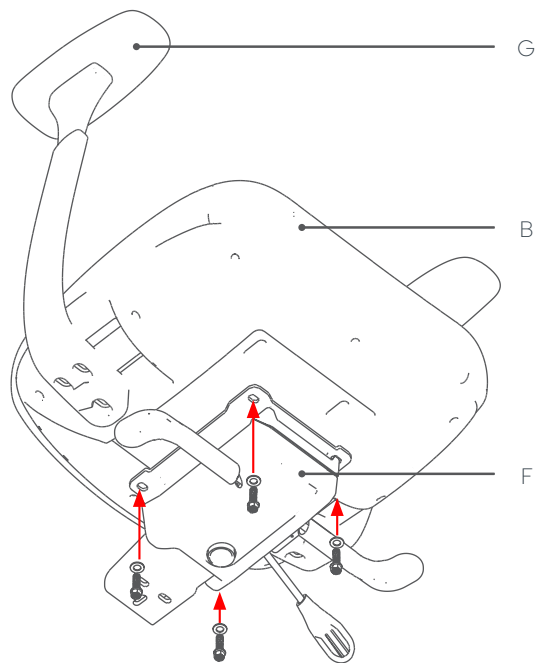
### STEP 2:



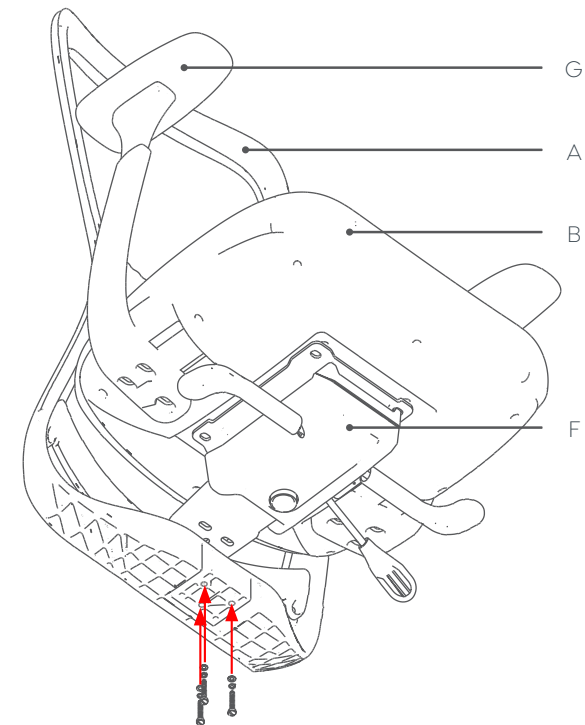
# Flow Chair

## Assembly Instructions

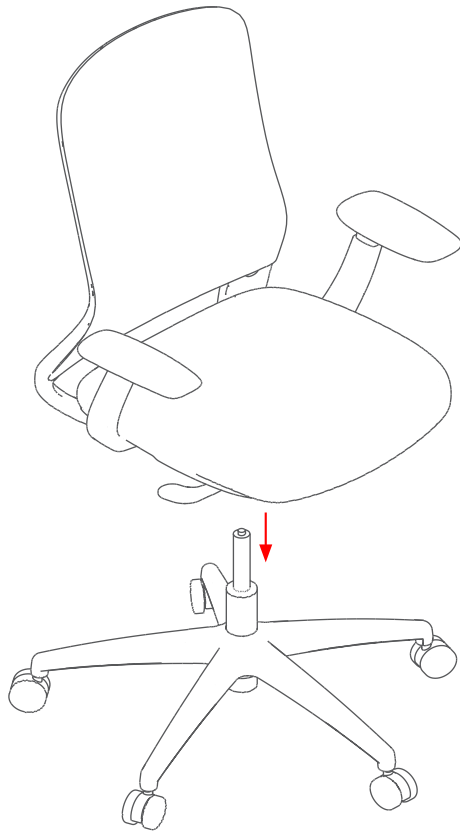
### STEP 3:



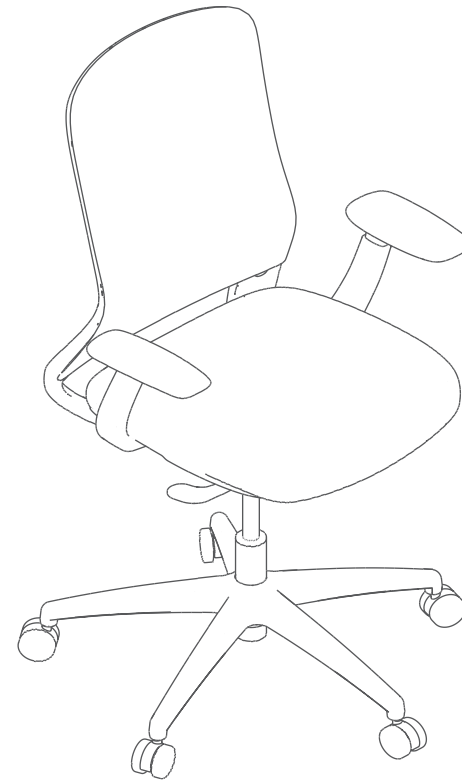
### STEP 4:



## STEP 5:



## Complete:





**Sydney** 02 8188 2732

**Melbourne** 03 9111 0315

**Brisbane** 07 3733 1923

**Adelaide** 08 7111 0810

**Perth** 08 9468 2707

[info@olgoffice.com](mailto:info@olgoffice.com)

[myolg.online](http://myolg.online) | [olgoffice.com](http://olgoffice.com) | [officedesigner.net](http://officedesigner.net) | [motionoffice.com](http://motionoffice.com)