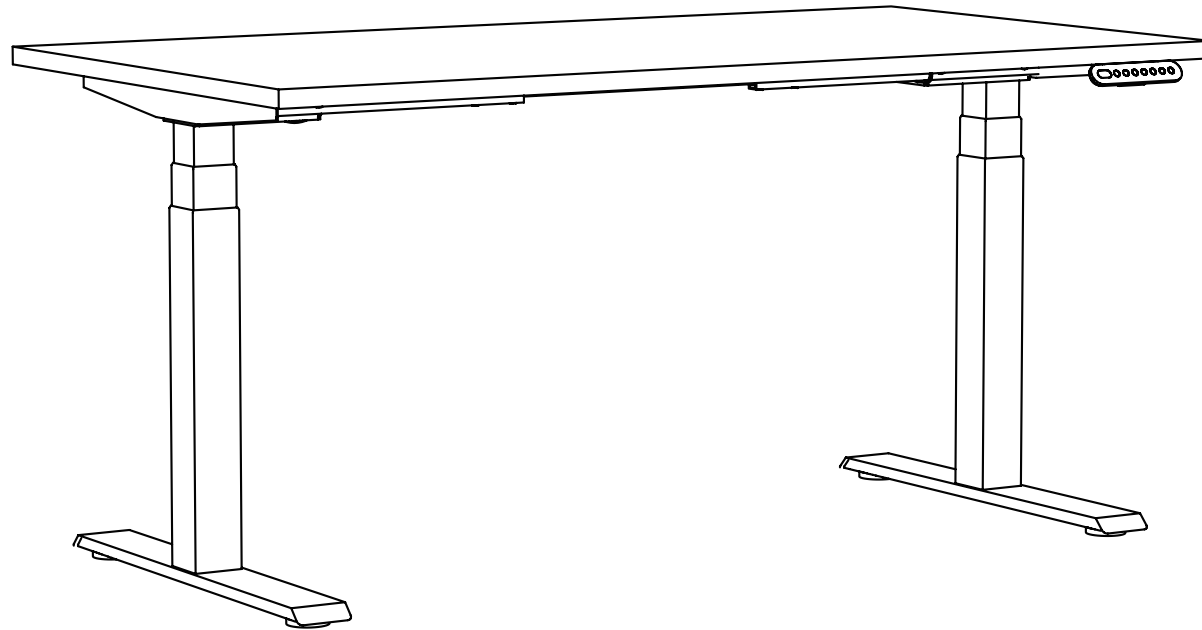


# ELITE OFFICE FURNITURE

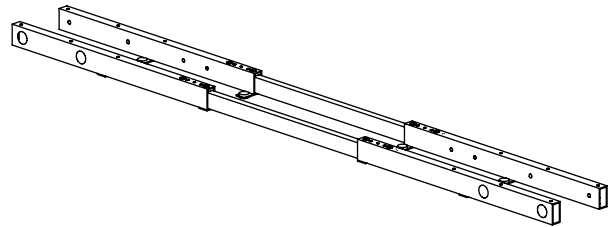


## **Dynamo Plus Single Sided Desk**

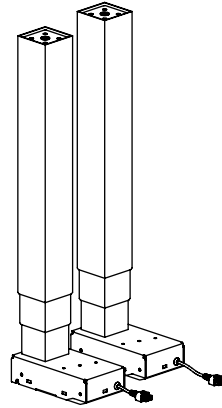
Assembly Instructions

# Dynamo Plus Single Sided Desk

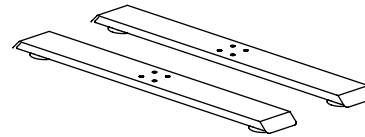
## Components List



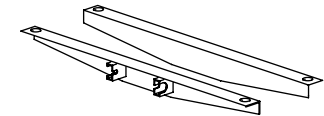
2 x Frame Rails



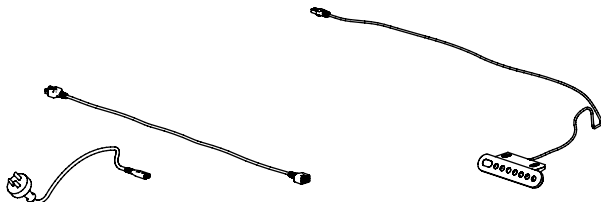
2 x Leg with Motor



2 x Foot with Leveling Feet

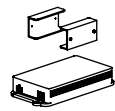


1 x L&R Support Bar (Pair)

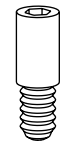


1 x Power Cord

1 x Handset



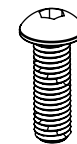
1 x Power Box  
with Brackets



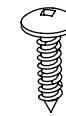
4 x M6x12



4 x M6x10  
Socket Head  
Bolt



8 x M8x20



12 x ST5.0x23

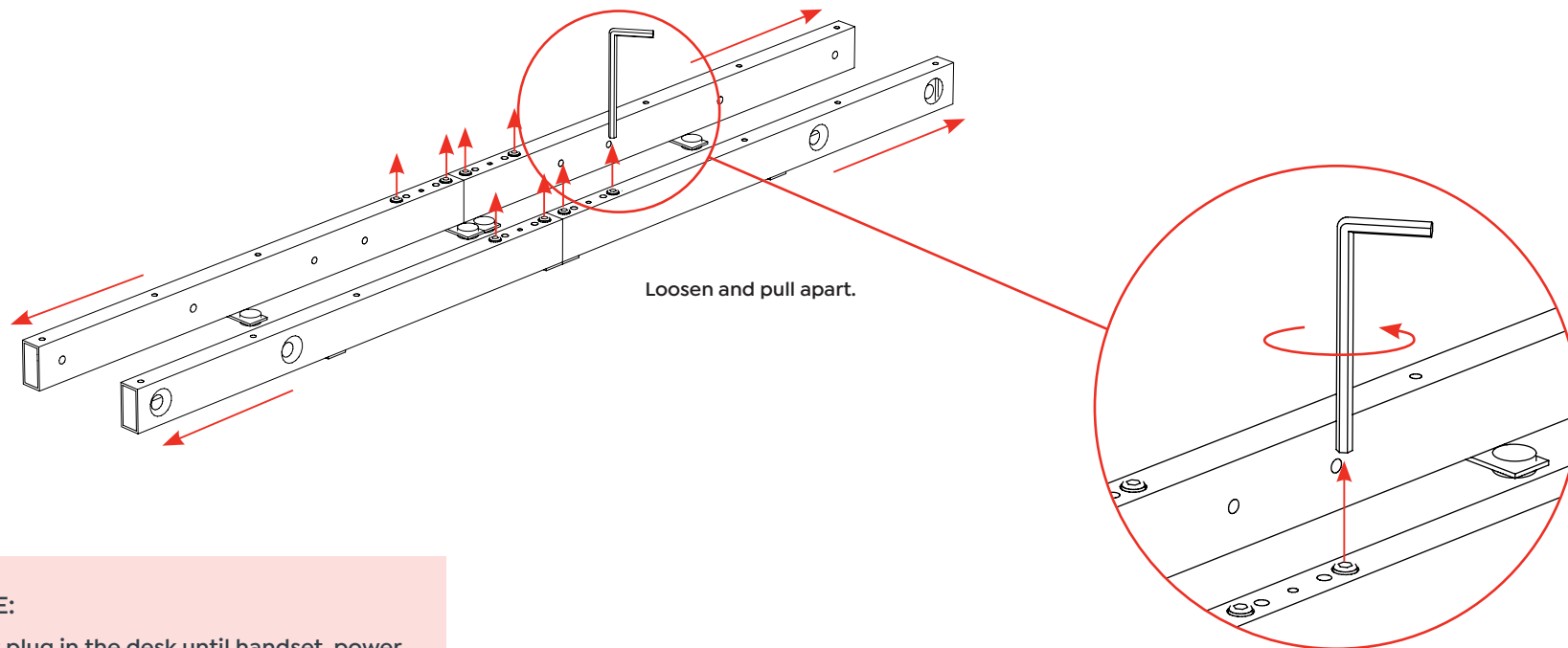


12 x ST4.2x16

# Dynamo Plus Single Sided Desk

Assembly Instructions

## STEP 1:



### NOTE:

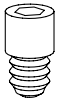
Don't plug in the desk until handset, power box & controller are mounted on to the desk top. It might cause errors.

# Dynamo Plus Single Sided Desk

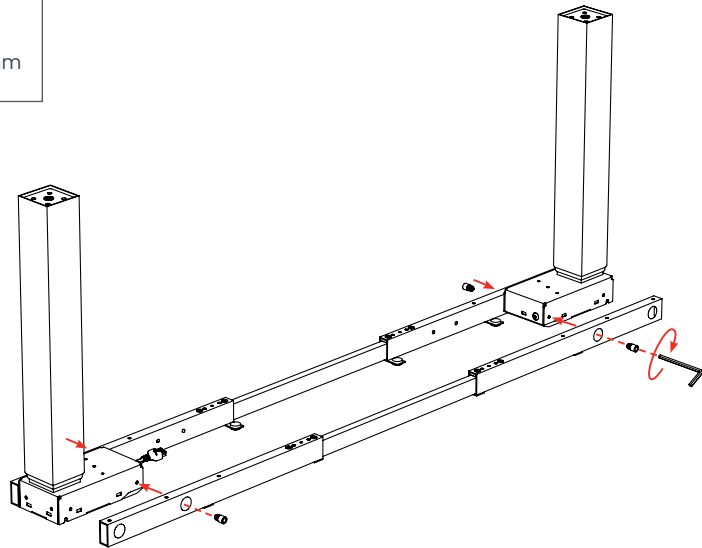
## Assembly Instructions

### STEP 2:

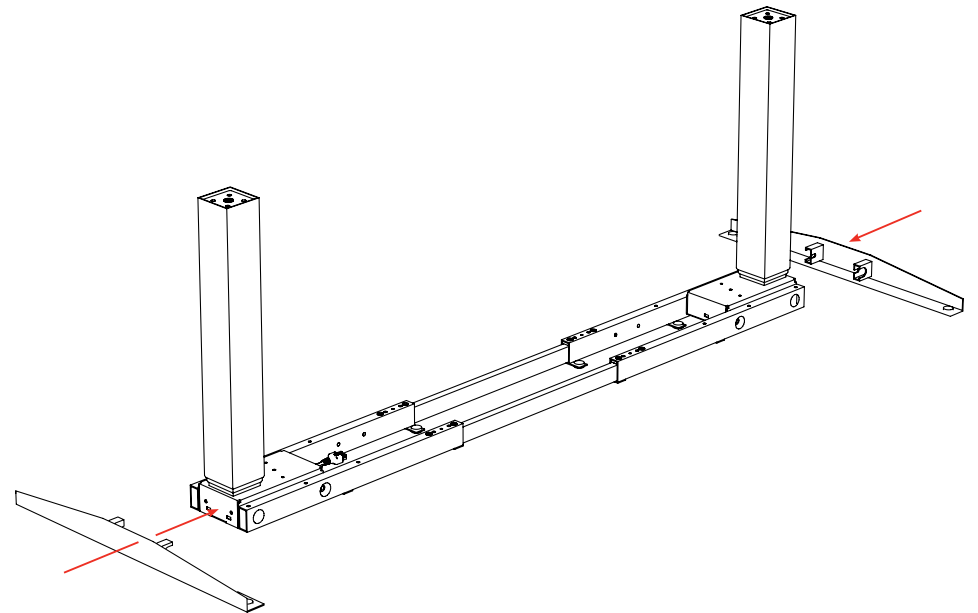
4 pcs



M6x10mm



### STEP 3:



# Dynamo Plus Single Sided Desk

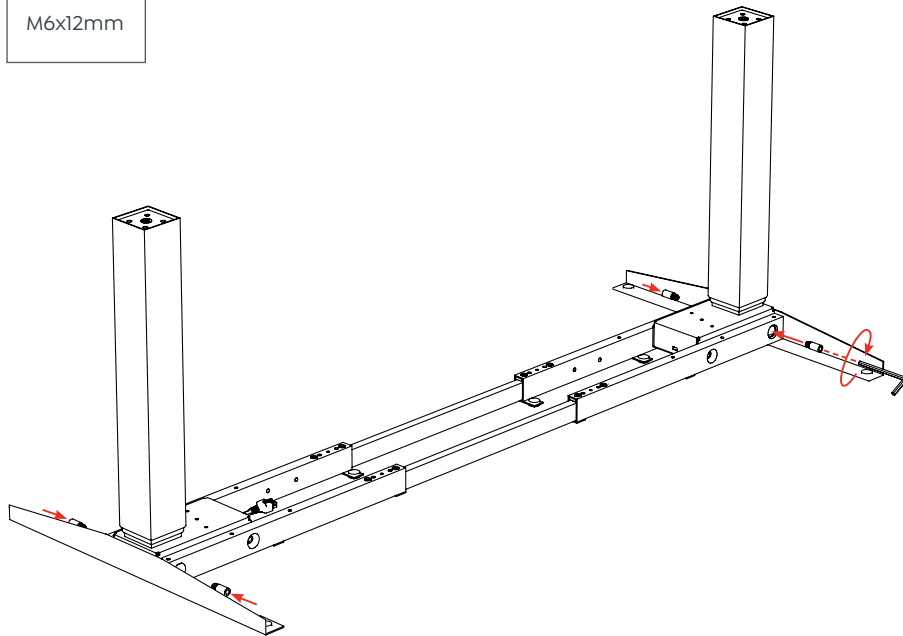
Assembly Instructions

## STEP 4:

4 pcs



M6x12mm

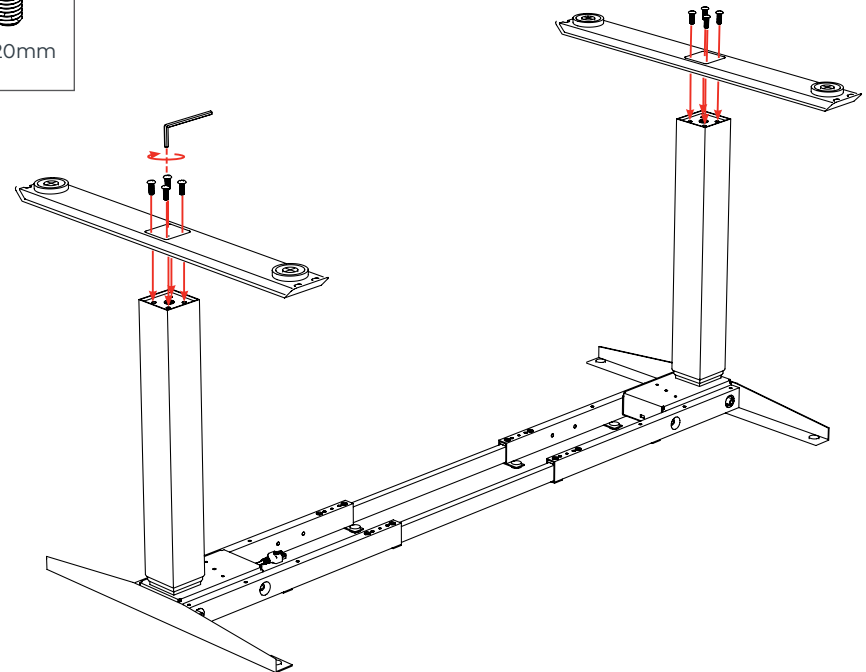


## STEP 5:

8 pcs



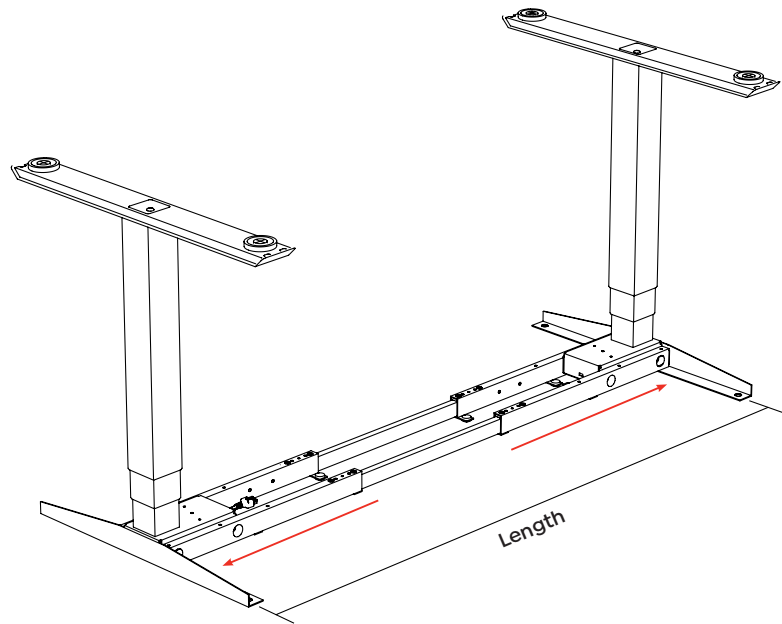
M8x20mm



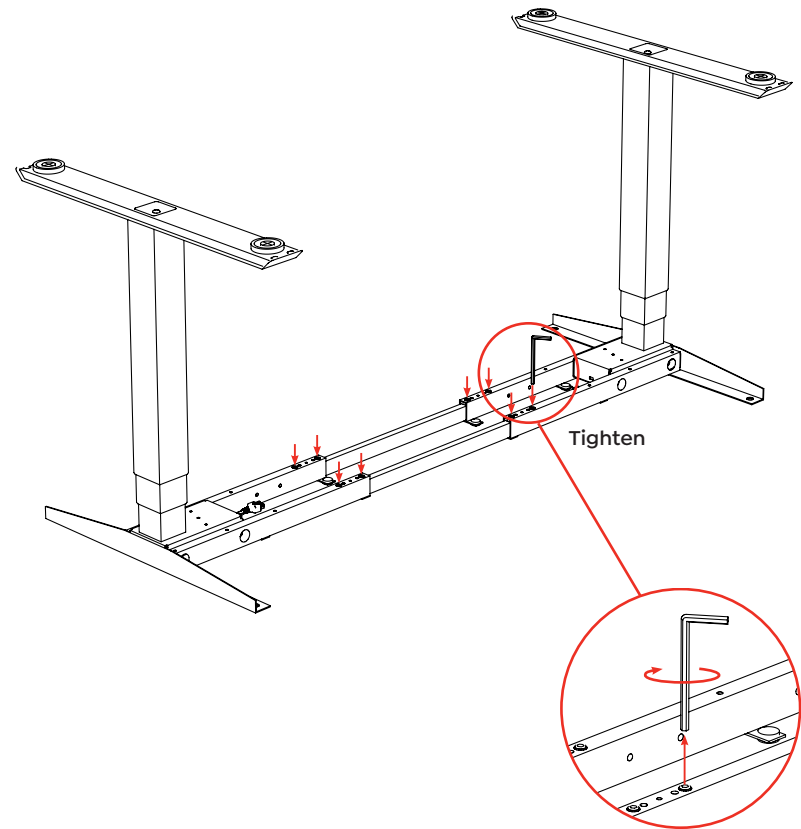
# Dynamo Plus Single Sided Desk

## Assembly Instructions

### STEP 6:



### STEP 7:




Worktop	Length
1200mm	125mm
1500mm	1425mm
1800mm	1725mm

# Dynamo Plus Single Sided Desk

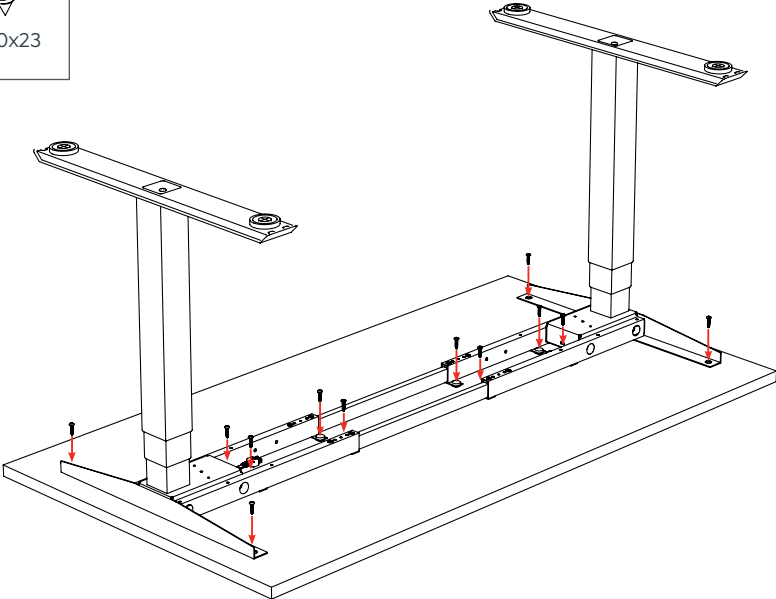
Assembly Instructions

## STEP 8:

12 pcs

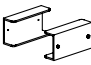


ST5.0x23

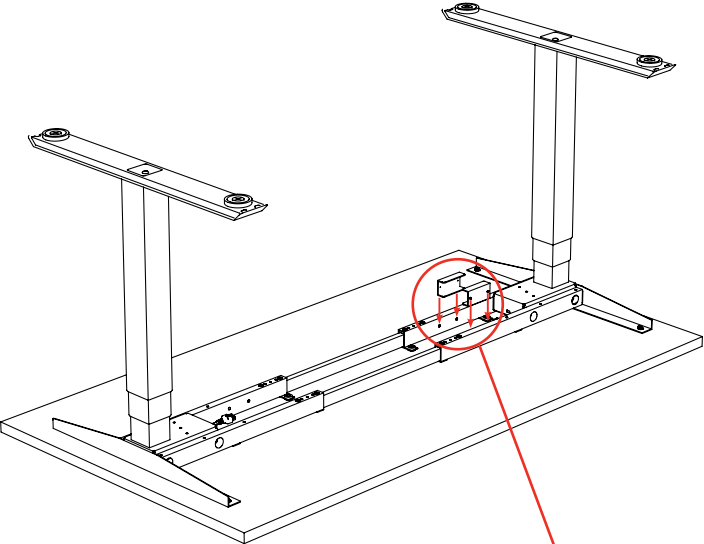


## STEP 9:

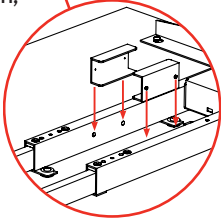
1 Pair



Power Box  
Brackets



Clip brackets in place as shown,  
no screws needed.



# Dynamo Plus Single Sided Desk

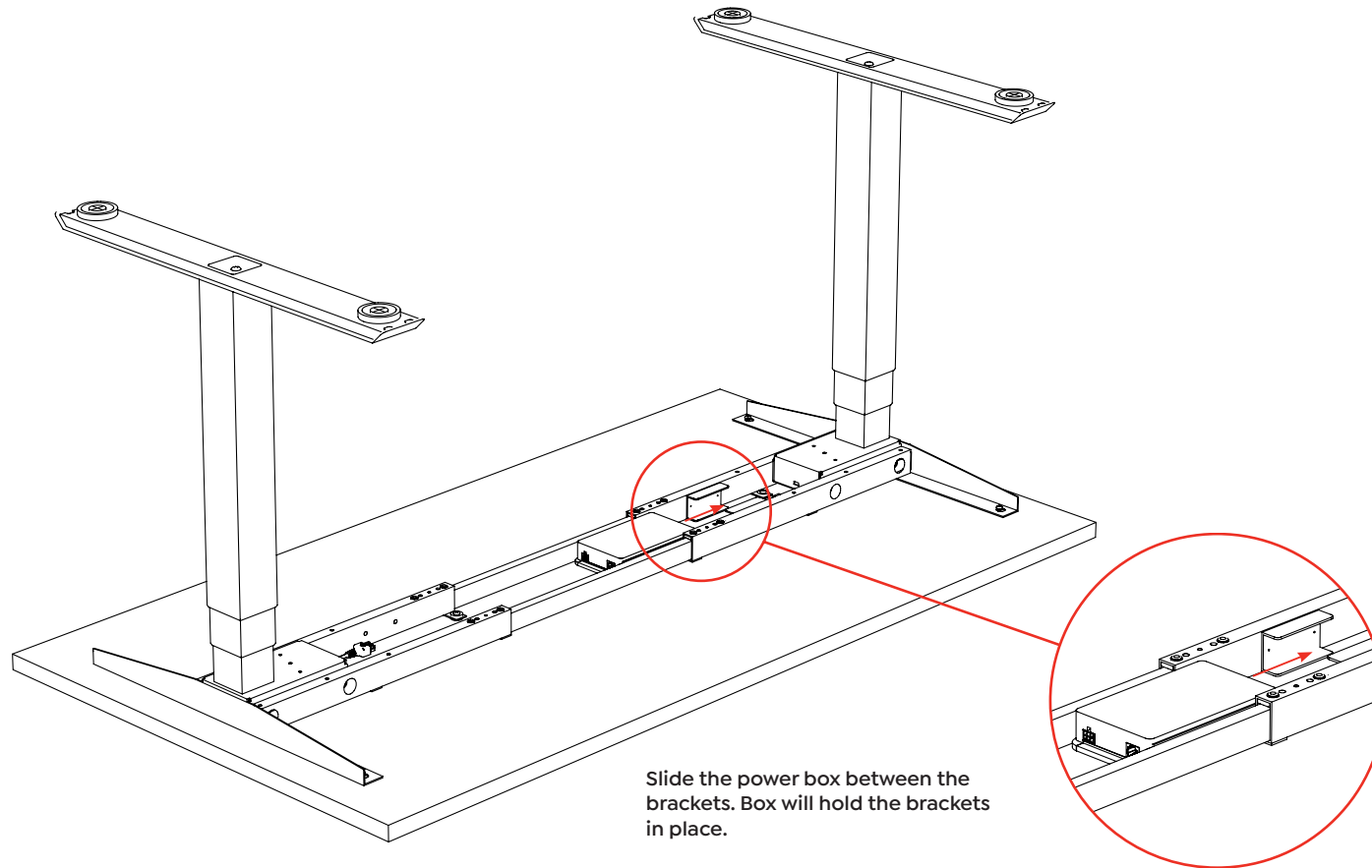
## Assembly Instructions

### STEP 10:

1 pc



Power Box



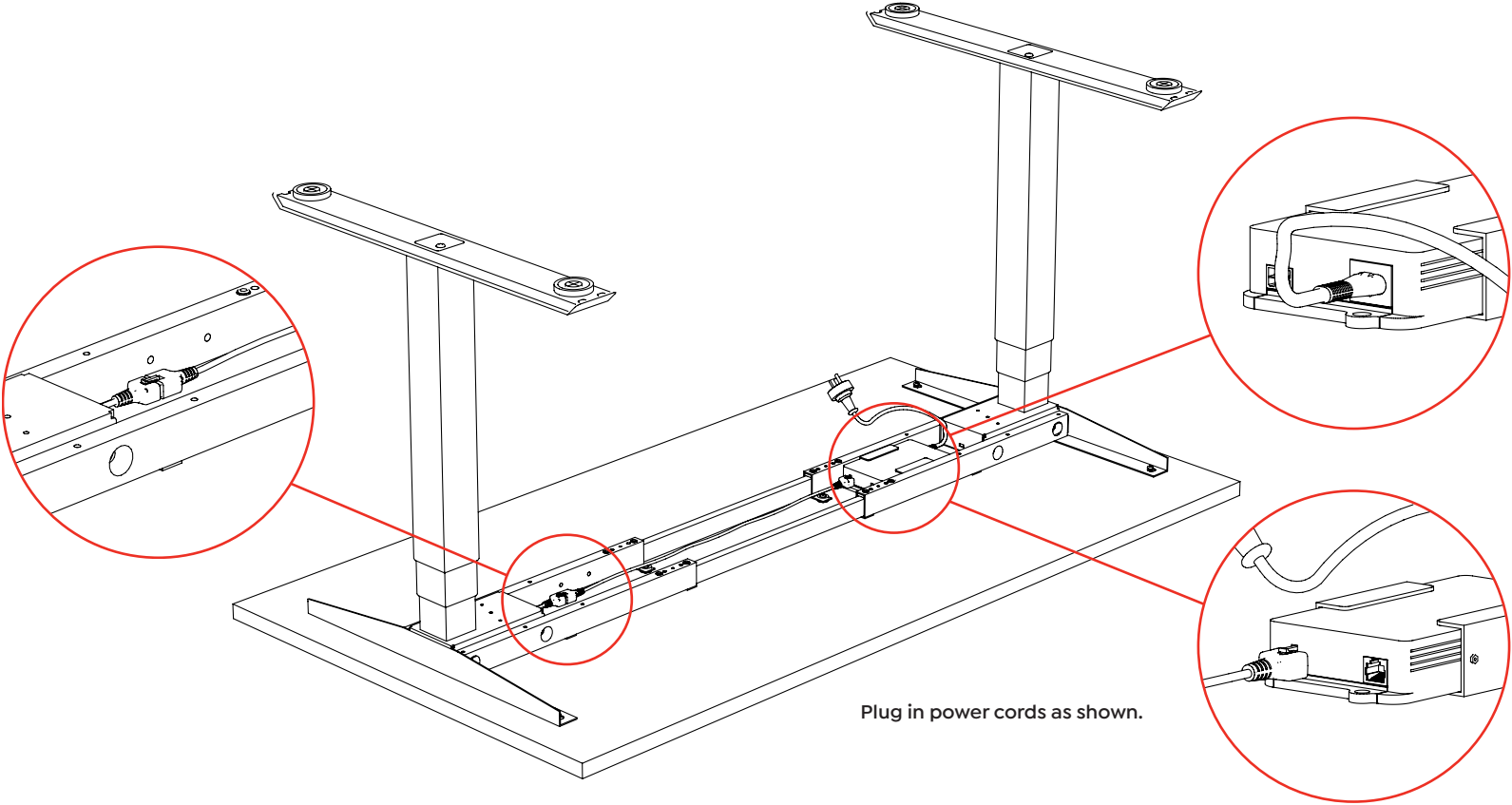
Slide the power box between the brackets. Box will hold the brackets in place.



# Dynamo Plus Single Sided Desk

Assembly Instructions

**STEP 11:**



# Dynamo Plus Single Sided Desk

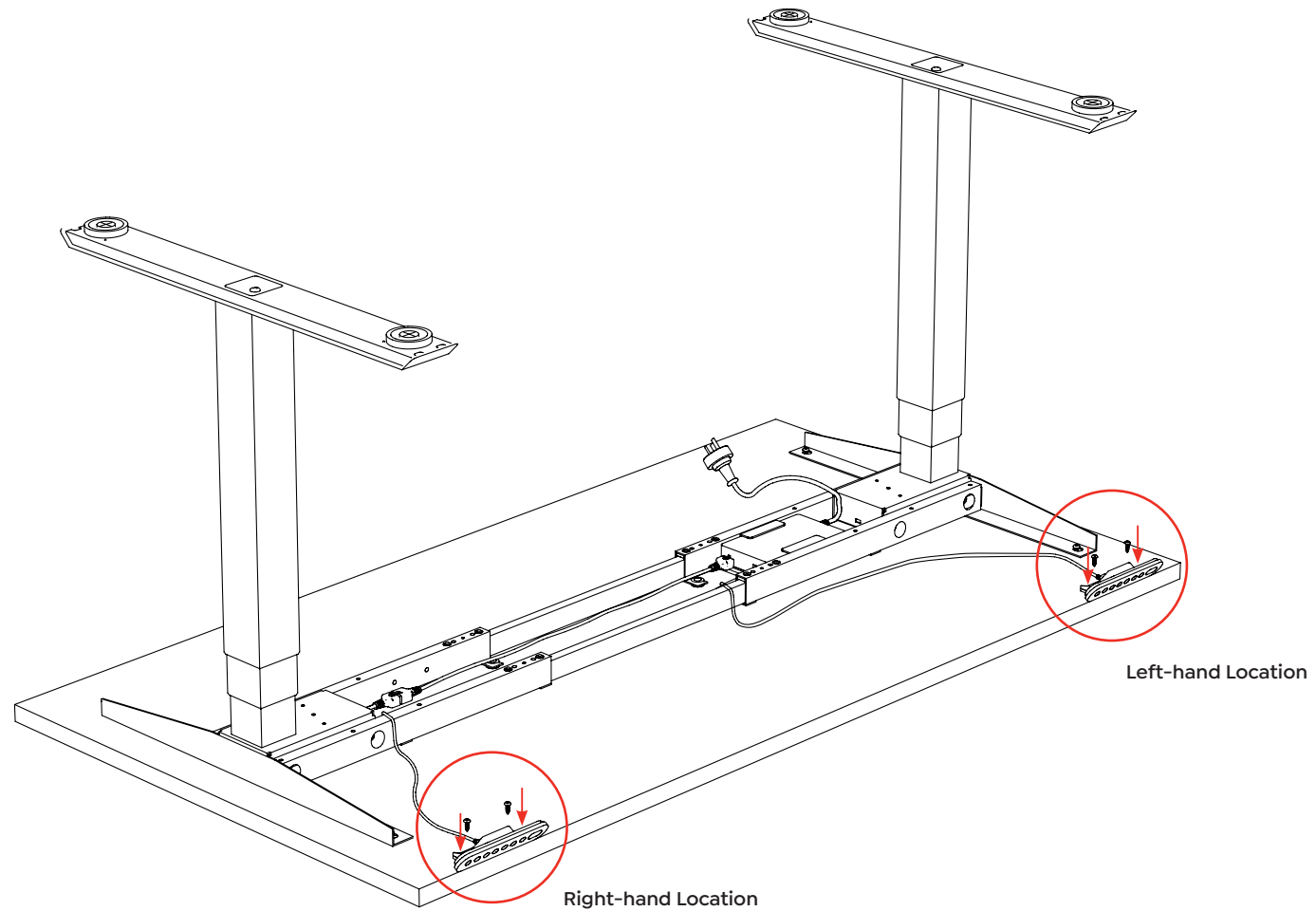
## Assembly Instructions

### STEP 12:

2 pcs



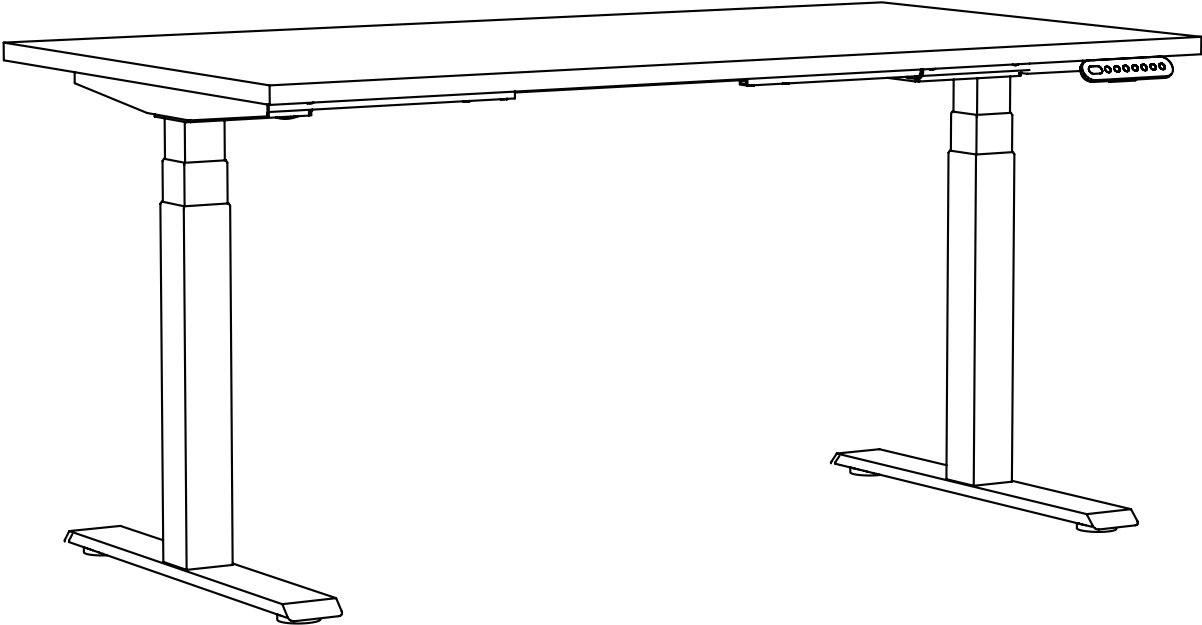
ST4.2x16



# Dynamo Plus Single Sided Desk

Assembly Instructions

Complete:



# Dynamo Plus Single Sided Desk

## Optional SSD Cable Tray - Components List



4 x M6x10  
Button Head  
Screw



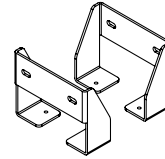
4 x M5x6



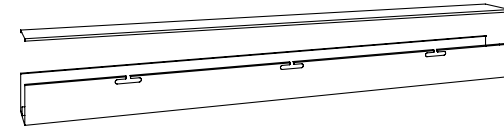
4 x Wood Screws



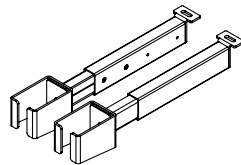
4 x Tek Screws



2 x SSD Tray Mounts

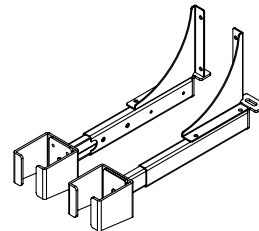


1 x SSD Tray



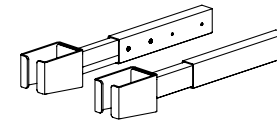
**VSSDBRAC50**  
SSD Screen Brackets L/R Pair

Required if installing  
Tray and Studio50



**VSSDBRAC25**  
SSD Screen Brackets L/R Pair

Required if installing  
Tray and AcoustiQ Screen



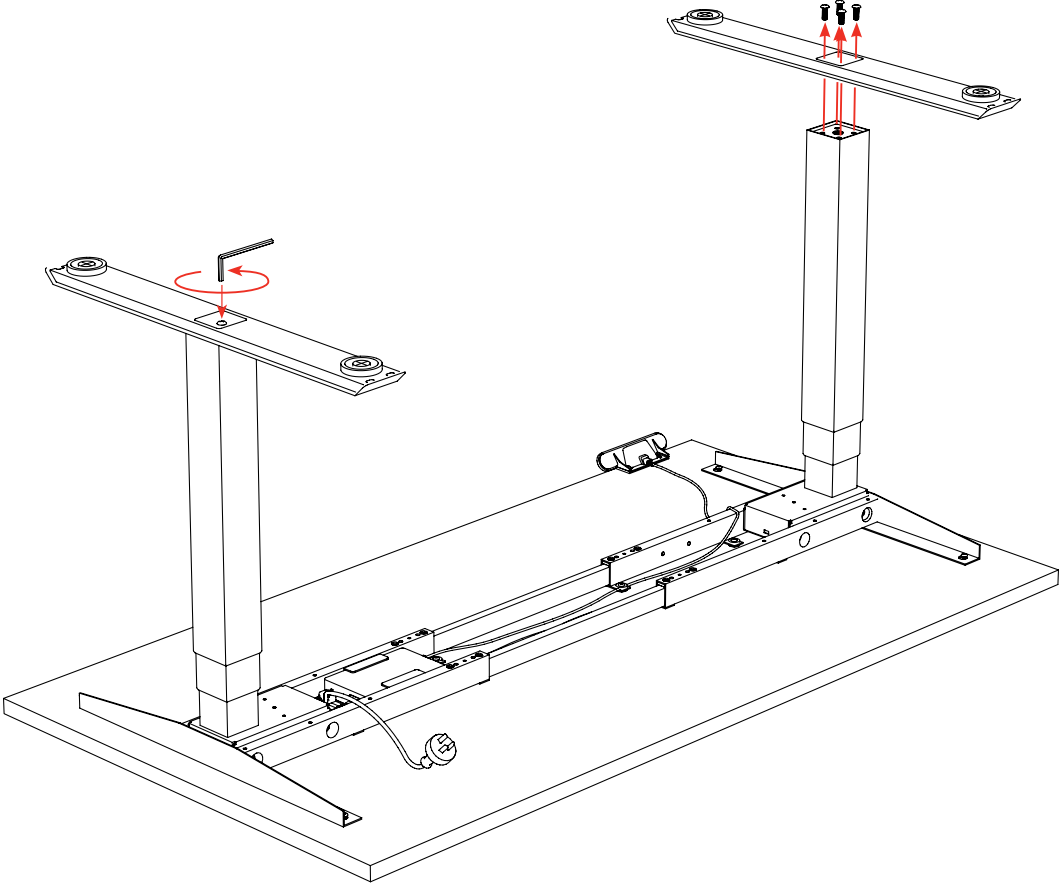
**VSSDBRACCT**  
SSD Cable Tray Brackets L/R Pair

Required if installing  
Tray and NO Screen

# Dynamo Plus Single Sided Desk

Optional SSD Cable Tray - Assembly Instructions

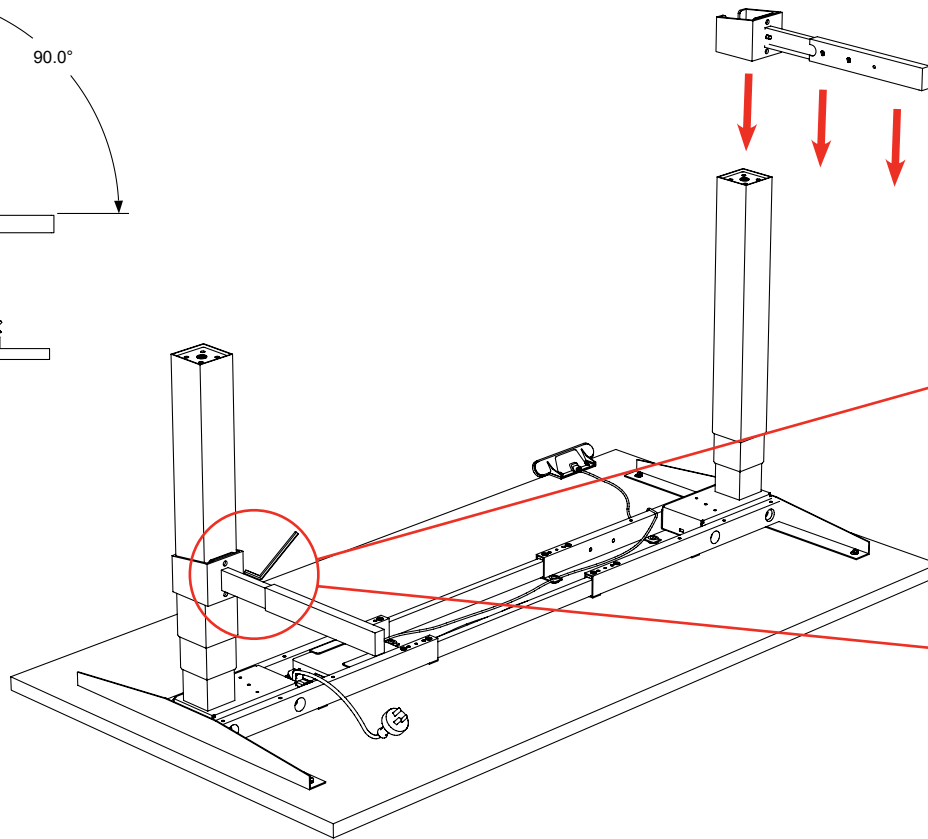
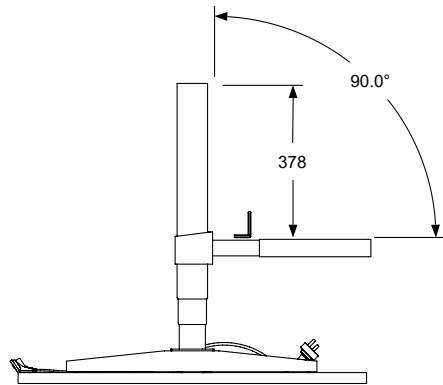
## STEP 1:



# Dynamo Plus Single Sided Desk

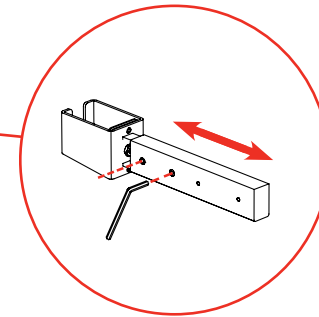
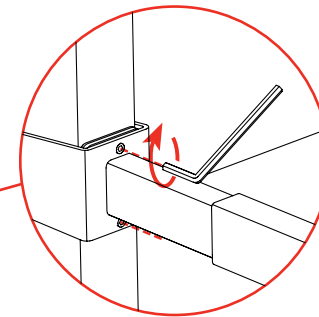
Optional SSD Cable Tray - Assembly Instructions

## STEP 2:



### NOTE:

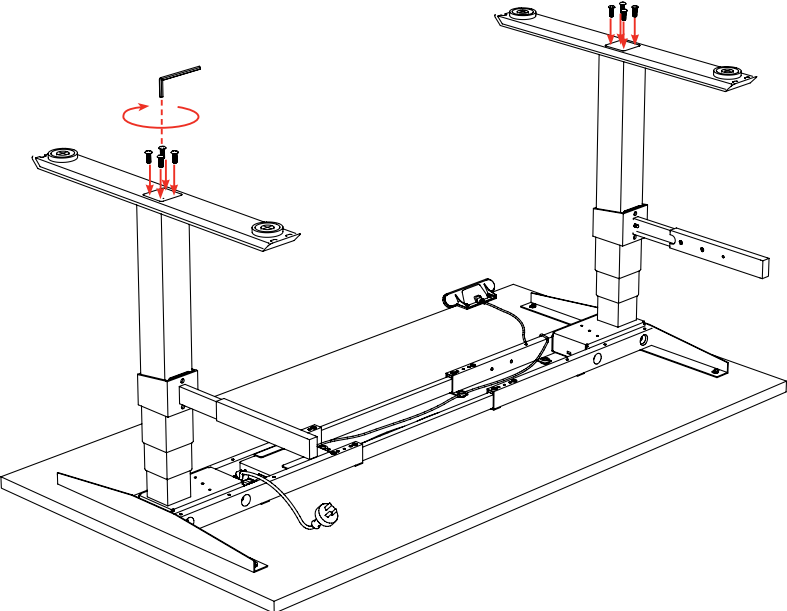
Do not over tighten as this may cause desk malfunction.



# Dynamo Plus Single Sided Desk


Optional SSD Cable Tray - Assembly Instructions

### STEP 3:

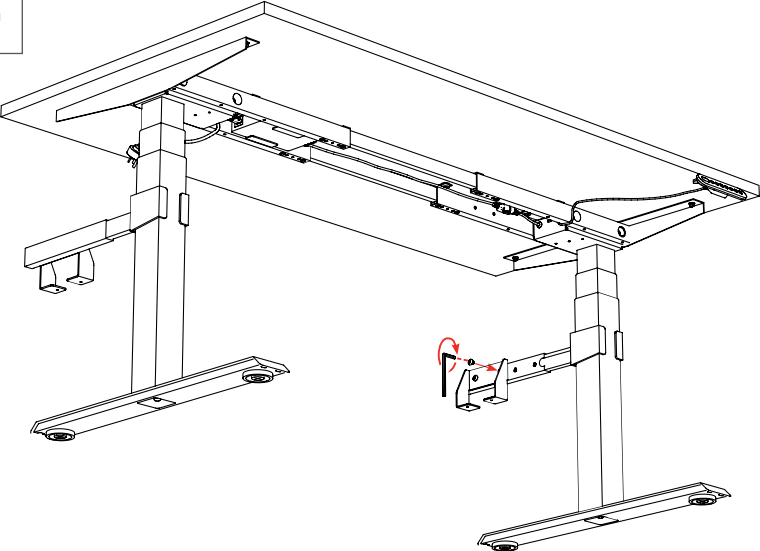


### STEP 4:

5 pcs



M6x10mm



# Dynamo Plus Single Sided Desk

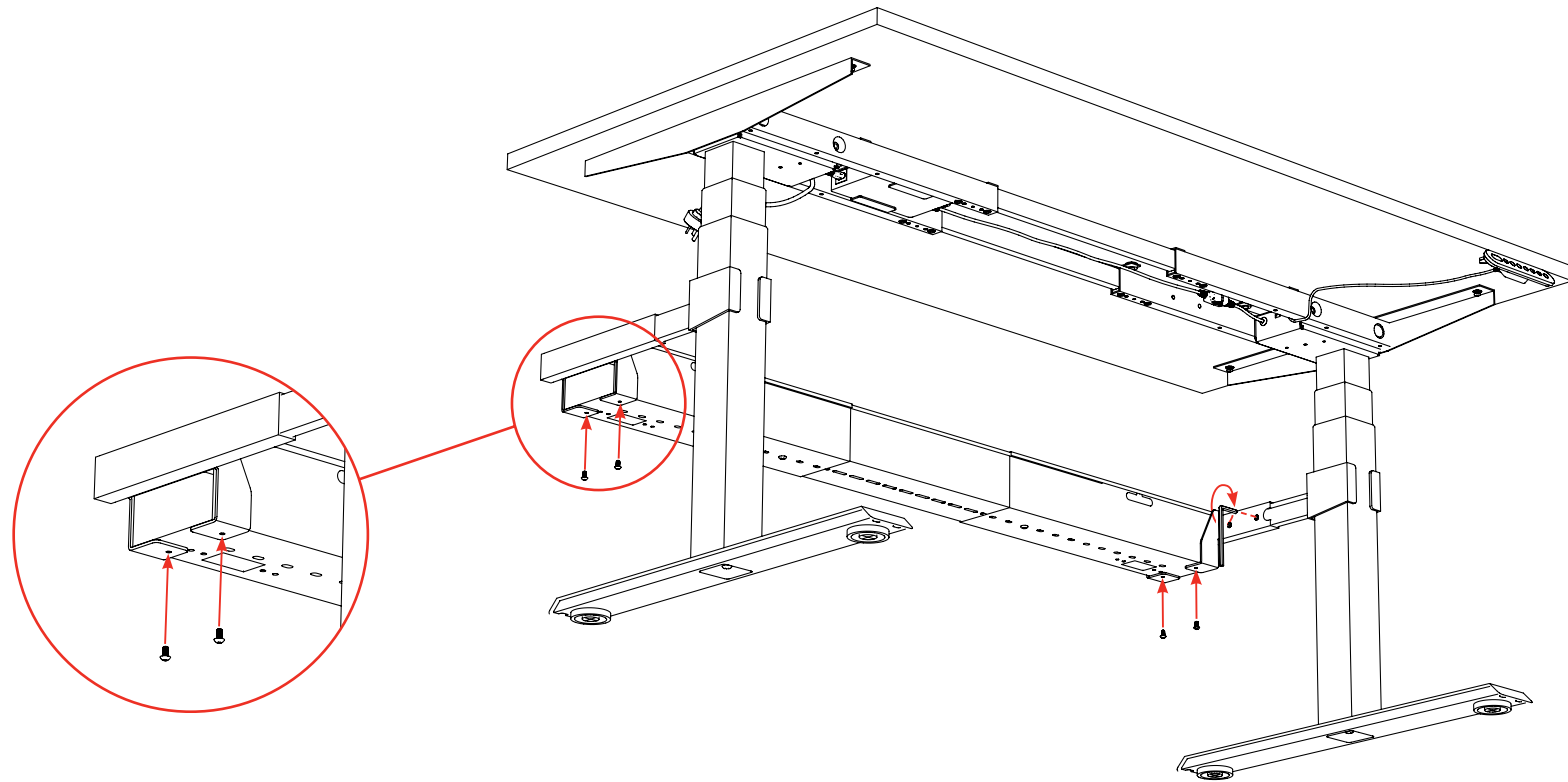
Optional SSD Cable Tray - Assembly Instructions

## STEP 5:

4 pcs



M5x6mm

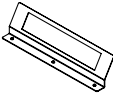
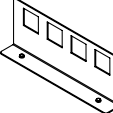



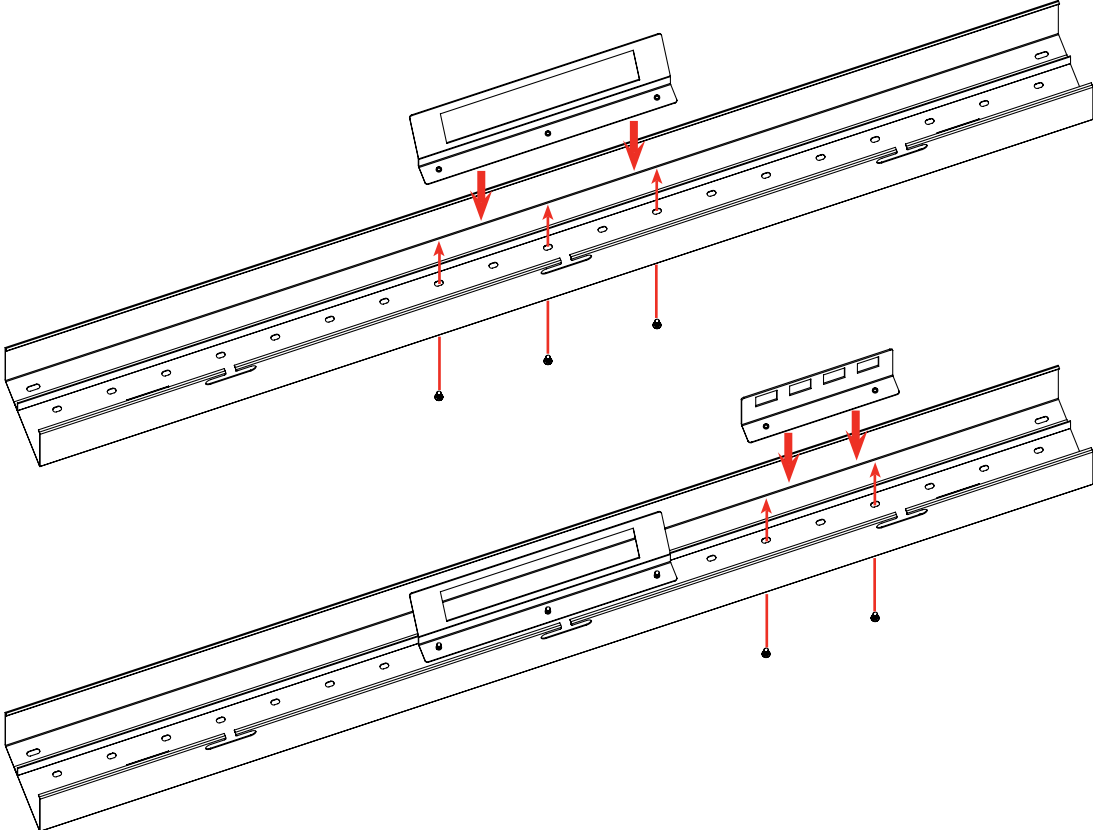


# Dynamo Plus Single Sided Desk

Optional SSD Cable Tray - Assembly Instructions

## STEP 6:

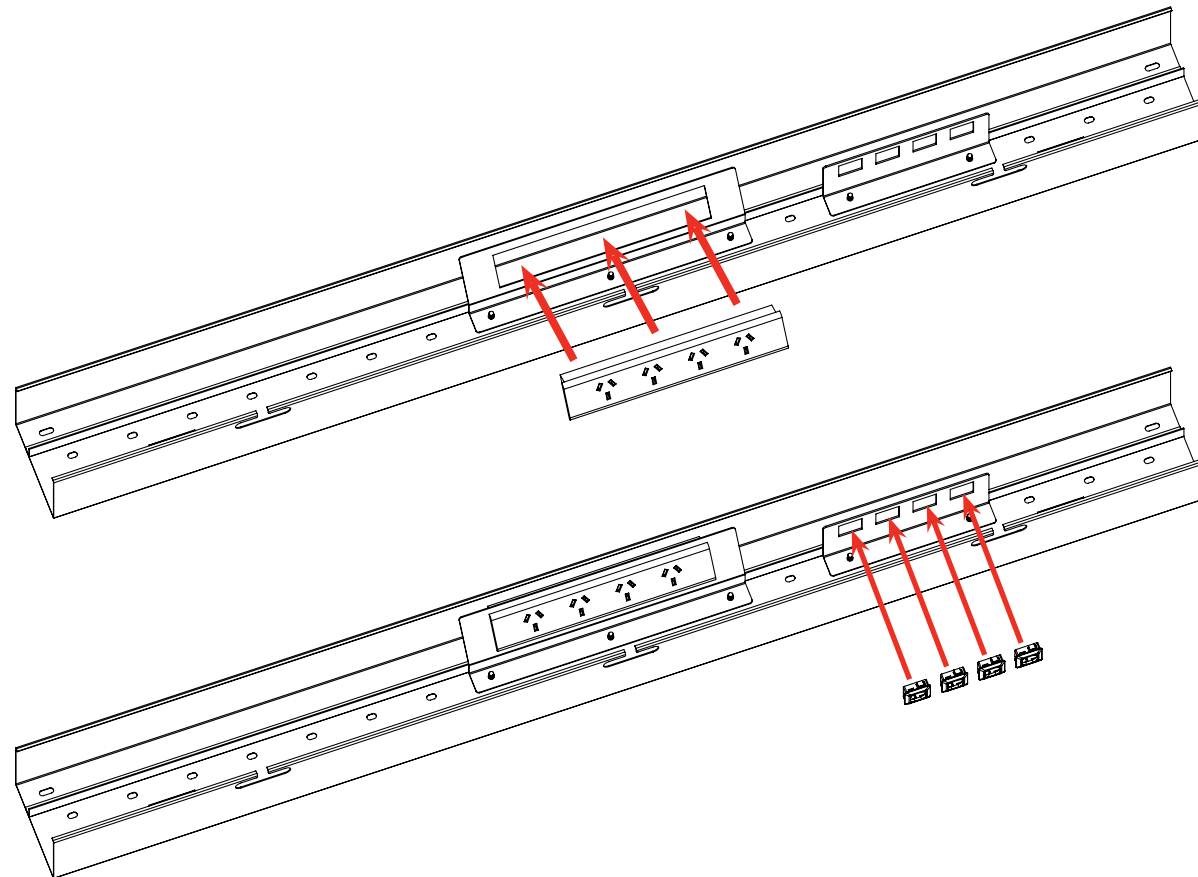
- 1 pc  
  
Power Plate
- 1 pc  
  
Data Plate
- 5 pcs  
  
Screws



# Dynamo Plus Single Sided Desk

Optional SSD Cable Tray - Assembly Instructions

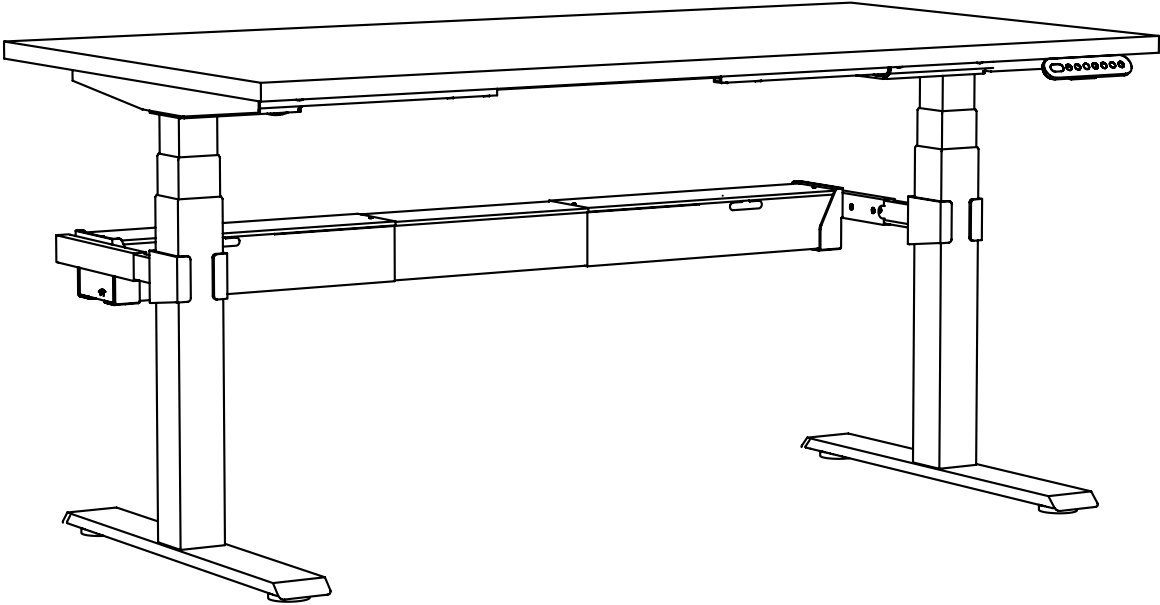
## STEP 7:



# Dynamo Plus Single Sided Desk

Optional SSD Cable Tray - Assembly Instructions

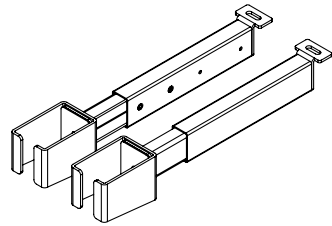
Complete:



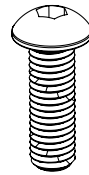
# Dynamo Plus Single Sided Desk

Optional Studio50 or AcoustiQ Screen - Components List

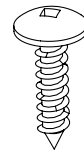
## PARTS - STUDIO50



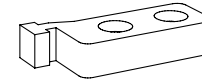
SSD Screen Brackets  
L/R Pair



2 x M8x25

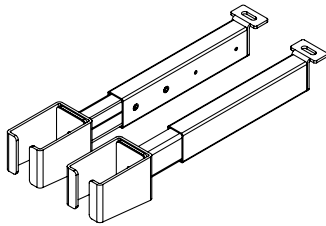


4 x ST5.0x23

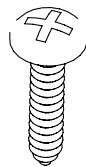


2 x Stabilizing Bracket

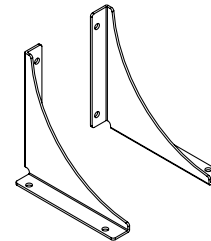
## PARTS - ACOUSTIQ SCREEN



SSD Screen Brackets  
L/R Pair



Tapping Screw  
4 x 6.3x25



STUSWB150  
x Left/Right Pair

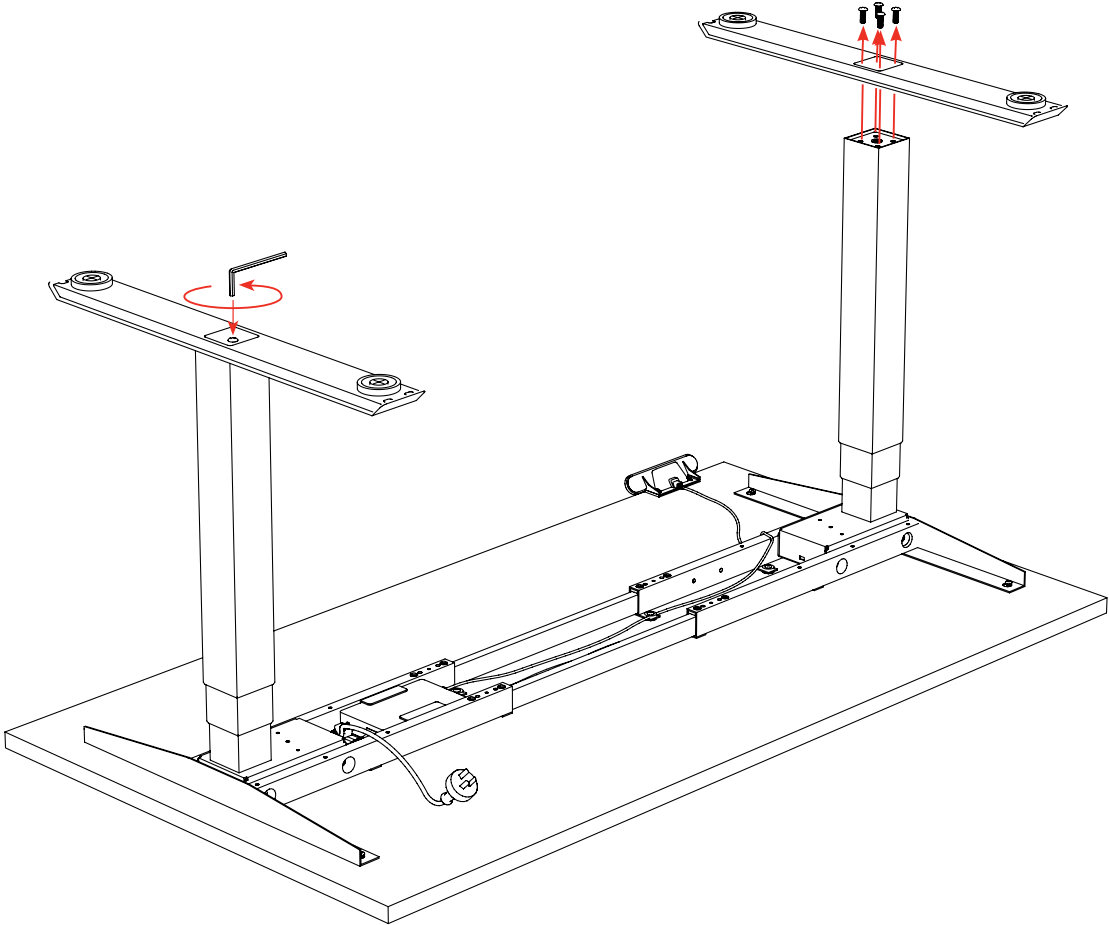


4 x Tek Screws

# Dynamo Plus Single Sided Desk

Optional Studio50 or AcoustiQ Screen - Assembly Instructions

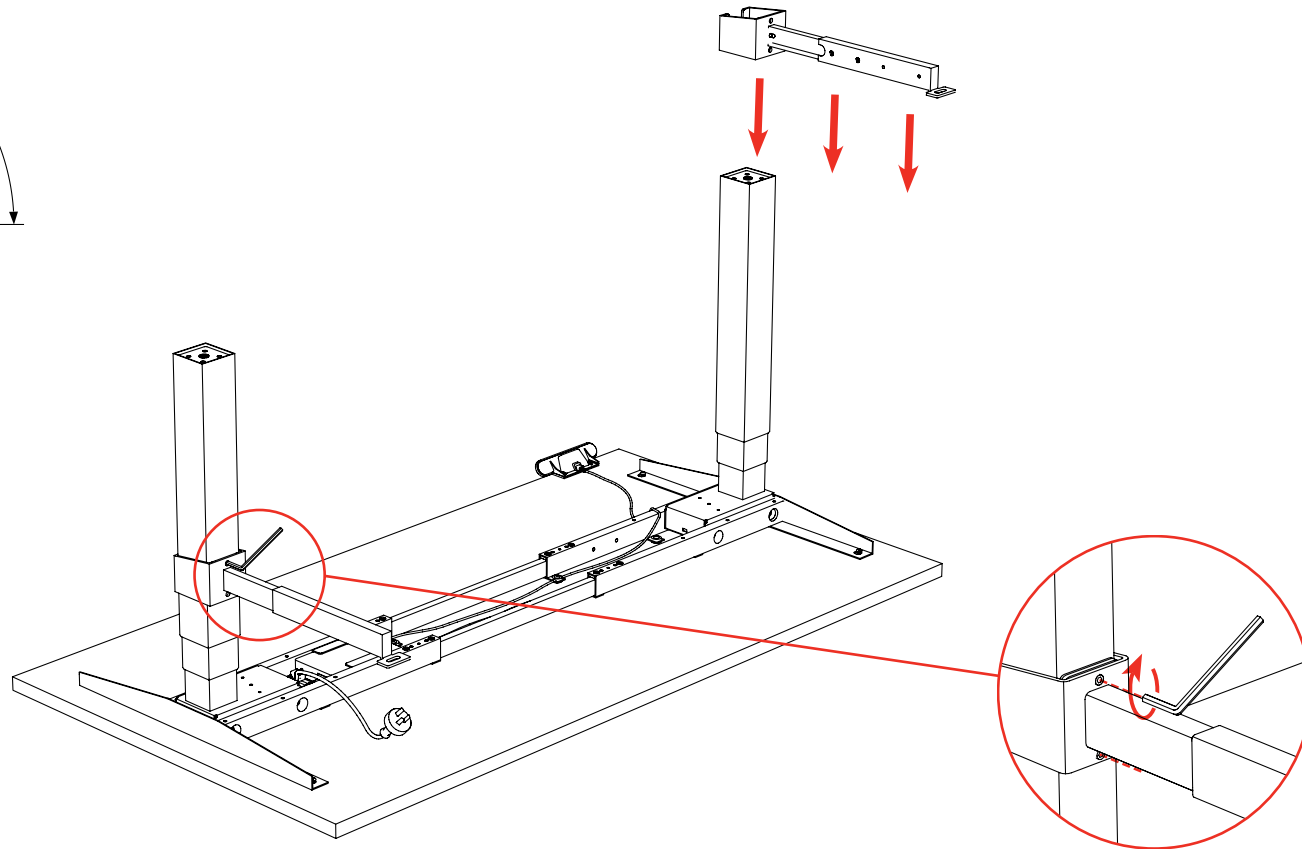
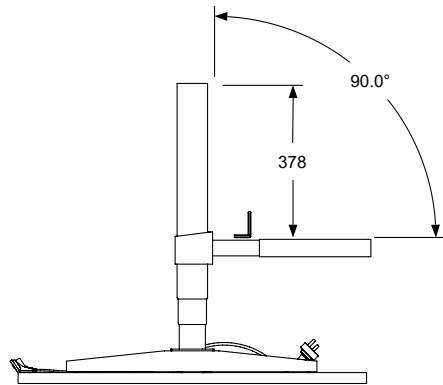
**STEP 1:**



# Dynamo Plus Single Sided Desk

Optional Studio50 or AcoustiQ Screen - Components List

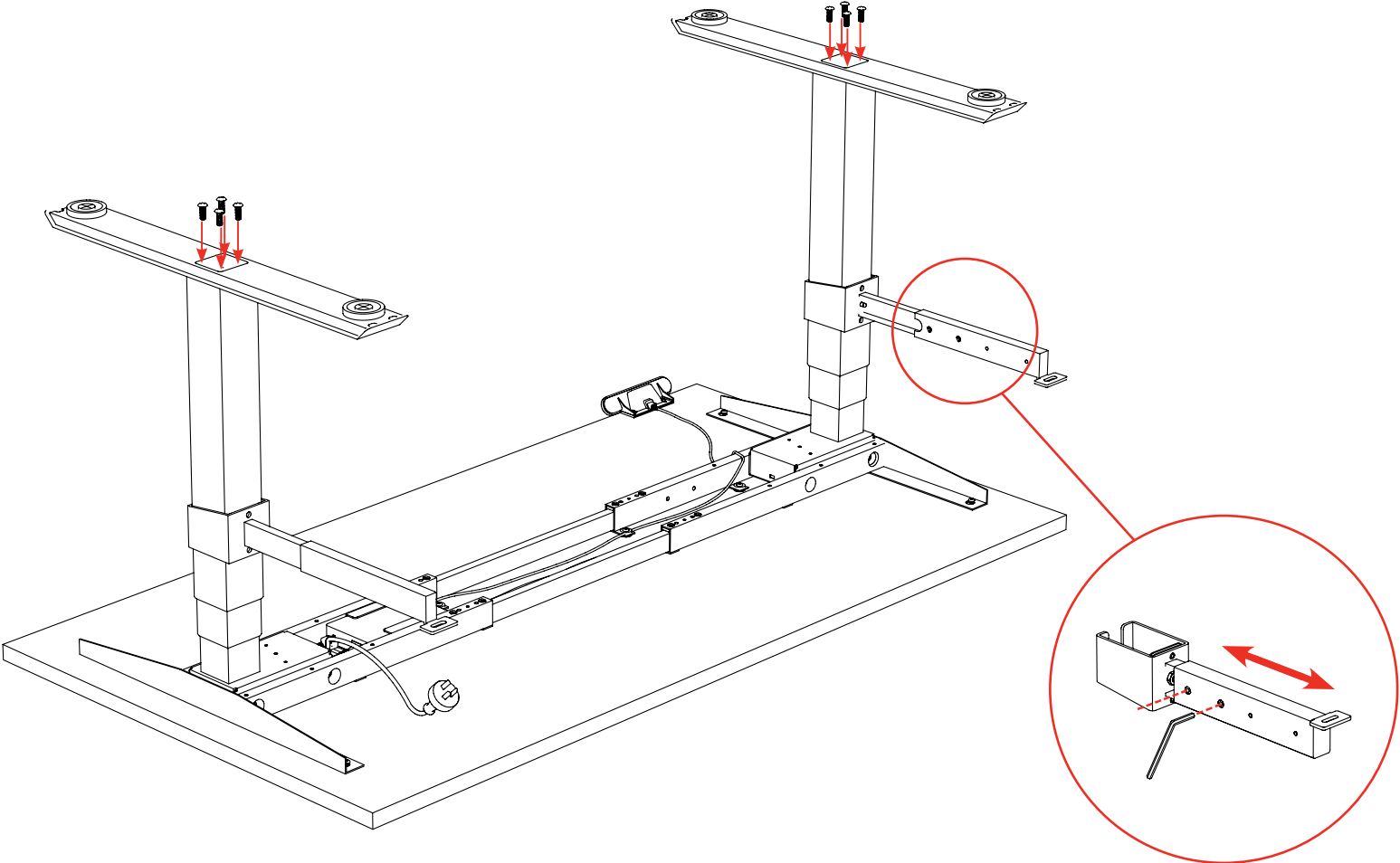
## STEP 2:



# Dynamo Plus Single Sided Desk

Optional Studio50 or AcoustiQ Screen - Assembly Instructions

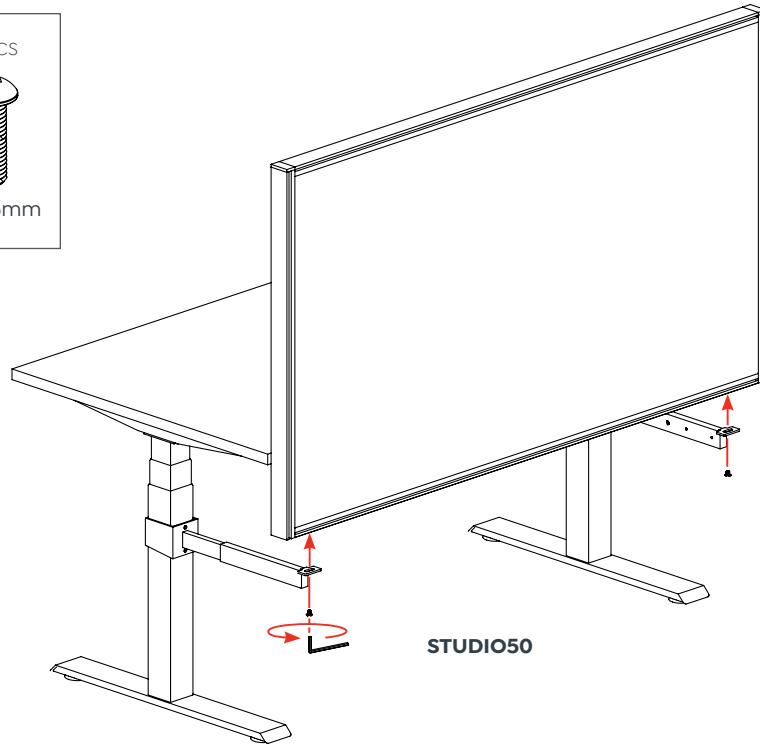
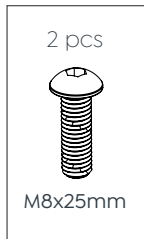
**STEP 3:**



# Dynamo Plus Single Sided Desk

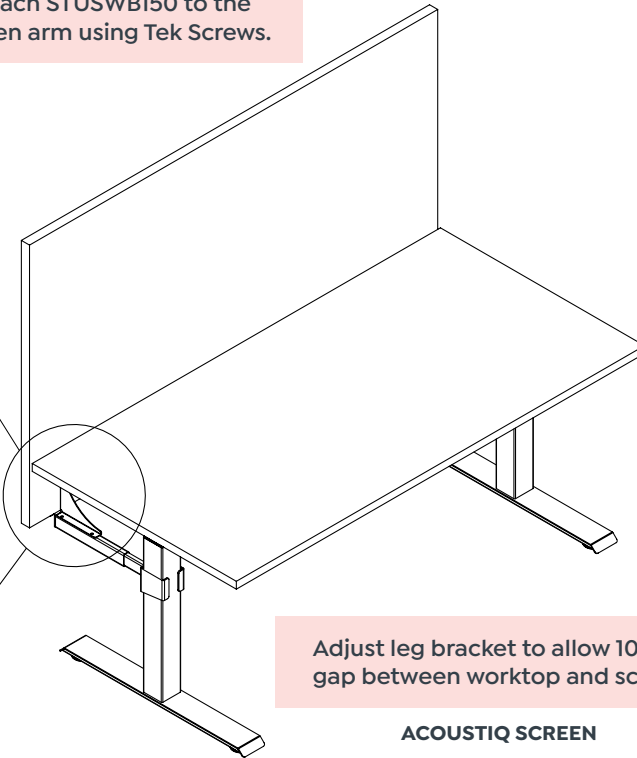
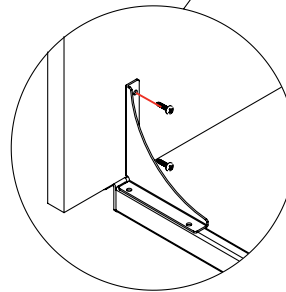
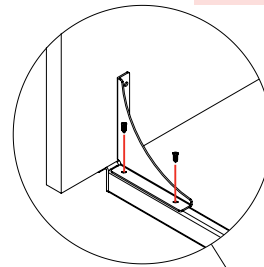
Optional Studio50 or AcoustiQ Screen - Components List

## STEP 4:



2. Attach STUSWB150 to the screen using Tapping Screws.

1. Attach STUSWB150 to the screen arm using Tek Screws.

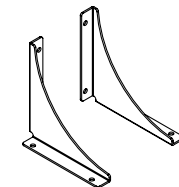


Adjust leg bracket to allow 10mm gap between worktop and screen.

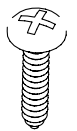
### ACOUSTIQ SCREEN



4 x Tek Screws



SSD Screen Brackets  
L/R Pair



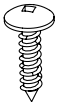

Tapping Screw  
4 x 6.3x25

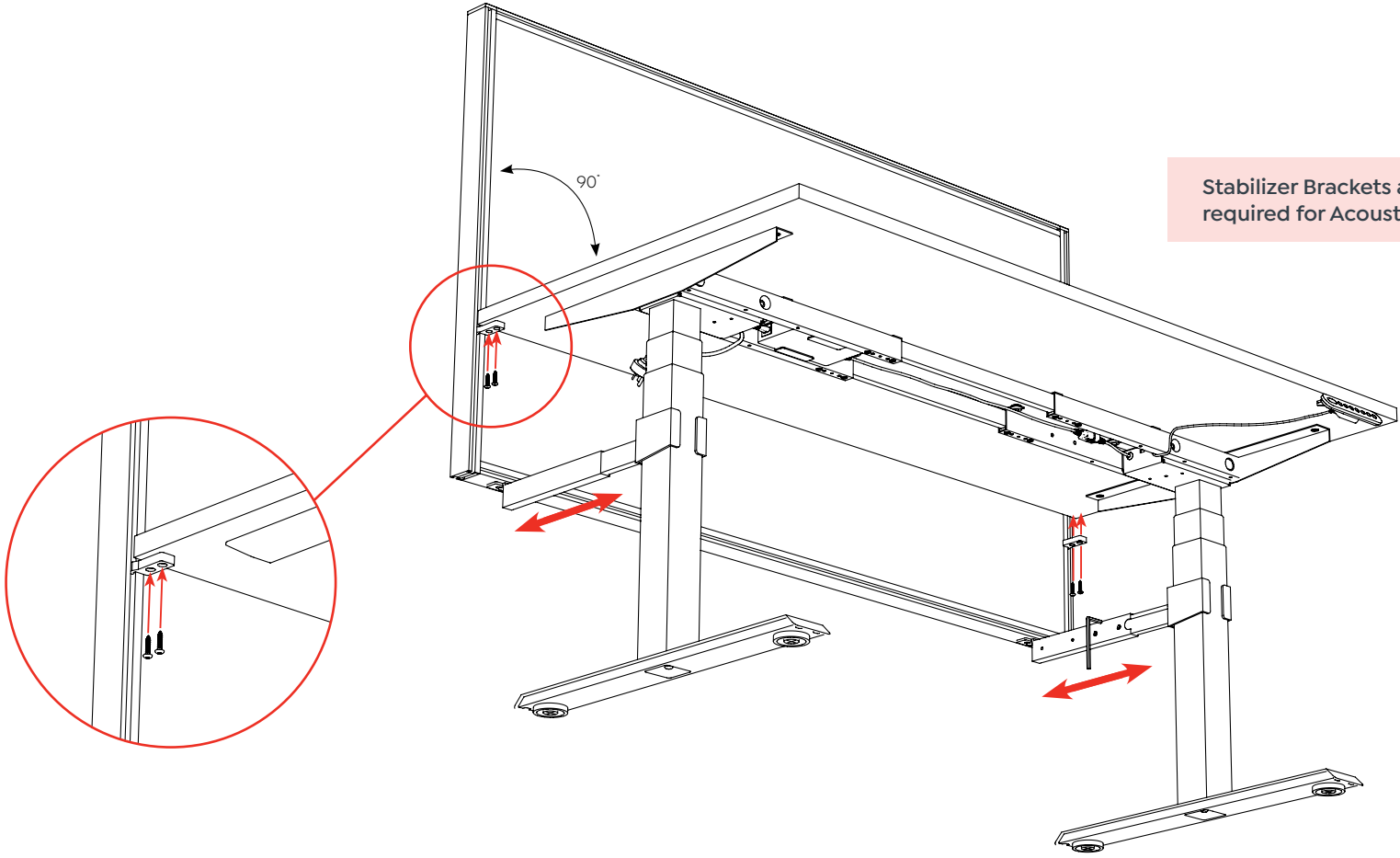


# Dynamo Plus Single Sided Desk

Optional Studio50 or AcoustiQ Screen - Assembly Instructions

## STEP 5:

- 4 pcs  
  
ST5.0x23
- 2 pcs  
  
Stabilizing Bracket

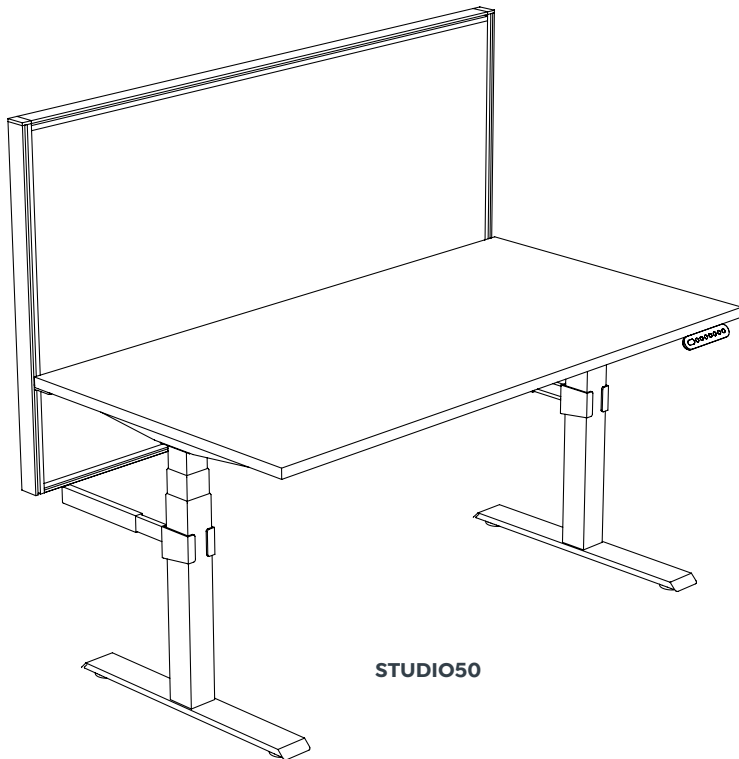


Stabilizer Brackets are not required for AcoustiQ Screens.

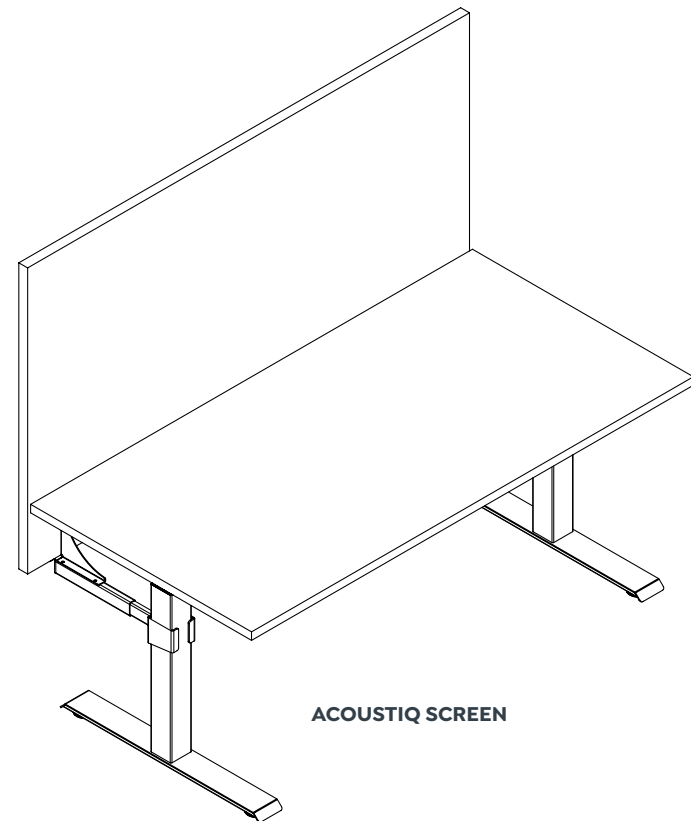
# Dynamo Plus Single Sided Desk

Optional Studio50 or AcoustiQ Screen - Components List

**Complete:**



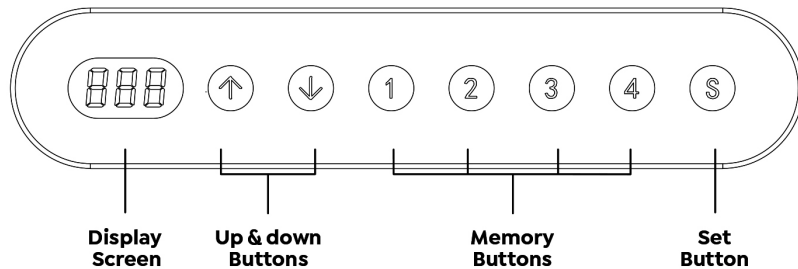
**STUDIO50**



**ACOUSTIQ SCREEN**

# Dynamo Plus Single Sided Desk

## Electric Digital Handset Functions – Operational Instructions



The whole handset surface is a button panel. If there is no press within 30 seconds, the screen is locked and 1/2/3/4/S buttons are locked correspondingly, you should press Up or Down key first, it can be used when the display screen light up.

### OPERATION

- **Display Screen** – Shows current height of desk.
- **Up and Down Button** – Press and hold the “UP” or “DOWN” button to adjust desk height until you reach an optimum height.
- **How to Set Memory Buttons** – Adjust desk to preferred height using “UP” & “DOWN” buttons. Press and hold a memory button for 5 seconds until you hear a beep, the memory height is now saved.
- **Memory Buttons** – After setting memory buttons, the desk will auto adjust to the saved height.
- **Set Button** – Auto adjusts desk height to 72cm. This height is the standard optimum height when sitting.

### FACTORY RESET

Restore the Factory Settings: When the desk is assembled for the first time, a new controller is installed or the parameters need to be restored to the factory settings, press the “DOWN” and “UP” buttons simultaneously, you will hear the first “beep” after about 5 seconds and a second “beep” after 10 seconds. When the display screen shows “RST”, please refer to “Calibration Step 1” below.

### CALIBRATION

1. When “RST” is on the display screen, press the “DOWN” button until the desk frame reaches its lowest point. After hearing a “beep” and desk frame rebounds, calibration is completed (Note: The button cannot be released during this operation, otherwise the calibration will fail).
2. Forced Calibration: Press the “DOWN” button until the desk frame reaches its lowest point, then release the button and press it again for about 5 seconds until hear a “beep” and desk frame rebounds, and the calibration is completed.

### SAFETY FUNCTION

When the desktop is moving up or down and encounters reverse resistance, the desk will rebound.

### ERROR CODES

Error and Fault	Solution
E01, E06, E07 = Power Fault	Power off and restart. If fault still exists there is a motor problem.
E02 = Synchro Height Over 10mm	Implement the calibration step 1.
E04 = Handset Fault	Unplug and replug the cable of hand set. Power off and restart.
E05 = Anti-collision Alert	Rebound reminder, normal condition.
E08 = Desktop Sloping	Check the desktop.
E11, E21, E40, E41 = Connection Cable Failure	Check the connecting cable.
E12, E22, E42, E43 = Controller Fault	Exchange the controller.
E14–E17, E24–E27 = Motor Fault	Change motor.
E18, E28 = Overloading	Reduce the loading.
Hot = Overload Power Protection	Automatic recovery after stop using for 20 minutes.

### ADVANCED FUNCTION SETTINGS

**Limited Height Setting:** Press “UP” and “DOWN” buttons for 5 seconds until you hear a ‘beep’, limited height setting success.

(minimum limited height < 96, maximum limited height > 97).

**Cancel the Function:** Run to the limit height and press “UP” and “DOWN” buttons again for 5 seconds until you hear a beep sound, limited height cancel.

**Lock and Unlock:** Press “UP” and “S” buttons, screen display “LOC”, system locked. Press “DOWN” and “S” buttons, screen display “LOC”, system unlocked.

**Press “SET” button for approx 10 seconds until digital screen displays S-1. Press the “UP” or “DOWN” buttons to choose from the following.**

### S-1 = Metric and Inch Exchange

Select “up” & “down” buttons to navigate to selection

0 – Metric

1 – Inch

Press “SET” button to make selection and save.

# Dynamo Plus Single Sided Desk

## Electric Digital Handset Functions – Operational Instructions

---

### **S-2 = Anti Collision Sensitivity**

Select “up” & “down” buttons to navigate to selection

0 - Shut down

1 - The most insensitive

8 - The most sensitive

Press “SET” button to make selection and save.

### **S-3 = Sensitivity of Upwards Anti Collision**

Select “up” & “down” buttons to navigate to selection

0 - Shut down

1 - The most insensitive

8 - The most sensitive

Press “SET” button to make selection and save.

### **S-4 = Sensitivity of Downwards Anti Collision**

Select “up” & “down” buttons to navigate to selection

0 - Shut down

1 - The most insensitive

8 - The most sensitive

Press “SET” button to make selection and save.

### **S-5 = Basement Height Setting**

Use “up” & “down” buttons to adjust the basement height.

Press “SET” button to make selection and save.

### **S-6 = Memory Key Operation**

Select “up” & “down” buttons to navigate to selection

0 - Long pressing desk running, hands off desk stop running

1 - Click desk running, second click to stop running

Press “SET” button to make selection and save.

### **S-7 = Overheat Protection**

Select “up” & “down” buttons to navigate to selection

0 - Shut down

1 - Turn on (Continuous operation for two minutes, error HOT)

Press “SET” button to make selection and save.

### **S-8 = Desktop Tilt Angle Setting**

Select “up” & “down” buttons to navigate to selection

0 - Shut down

1 - 0.5°

2 - 1.0°

3 - 1.5°

4 - 2.0°

5 - 2.5°

6 - 3.0°

7 - 3.5°

8 - 4.0°

Press “SET” button to make selection and save.

**ELITE OFFICE  
FURNITURE**

**How can we be of help?**

1300 686 666

[hello@eliteofficefurniture.com.au](mailto:hello@eliteofficefurniture.com.au)

[eliteofficefurniture.com.au](http://eliteofficefurniture.com.au)