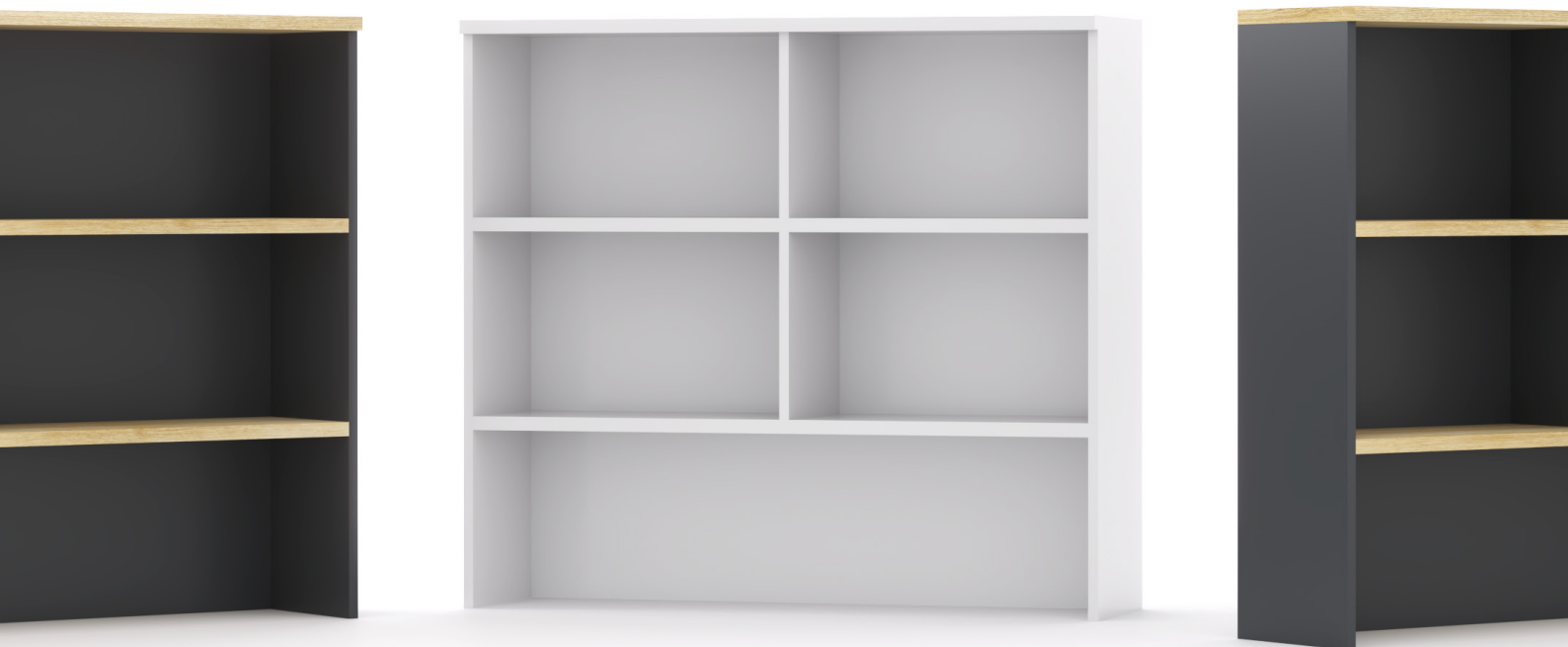


EkoSystem Hutch.

Product **Specifications**



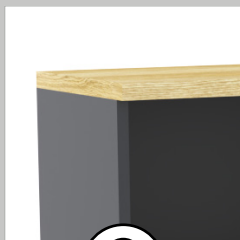
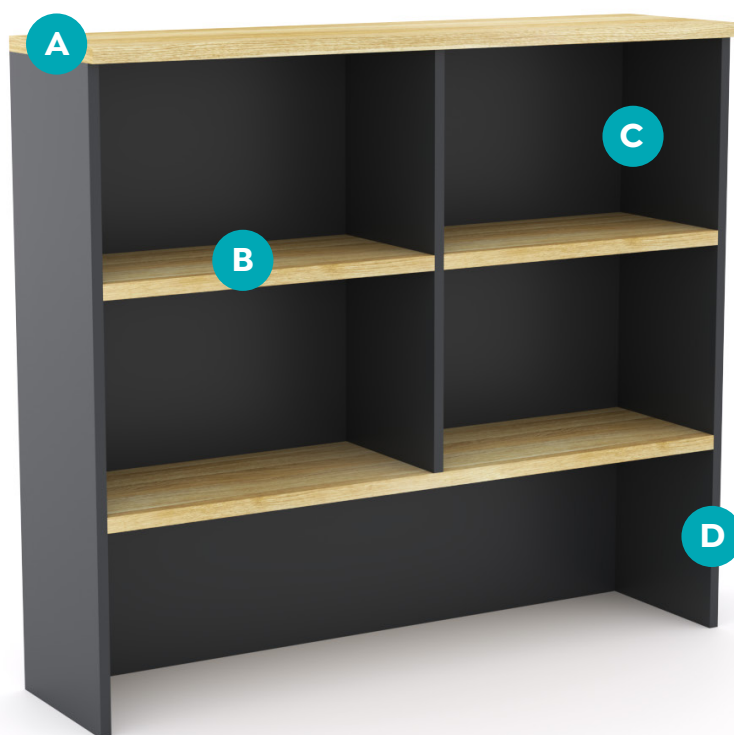
EkoSystem Hutch.

A place where storage meets style, the EkoSystem Hutch is a seamless solution to a messy office.

Utilizing the highest quality materials and expert craftsmanship, the EkoSystem Hutch features E0-grade melamine panels and shelves in your choice of studio white or the new oak/charcoal finish. A matching PVC edge complements the aesthetic look while an additional series of shelving holes allows for effortless customization. More than just a standalone storage solution, the EkoSystem Hutch easily integrates with desks, cupboards, credenzas, bookcases, and a vast array of other office furnishings.

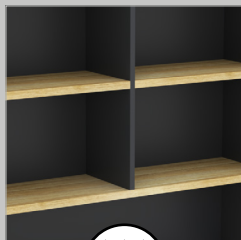
With the EkoSystem Hutch, you can say goodbye to time-consuming assembly nightmares. In less than 10 minutes, you can go from flatpack to finished. We've thought of everything, including providing you with all the necessary tools to get the job done.

Key Features



A. High Quality Materials

18mm panels and 25mm shelves/top in studio white or new oak/charcoal melamine on E0 grade substrate with matching PVC edge.



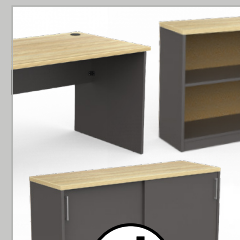
B. Adjustable Shelves

Constructed with the additional series of holes for easy customisation and modification of shelf heights.



C. Fast Assembly

10 minute assembly. Includes required tools and configured to make assembly time even faster.



D. Versatile

Suitable to use with desks, cupboards, credenzas, bookcases and various other office furnishings.

EkoSystem Hutch.

In Detail



Durable Design

18mm melamine panels & 25mm melamine shelves and top for added strength and durability.



GECA Certified

Made in accordance with 'Good Environmental Choice Australia' guidelines for environmental piece of mind.



Classic Style

Designed with a traditional, timeless look in mind to seamlessly suite any office.



Warranty

10 year warranty is the best in it's class giving you peace of mind.

E0 Grade Top & Shelves

Super low emission 25mm melamine tops & shelves with matching PVC hardedge to take the knocks.

E0 Grade Panelling

18mm super low emission wall panelling with matching PVC hardedge for durability.

Fast Assembly

Required tools are all supplied and the design is configured to have a 10 minute assembly time.

Adjustable Shelves

Constructed with the additional series of holes for easy customisation and modification of shelf heights.

10 Year Warranty
Best in it's class.

GECA Certified
to deliver better environmental outcomes.

Versatile Design

Fits perfectly with desks, cupboards, cradenzas, bookcases and various other office furnishings.

Added Stability



Comes with four tabletop connectors to safely affix the hutch to your desired office storage.



* Refer to page 6 for Ratings & Certifications details.

EkoSystem Hutch.

Hutch Variations



1200mm
Charcoal/New Oak Hutch



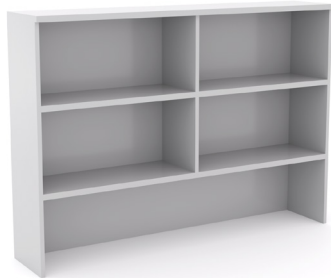
1500mm
Charcoal/New Oak Hutch



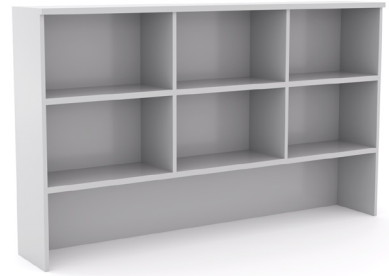
1800mm
Charcoal/New Oak Hutch



1200mm White Hutch



1500mm White Hutch



1800mm White Hutch

Melamine Colour Options



Charcoal



New
Oak



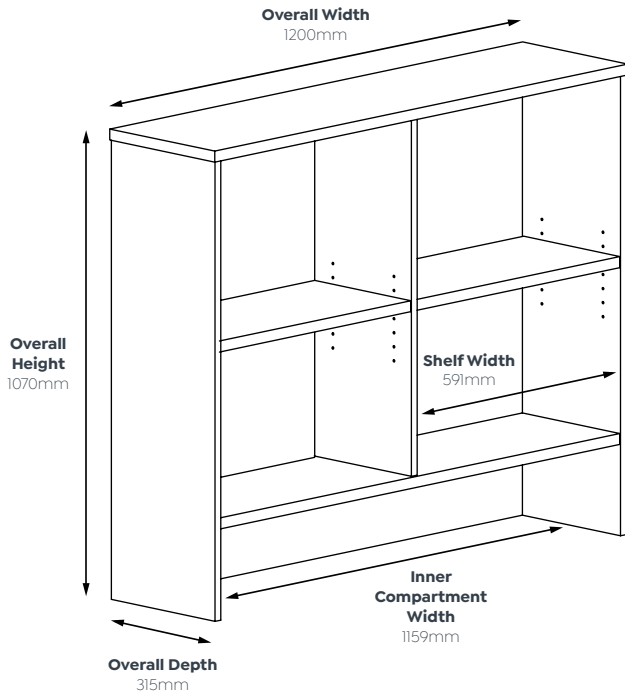
White



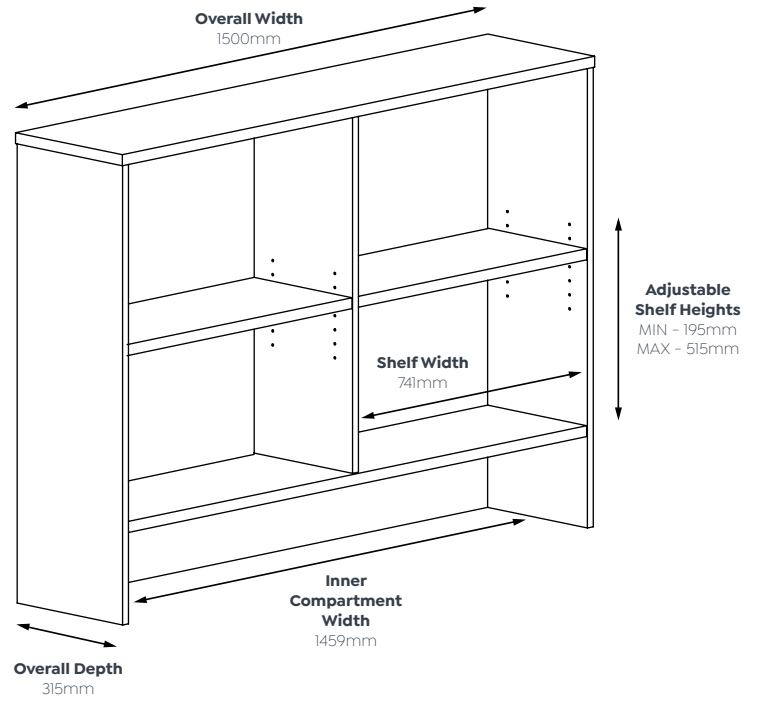
EkoSystem Hutch.

Dimension Specifications

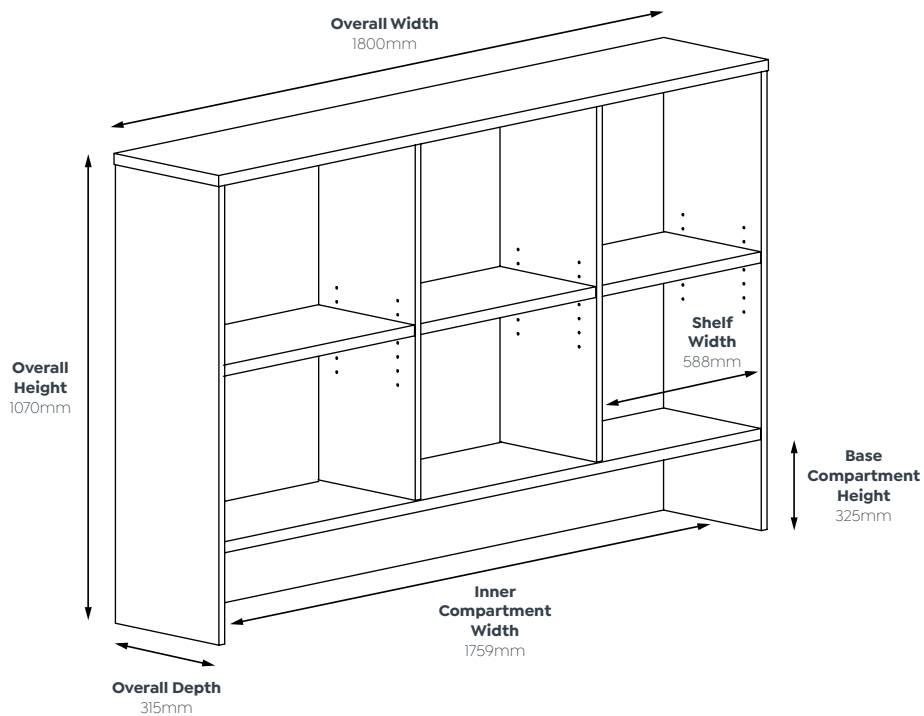
1200mm Wide



1500mm Wide



1800mm Wide



Ratings & Certifications.



10 Year Warranty

OLG Warranty promises the original purchaser that it will repair or replace with comparable product, at its option and free of charge (for material and components), any product, part or component which fails under normal use over the duration of the specified warranty term (taken from the date of purchase). Normal commercial usage is defined as the equivalent of a single shift, 40 hour work-week.



Weight Rating

All seating products have an OLG endorsed 120kg minimum weight rating. All OLG seating products are designed with reference to relevant international standards, including ANSI/BIFMA and AS/NZS. These standards stipulate strength & durability requirements and give the user confidence about the product's longevity. OLG's ISO certified factories use propriety test rigs to issue OLG's own weight ratings for chairs.



ISO 14001

ISO 14001 Certification is the international standard that specifies requirements for an effective Environmental Management System (EMS). It provides a framework that OLG as an organization can follow. At OLG we are using this framework as an approach to continuous improvement across all environmental aspects of our business.



ISO 9001

ISO 9001 Certification is the world's most widely recognized Quality Management System (QMS). At OLG its our guiding principle to meet the expectations and needs of our customers through quality management systems that continually monitor and manage quality across all operations to deliver consistent performance and service.



AS/NZS 4801

AS/NZS 4801 is the benchmark to assess Occupational Health & Safety Management systems for organisations. This standard contains vital information about meeting legal requirements and invaluable guidance on how to establish sustained improvement in health and safety performance in your business.



GECA Certification

GECA (The Good Environmental Choice Australia) Ecolabelling Program, operates a national third-party, independently verified ecolabel, in conformance with Environmental labels and declarations (ISO 14024), that can be applied to a wide range of products and services. This certification gives you an independent, reliable and convenient way to select OLG products and services that are certified by GECA to deliver better environmental outcomes. Anvil and Axis (available to GECA specification by special request). EkoSystem approved as EKO Brand.



AFRDI Certification

AFRDI Certification is a set of standards covering strength, durability, stability and safety (and ergonomics in the case of desks and workstations). This means that OLG are accountable for maintaining the quality of our products, submitting them for regular auditing to ensure they meet the highest standards for commercial use. Applies to: Urban Mesh (Level 6 – Severe Commercial), Modulus Flip Table (Level 3 – Severe Commercial, tested with 1500 x 750 top and Agile+ Single Sided Dual Motor Electric Desk).



BIFMA Certification

BIFMA Certification focuses on safety and performance standards developed by the BIFMA Engineering Committee. The standards provide manufacturers, specifiers, and users with a common basis for evaluating safety, durability, and the structural adequacy of the specified furniture, independent of construction materials. The standards define specific tests, laboratory equipment to be used, the conditions of test, and the minimum acceptance levels to be used in evaluating these products. Applies to: Balance Executive, Balance Task, Optic Chair, Adapta Chair, Game Chair 4 leg, Game Chair 4 leg with seat and back pads, Game Sled, Game Sled with seat and back pads, Agile+, Agile Electric 2-Column single motor, Motion Sync



Australian Trusted Trader

Australian Trusted Trader Certification is a standard that rewards companies showing compliant behaviour, secure supply chain with strong security practices, to enjoy a wide range of trade facilitation benefits. OLG have held this status since 2017.



FSC

FSC is the leading catalyst and defining force for improved forest management and market transformation, shifting the global forest trend toward sustainable use, conservation, restoration, and respect for all. Applies to: Plantation timber legs



GREENGUARD Certification

A GREENGUARD Certification ensures that a product has met some of the world's most rigorous and comprehensive standards for low emissions of volatile organic compounds (VOCs) into indoor air. GREENGUARD Gold Certification offers certification criteria that considers safety factors to account for sensitive individuals (such as children and the elderly), and ensures that a product is acceptable for use in environments such as schools and healthcare facilities.

EkoSystem Hutch.

Cheat Sheet Quick Guide

Standard Features

Durable 18mm panels and 25mm tops/shelves in white or new oak/charcoal melamine on E0 grade substrate with matching PVC edge

Adjustable shelves - for easy customisation

Fast assembly - includes required tools for fast assembly

Suitable to accompany a variety of office furnishings

Classic design to suite any office environment

GECA certified to meet Australian environmental guidelines

10 year warranty

Dimensions

Overall Height 1070 mm

Overall Widths 1200 mm, 1500 mm, 1800 mm

Melamine Colour Options



Charcoal



New
Oak



White





EkoSystem Charcoal/New Oak 90° Desking with matching EkoSystem Hutch and black Scroll chair.



EkoSystem White Desk & Return Desking with matching EkoSystem Hutch and black MotionSync seating.

Additional Options.

Storage



Axis Mobile Drawers
Two Box Drawers + One File Drawer - Gang Locking



Axis Mobile Drawers
Four Box Drawers Gang Locking



Axis Caddy Mobile Bookcase
2 x Adjustable Shelves



Axis Caddy Mobile Bookcase
1 x Drawer Insert
Left or Right Handed Configuration



Axis Caddy Mobile
2 x Drawer Insert



Axis Caddy Mobile Bookcase
1 x Tambour Insert
Left or Right Handed Configuration



Axis Caddy Mobile Bookcase
1 x Tambour Insert
1 x Drawer Insert
Left or Right Handed Configuration



Axis Caddy Mobile
2 x Tambour Insert



Agile Steel Caddy L/H
Metal caddy unit with tambour and 3 drawers. Available in 2 Powdercoats



Agile Steel Caddy R/H
Metal caddy unit with tambour and 3 drawers. Available in 2 Powdercoats



Agile Regular Steel Mobile
Metal mobile drawer unit with 2 drawers and 1 file. Available in 2 Powdercoats



Agile Narrow Steel Mobile
Metal mobile drawer unit with 2 drawers and 1 file. Available in 2 Powdercoats



Axis Credenza 1200 Two Levels
2 x 25 mm adjustable shelves



Axis Credenza 1800 Two Levels
1 x 18 mm adjustable shelves
4x hinged locking doors



Axis Bookshelf Three Levels
2 x 25 mm adjustable shelves



Axis Bookshelf Five Levels
3 x 25 mm adjustable shelves
1 x fixed shelf



Axis Cupboard Locking Three Levels
2 x 18mm adjustable shelves



Axis Cupboard Locking Five Levels
3 x 18 mm adjustable shelves
1 x fixed shelf



Axis Tower Bookcase
2 x Adjustable Shelves



Axis Tower Bookcase
1 x Drawer Insert

Accessories



Monitor Arms
Axis / Studio50 Brackets



Cable Management
Above Desk / Below Desk



Modesties
Melamine / Metal



Laptop Riser
Available in Black



Deskmount Shelves
Studio White
243 high x 600 wide x 300 deep

Additional Options.

Desking



QuickStand Desk
Height Adjustable
Single Sided Desk



Agile Fixed
Single Sided Desk



Agile Fixed
90° Workspace



Agile Fixed
Desk with Return



Agile Fixed
2 User 90° Workspace



Agile Winder
Height Adjustable
2 User Double Sided Desk



Agile Winder
Height Adjustable
Single Sided Desk



Agile Electric 2 Column
Height Adjustable
Single Sided Desk



Agile Electric 2 Column
Height Adjustable
90° Workspace



Agile Electric 2 Column
Height Adjustable
2 User 90° Workspace



Agile+ Electric 3 Column
Height Adjustable
Single Sided Desk



Agile+ Electric 3 Column
Height Adjustable
90° Workspace



Agile+ Electric 3 Column
Height Adjustable
120° Workspace



Agile+ Electric 3 Column
Height Adjustable
2 User Double Sided Desk



Agile+ Electric 3 Column
Height Adjustable
Triple 120° Workstation



Agile+ Round Legs 3C
Electric Height Adjustable
Single Sided Desk



Agile+ Round Legs 3C
Electric Height Adjustable
Single Sided Desk



Agile+ Round Legs 3C
Electric Height Adjustable
Single Sided Desk



Agile+ Round Legs 3C
Electric Height Adjustable
Single Sided Desk



Agile+ Round Legs 3C
Electric Height Adjustable
Triple 120° Workstation



Anvil
Single Sided Desk
with Studio50 Screen



Anvil
Single Sided
90° Workspace



Anvil
2 User Double Sided
90° Workspace



Anvil
2 User Single Sided Desk
with Studio50 Screen



Axis
Single Sided Desk
with Modesty



Axis
Single Sided Desk
with Return



Axis
2 User Single Sided Desk
with Studio50 Screen



EkoSystem
Single Sided Desk



EkoSystem
Single Sided Desk with Return



EkoSystem
90° Workstation

