

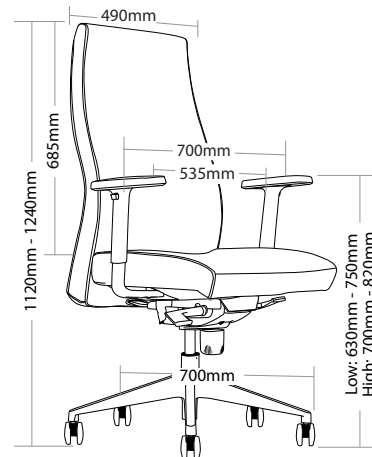
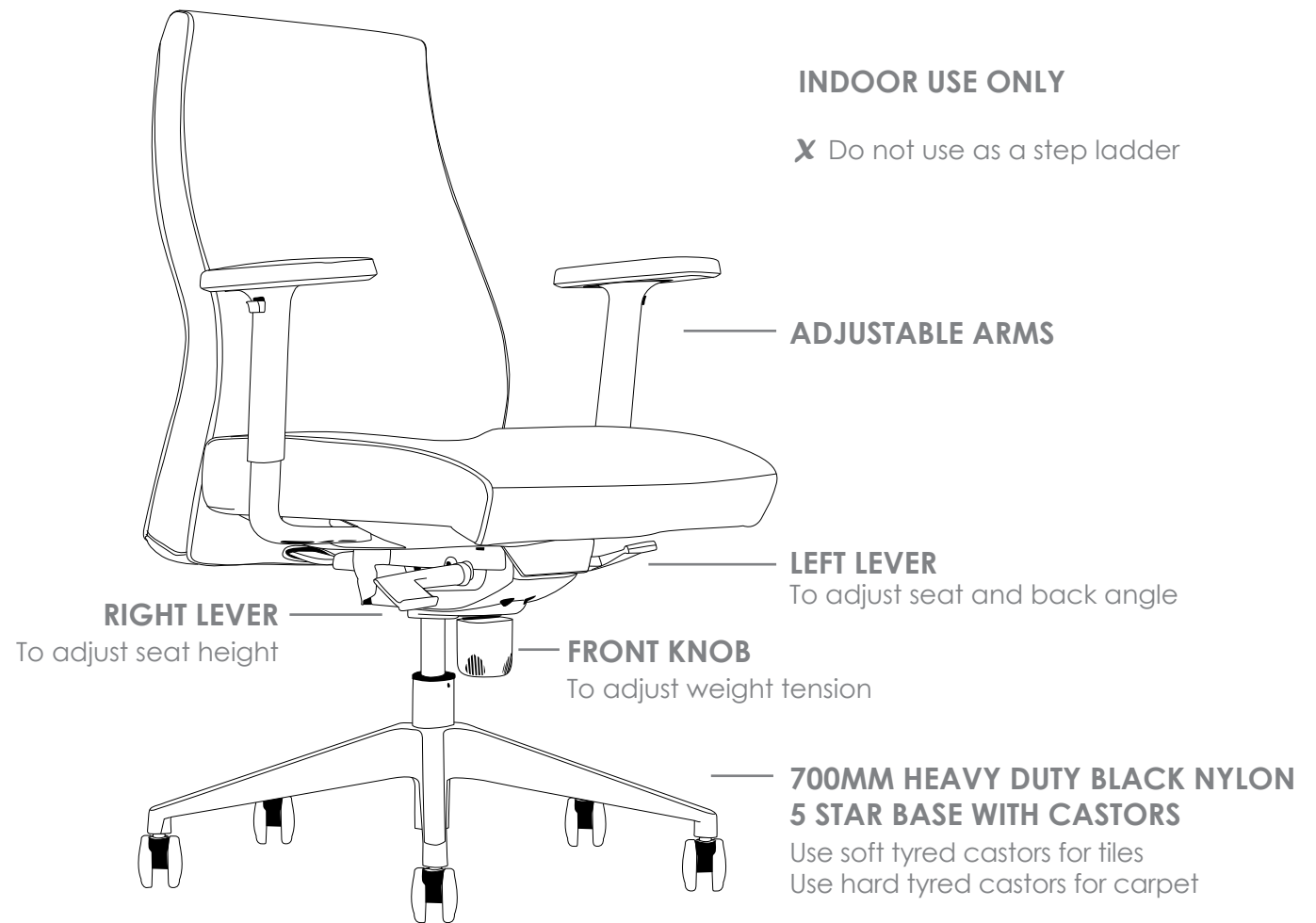
R3 EXECUTIVE SEATING

AUSTIN

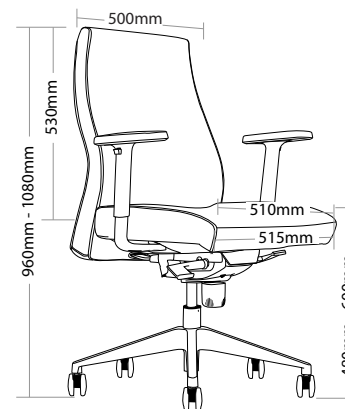


FEATURES

- » Adjustable seat height
- » Adjustable seat and back angle
- » Adjustable weight tension
- » Adjustable arms
- » Available in high and low back
- » Plastic under pan
- » Moulded seat and back foam
- » Synchron mechanism with 3 locking positions
- » 700mm heavy duty black nylon base
- » Available in local fabrics
- » Suitable for indoor use only
- » 5 year warranty
- » Weight limit is 130kg



AUSTIN-H



AUSTIN-L

AUSTIN EXECUTIVE SEATING



AUSTIN-H



AUSTIN-L



BACK VIEW