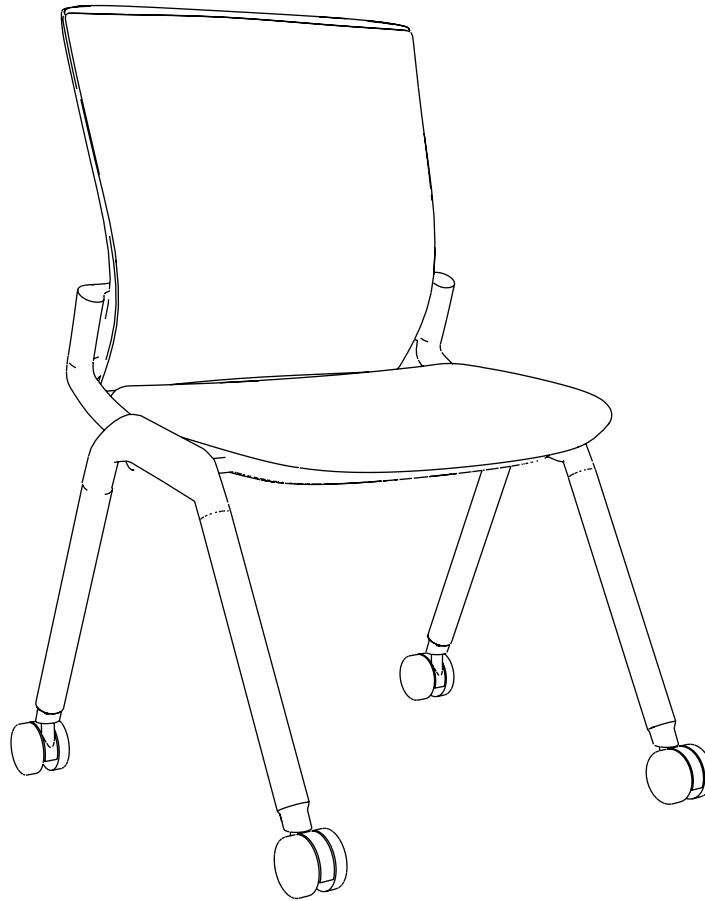


OLG



---

## Balance Visitor

Assembly Instructions

# Balance Visitor

## Components List



Back Frame

A



Base

D



Plastic Washer

E



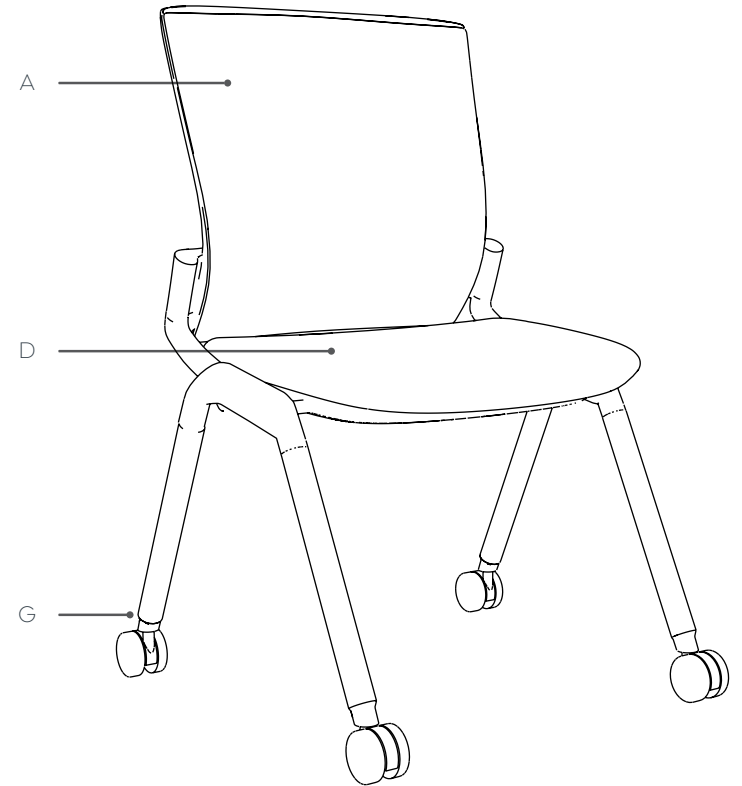
4 x Caster

F

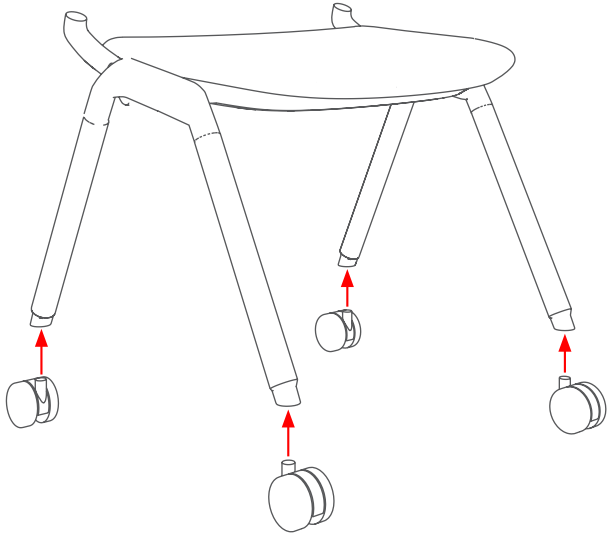


Wrench

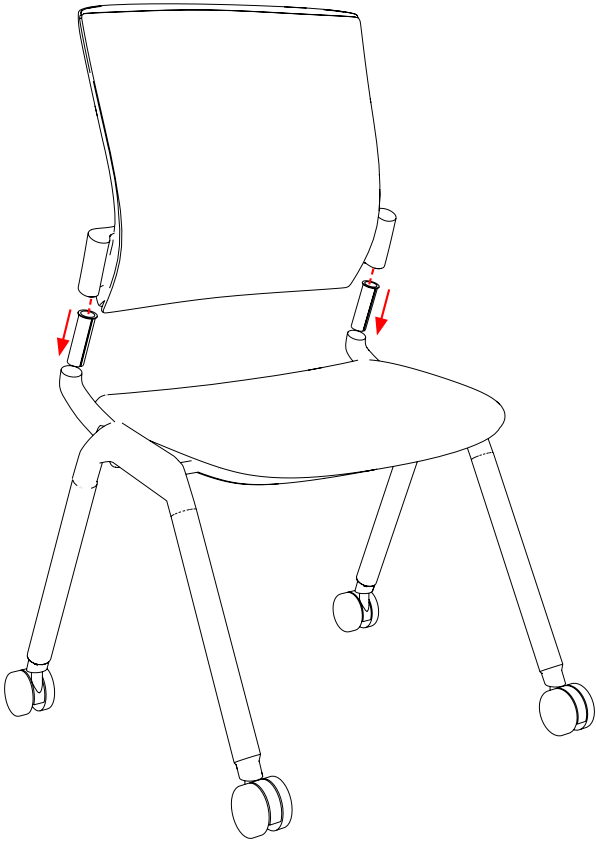
G



STEP 1:



STEP 2:

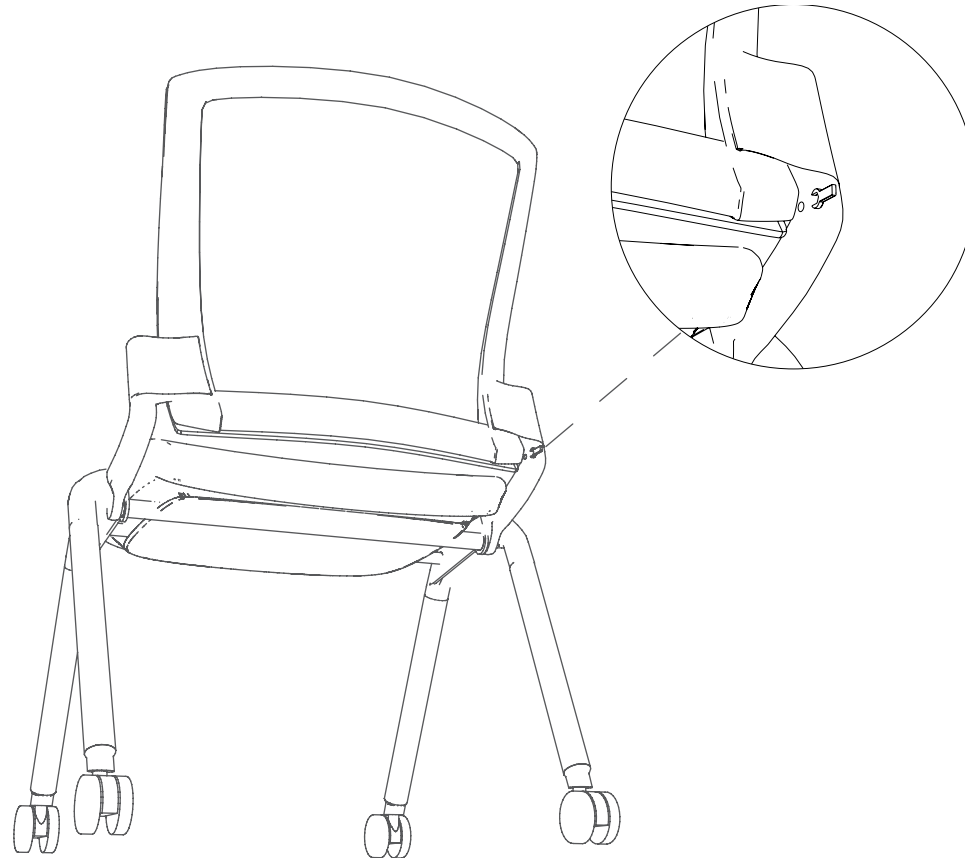


# Balance Visitor

## Assembly Instructions

---

### STEP 3:





**Sydney** 02 8188 2732

**Melbourne** 03 9111 0315

**Brisbane** 07 3733 1923

**Adelaide** 08 7111 0810

**Perth** 08 9468 2707

[info@olgoffice.com](mailto:info@olgoffice.com)

[myolg.online](http://myolg.online) | [olgoffice.com](http://olgoffice.com) | [officedesigner.net](http://officedesigner.net) | [motionoffice.com](http://motionoffice.com)