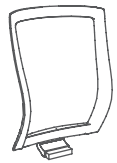


Balance Task with Arms

Assembly Instructions

Balance Task with Arms

Components List



Back Frame

A



Left Arm

B



Right Arm

C



Seat Pan

D



Gas Cylinder

E



Base

F



5 x Caster

G



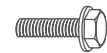
Hex Wrench

H



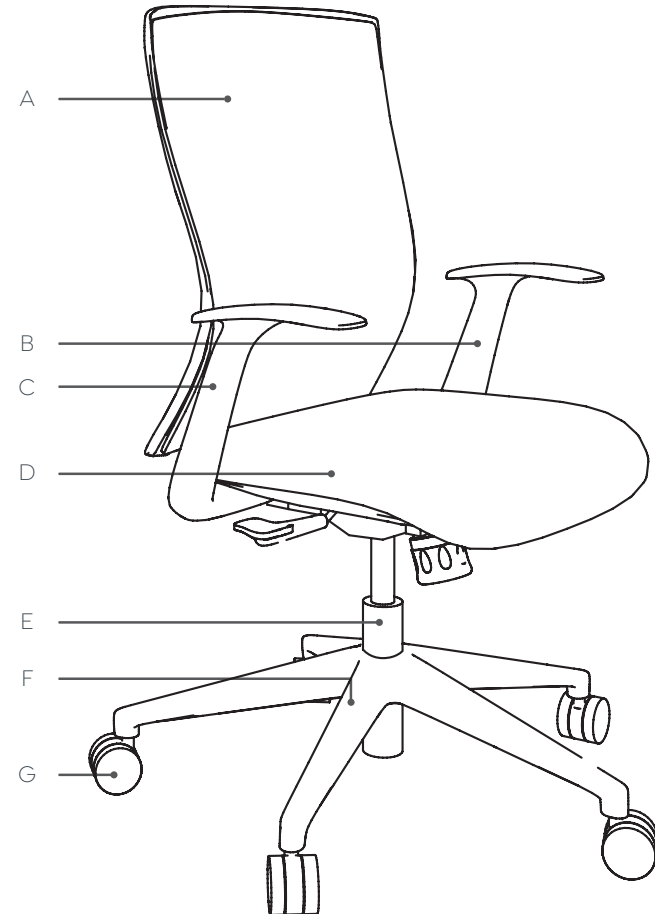
3 x Short Bolt

J



6 x Long Bolt

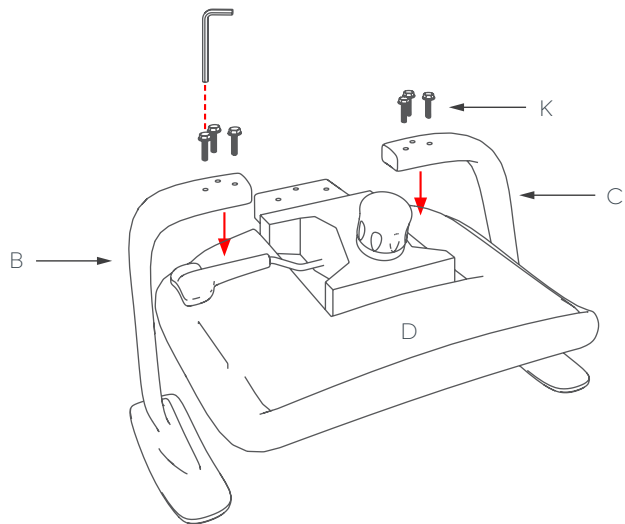
K



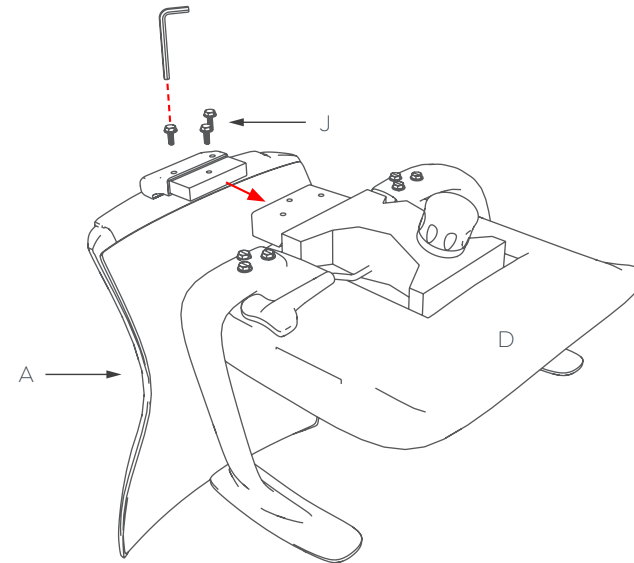
Balance Task with Arms

Assembly Instructions

STEP 1:



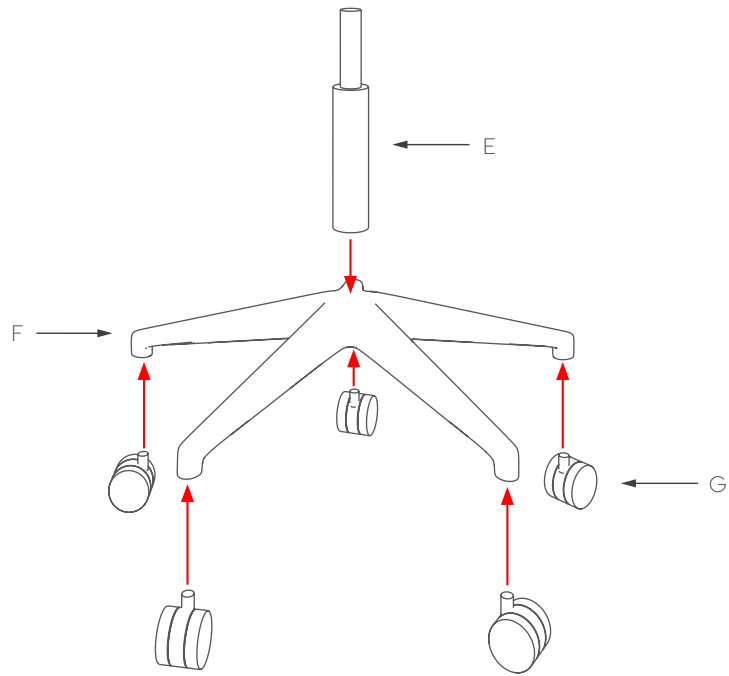
STEP 2:



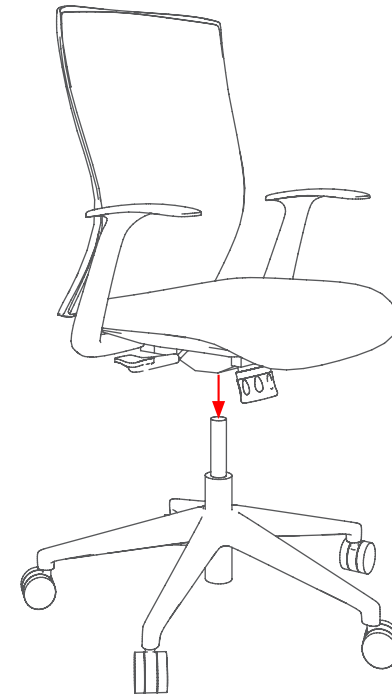
Balance Task with Arms

Assembly Instructions

STEP 3:



STEP 4:





Sydney 02 8188 2732

Melbourne 03 9111 0315

Brisbane 07 3733 1923

Adelaide 08 7111 0810

Perth 08 9468 2707

info@olgoffice.com

myolg.online | olgoffice.com | officedesigner.net | motionoffice.com