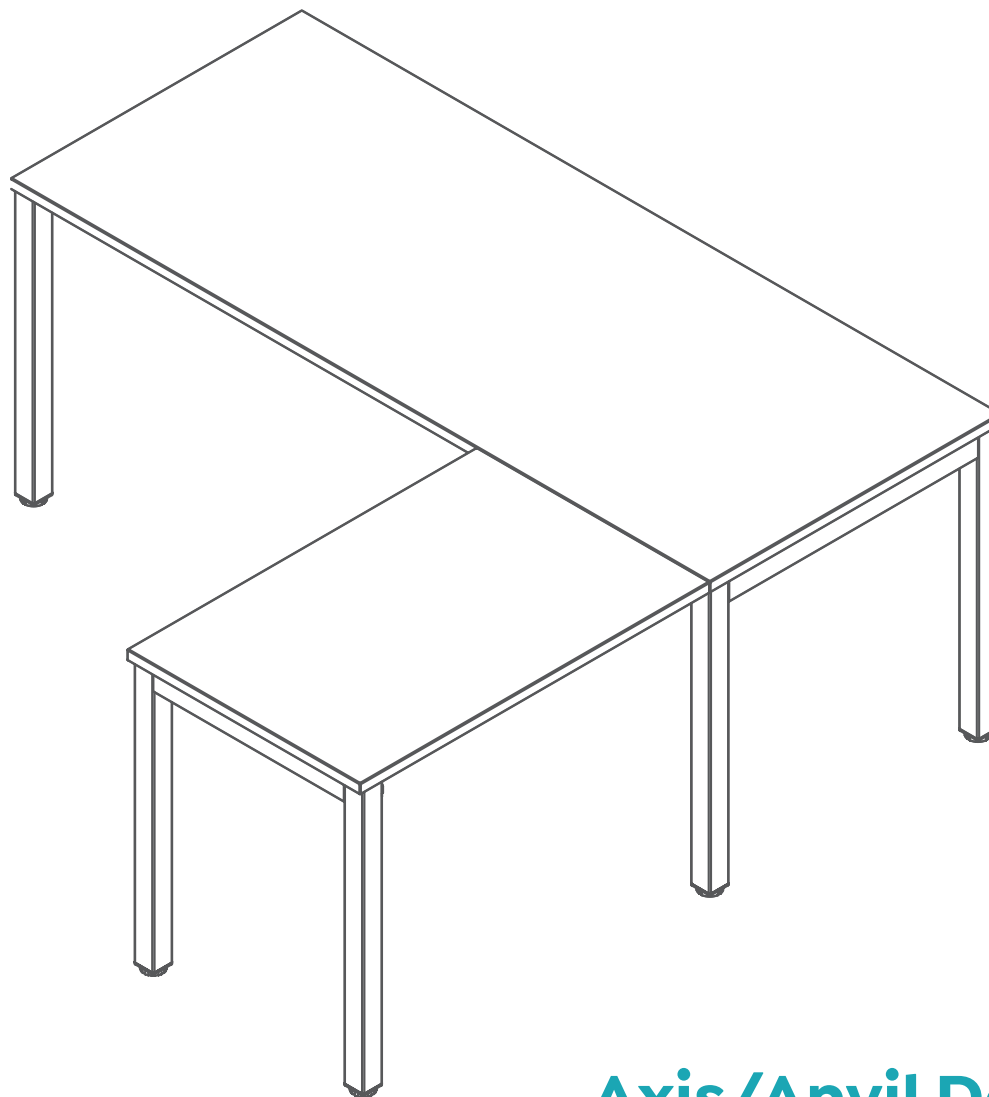


OLG



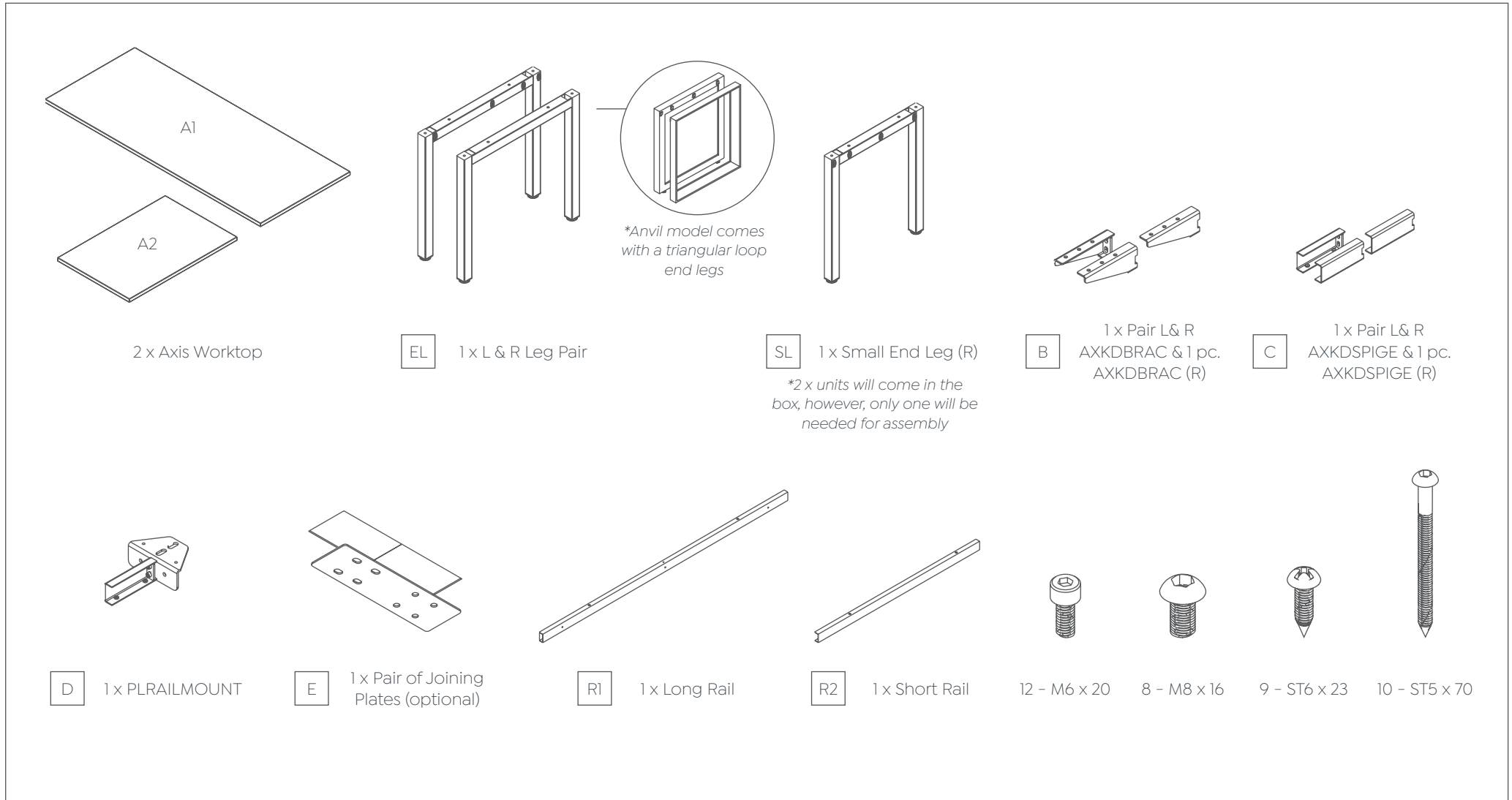
---

## Axis/Anvil Desk and Return

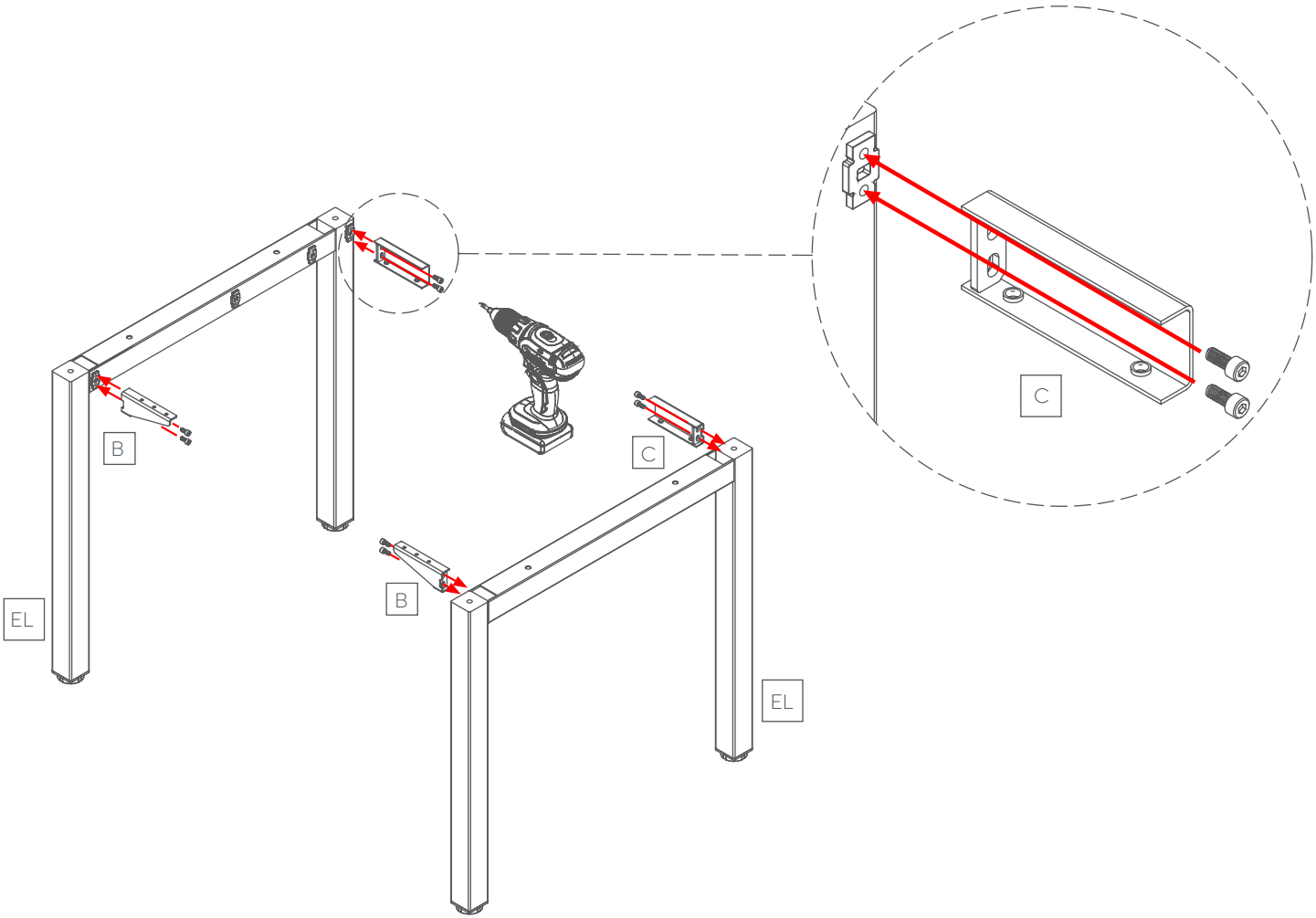
Assembly Instructions

# Axis/Anvil Desk and Return

## Components List



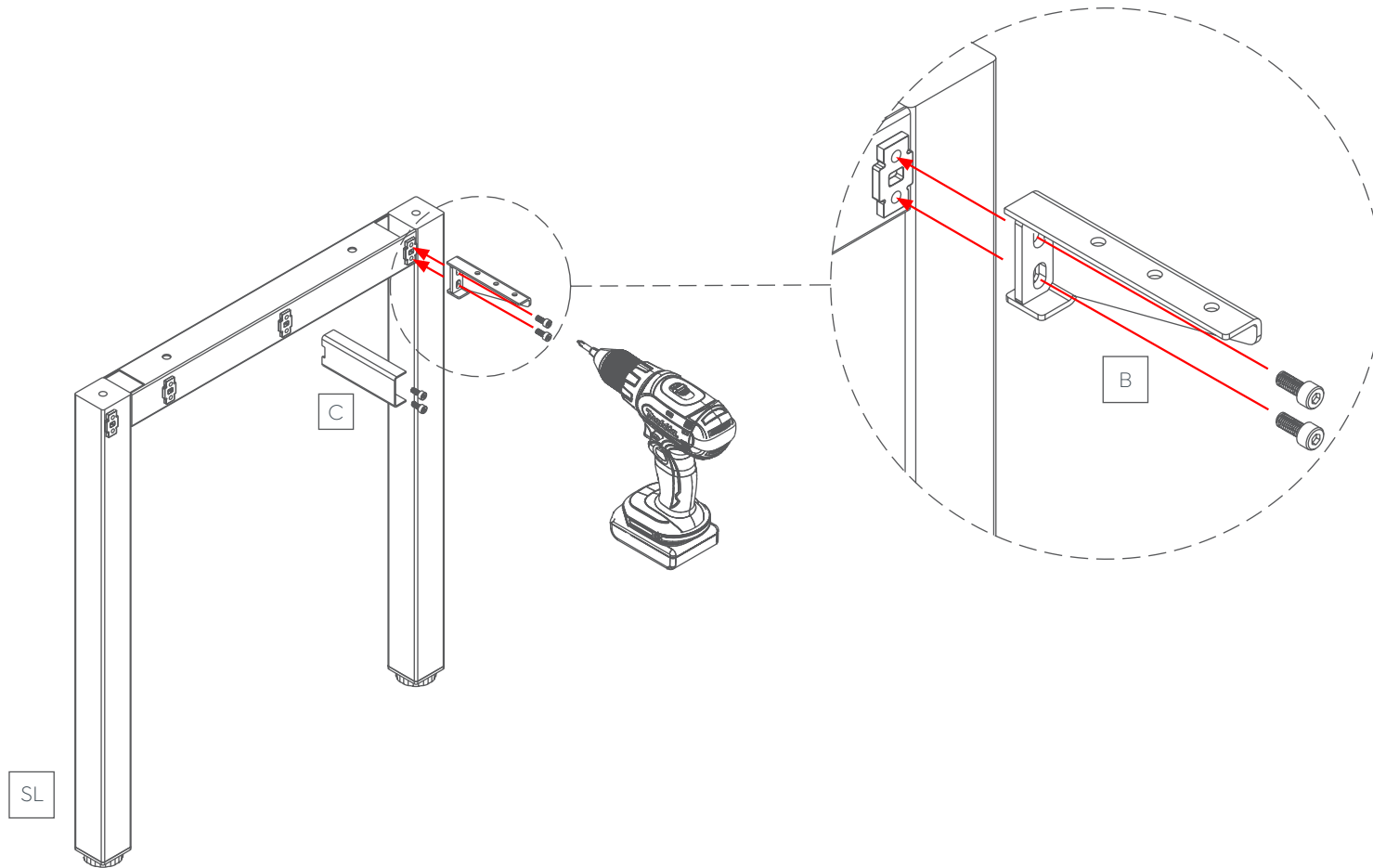
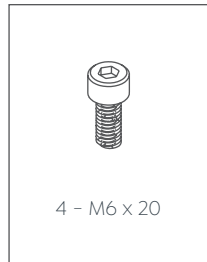
**STEP 1:**



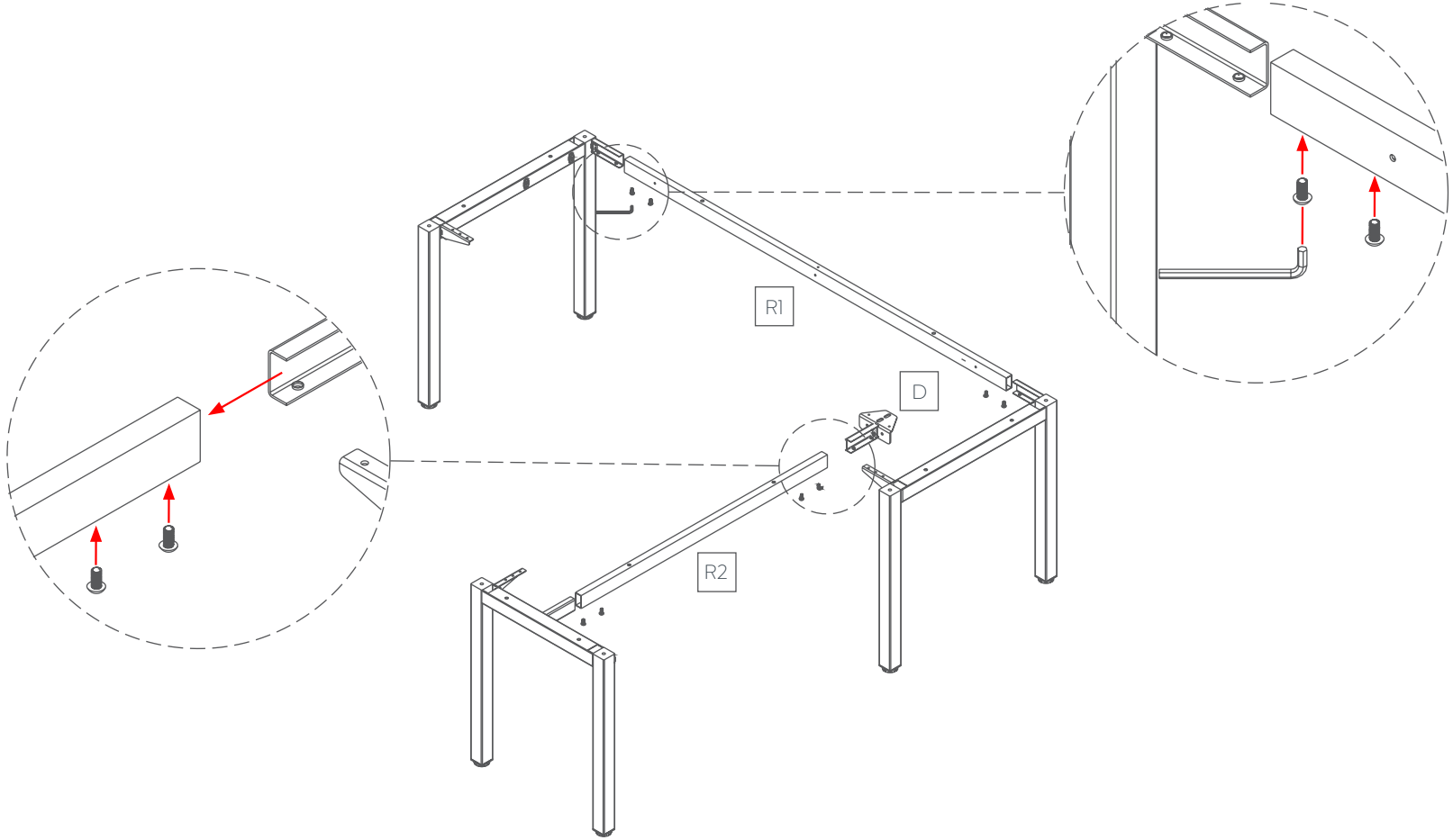
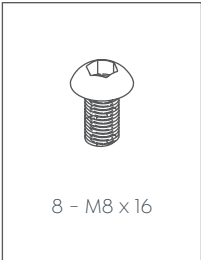
# Axis/Anvil Desk and Return

## Assembly Instructions

### STEP 2:



**STEP 3:**



# Axis/Anvil Desk and Return

## Assembly Instructions

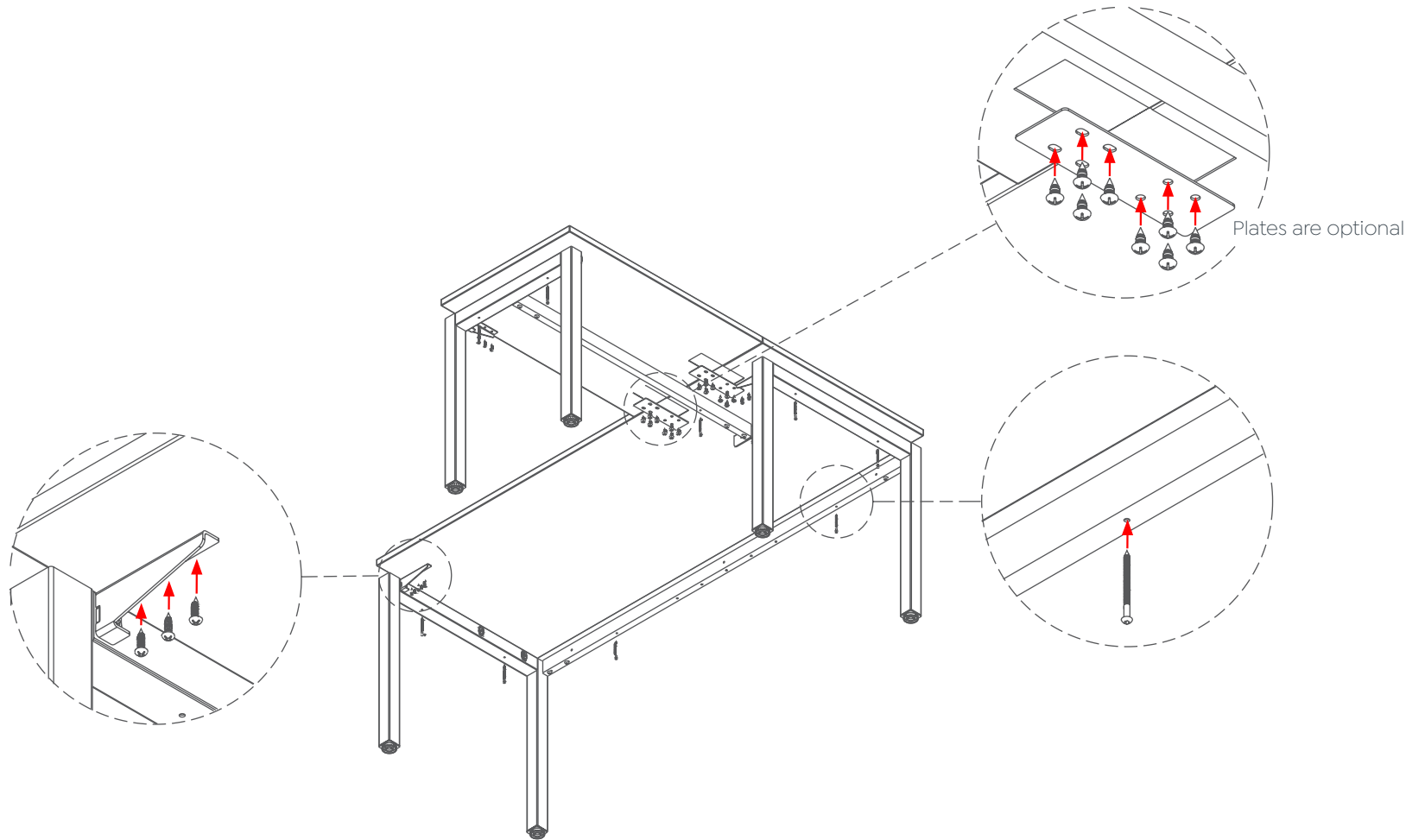
### STEP 4:



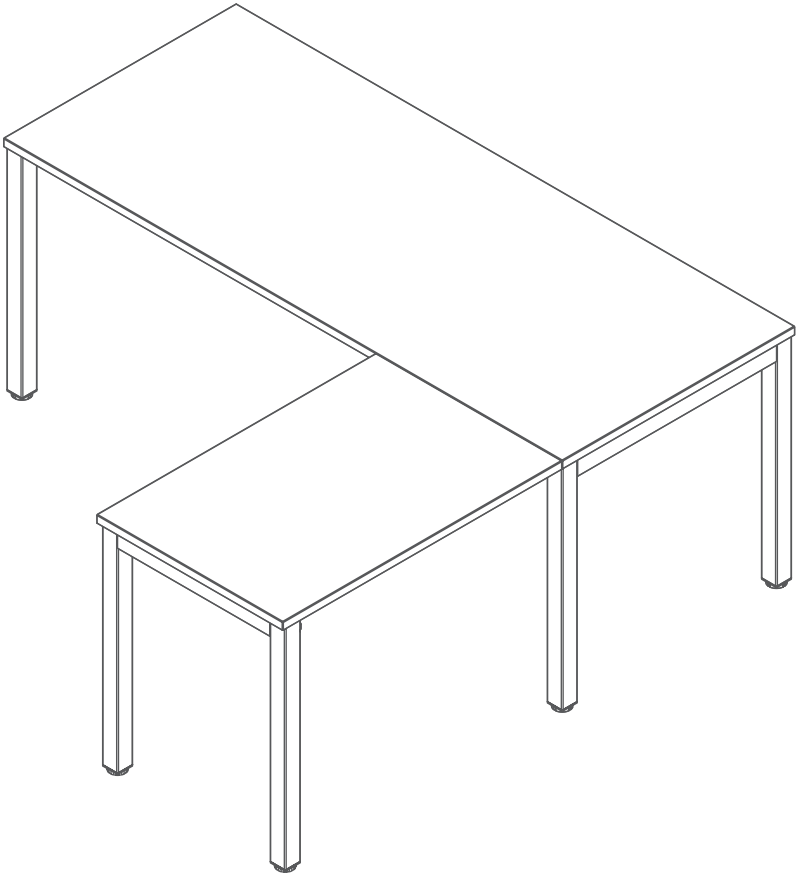
9 - ST6 x 23



10 - ST5 x 70



**Complete:**





**Sydney** 02 8188 2732  
**Melbourne** 03 9111 0315  
**Brisbane** 07 3733 1923  
**Adelaide** 08 7111 0810  
**Perth** 08 9468 2707

[info@olgoffice.com](mailto:info@olgoffice.com)

[myolg.online](https://myolg.online) | [olgoffice.com](https://olgoffice.com) | [officedesigner.net](https://officedesigner.net) | [motionoffice.com](https://motionoffice.com)