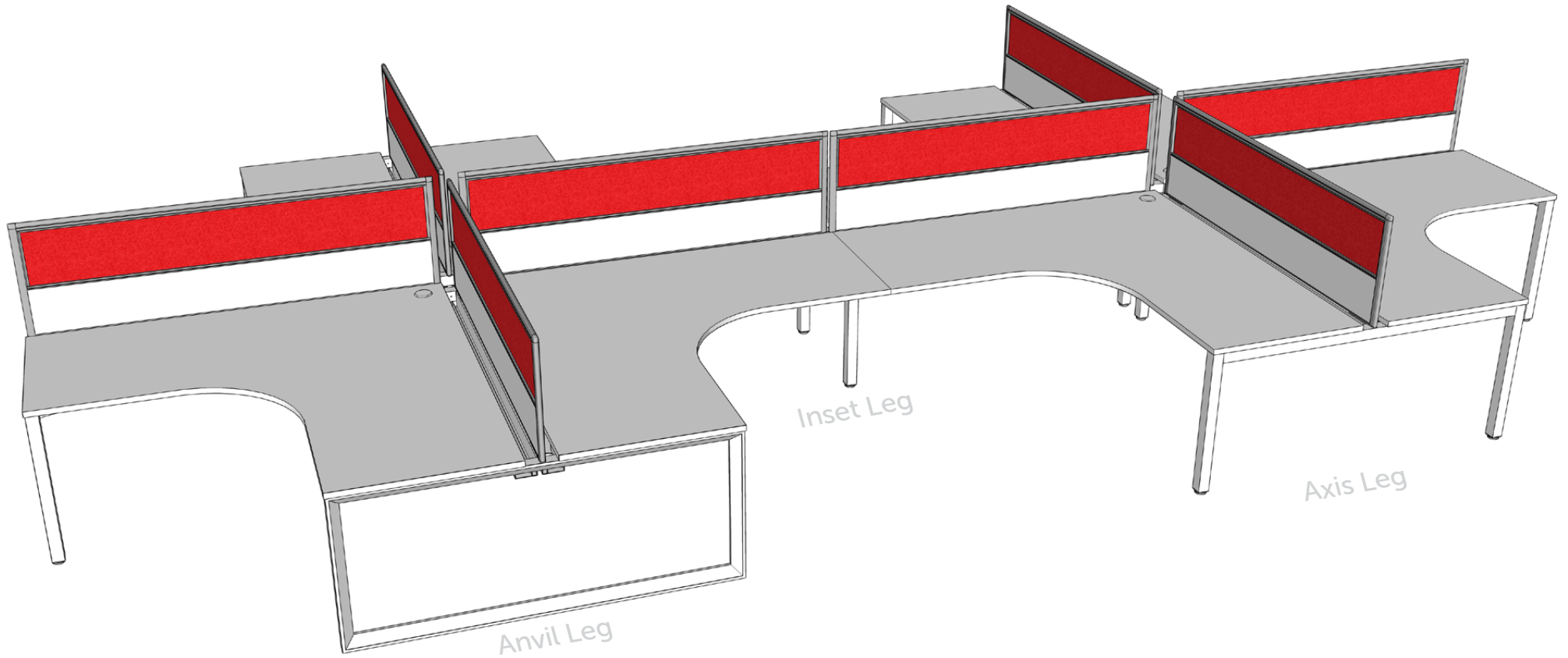


# Axis/Anvil System

## Installation Guide

---

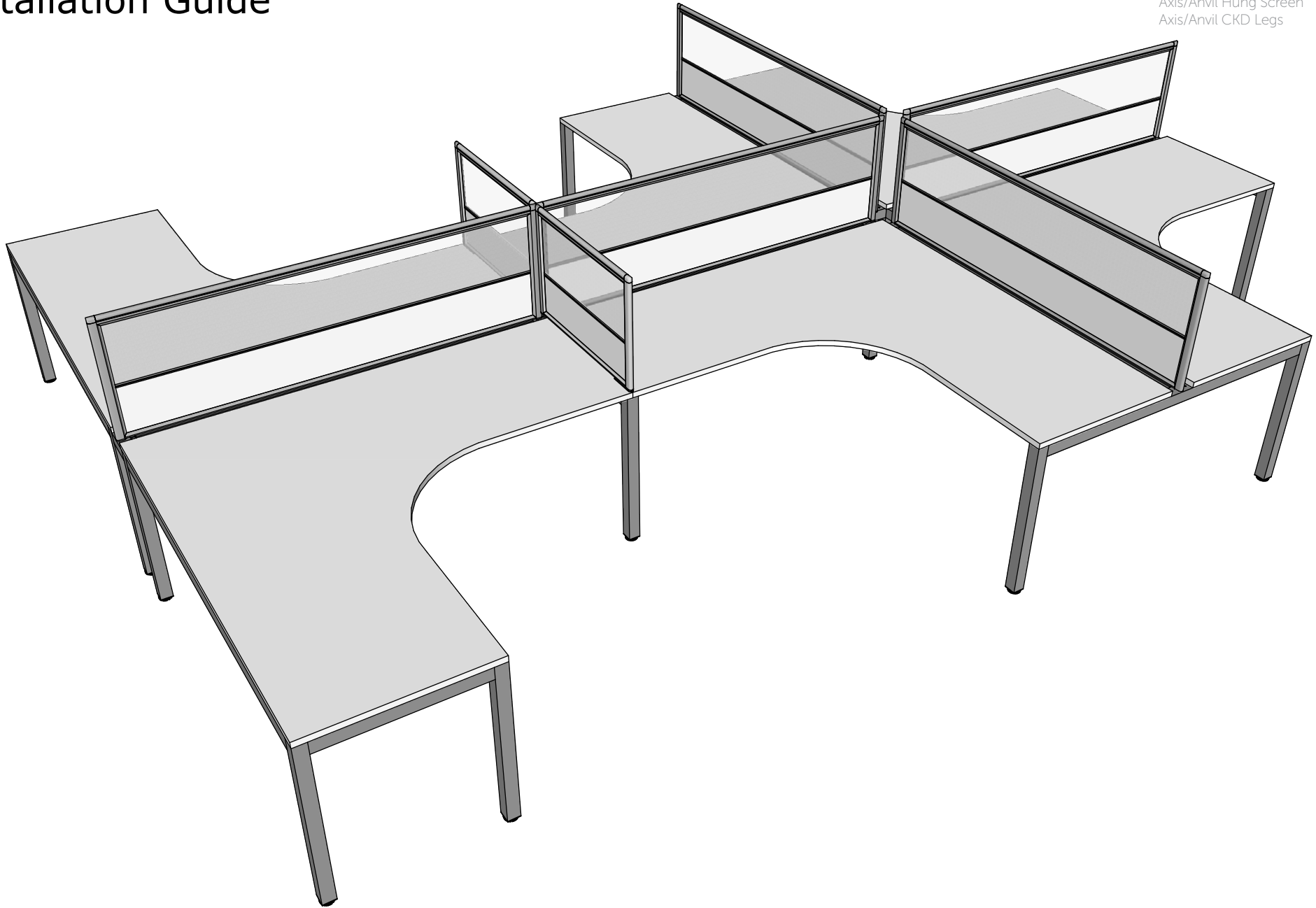
**TOOLS REQUIRED:** Powered screwdriver, soft rubber hammer.



# AXIS SYSTEM WORKSTATION

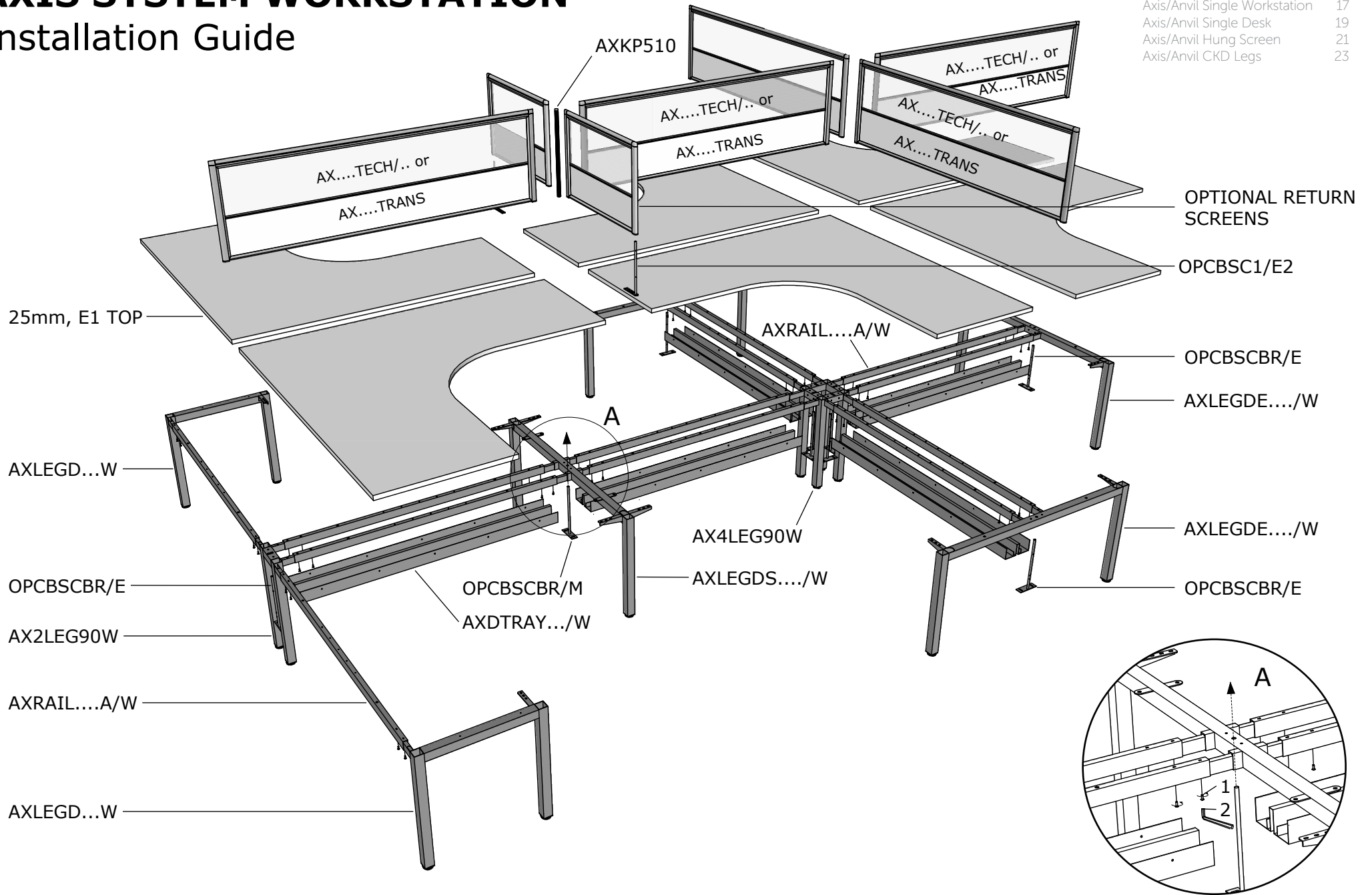
## Installation Guide

Axis/Anvil System Workstation	3
Axis/Anvil System Straightline	8
Axis/Anvil System 120°	13
Axis/Anvil Single Workstation	17
Axis/Anvil Single Desk	19
Axis/Anvil Hung Screen	21
Axis/Anvil CKD Legs	23



# AXIS SYSTEM WORKSTATION Installation Guide

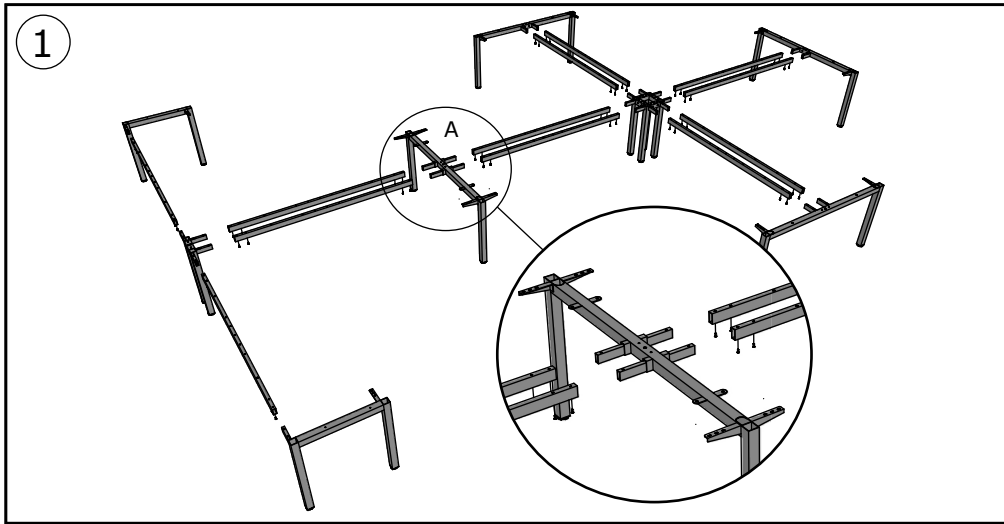
Axis/Anvil System Workstation	3
Axis/Anvil System Straightline	8
Axis/Anvil System 120°	13
Axis/Anvil Single Workstation	17
Axis/Anvil Single Desk	19
Axis/Anvil Hung Screen	21
Axis/Anvil CKD Legs	23



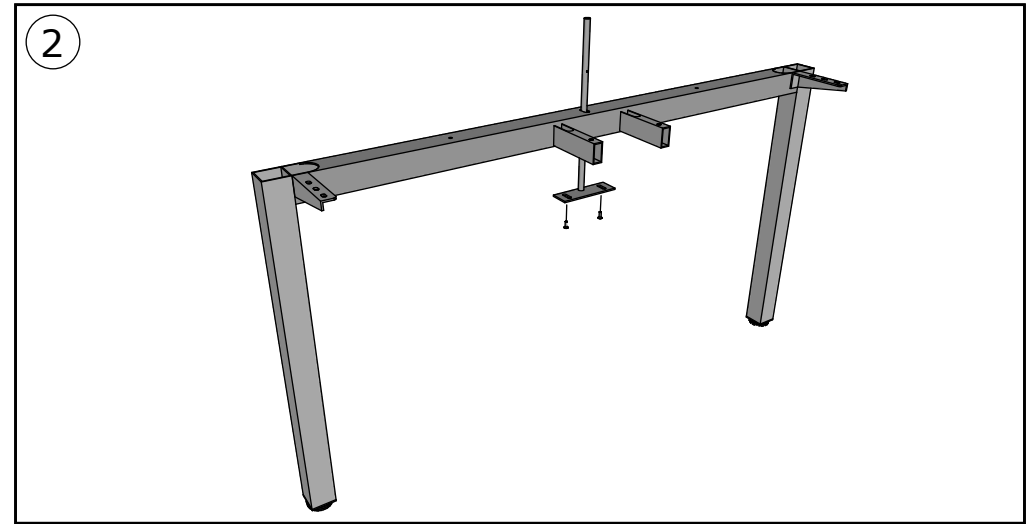
# AXIS SYSTEM WORKSTATION

## Installation Guide

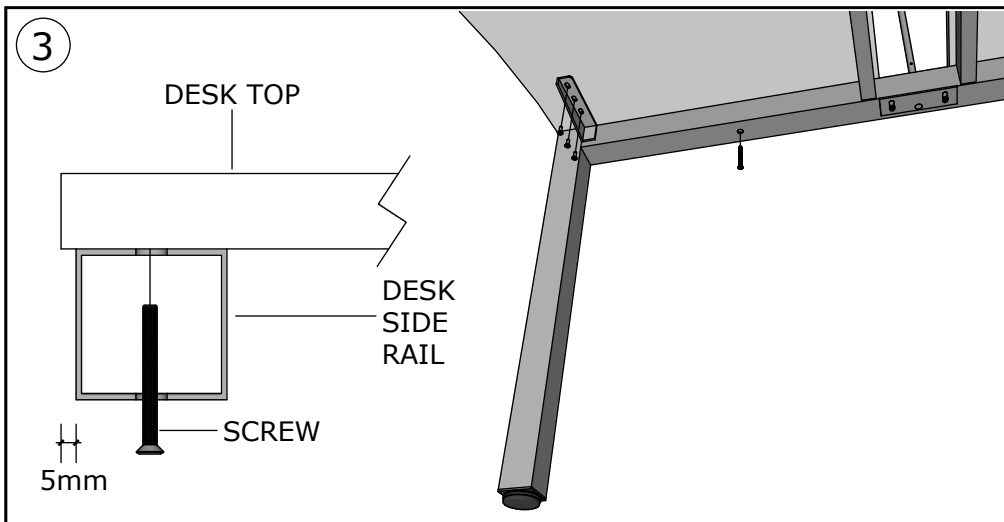
Axis/Anvil System Workstation	3
Axis/Anvil System Straightline	8
Axis/Anvil System 120°	13
Axis/Anvil Single Workstation	17
Axis/Anvil Single Desk	19
Axis/Anvil Hung Screen	21
Axis/Anvil CKD Legs	23



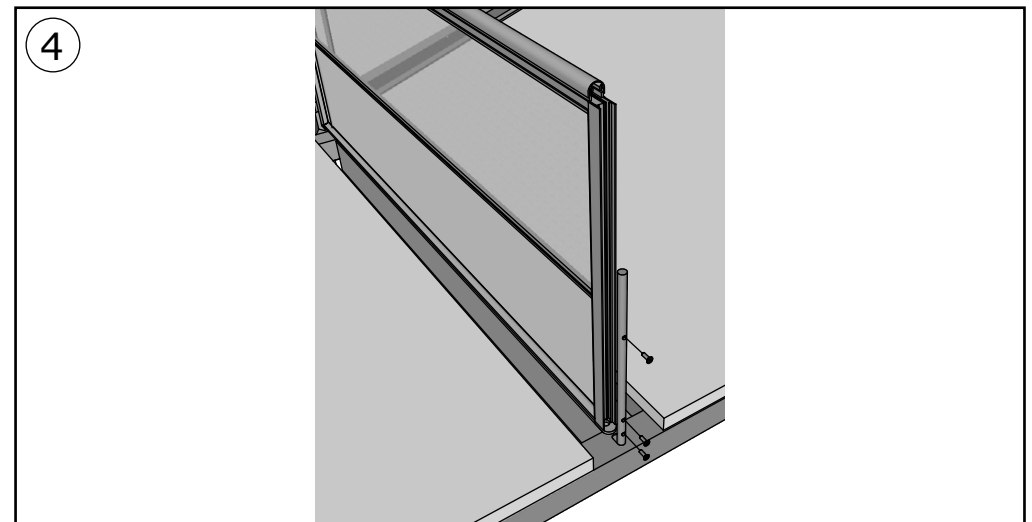
Assemble frames & rails together, loosely (1 turn from tight).



Assemble screen brackets to frame, loosely (1 turn from tight).



Fix desk top with 5mm overhang over metal frame. Where desktops butt together, make sure these are fitted tight together.



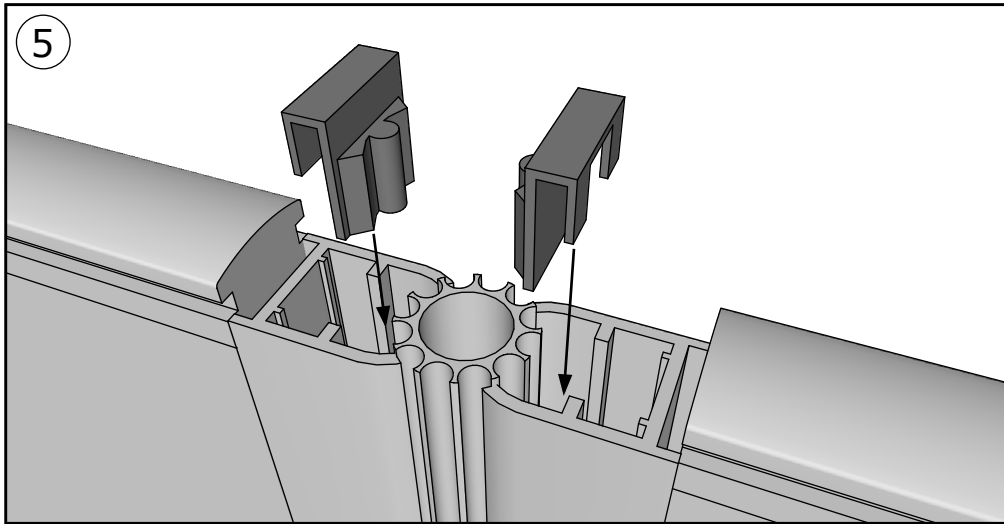
Carefully remove end seal on screen & fit screen between end brackets & screw self tappers to fix screen tightly.



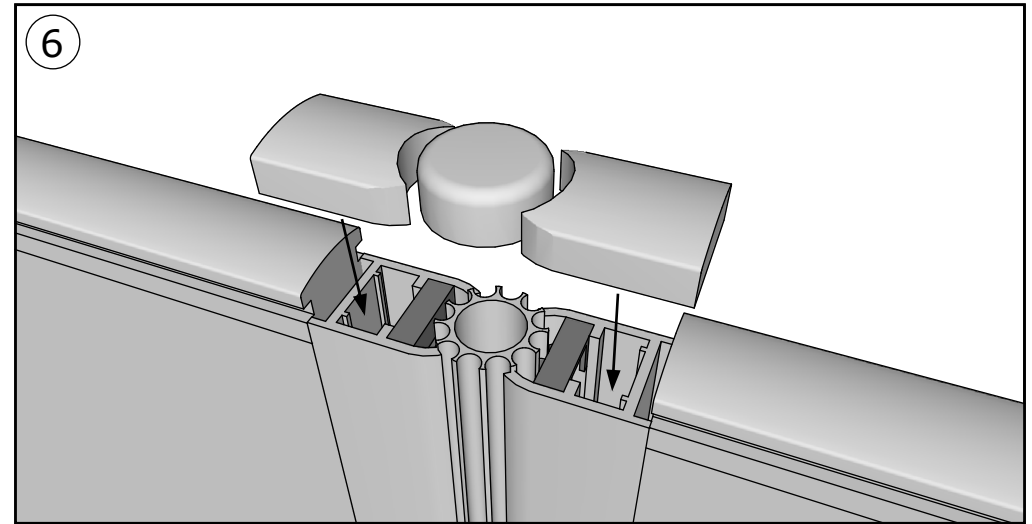
# AXIS SYSTEM WORKSTATION

## Installation Guide

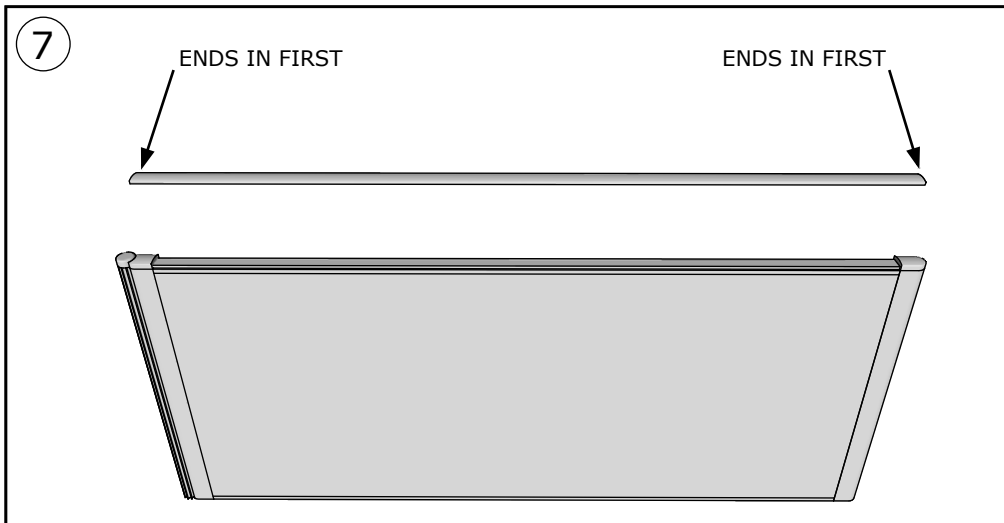
Axis/Anvil System Workstation	3
Axis/Anvil System Straightline	8
Axis/Anvil System 120°	13
Axis/Anvil Single Workstation	17
Axis/Anvil Single Desk	19
Axis/Anvil Hung Screen	21
Axis/Anvil CKD Legs	23



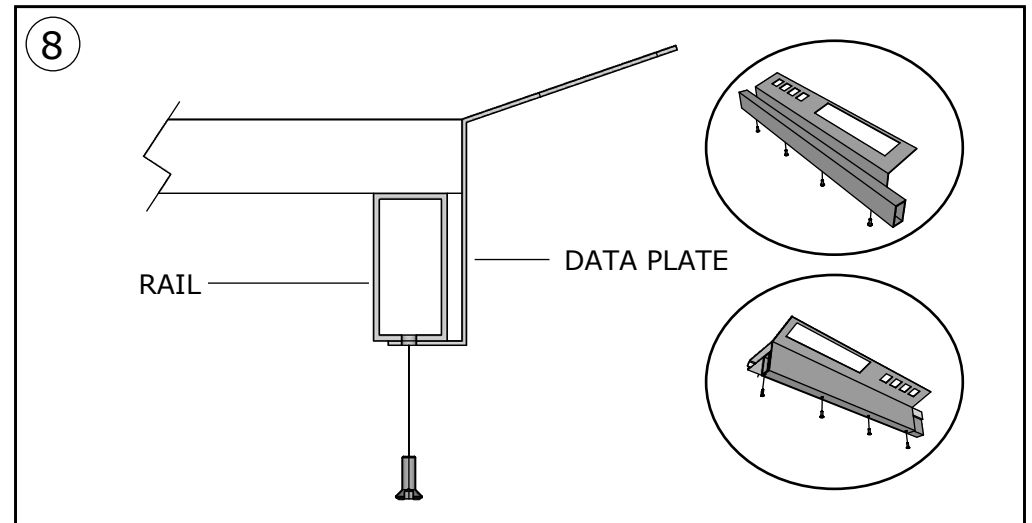
5 Slide screen pole over bracket & attach screens to pole with top slug connectors.



6 If not using wing screens then gently attach the 3 caps simultaneously tapping into position.



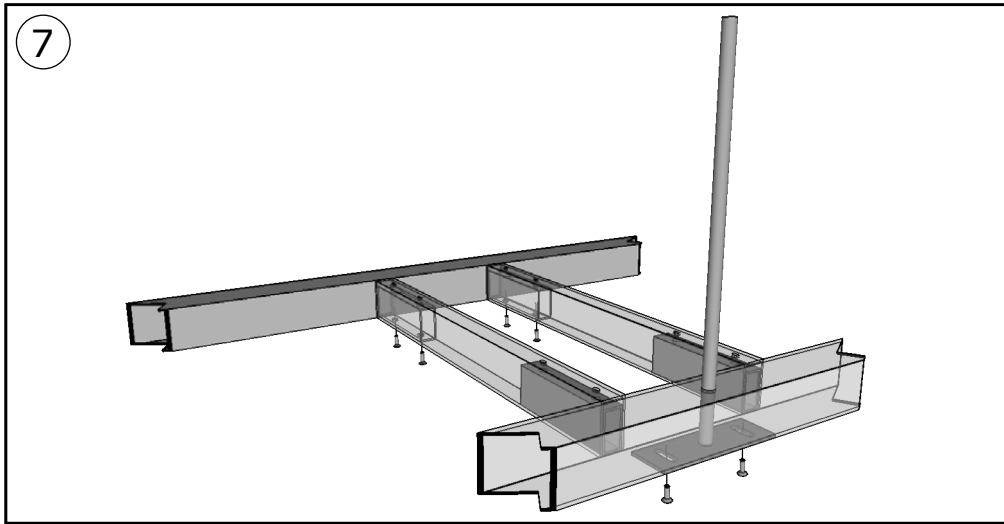
7 If for whatever reason you have to remove the top seal, then to refit, slightly arc in the middle, placing the 2 ends into location, & gently tap down.



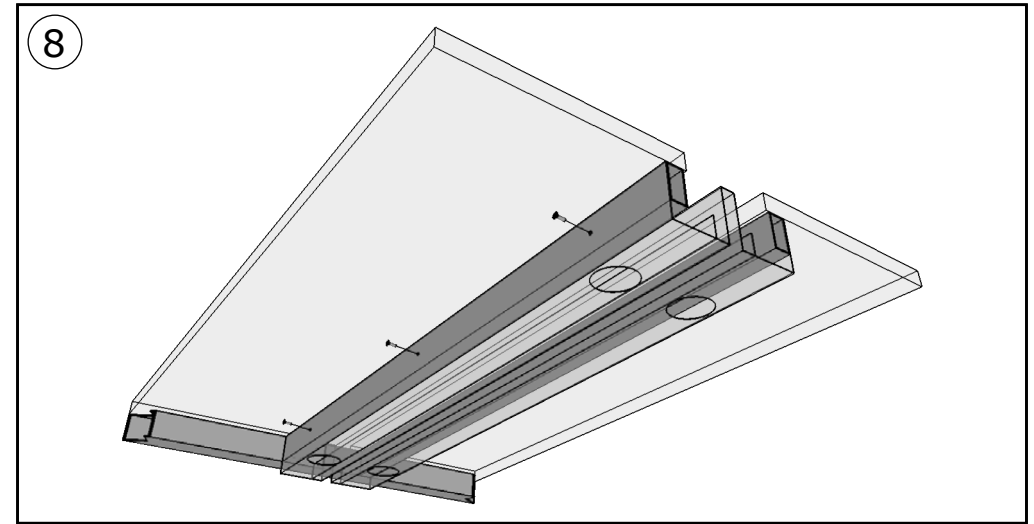
8 Fit data rails with screws into rails.

# AXIS SYSTEM WORKSTATION Installation Guide

Axis/Anvil System Workstation	3
Axis/Anvil System Straightline	8
Axis/Anvil System 120°	13
Axis/Anvil Single Workstation	17
Axis/Anvil Single Desk	19
Axis/Anvil Hung Screen	21
Axis/Anvil CKD Legs	23



Fully tighten all rails to frame screws, & then screen bracket screws.

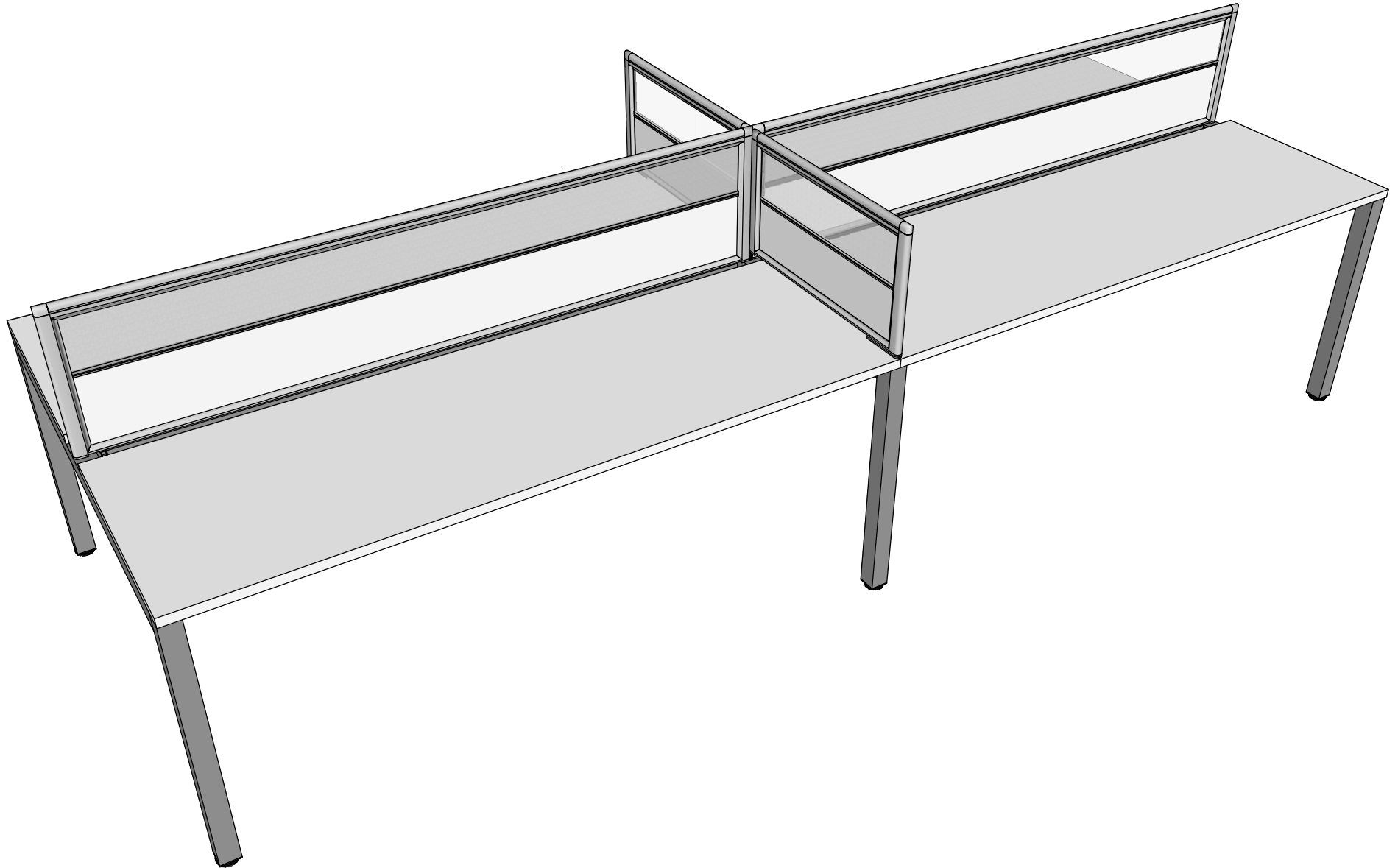


Attach cable trays with screws provided.

# AXIS SYSTEM STRAIGHTLINE

## Installation Guide

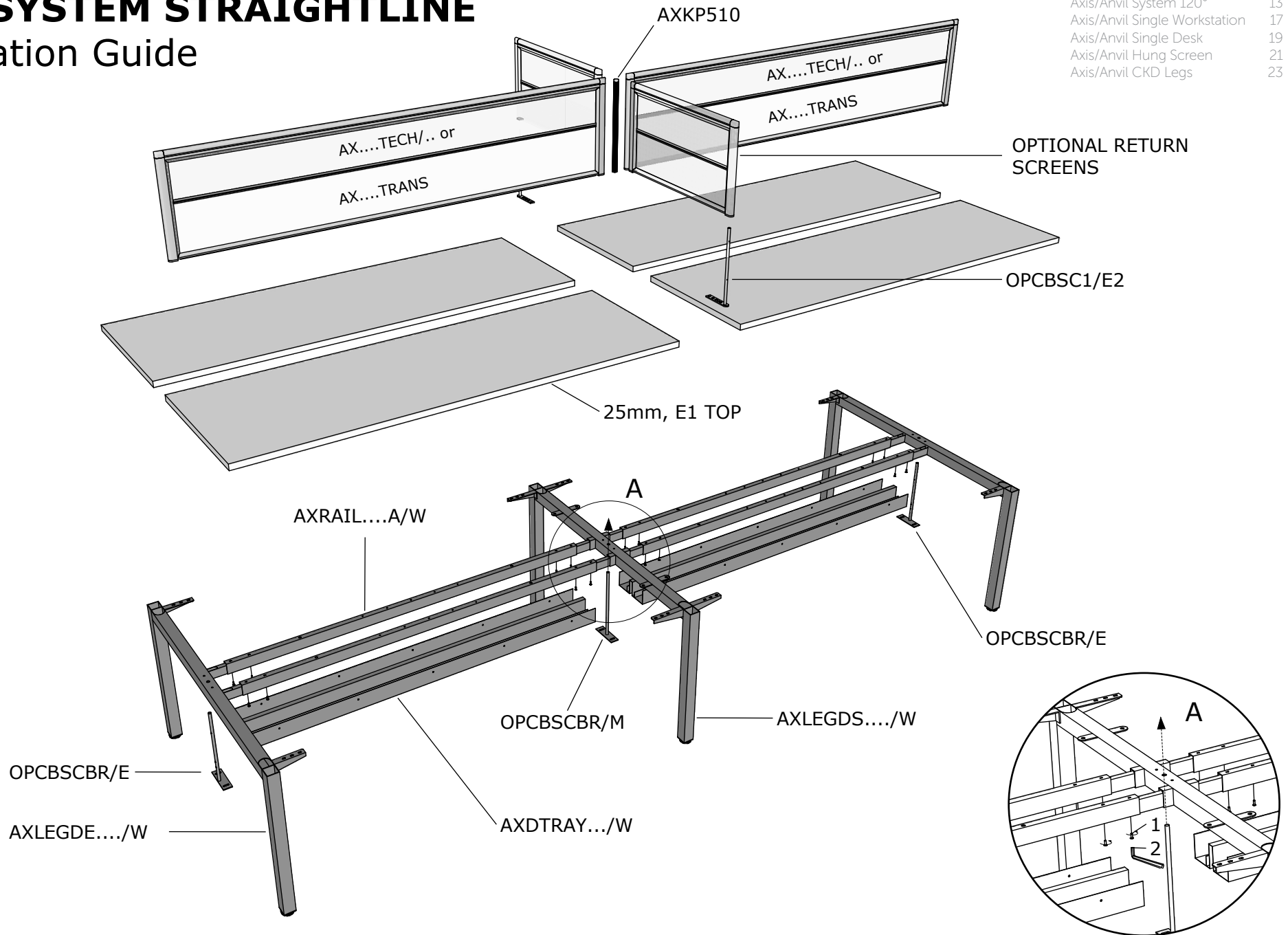
Axis/Anvil System Workstation	3
<b>Axis/Anvil System Straightline</b>	<b>8</b>
Axis/Anvil System 120°	13
Axis/Anvil Single Workstation	17
Axis/Anvil Single Desk	19
Axis/Anvil Hung Screen	21
Axis/Anvil CKD Legs	23



# AXIS SYSTEM STRAIGHTLINE

## Installation Guide

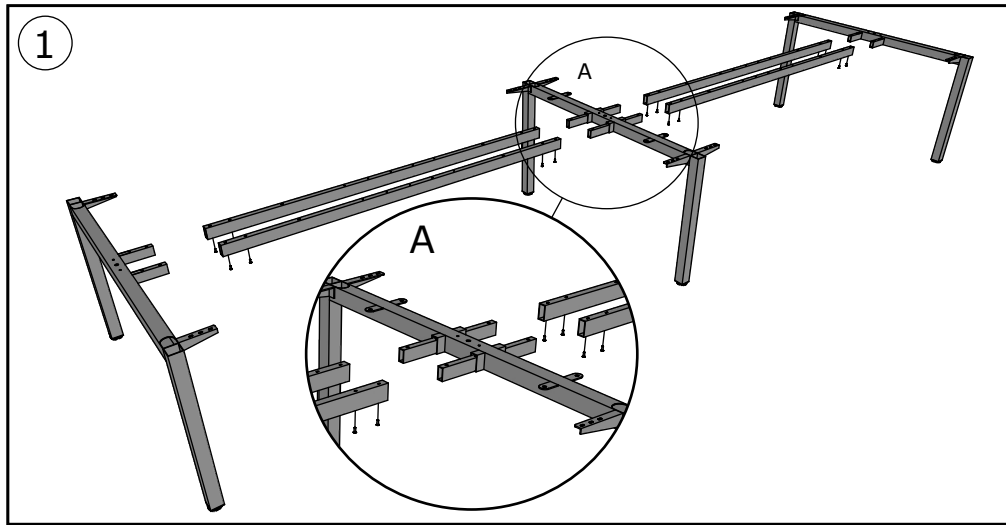
Axis/Anvil System Workstation	3
Axis/Anvil System Straightline	8
Axis/Anvil System 120°	13
Axis/Anvil Single Workstation	17
Axis/Anvil Single Desk	19
Axis/Anvil Hung Screen	21
Axis/Anvil CKD Legs	23



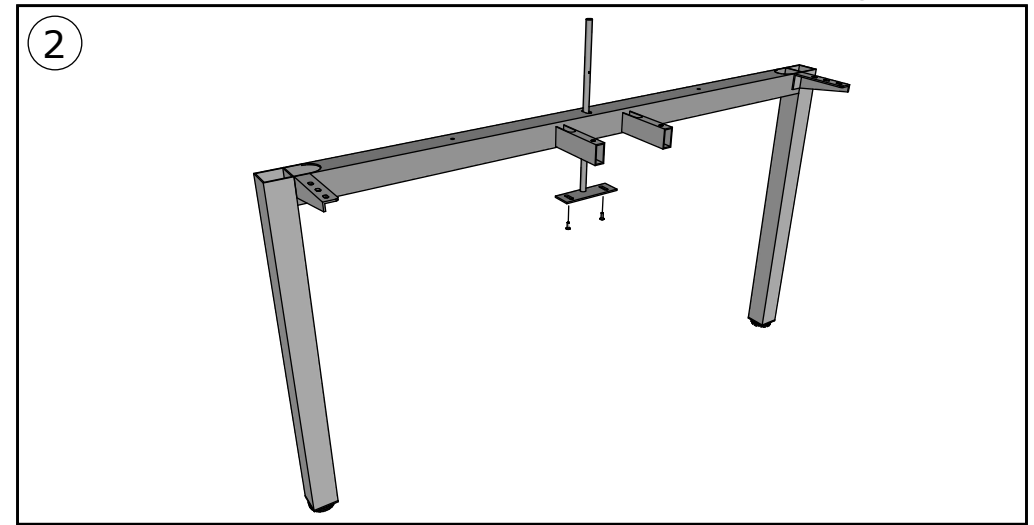
Axis/Anvil System Workstation	3
Axis/Anvil System Straightline	8
Axis/Anvil System 120°	13
Axis/Anvil Single Workstation	17
Axis/Anvil Single Desk	19
Axis/Anvil Hung Screen	21
Axis/Anvil CKD Legs	23

# AXIS SYSTEM STRAIGHTLINE

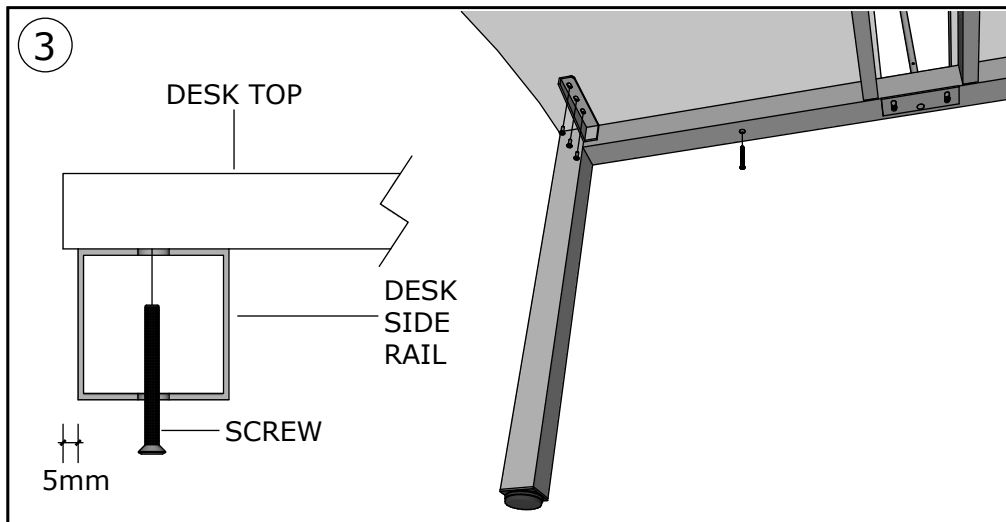
## Installation Guide



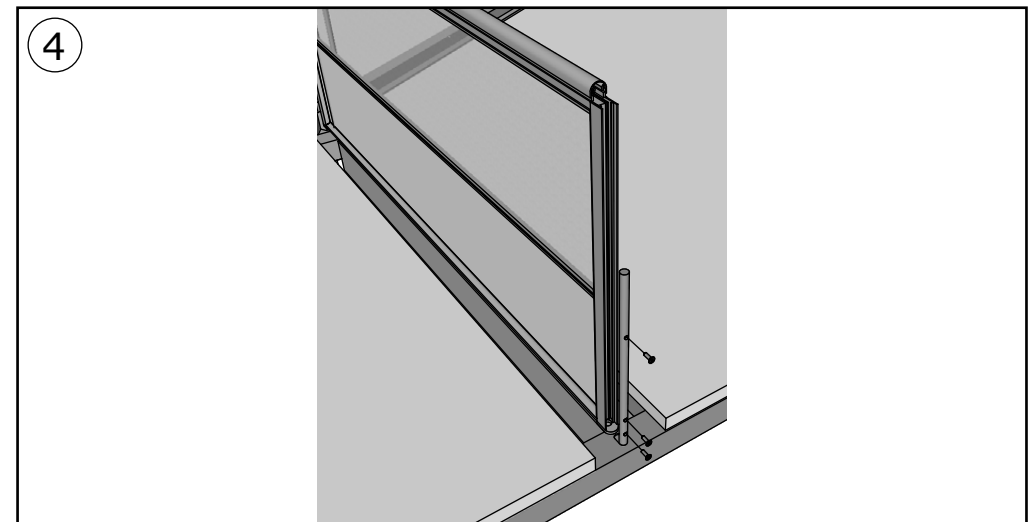
Assemble frames & rails together, loosely (1 turn from tight).



Assemble screen brackets to frame, loosely (1 turn from tight).



Fix desk top with 5mm overhang over metal frame. Where desktops butt together, make sure these are fitted tight together.

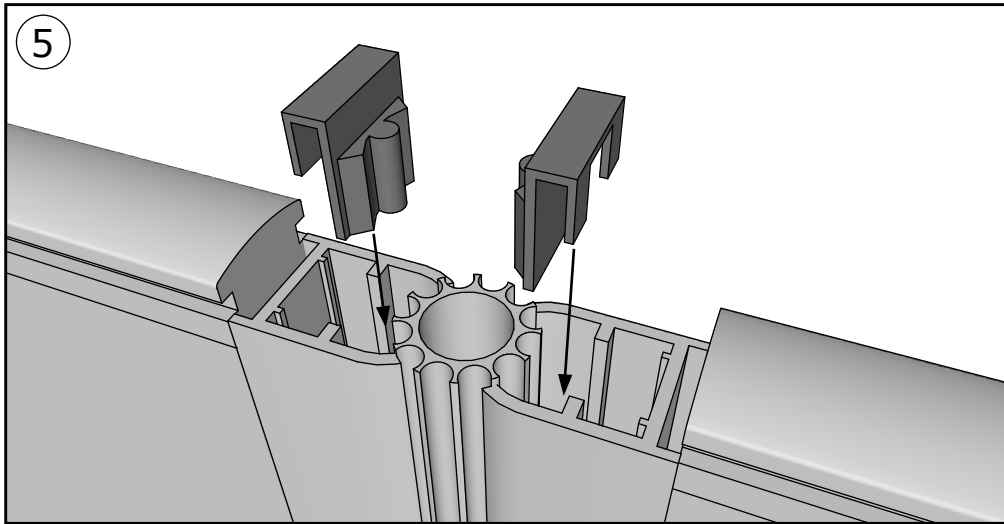


Carefully remove end seal on screen & fit screen between end brackets & screw self tappers to fix screen tightly.

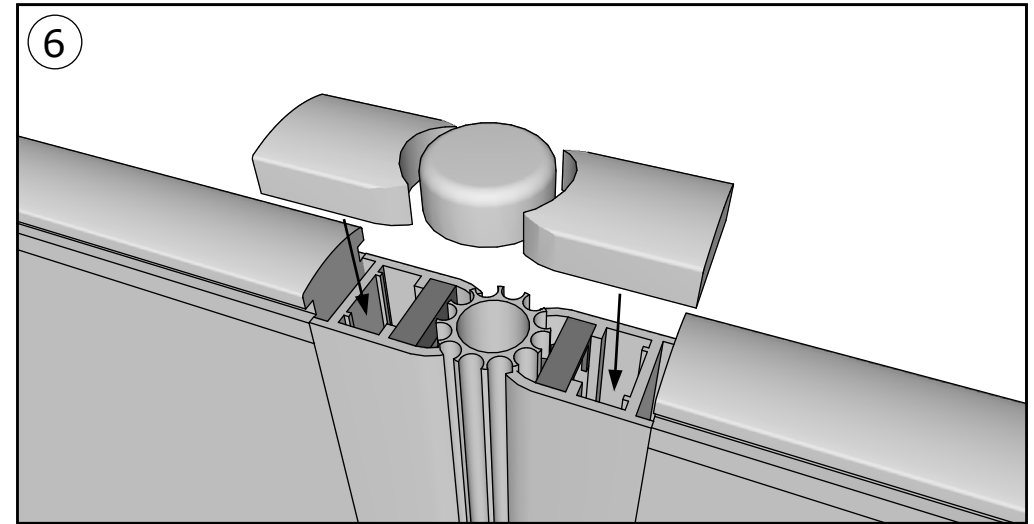
# AXIS SYSTEM STRAIGHTLINE

## Installation Guide

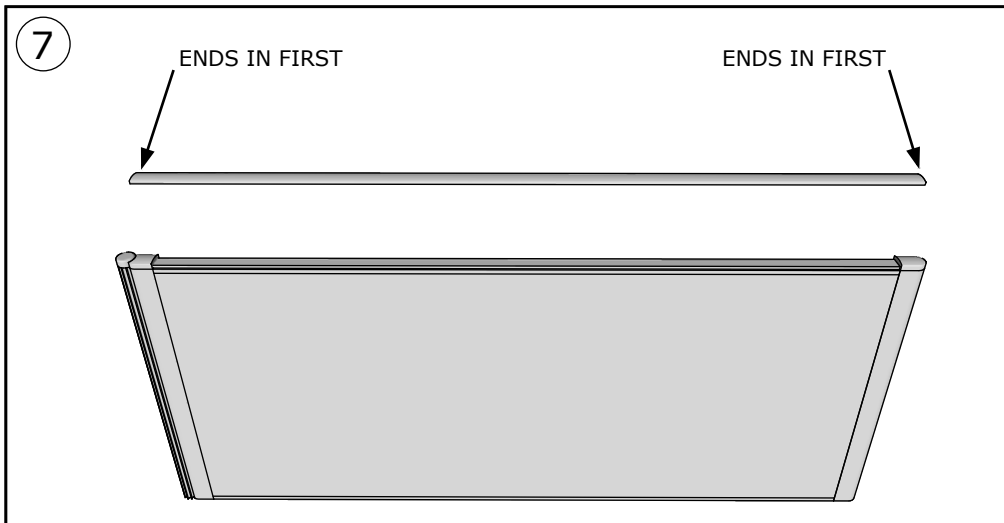
Axis/Anvil System Workstation	3
Axis/Anvil System Straightline	8
Axis/Anvil System 120°	13
Axis/Anvil Single Workstation	17
Axis/Anvil Single Desk	19
Axis/Anvil Hung Screen	21
Axis/Anvil CKD Legs	23



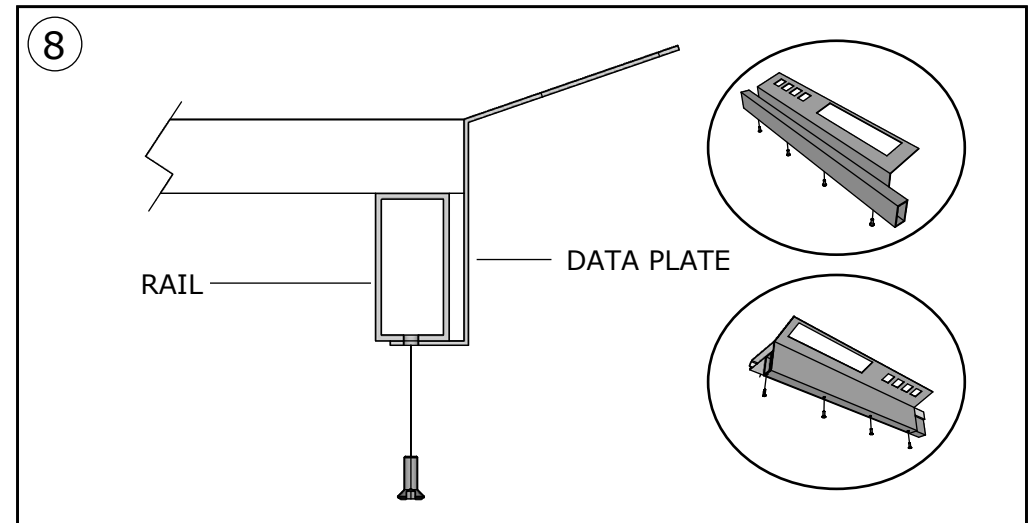
5 Slide screen pole over bracket & attach screens to pole with top slug connectors.



6 If not using wing screens then gently attach the 3 caps simultaneously tapping into position.



7 If for whatever reason you have to remove the top seal, then to refit, slightly arc in the middle, placing the 2 ends into location, & gently tap down.



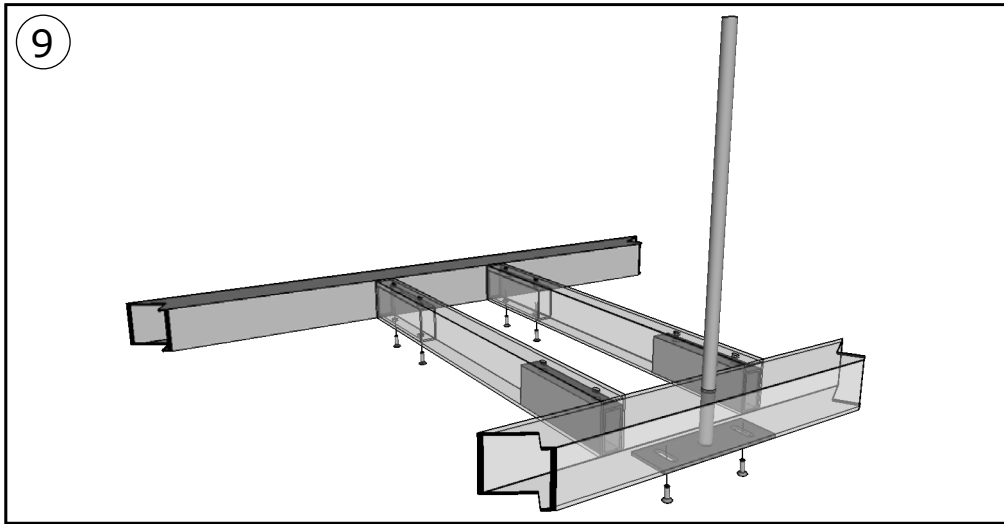
8 Fit data rails with screws into rails.



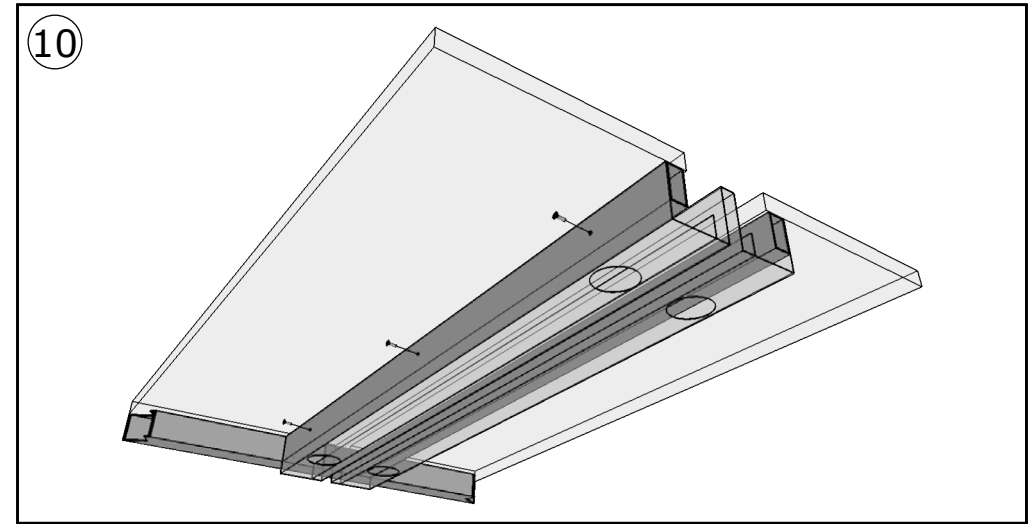
# AXIS SYSTEM STRAIGHTLINE

## Installation Guide

Axis/Anvil System Workstation	3
<b>Axis/Anvil System Straightline</b>	<b>8</b>
Axis/Anvil System 120°	13
Axis/Anvil Single Workstation	17
Axis/Anvil Single Desk	19
Axis/Anvil Hung Screen	21
Axis/Anvil CKD Legs	23



Fully tighten all rails to frame screws, & then screen bracket screws.

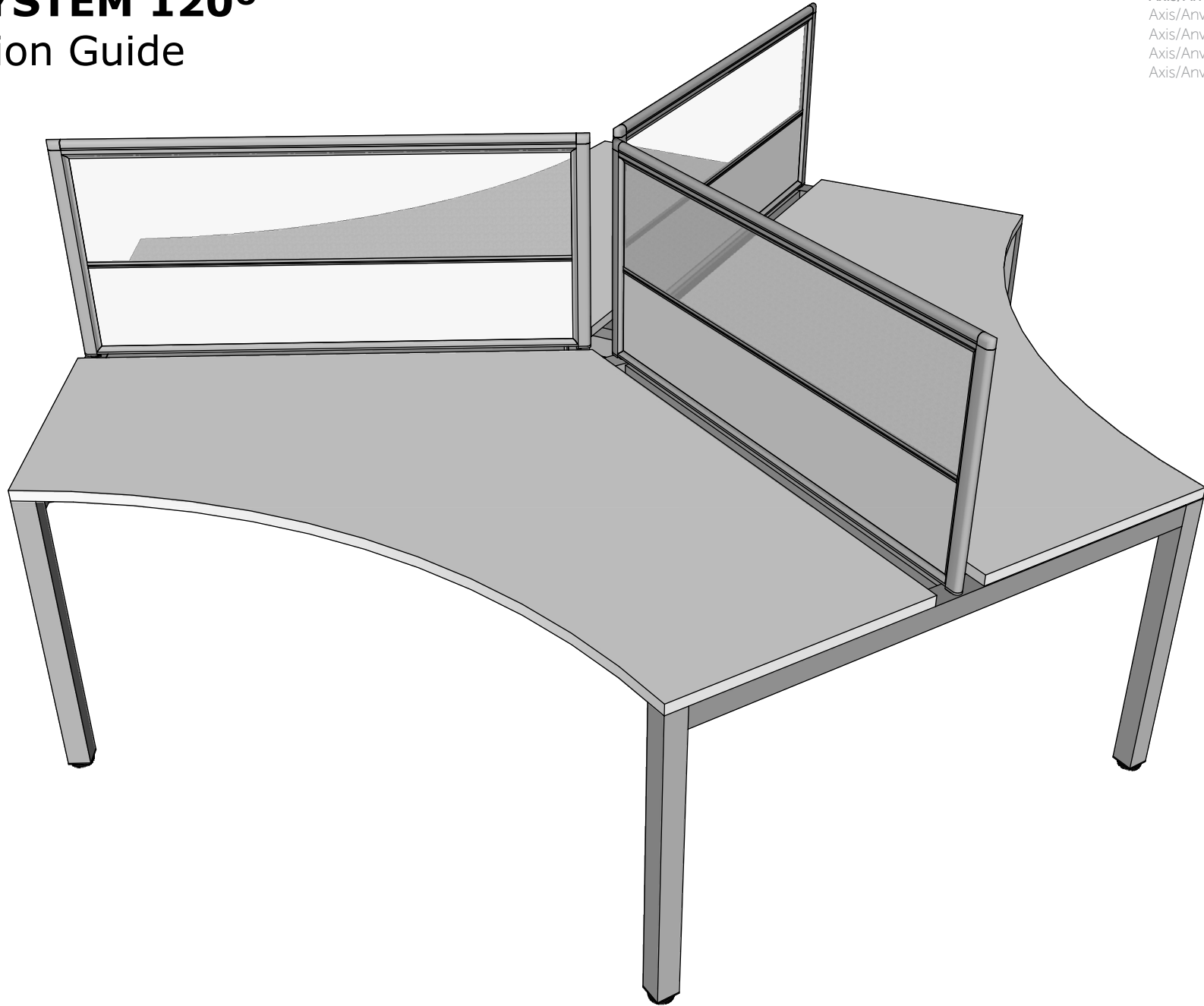


Attach cable trays with screws provided.

# AXIS SYSTEM 120°

## Installation Guide

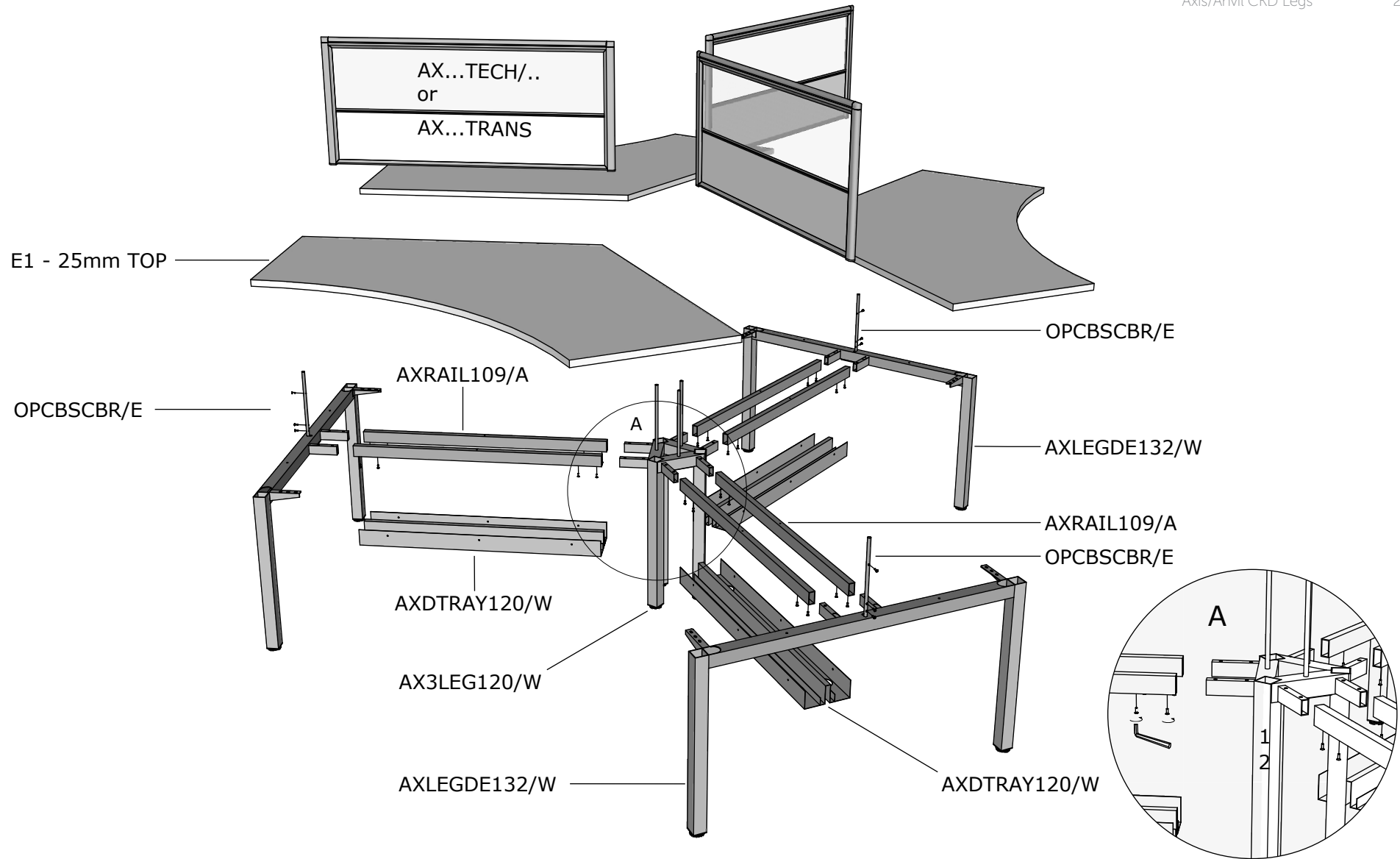
Axis/Anvil System Workstation	3
Axis/Anvil System Straightline	8
<b>Axis/Anvil System 120°</b>	<b>13</b>
Axis/Anvil Single Workstation	17
Axis/Anvil Single Desk	19
Axis/Anvil Hung Screen	21
Axis/Anvil CKD Legs	23



# AXIS SYSTEM 120°

## Installation Guide

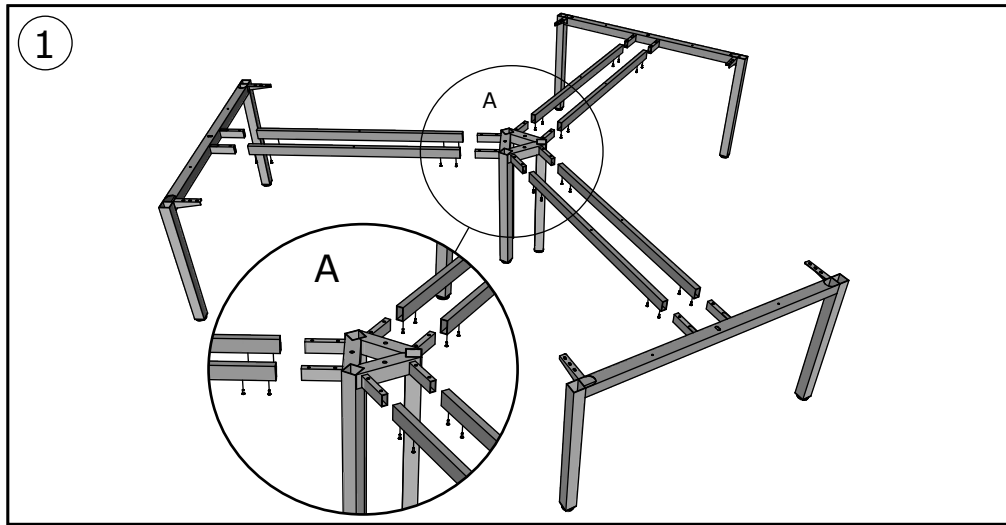
Axis/Anvil System Workstation	3
Axis/Anvil System Straightline	8
<b>Axis/Anvil System 120°</b>	<b>13</b>
Axis/Anvil Single Workstation	17
Axis/Anvil Single Desk	19
Axis/Anvil Hung Screen	21
Axis/Anvil CKD Legs	23



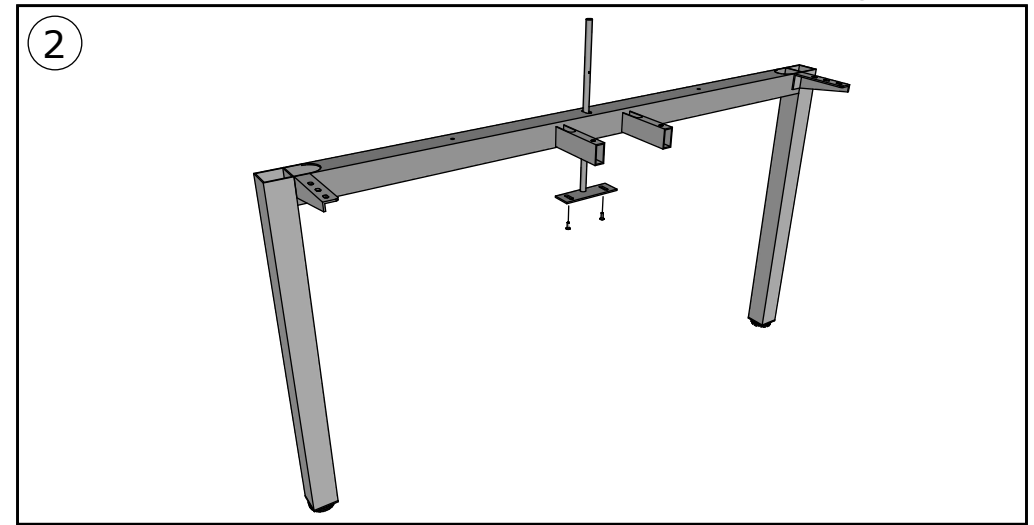
# AXIS SYSTEM 120°

## Installation Guide

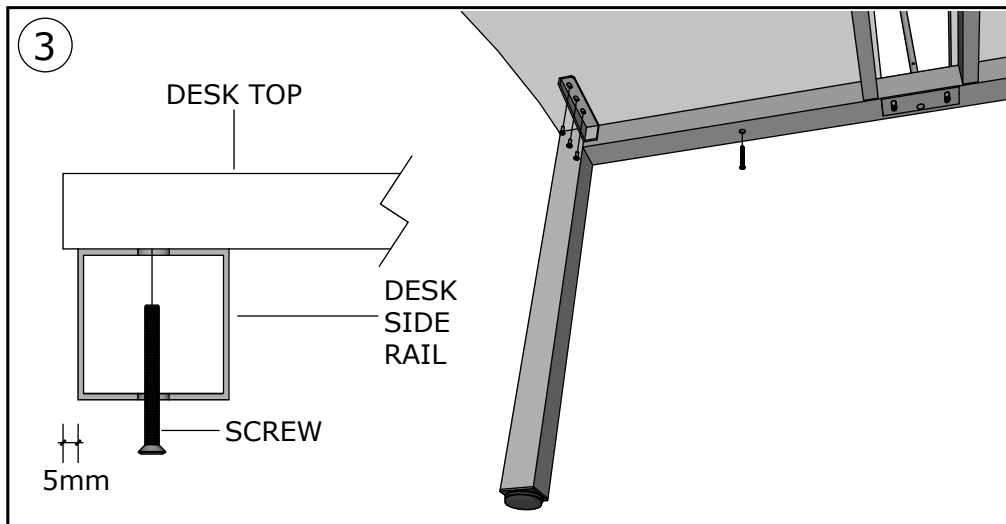
Axis/Anvil System Workstation	3
Axis/Anvil System Straightline	8
<b>Axis/Anvil System 120°</b>	<b>13</b>
Axis/Anvil Single Workstation	17
Axis/Anvil Single Desk	19
Axis/Anvil Hung Screen	21
Axis/Anvil CKD Legs	23



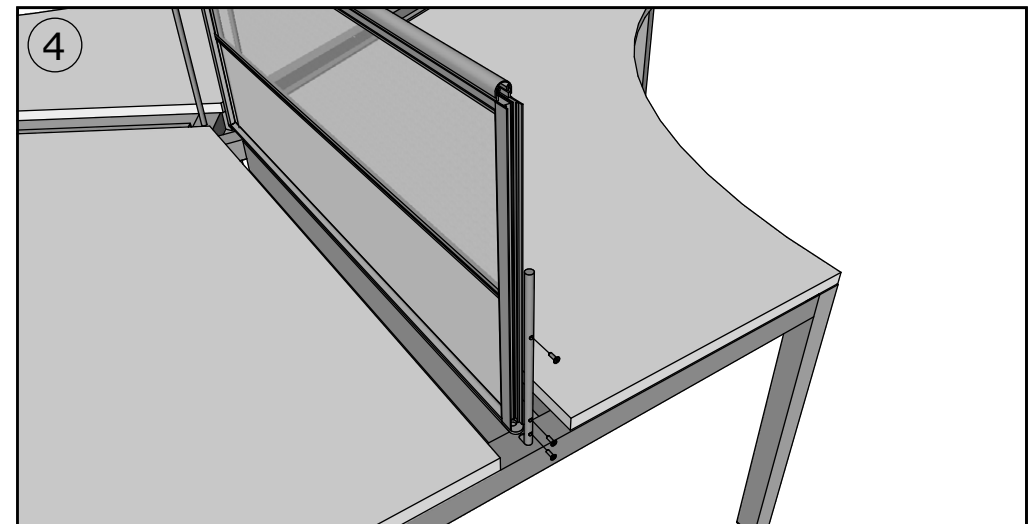
Assemble frames & rails together, loosely (1 turn from tight).



Assemble screen brackets to frame, loosely (1 turn from tight).



Fix desk top with 5mm overhang over metal frame. Where desktops butt together, make sure these are fitted tight together.

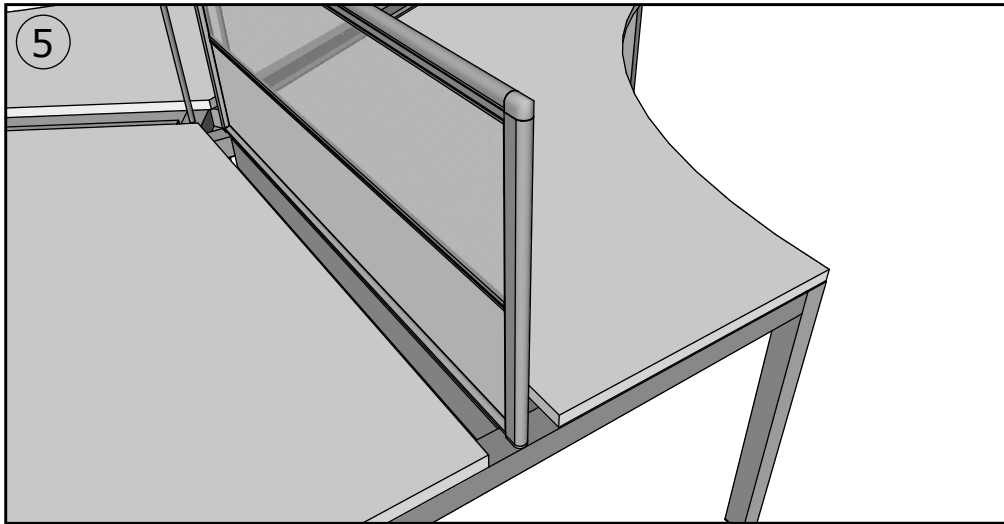


Carefully remove end seal on screen & fit screen between end brackets & screw self tappers to fix screen tightly.

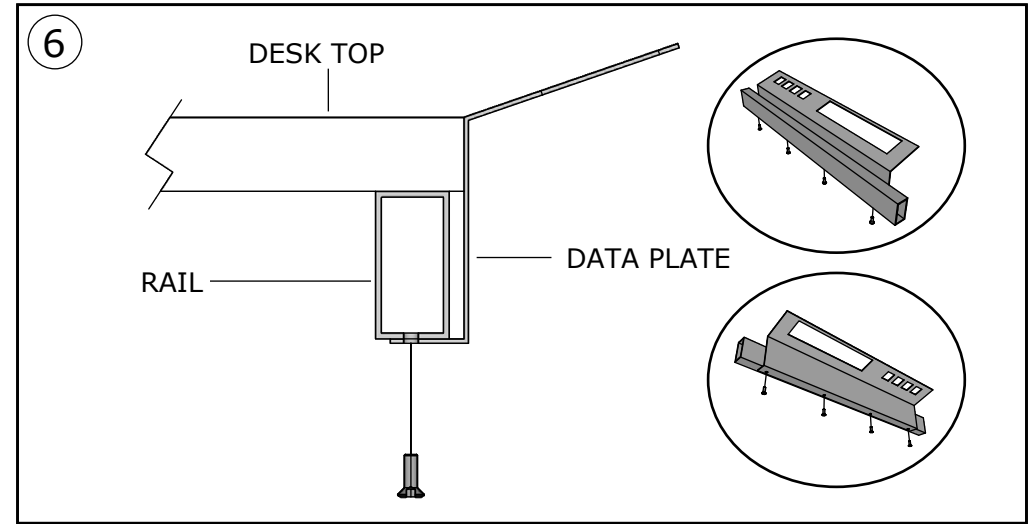
# AXIS SYSTEM 120°

## Installation Guide

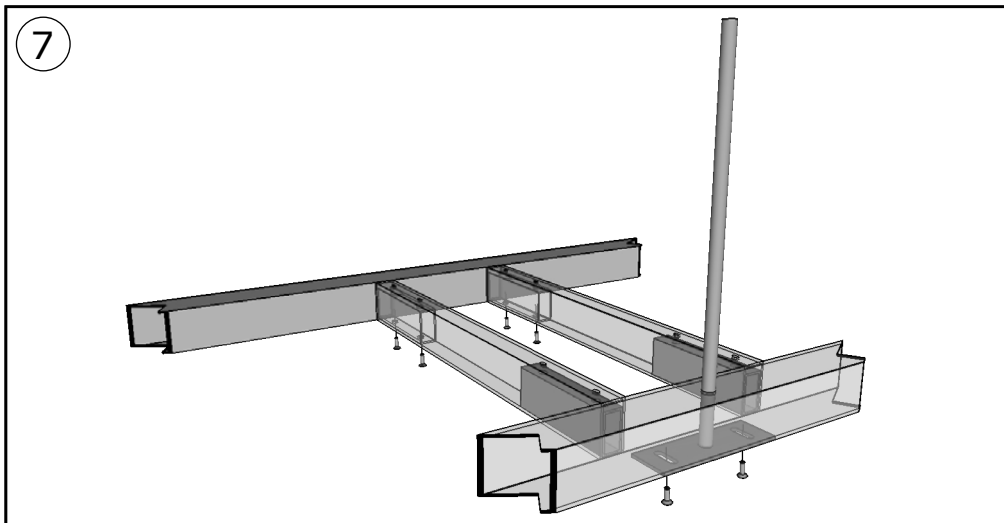
Axis/Anvil System Workstation	3
Axis/Anvil System Straightline	8
<b>Axis/Anvil System 120°</b>	<b>13</b>
Axis/Anvil Single Workstation	17
Axis/Anvil Single Desk	19
Axis/Anvil Hung Screen	21
Axis/Anvil CKD Legs	23



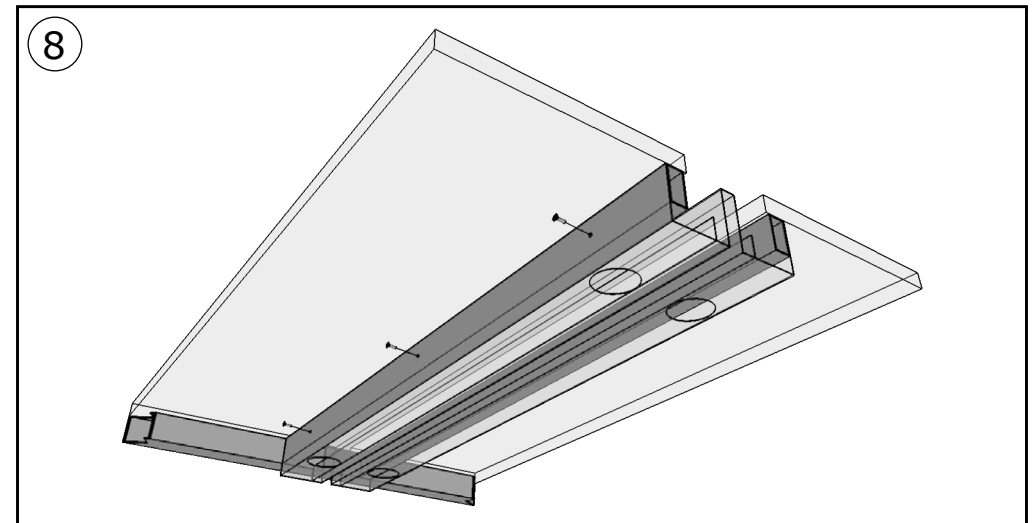
Attach screen end seals with soft non-marking mallet.



Fit data rails with screws into rails.



Fully tighten all rails to frame screws, & then screen bracket screws.

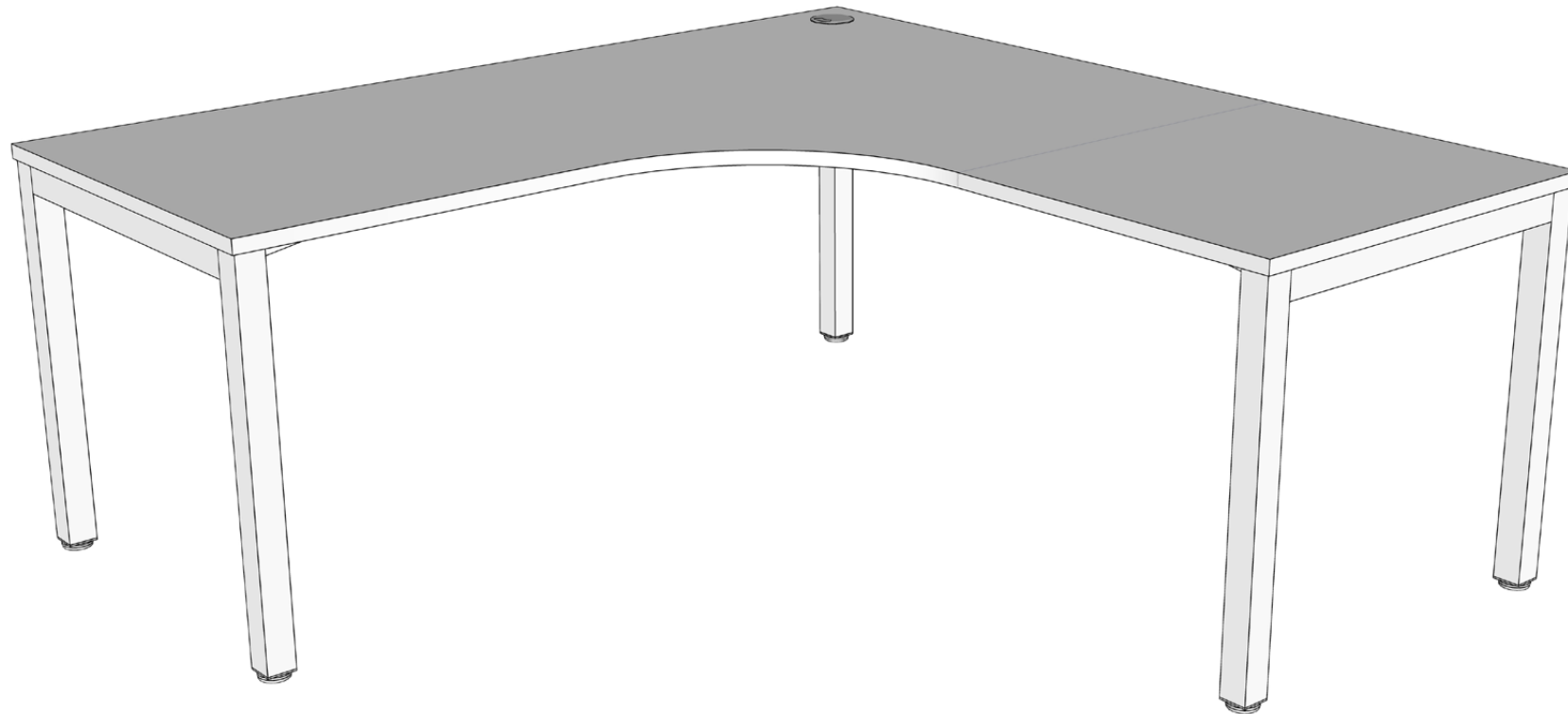


Attach cable trays with screws provided.

# AXIS WORKSTATION

## Installation Guide

Axis/Anvil System Workstation	3
Axis/Anvil System Straightline	8
Axis/Anvil System 120°	13
<b>Axis/Anvil Single Workstation</b>	<b>17</b>
Axis/Anvil Single Desk	19
Axis/Anvil Hung Screen	21
Axis/Anvil CKD Legs	23

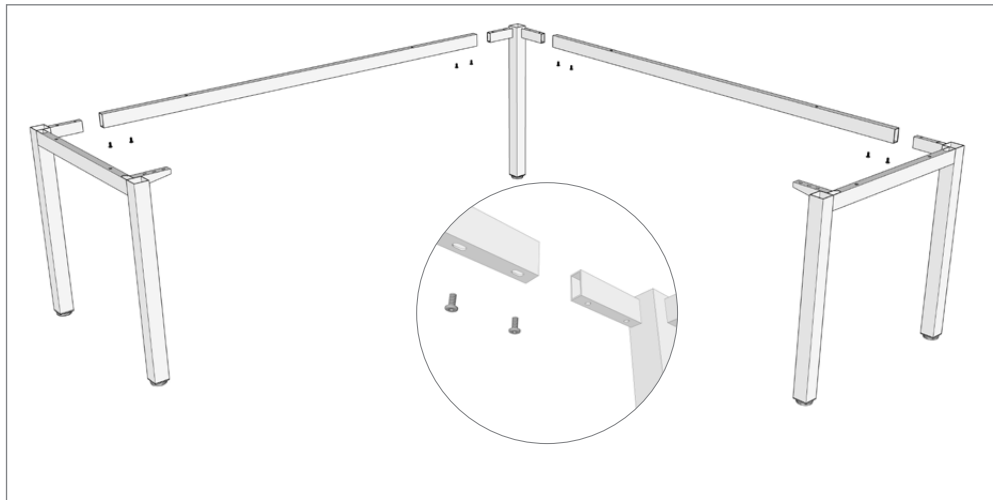
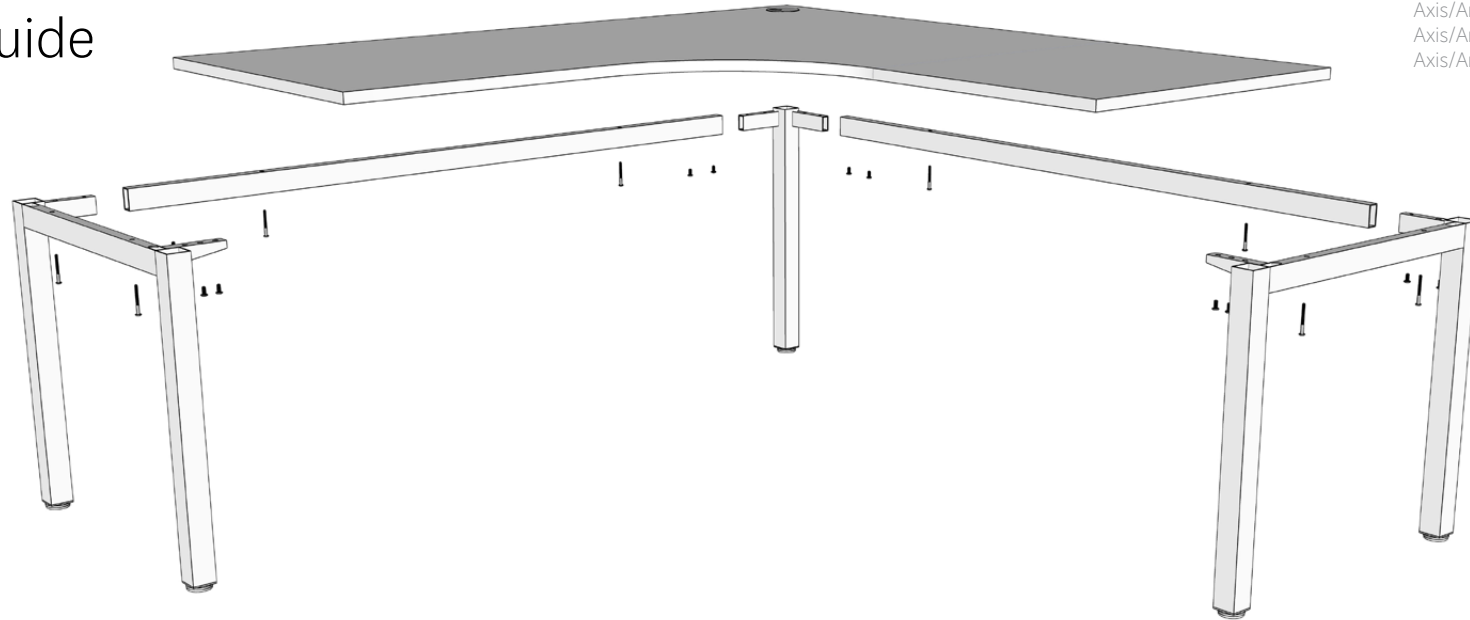




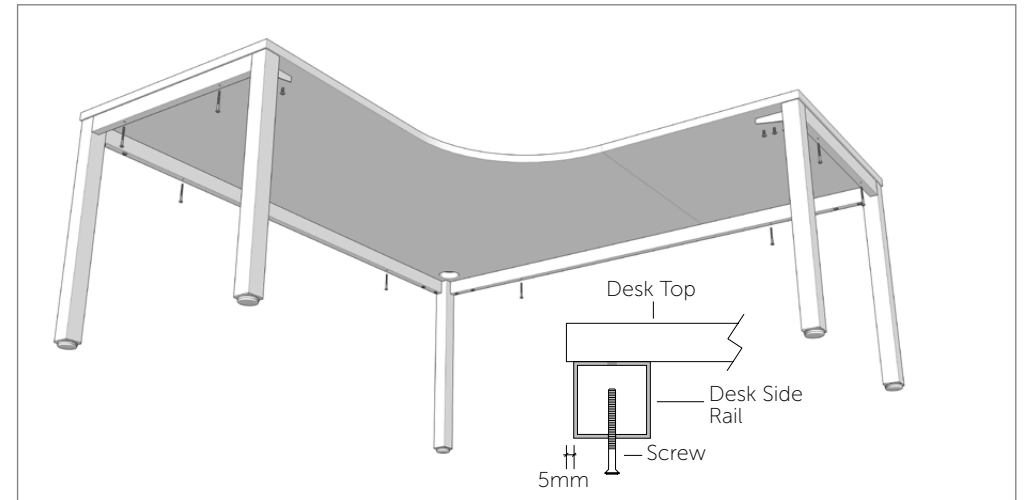
# AXIS WORKSTATION

## Installation Guide

Axis/Anvil System Workstation	3
Axis/Anvil System Straightline	8
Axis/Anvil System 120°	13
<b>Axis/Anvil Single Workstation</b>	<b>17</b>
Axis/Anvil Single Desk	19
Axis/Anvil Hung Screen	21
Axis/Anvil CKD Legs	23



**STEP 1:** Assemble frames & rails together, loosely (1 turn from tight).

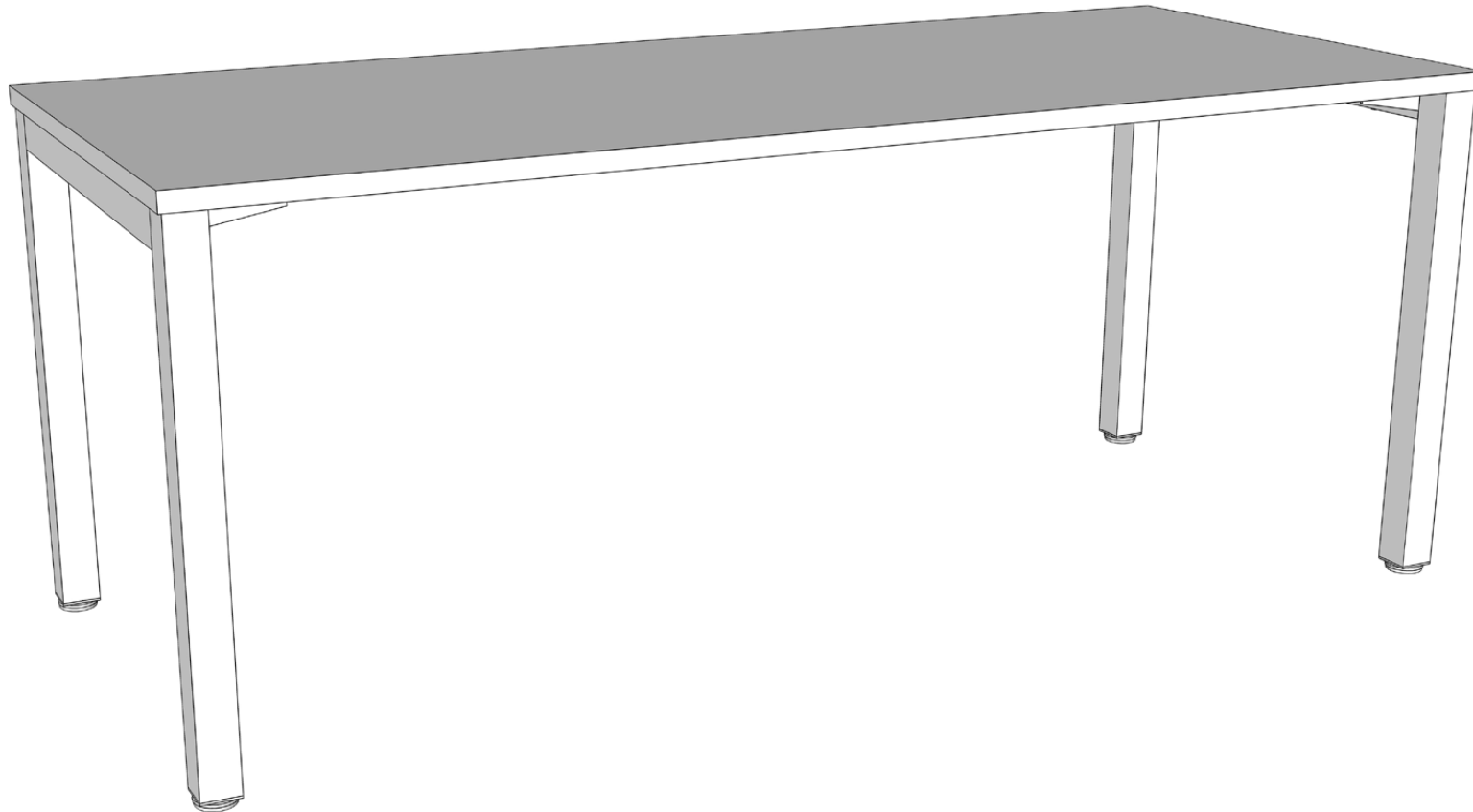


**STEP 2:** Fix desk top with 5mm overhang over metal frame. Lastly, fully tighten all rail to frame screws.

# AXIS DESK

## Installation Guide

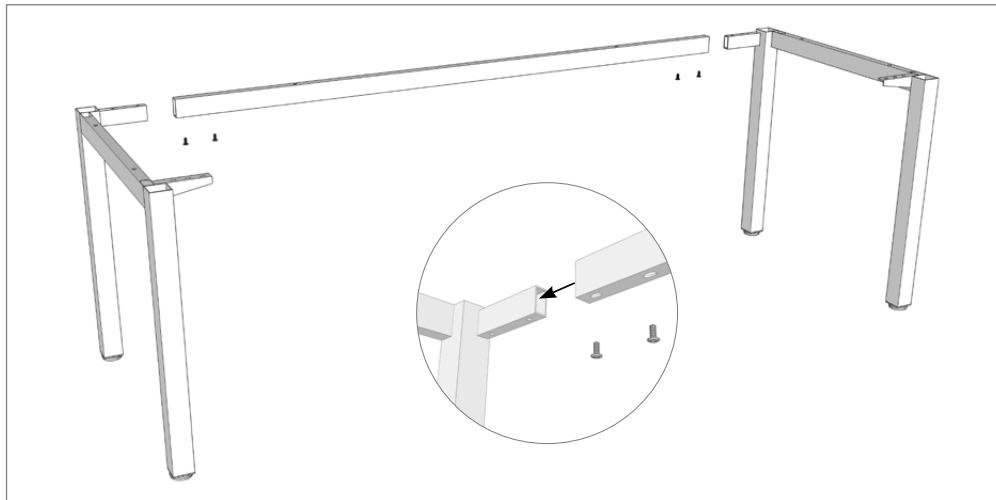
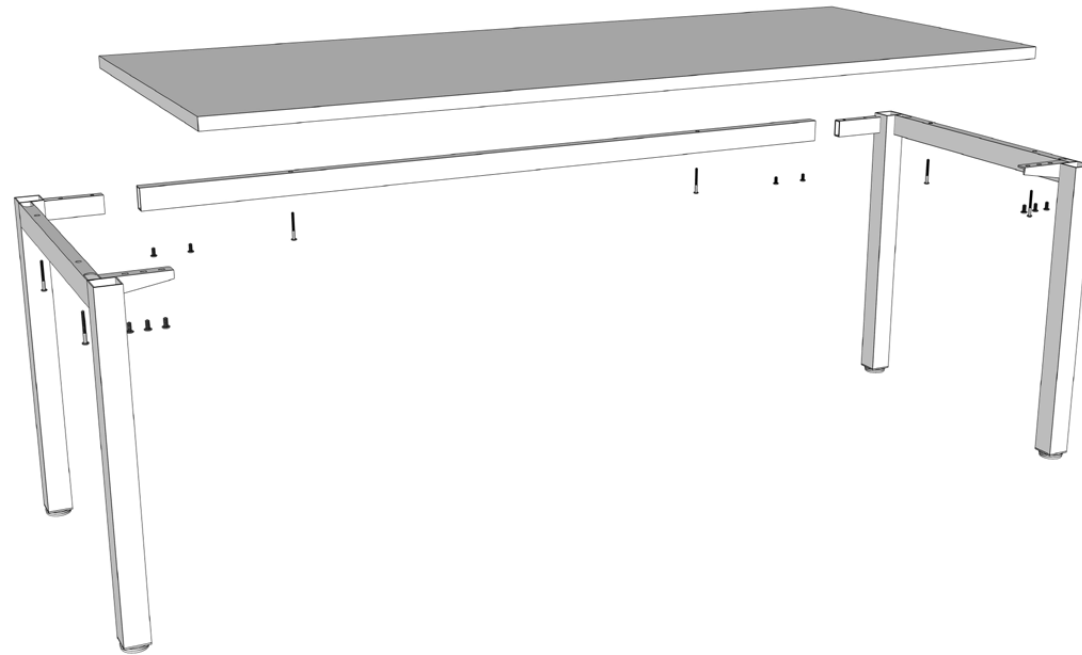
Axis/Anvil System Workstation	3
Axis/Anvil System Straightline	8
Axis/Anvil System 120°	13
Axis/Anvil Single Workstation	17
<b>Axis/Anvil Single Desk</b>	<b>19</b>
Axis/Anvil Hung Screen	21
Axis/Anvil CKD Legs	23



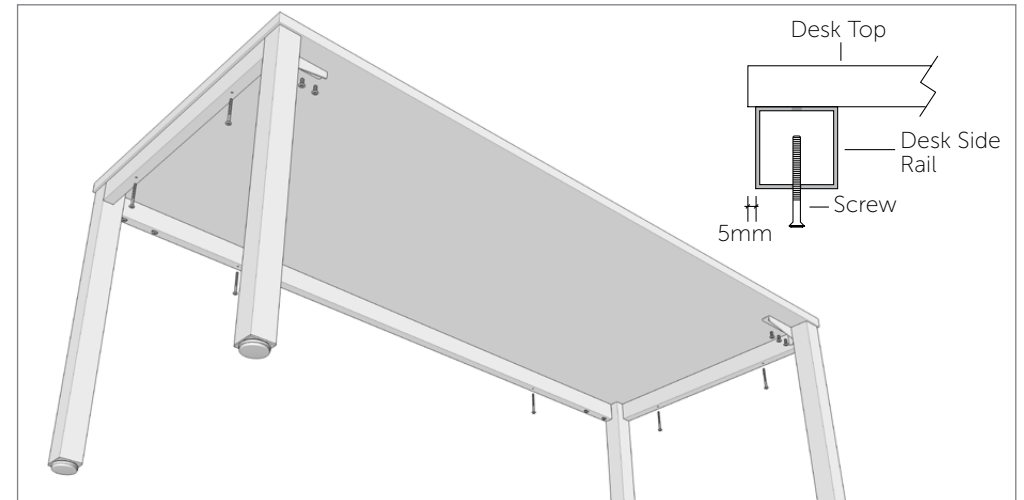
# AXIS DESK

## Installation Guide

Axis/Anvil System Workstation	3
Axis/Anvil System Straightline	8
Axis/Anvil System 120°	13
Axis/Anvil Single Workstation	17
<b>Axis/Anvil Single Desk</b>	<b>19</b>
Axis/Anvil Hung Screen	21
Axis/Anvil CKD Legs	23



**STEP 1:** Assemble frames & rails together, loosely (1 turn from tight).



**STEP 2:** Fix desk top with 5mm overhang over metal frame. Lastly, fully tighten all rail to frame screws.

# AXIS HUNG SCREEN

## Installation Guide

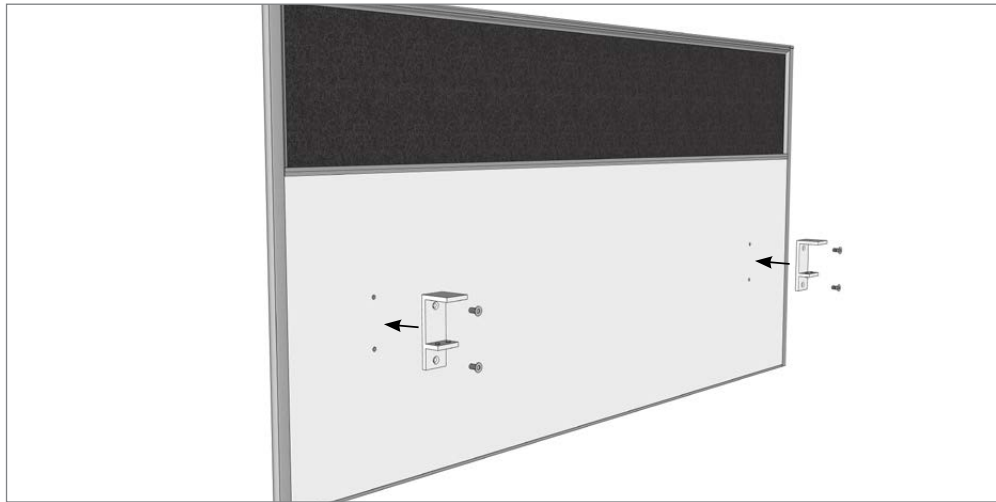
Axis/Anvil System Workstation	3
Axis/Anvil System Straightline	8
Axis/Anvil System 120°	13
Axis/Anvil Single Workstation	17
Axis/Anvil Single Desk	19
<b>Axis/Anvil Hung Screen</b>	<b>21</b>
Axis/Anvil CKD Legs	23



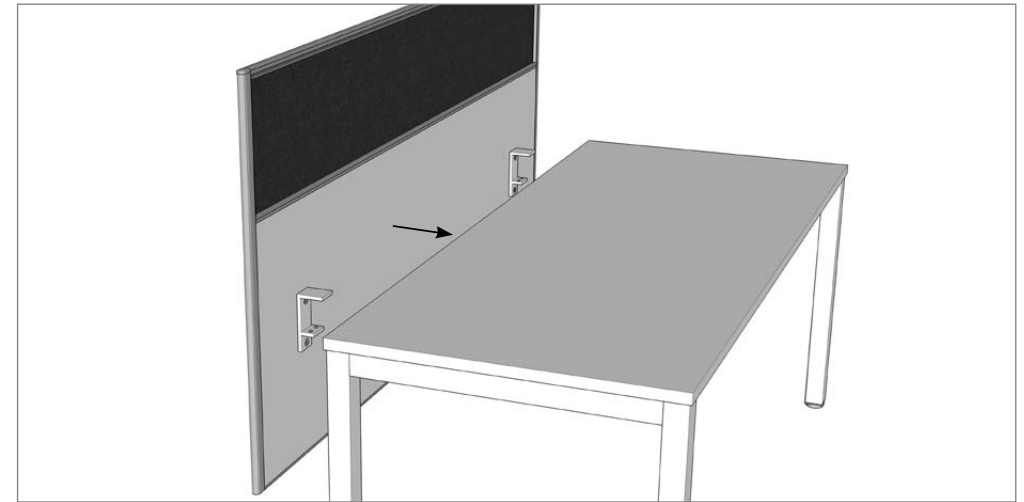
# AXIS HUNG SCREEN

## Installation Guide

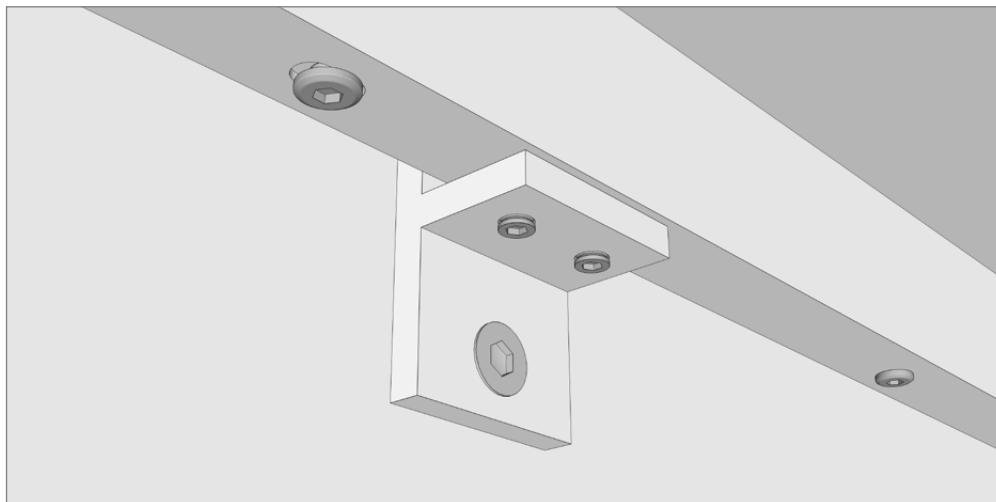
Axis/Anvil System Workstation	3
Axis/Anvil System Straightline	8
Axis/Anvil System 120°	13
Axis/Anvil Single Workstation	17
Axis/Anvil Single Desk	19
<b>Axis/Anvil Hung Screen</b>	<b>21</b>
Axis/Anvil CKD Legs	23



**STEP 1:** Fully tighten brackets onto screen.



**STEP 2:** Carefully slide the screen onto the back of the work surface, keeping the screen in the centre of the desk.

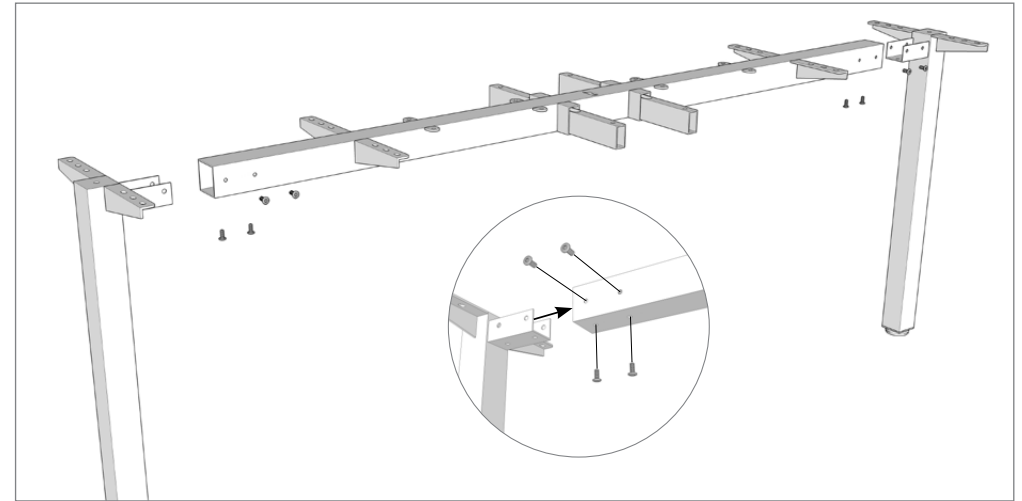
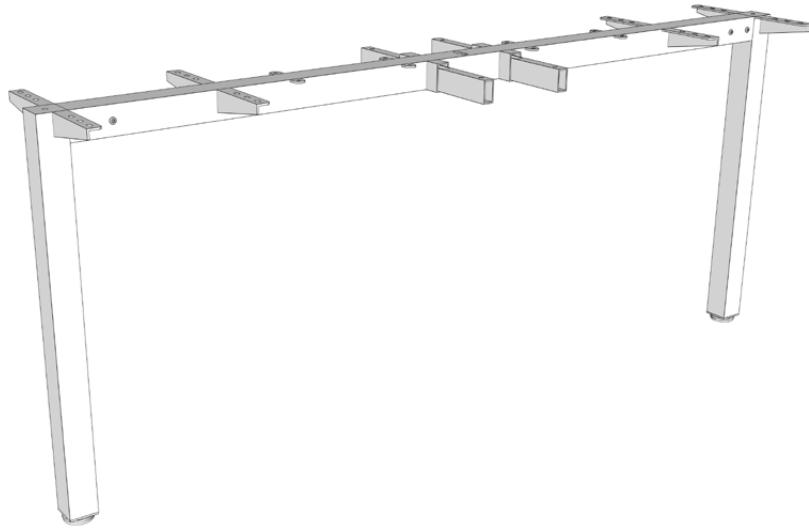


**STEP 3:** Fully tighten the small grub screws on the underside of the bracket.

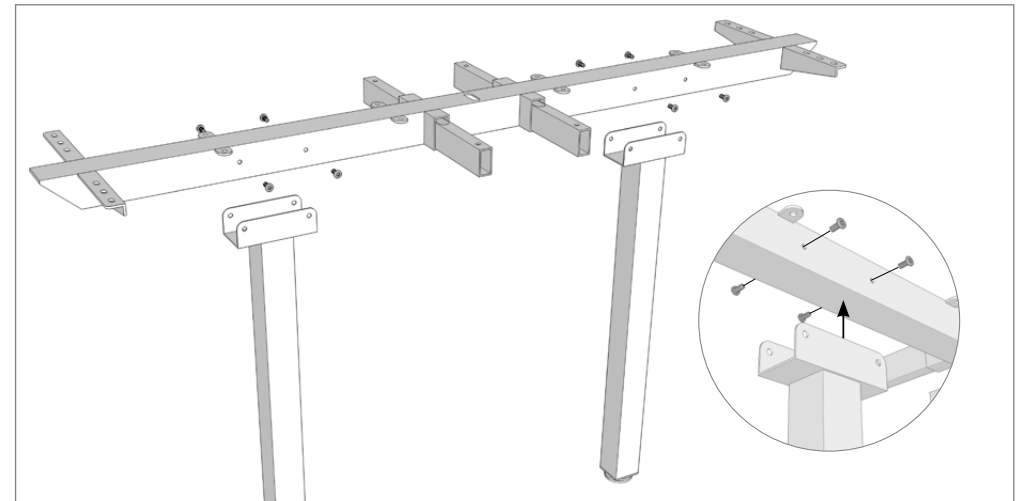
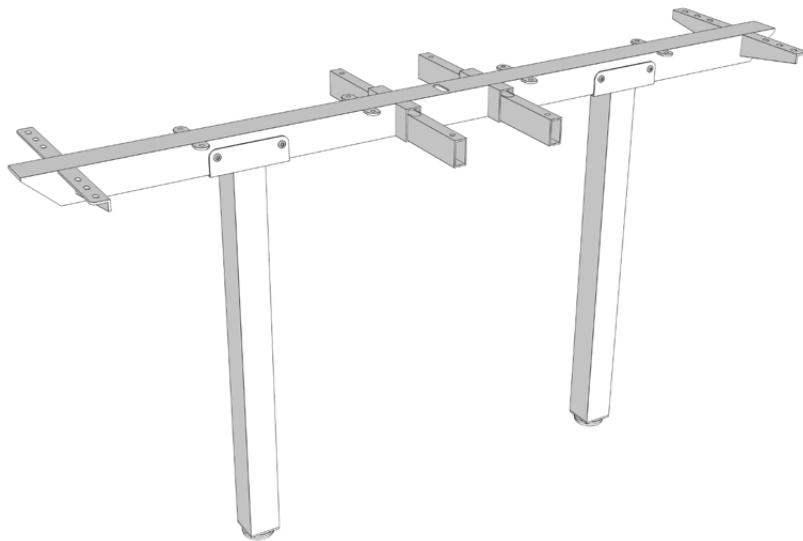
# AXIS CKD LEGS

## Installation Guide

Axis/Anvil System Workstation	3
Axis/Anvil System Straightline	8
Axis/Anvil System 120°	13
Axis/Anvil Single Workstation	17
Axis/Anvil Single Desk	19
Axis/Anvil Hung Screen	21
Axis/Anvil CKD Legs	23



**STEP 1:** Slide legs into ends of rail, and fully tighten all screws.



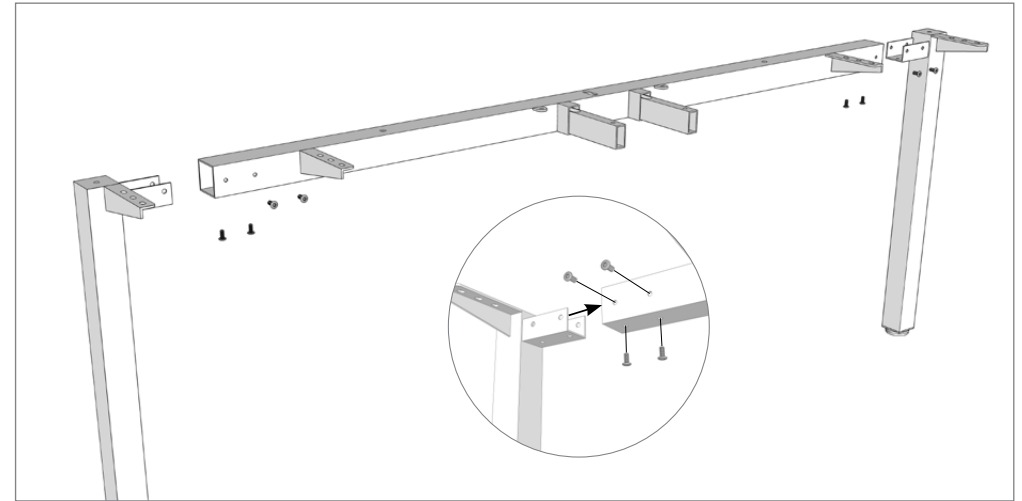
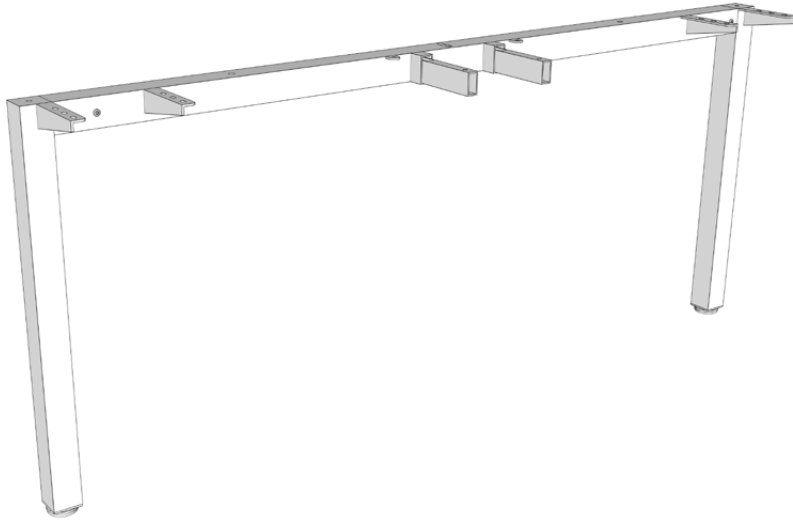
**STEP 1:** Locate legs on underside of rail, and fully tighten all screws.



# AXIS CKD LEGS

## Installation Guide

Axis/Anvil System Workstation	3
Axis/Anvil System Straightline	8
Axis/Anvil System 120°	13
Axis/Anvil Single Workstation	17
Axis/Anvil Single Desk	19
Axis/Anvil Hung Screen	21
Axis/Anvil CKD Legs	23



**STEP 1:** Slide legs into ends of rail, and fully tighten all screws.

# Axis Bar Leaner - Double

## Installation Guide

---

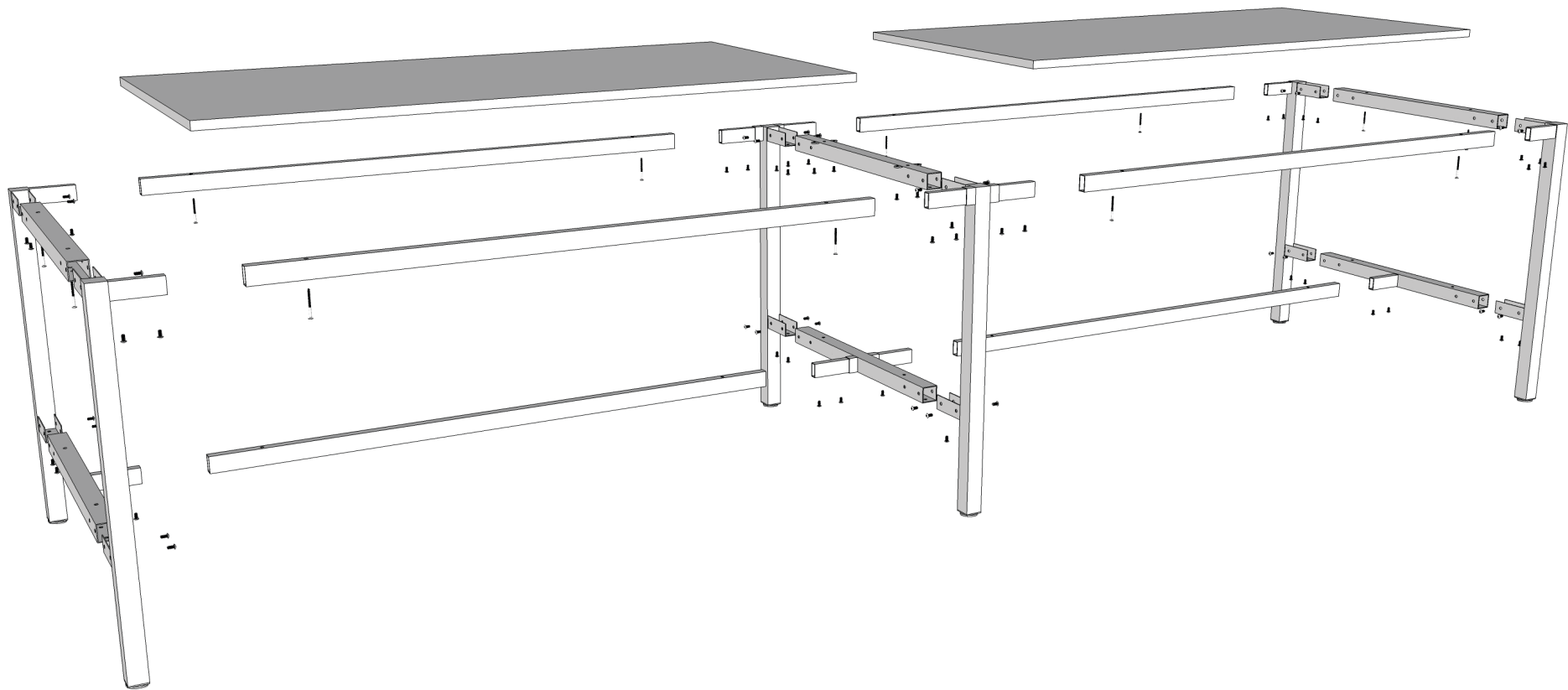
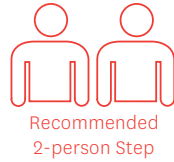
**TOOLS REQUIRED:** Powered screwdriver



# AXIS BAR LEANER - DOUBLE

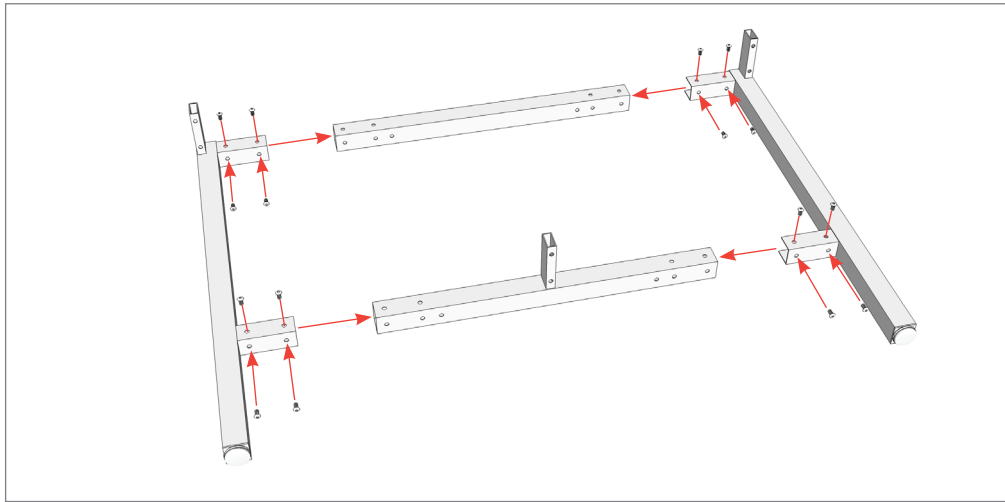
## Installation Guide

\* To prevent possible scratches or damage, assemble the desk/table on a soft surface such as a blanket, carpet or packaging.

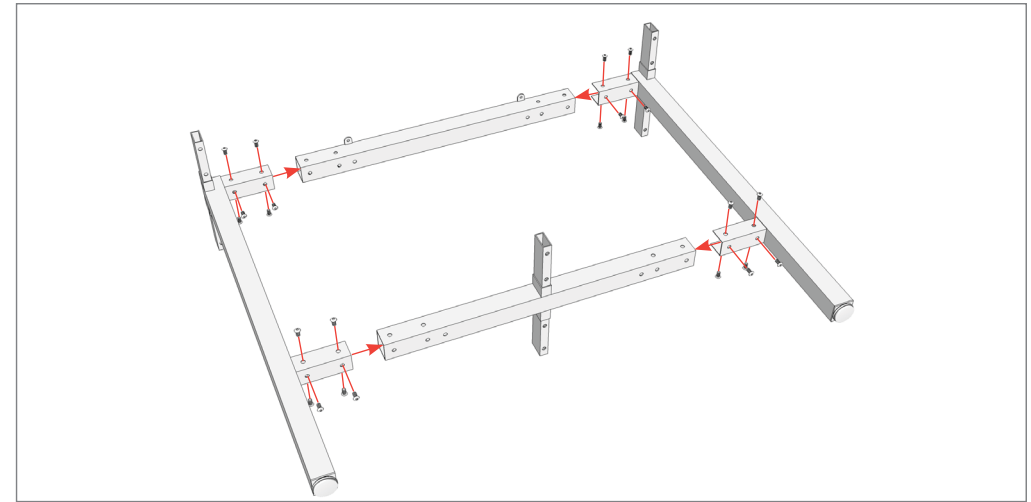


# AXIS BAR LEANER - DOUBLE

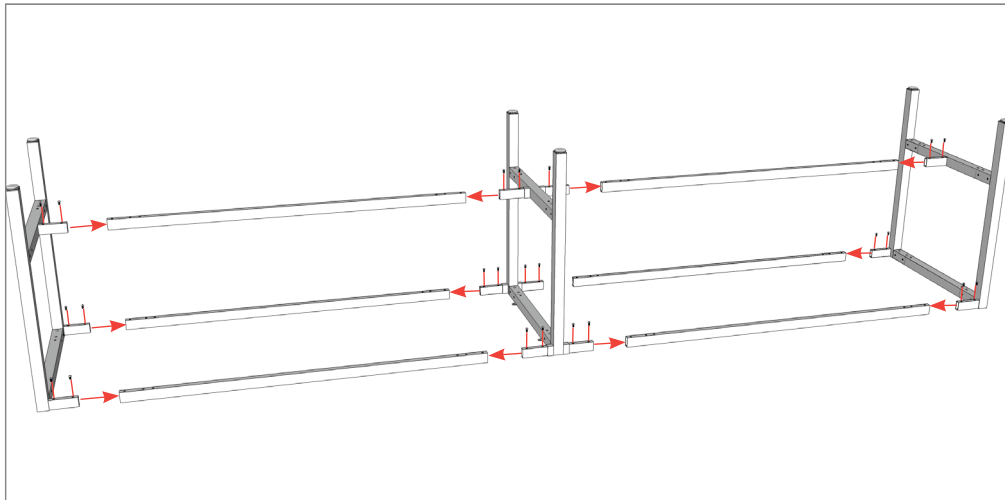
## Installation Guide



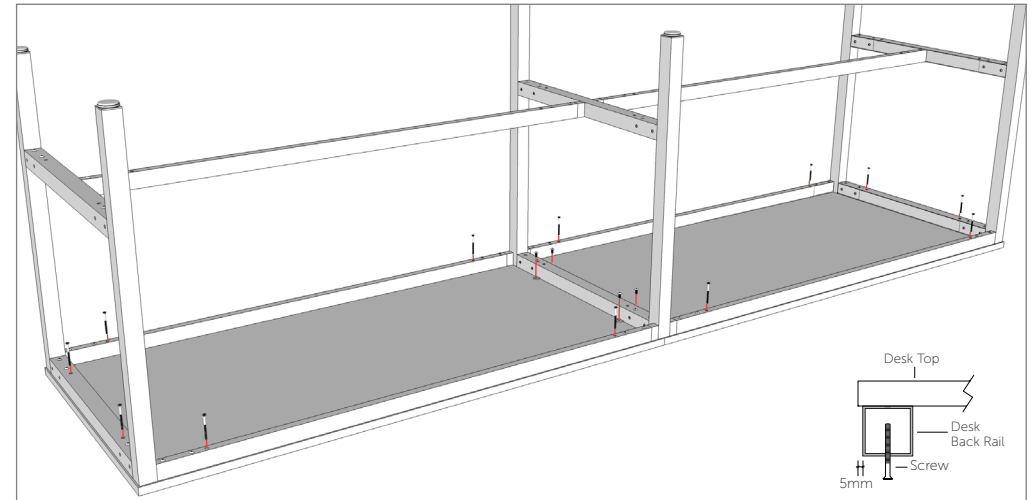
**STEP 1:** Assemble corner legs and short rails together and fully tighten with provided screws.



**STEP 2:** Assemble center legs and short rails together and fully tighten with provided screws.



**STEP 3:** Assembly leg frames and long rails together and fully tighten with provided screws.



**COMPLETE:** Pre-drill holes into the worktop, place worktop on a clean, flat surface and fully tighten the worktop to each rail using the provided screws. Using 2 people rotate table into upright position.

# Axis Bar Leaner

## Installation Guide

---

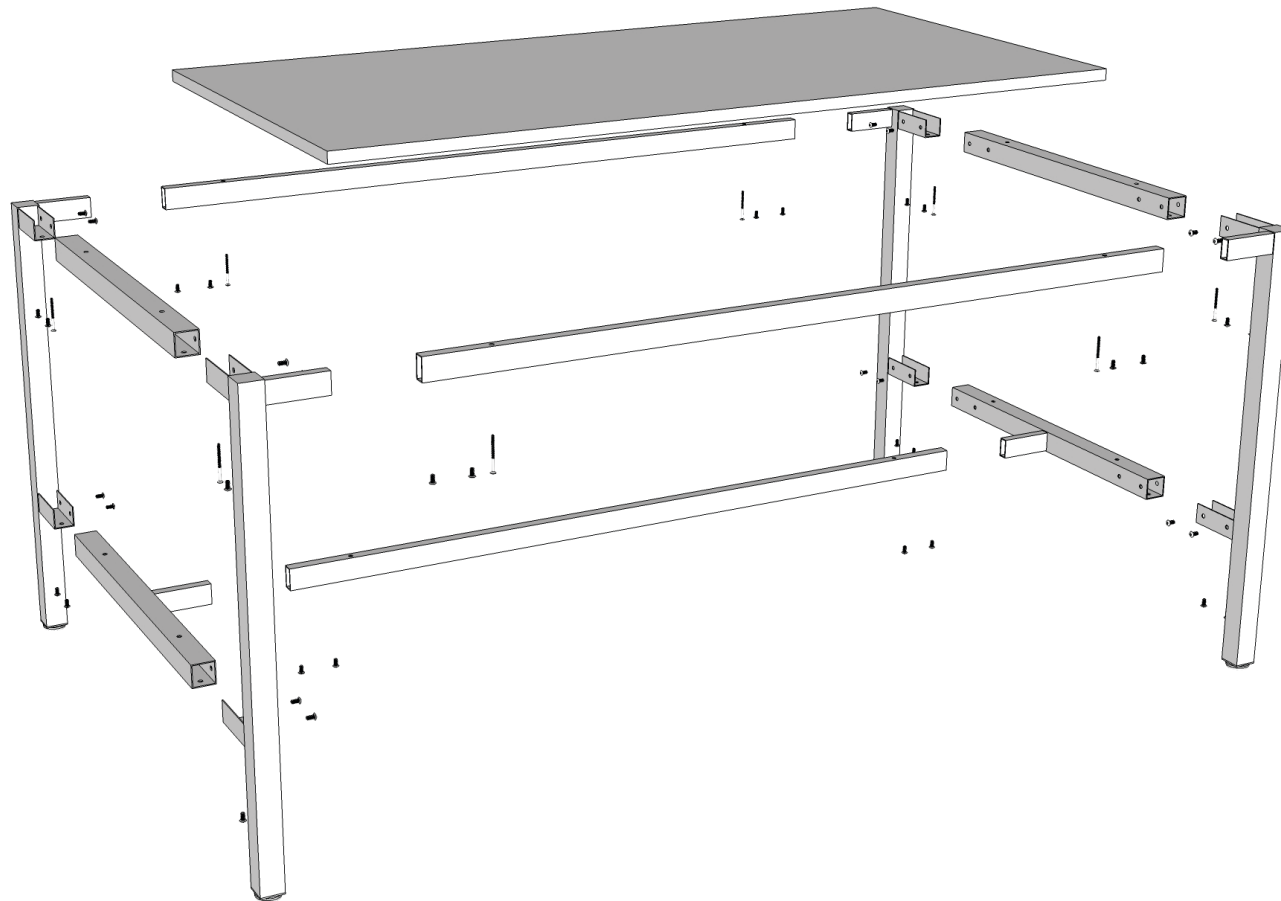
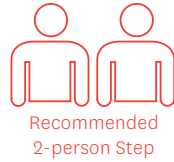
**TOOLS REQUIRED:** Powered screwdriver



# AXIS BAR LEANER

## Installation Guide

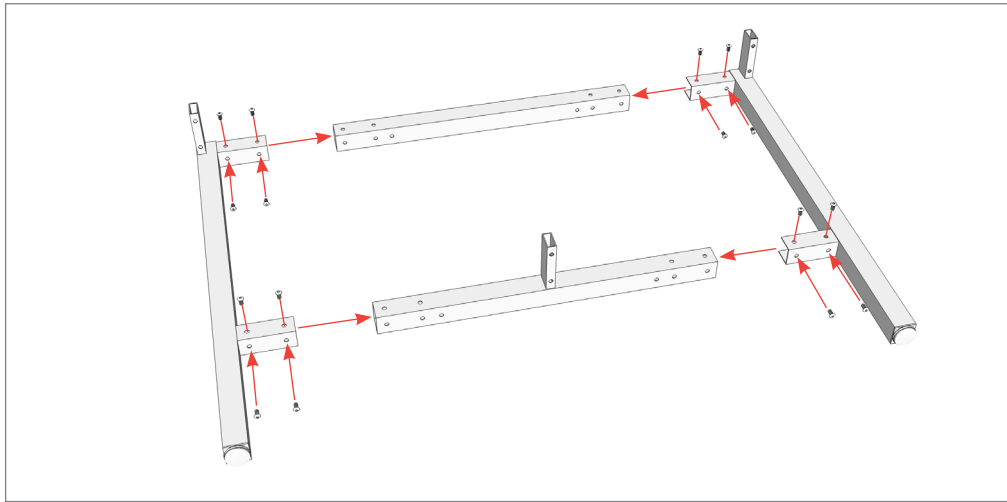
\* To prevent possible scratches or damage, assemble the desk/table on a soft surface such as a blanket, carpet or packaging.



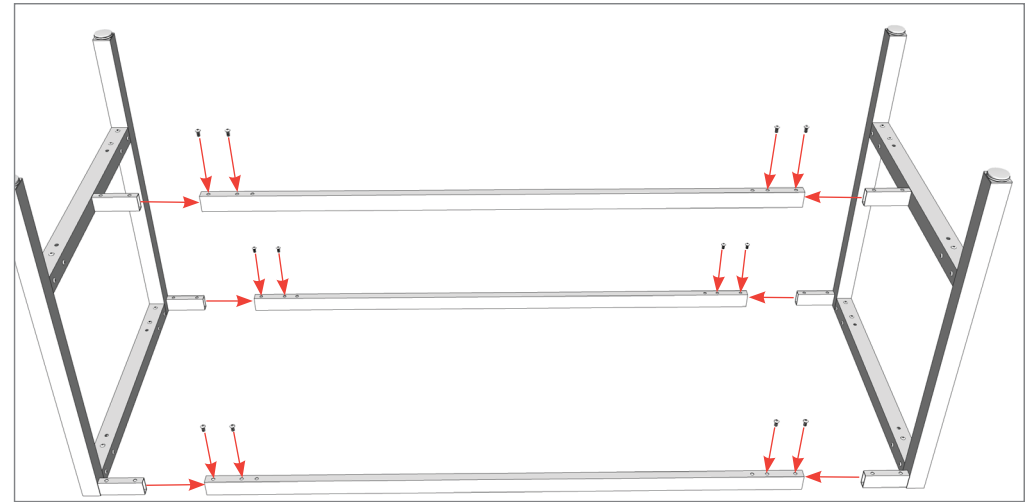


# AXIS BAR LEANER

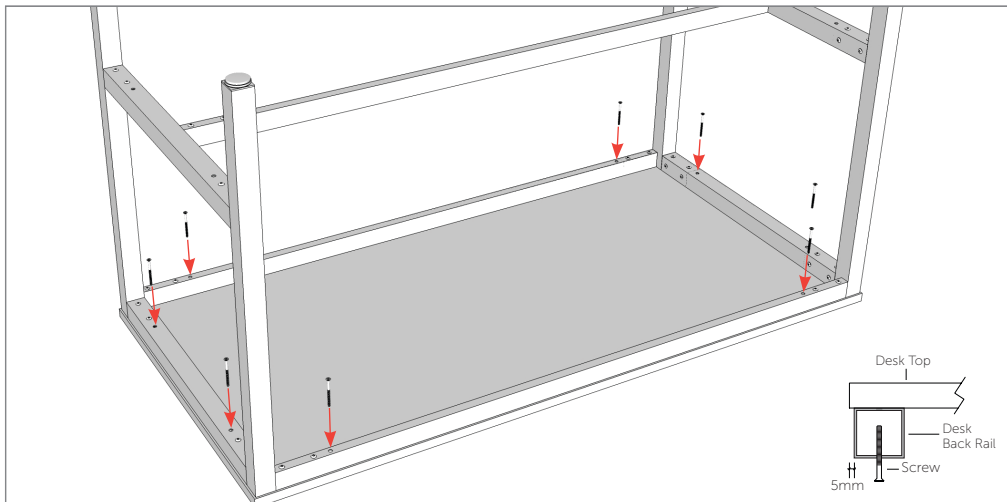
## Installation Guide



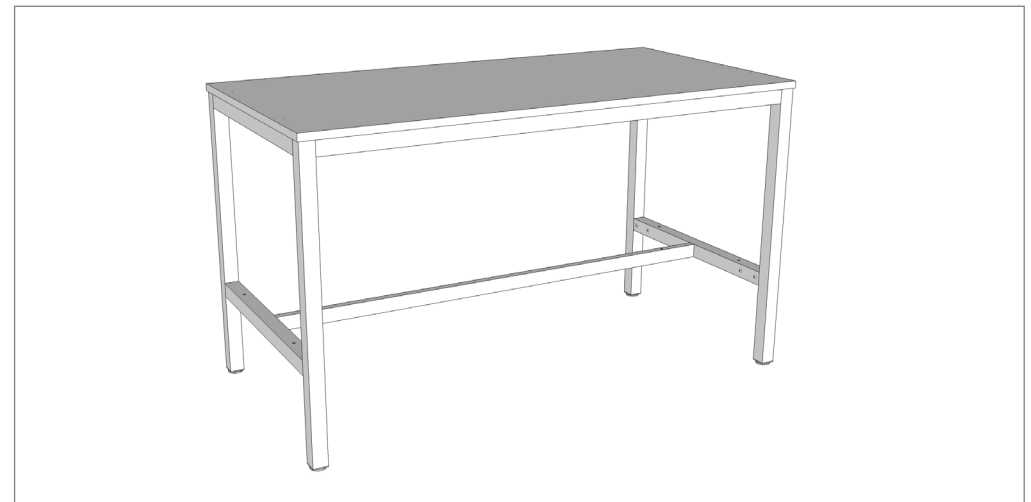
**STEP 1:** Assemble corner legs and short rails together and fully tighten with provided screws.



**STEP 2:** Assembly end leg frames and long rails together and fully tighten with provided screws.



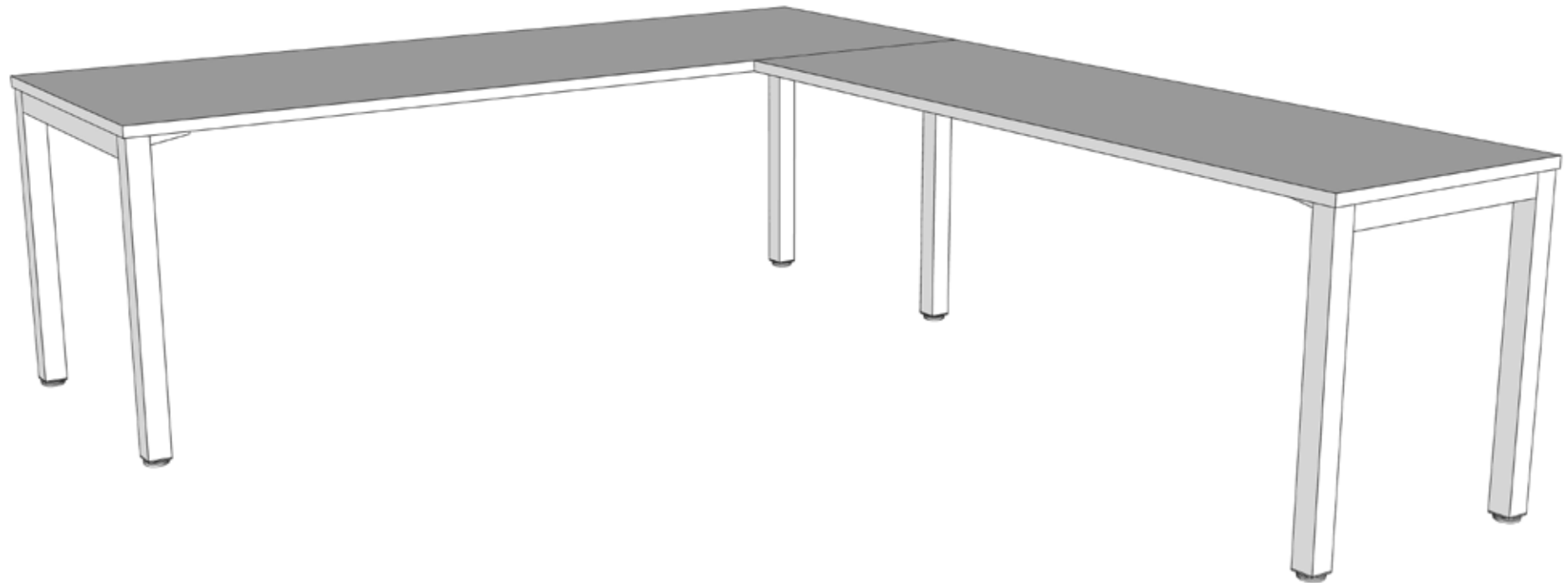
**STEP 3:** Pre-drill holes into the worktop, place worktop on a clean, flat surface and fully tighten the worktop to each rail using the provided screws.



**COMPLETE:** Using 2 people rotate table into upright position.

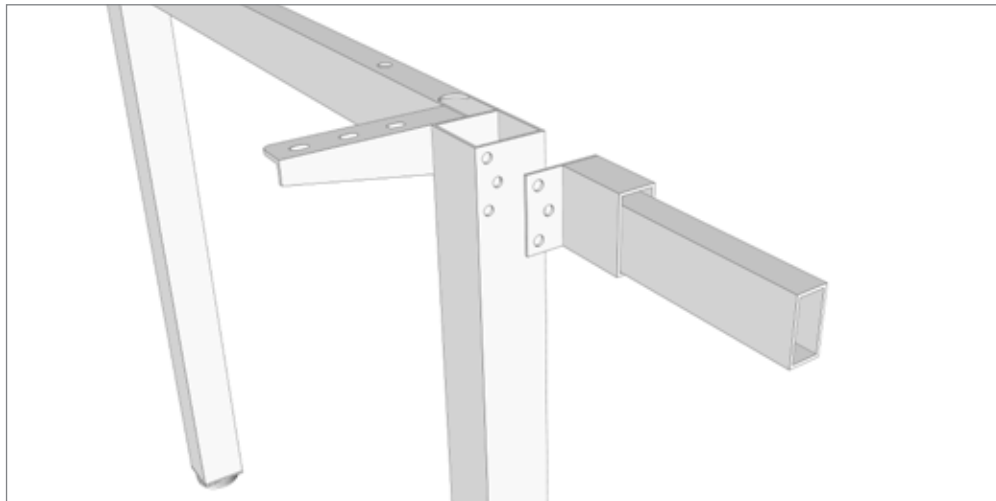
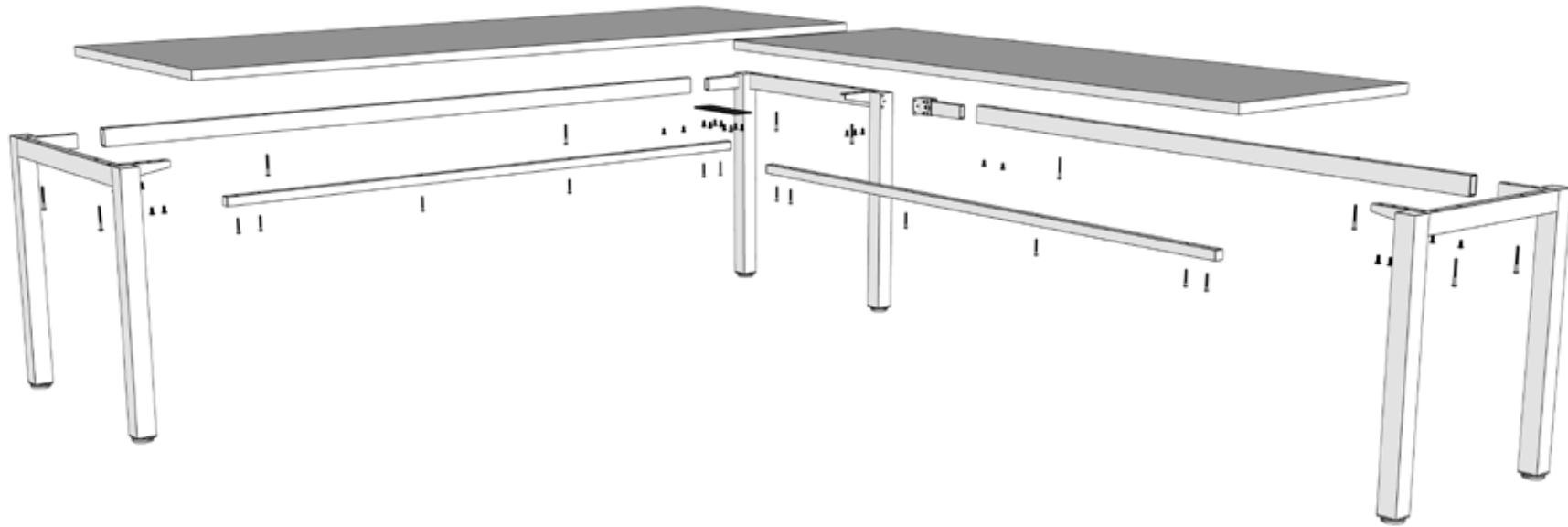
# AXIS DESK AND RETURN

## Installation Guide

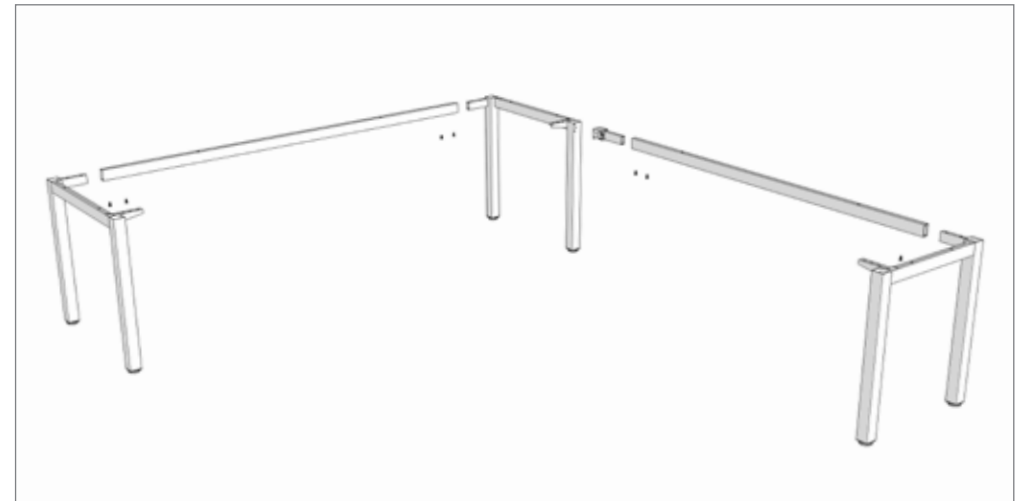


# AXIS DESK AND RETURN

## Installation Guide



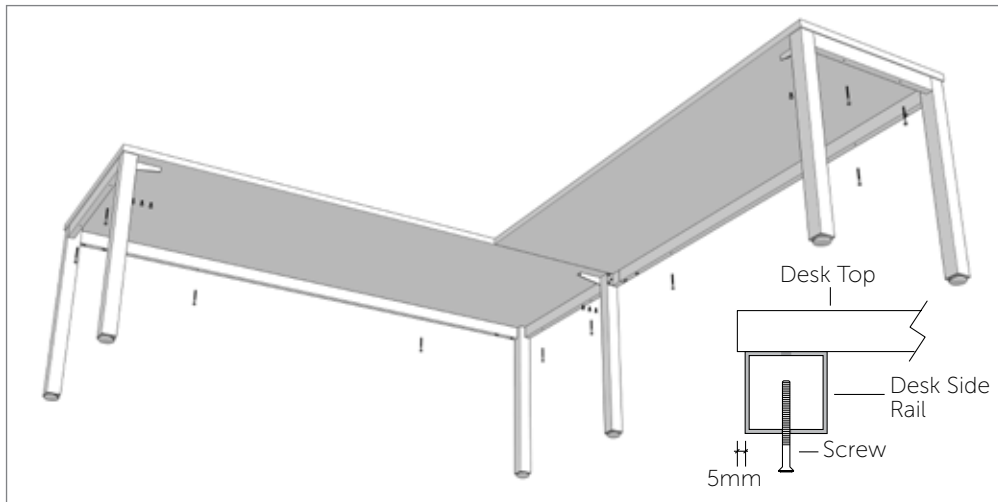
**STEP 1:** Pre-drill 3 holes into the Axis/Anvil leg where the stop/end bracket is located.



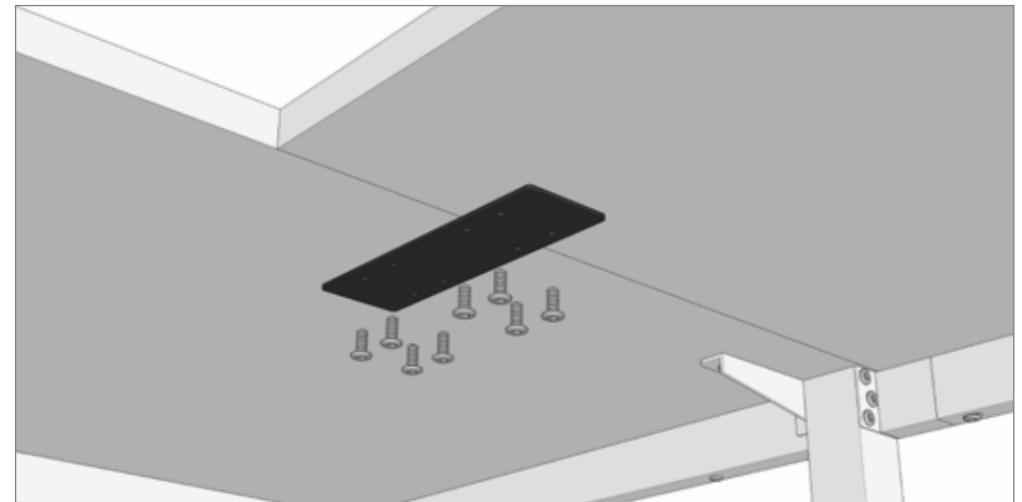
**STEP 2:** Assemble frames & rails together, loosely (1 turn from tight).

# AXIS DESK AND RETURN

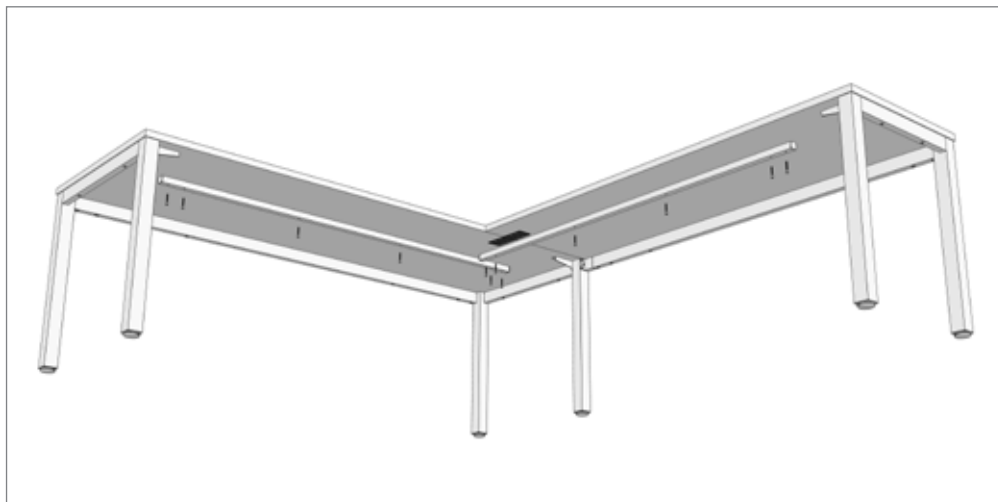
## Installation Guide



**STEP 3:** Fix desk top with 5mm overhang over metal frame. Lastly, fully tighten all rail to frame screws.



**STEP 4:** Attach the provided worksurface joining plate to the underside of the 2 worksurfaces. Fully tighten screws.



**STEP 5:** Lastly fully tighten the 2 optional support rails to the underside of the worksurface, behind the joining plate.

# Axis Desking

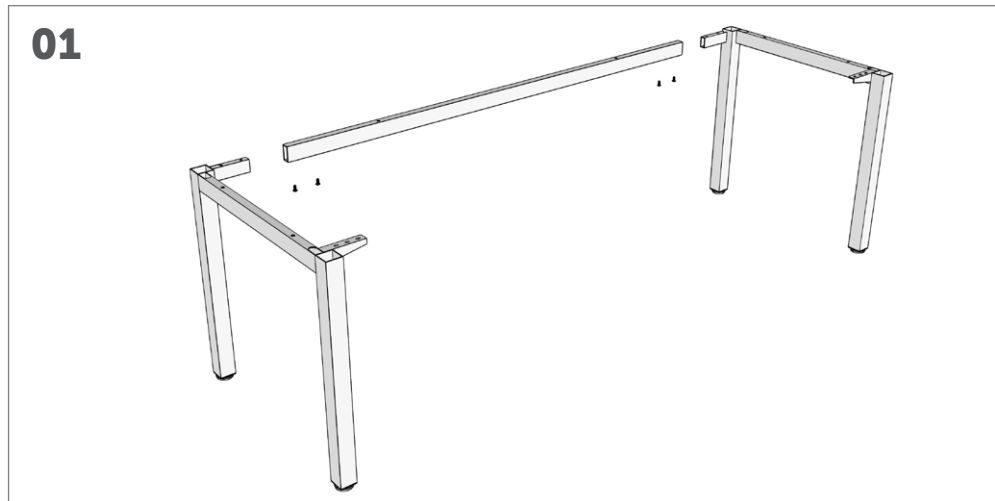
## Installation Guide

---

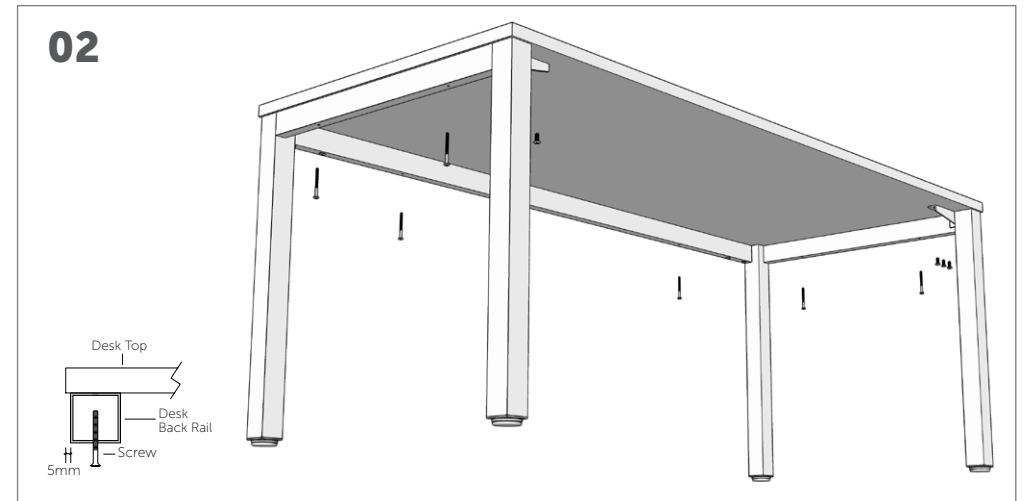
**TOOLS REQUIRED:** Powered screwdriver

# Axis Desking

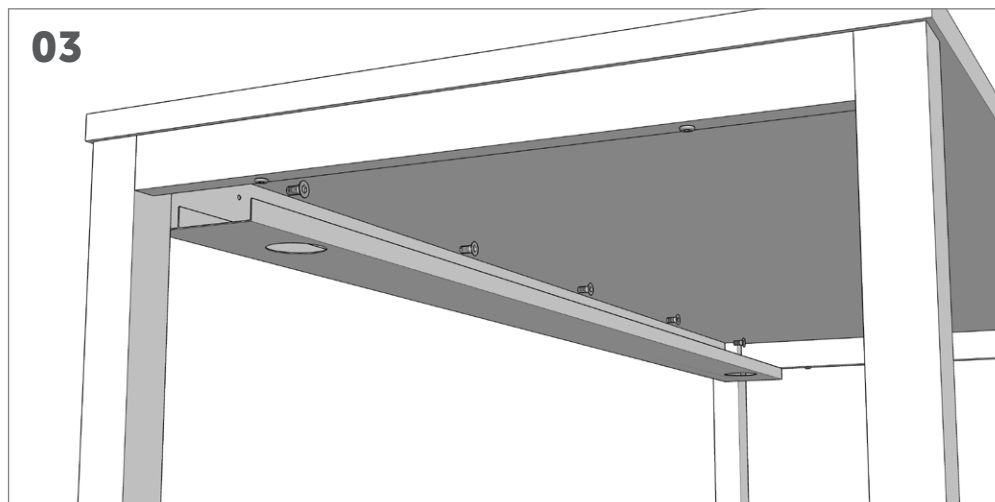
## INSTALLATION GUIDE



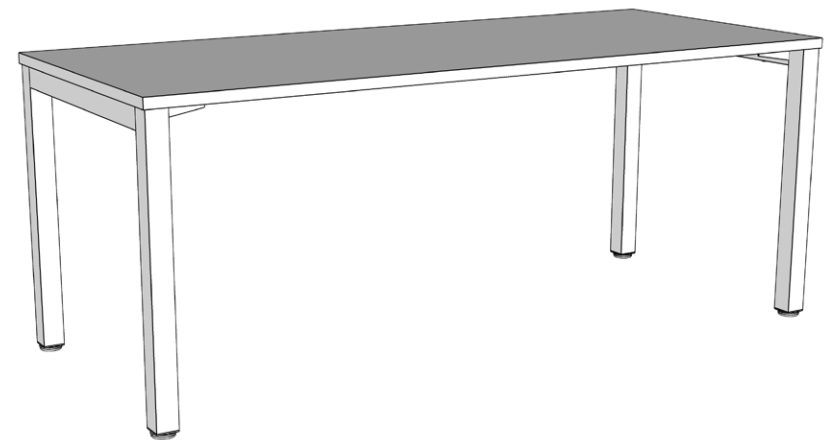
Assemble frames and rails together, loosely (1 turn from tight).



Fix worksurface with 5mm overhang to frame, then fully tighten all rail to frame screws.

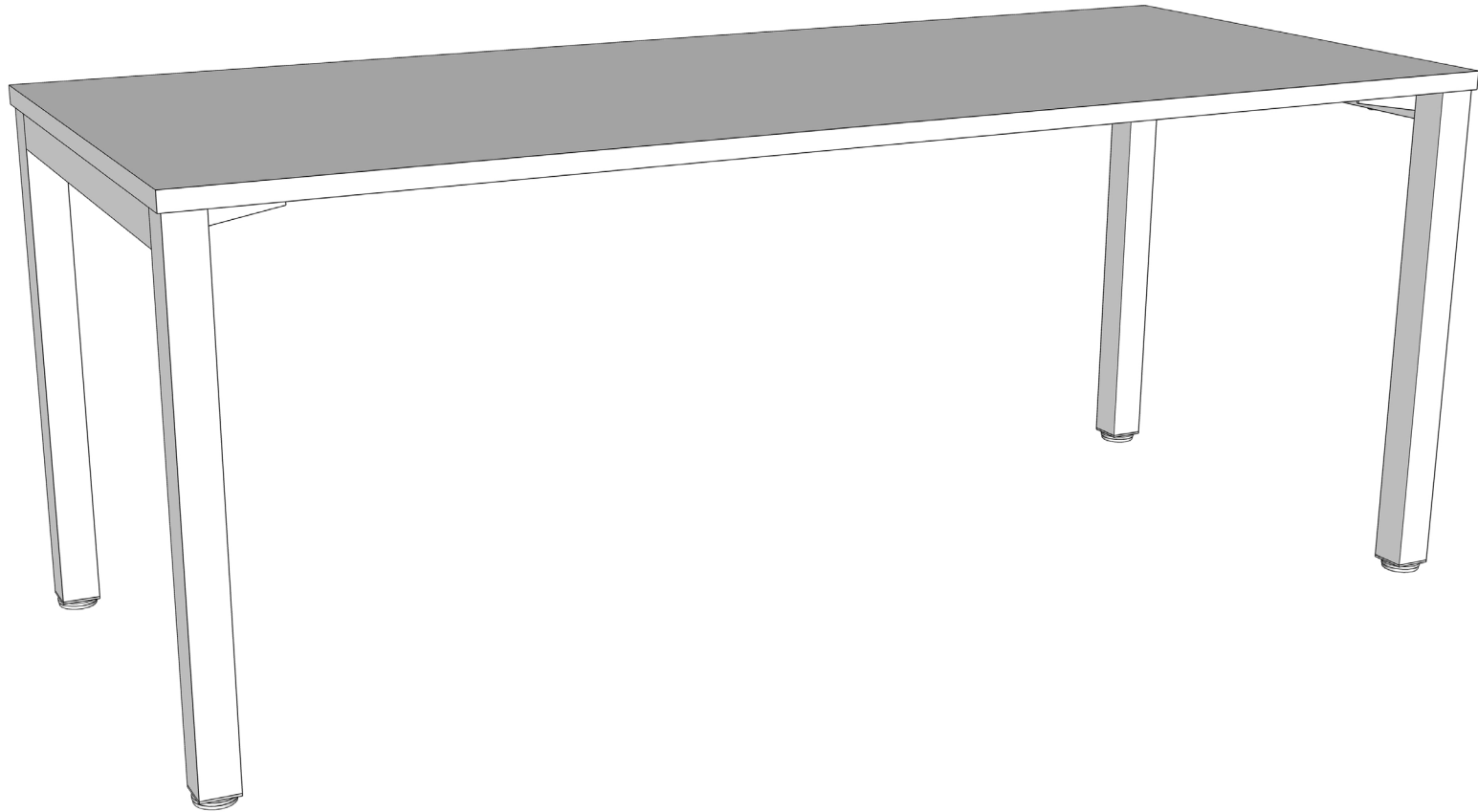


Pre-drill holes into the rail, fully tighten cable tray with provided screws.



# AXIS DESK

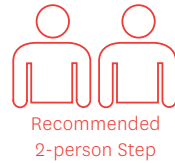
Installation Guide



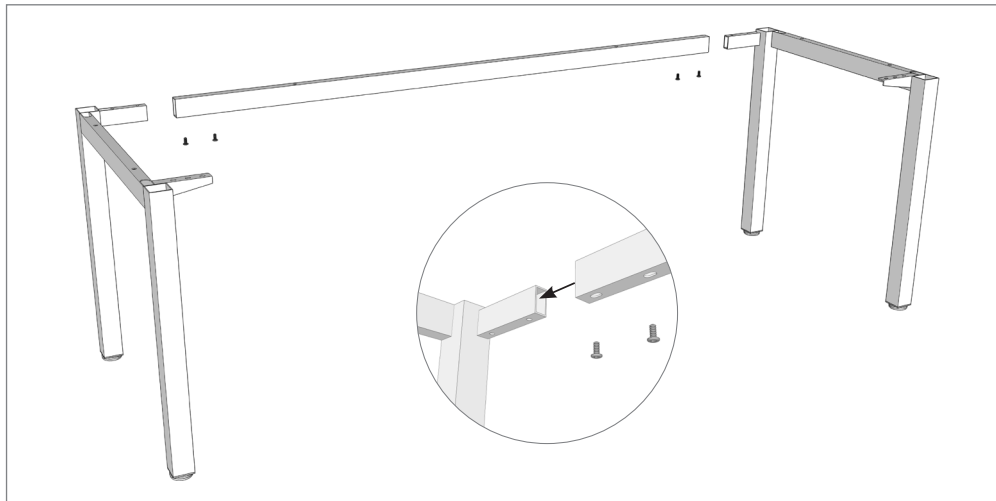
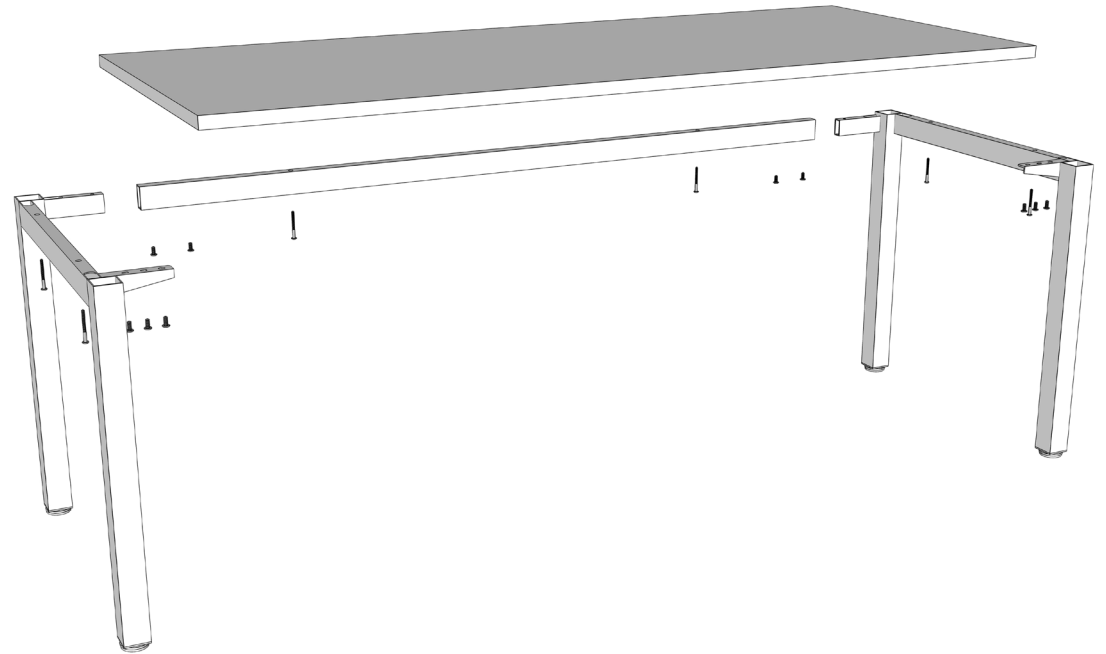
# AXIS DESK

## Installation Guide

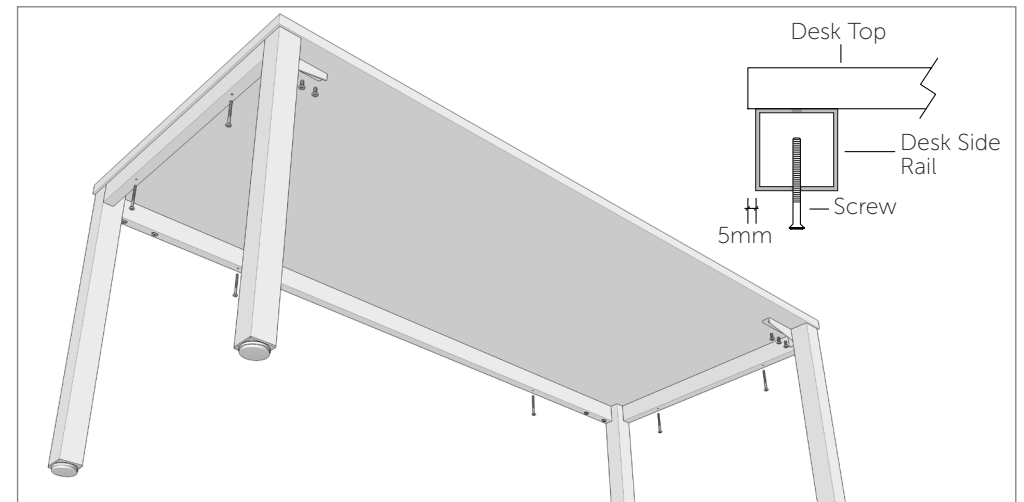
\* To prevent possible scratches or damage, assemble the Desk upside down on a soft surface such as a blanket, carpet or packaging.



\* Attach Leg to the Top assembly by using Bolts, spring washer, flat washer. Tighten using the Allen Wrench provided.



**STEP 1:** Assemble frames & rails together, loosely (1 turn from tight).

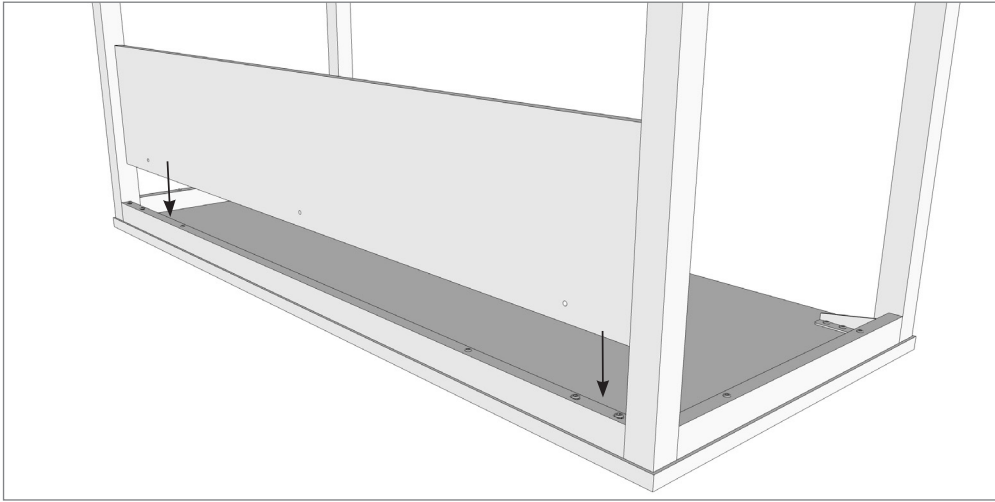


**STEP 2:** Fix desk top with 5mm overhang over metal frame. Lastly, fully tighten all rail to frame screws.

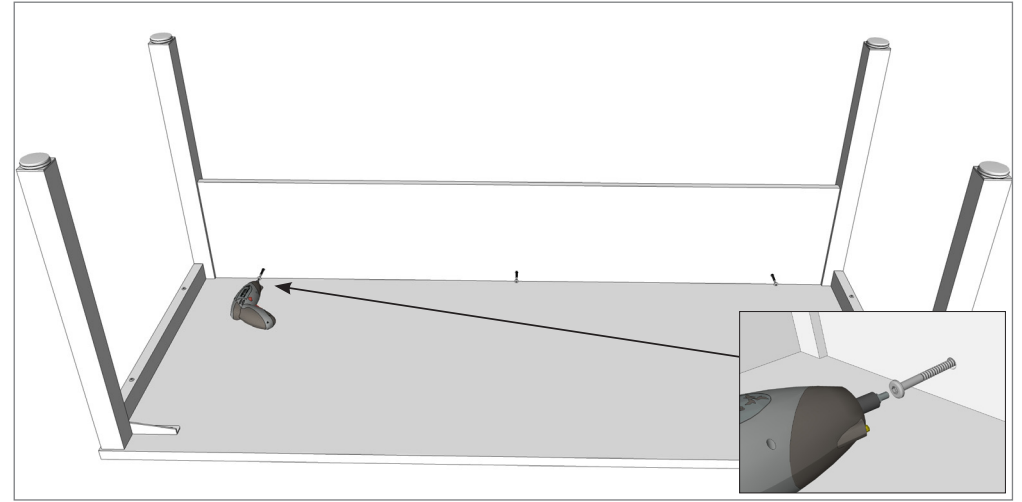


# AXIS DESK (WITH MODESTY)

## Installation Guide



**STEP 3:** Position the modesty behind the rail.



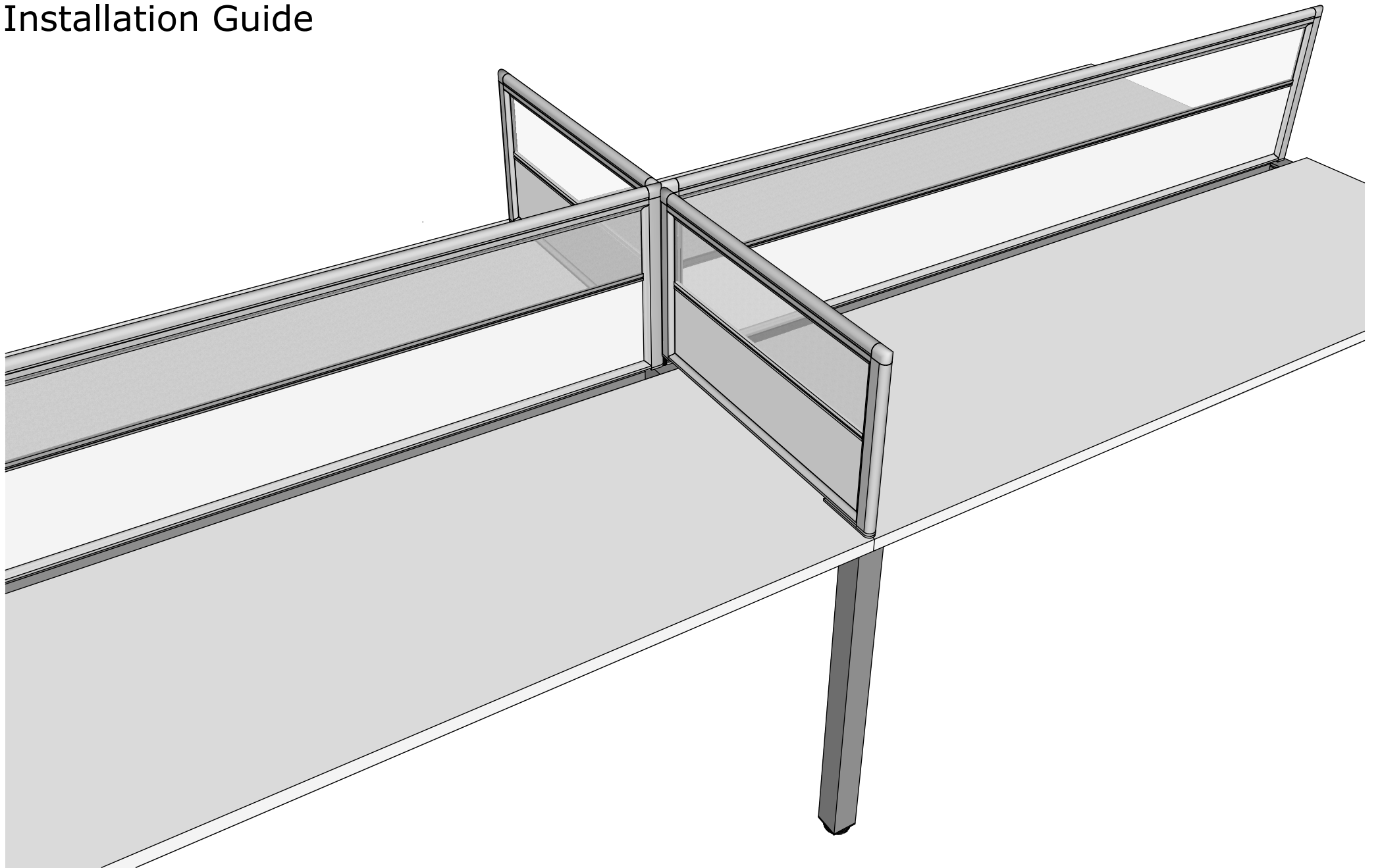
**STEP 4:** Fully tighten the modesty to the rail with provided screws.



**FINISHED**

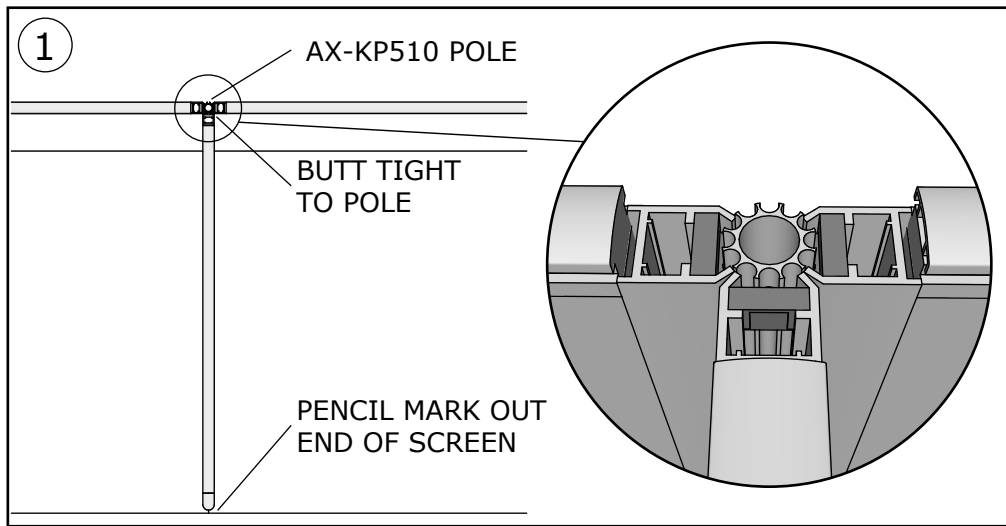
# AXIS SYSTEM RETURN SCREEN OPTION

## Installation Guide

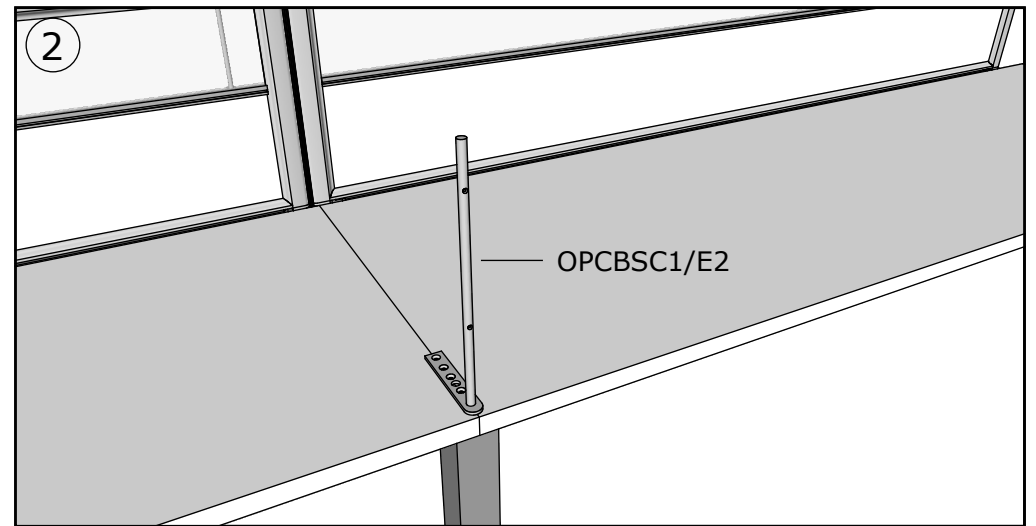


# AXIS SYSTEM RETURN SCREEN OPTION

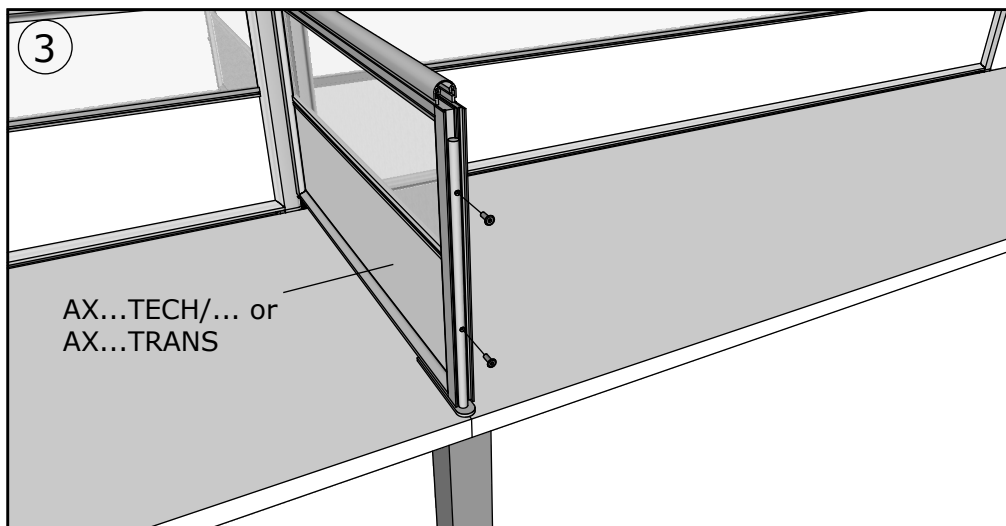
## Installation Guide



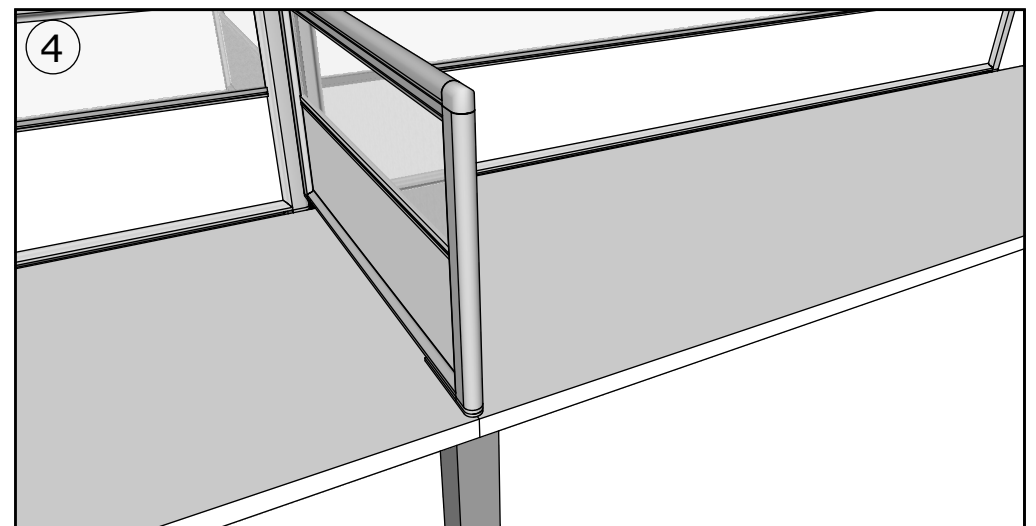
Carefully remove 1 end cap & seal & butt tight against pole. Mark out end of screen on desk.



Remove screen & fix bracket in place.



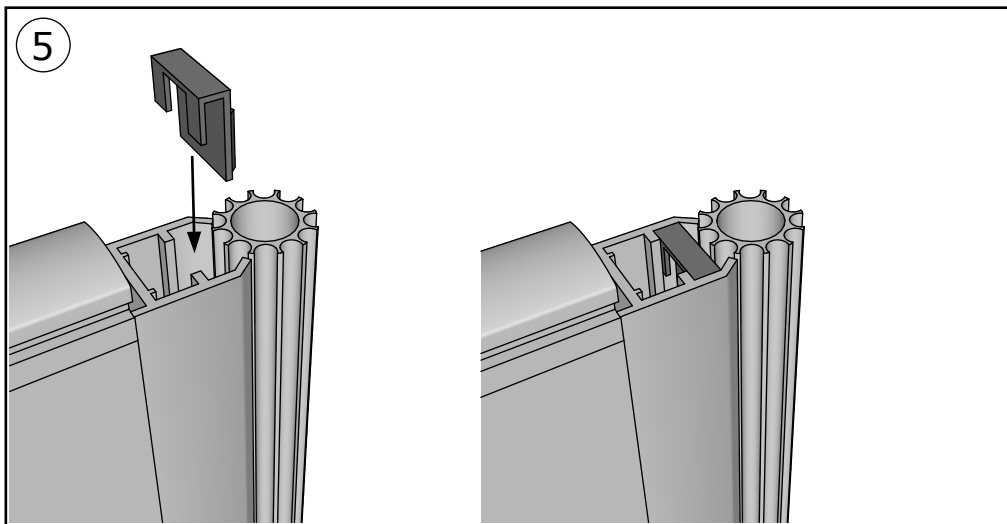
Remove other end seal & attach screen to bracket with self taper screws.



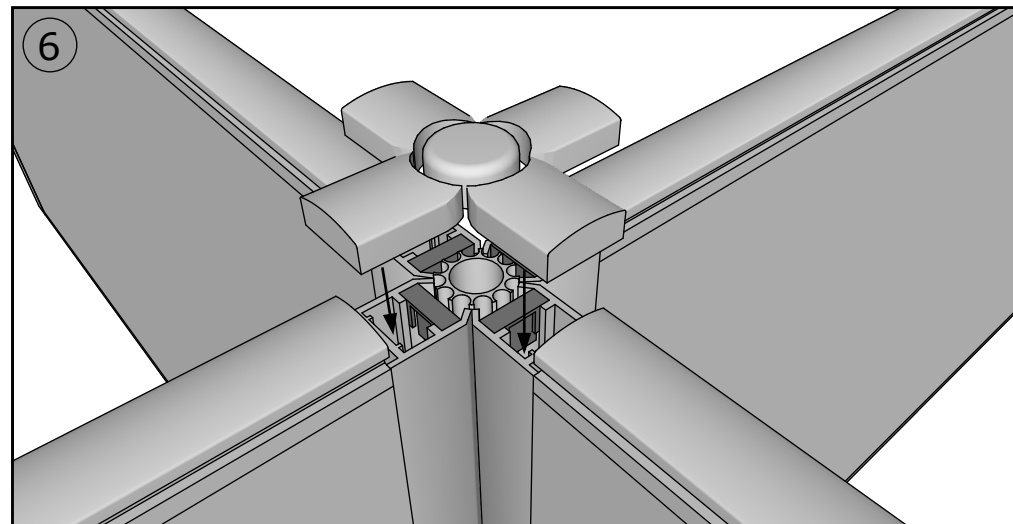
Attach screen end seal with soft non-marking mallet.

# AXIS SYSTEM RETURN SCREEN OPTION

## Installation Guide



Attach top slug connector to screen/pole join.



Install all top caps simultaneously down all together gently tapping with a soft non-marking mallet.

# Axis Single-sided System

## Installation Guide

---

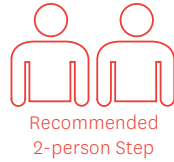
**TOOLS REQUIRED:** Powered screwdriver



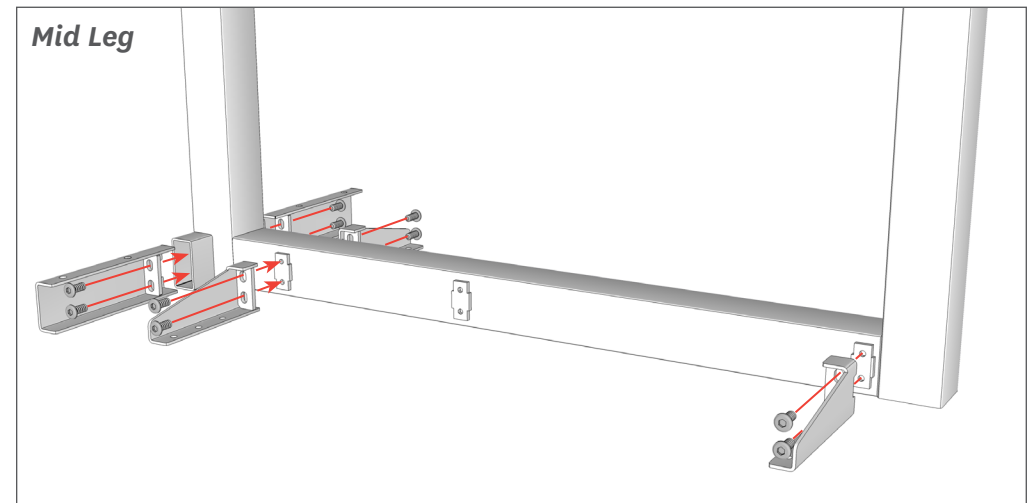
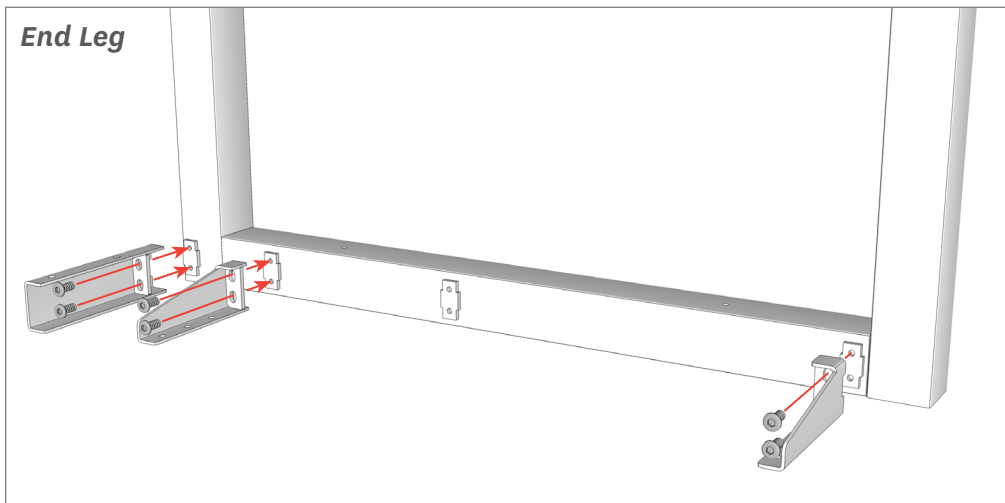
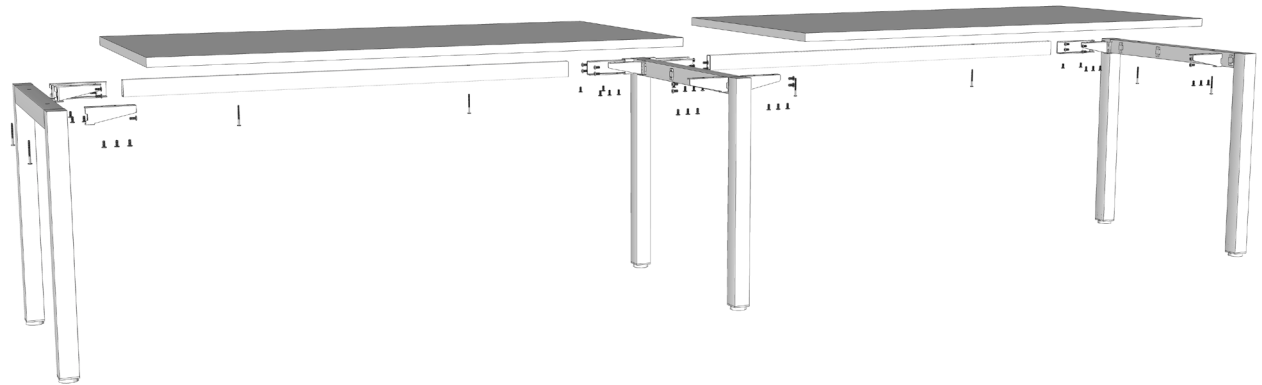
# AXIS SINGLE-SIDED SYSTEM

## Installation Guide

\* To prevent possible scratches or damage, assemble the Desk upside down on a soft surface such as a blanket, carpet or packaging.



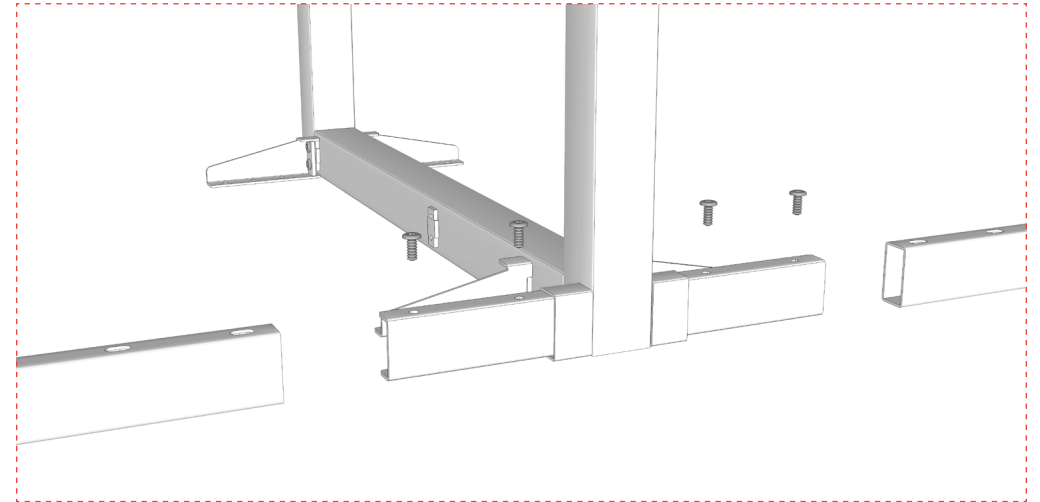
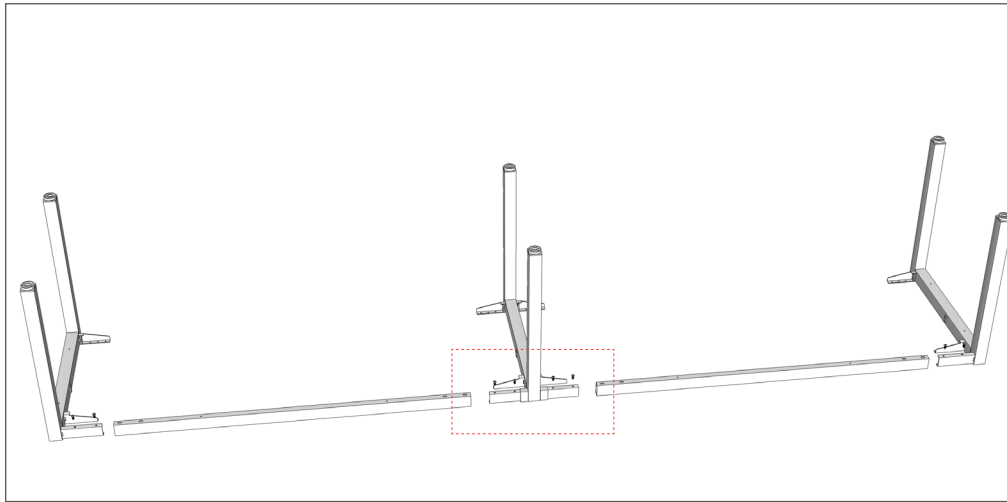
\* Attach Leg to the Top assembly by using Bolts, spring washer, flat washer. Tighten using the Allen Wrench provided.



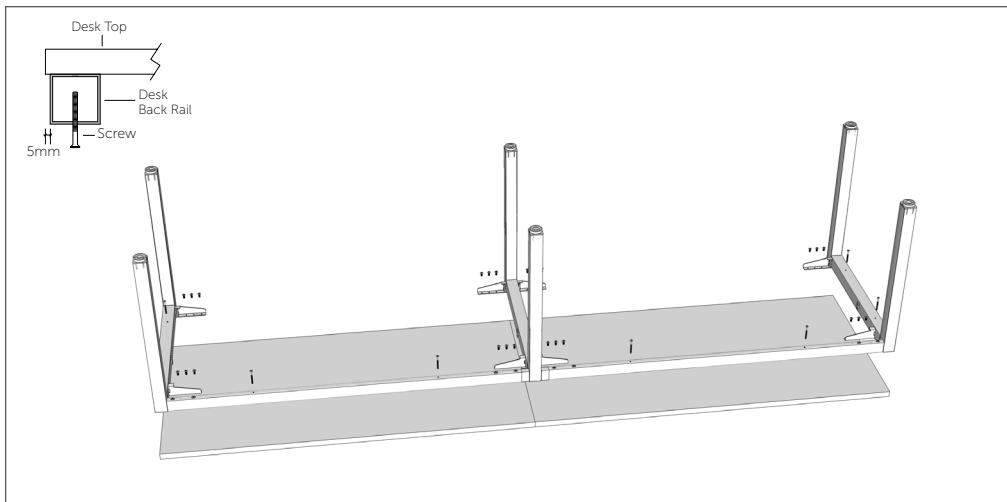
**STEP 1:** Attach spigots to the frame, fully tighten with provided screws.

# AXIS SINGLE-SIDED SYSTEM

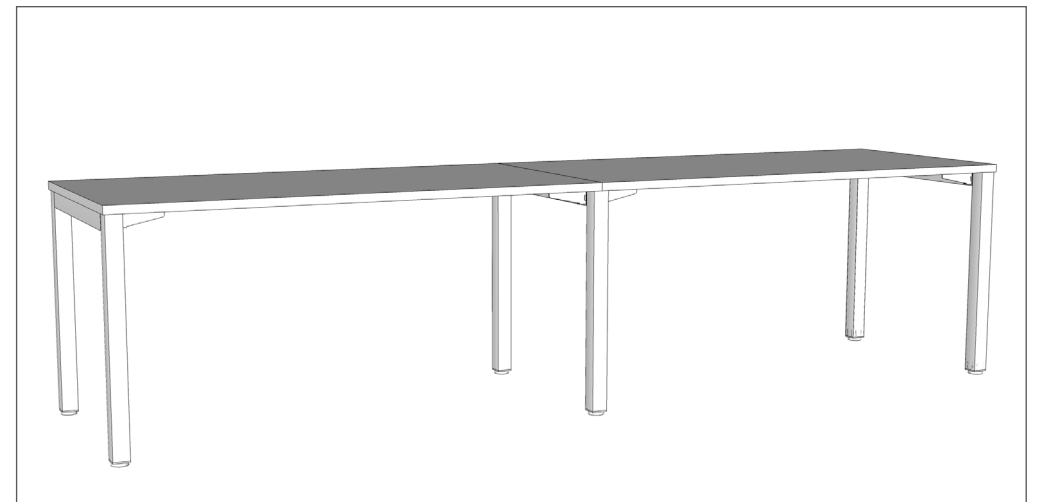
## Installation Guide



**STEP 2:** Assemble frames & rails together, loosely (1 turn from tight).



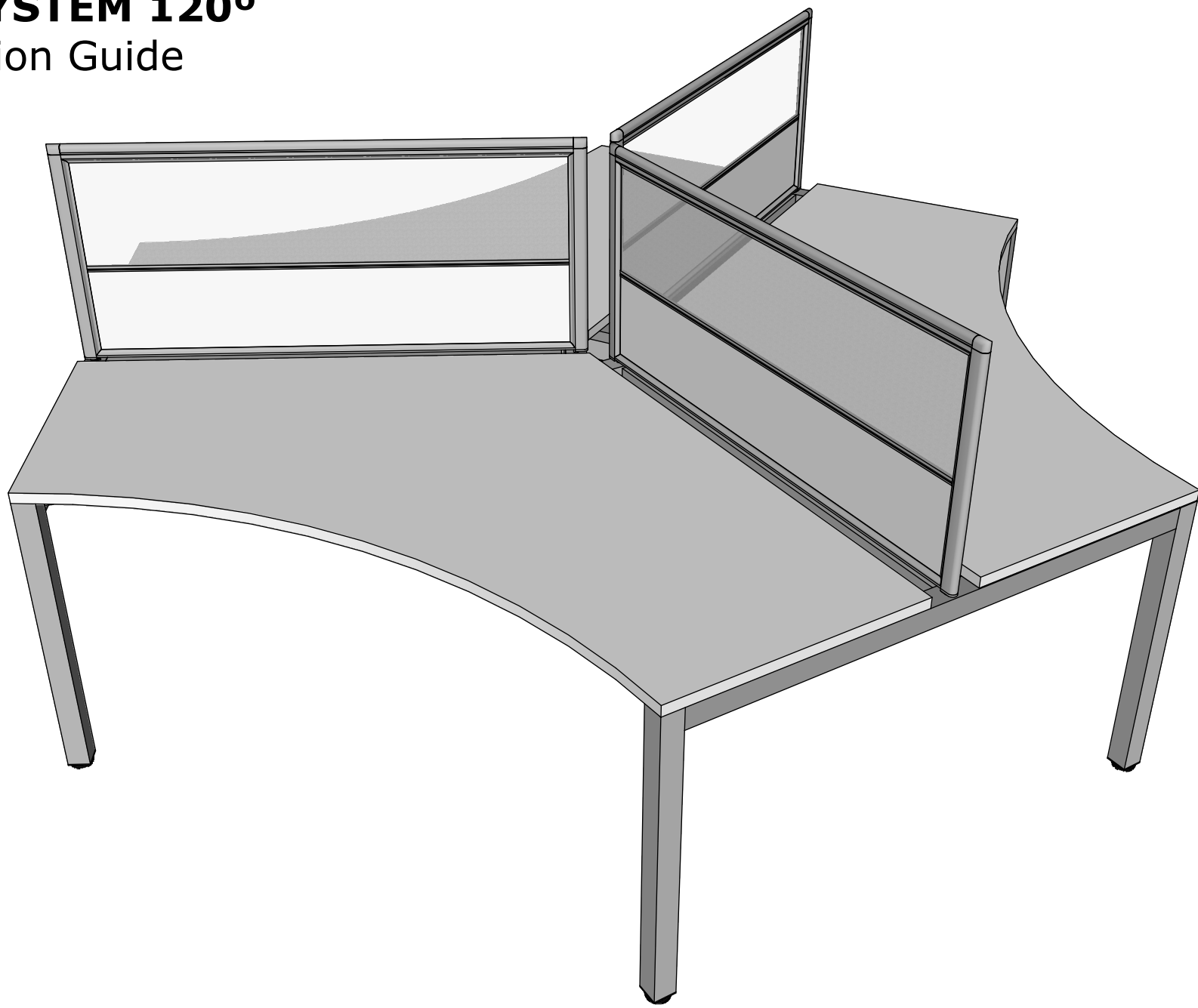
**Step 3:** Fix desk top with 5mm overhang over metal frame. Lastly, fully tighten all rail to frame screws.



**Completed**

# AXIS SYSTEM 120°

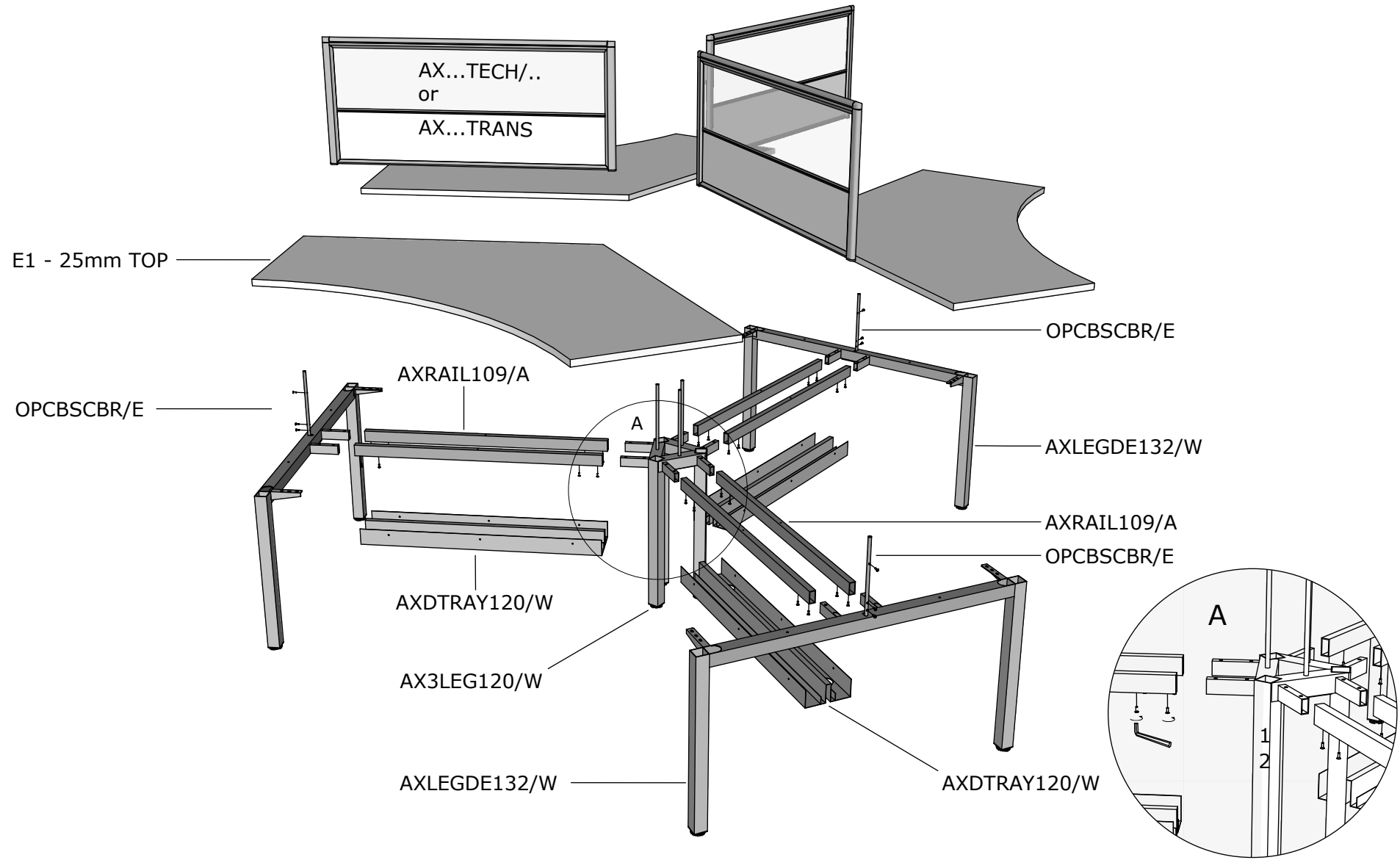
## Installation Guide





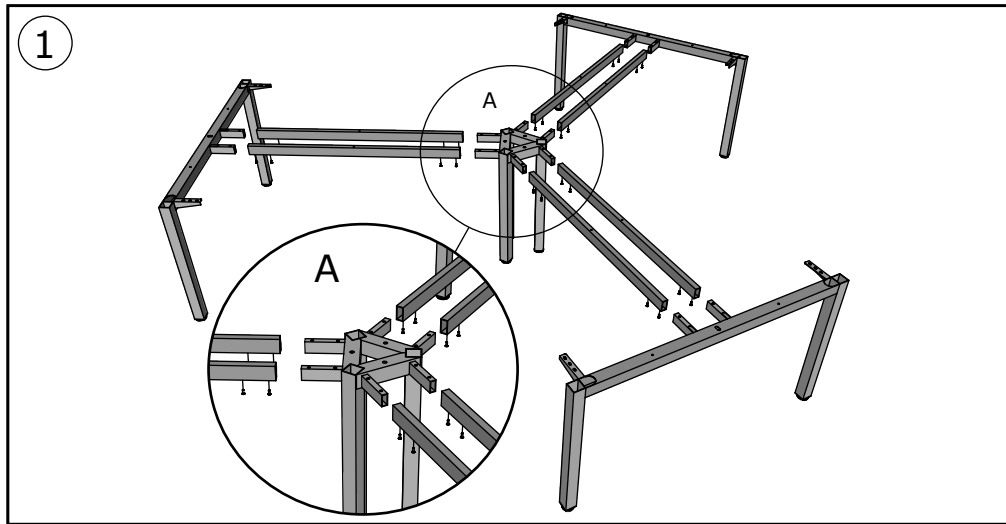
# AXIS SYSTEM 120°

## Installation Guide

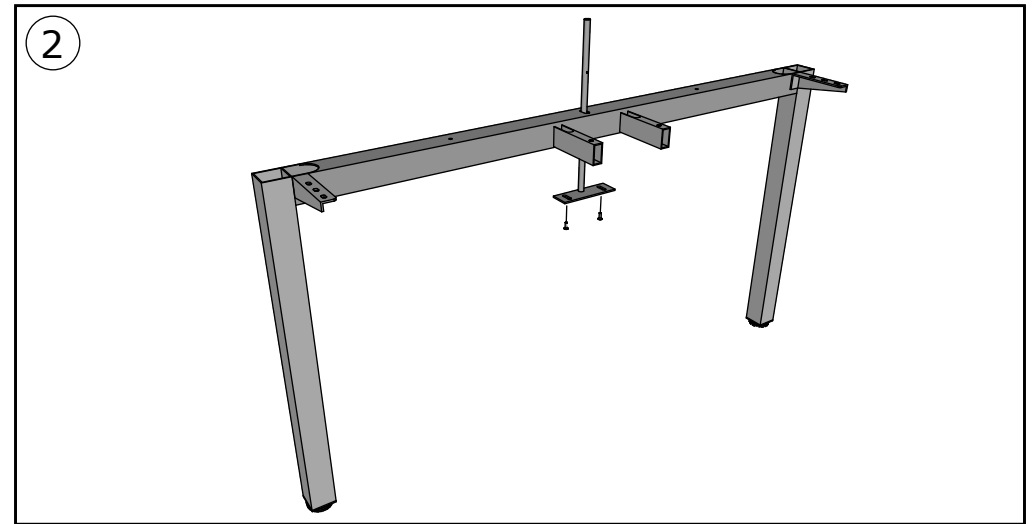


# AXIS SYSTEM 120°

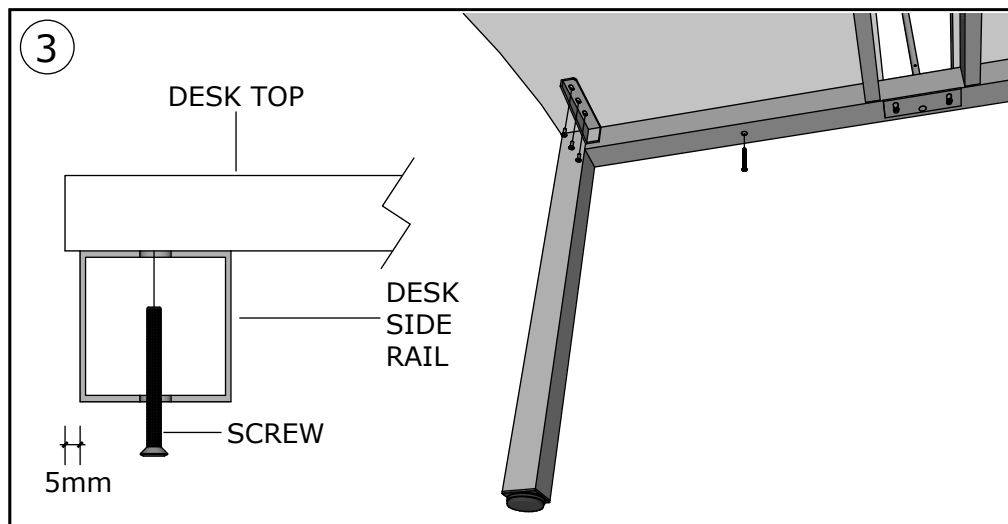
## Installation Guide



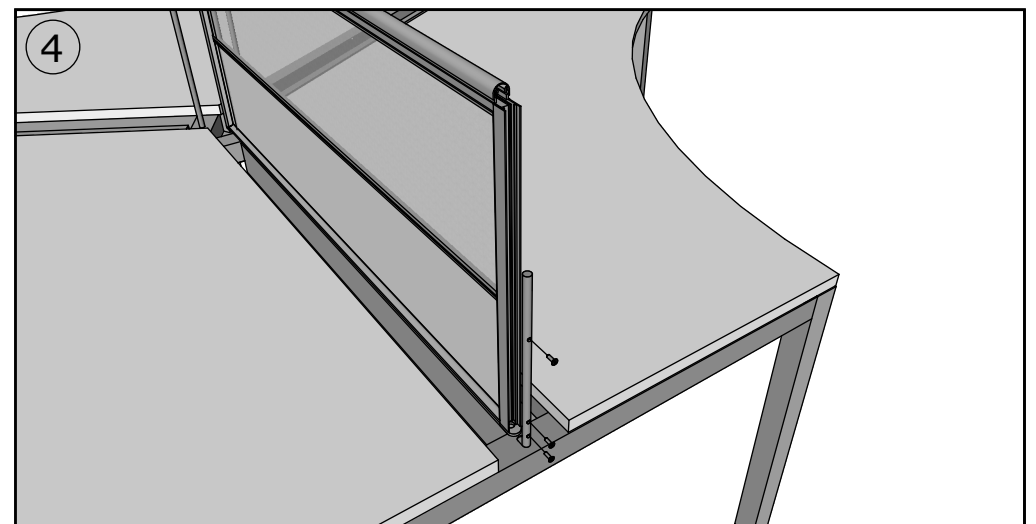
Assemble frames & rails together, loosely (1 turn from tight).



Assemble screen brackets to frame, loosely (1 turn from tight).



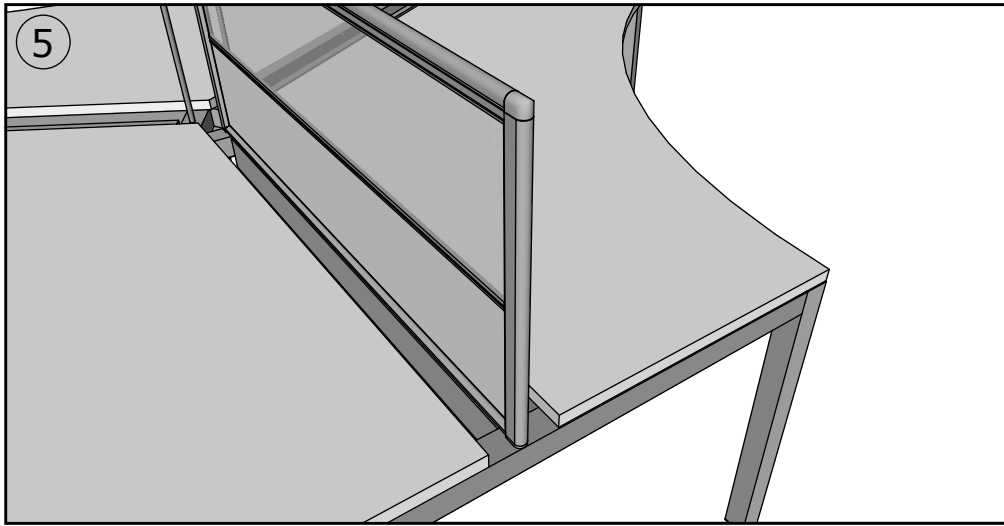
Fix desk top with 5mm overhang over metal frame. Where desktops butt together, make sure these are fitted tight together.



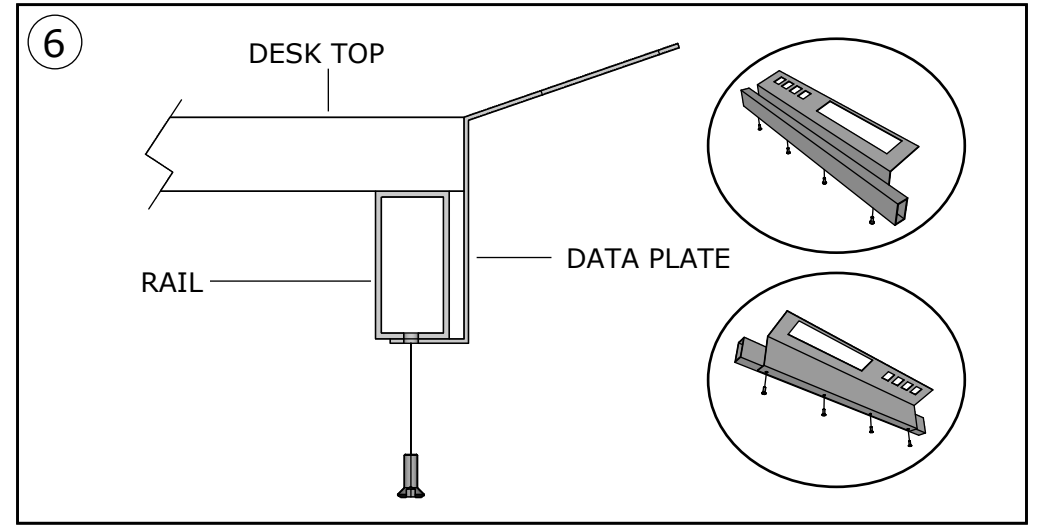
Carefully remove end seal on screen & fit screen between end brackets & screw self tappers to fix screen tightly.

# AXIS SYSTEM 120°

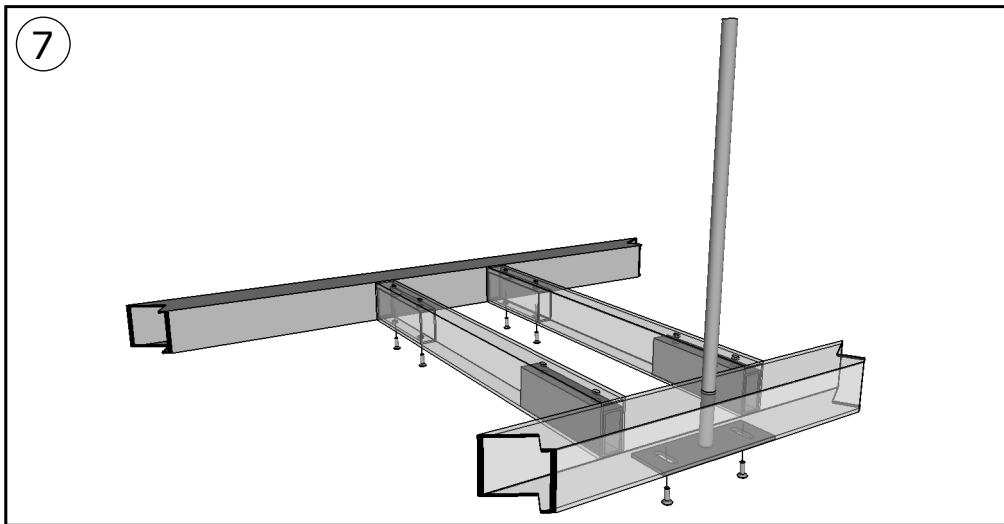
## Installation Guide



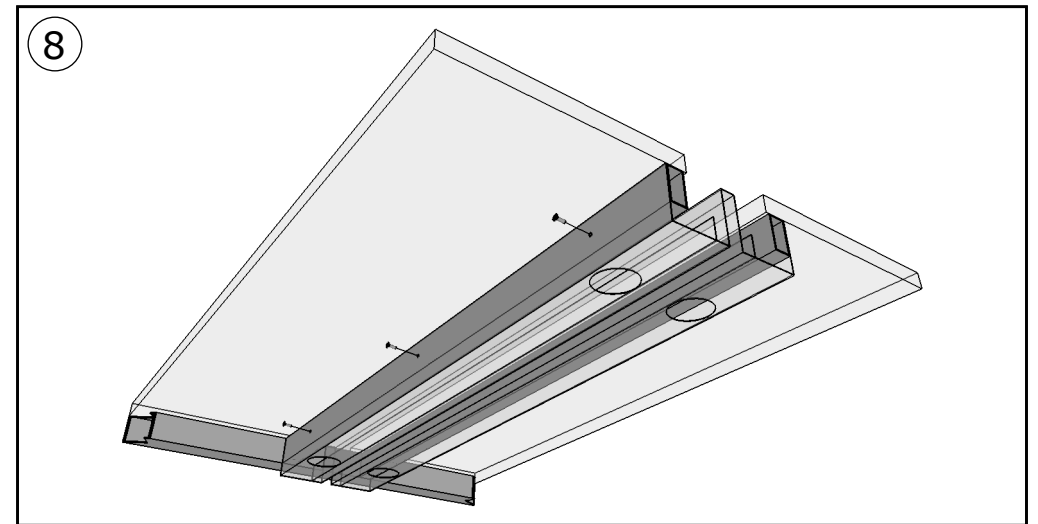
Attach screen end seals with soft non-marking mallet.



Fit data rails with screws into rails.



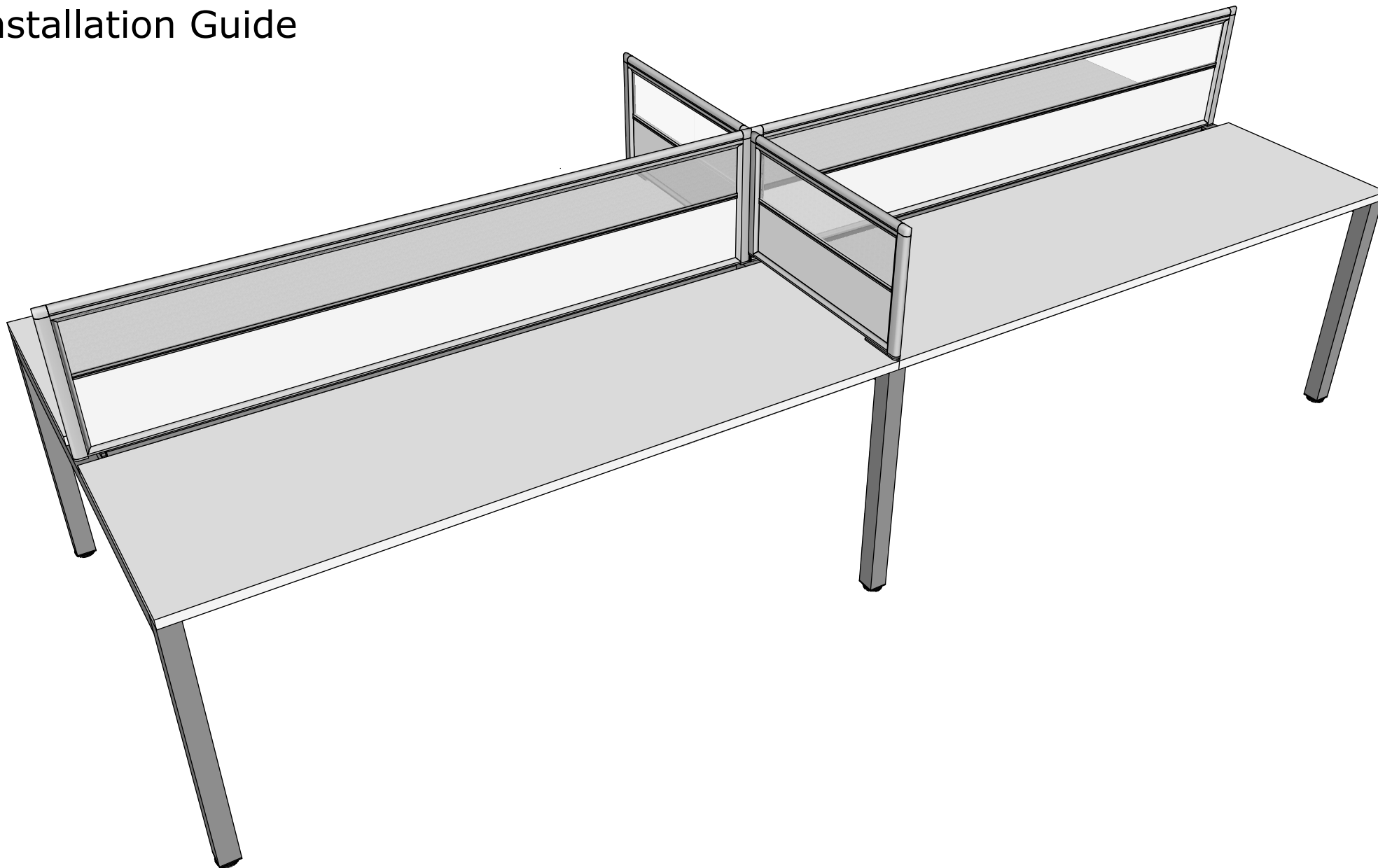
Fully tighten all rails to frame screws, & then screen bracket screws.



Attach cable trays with screws provided.

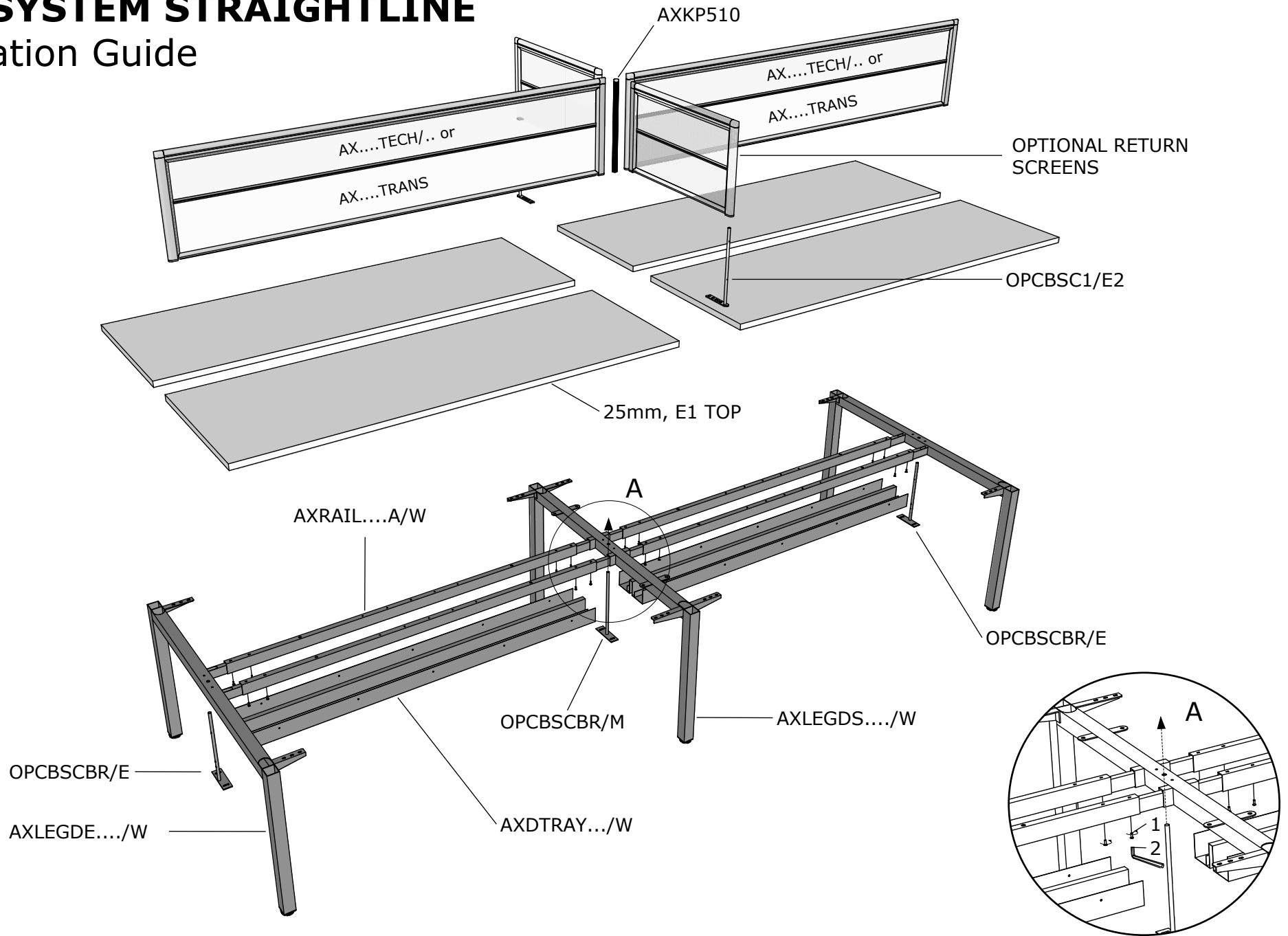
# AXIS SYSTEM STRAIGHTLINE

## Installation Guide



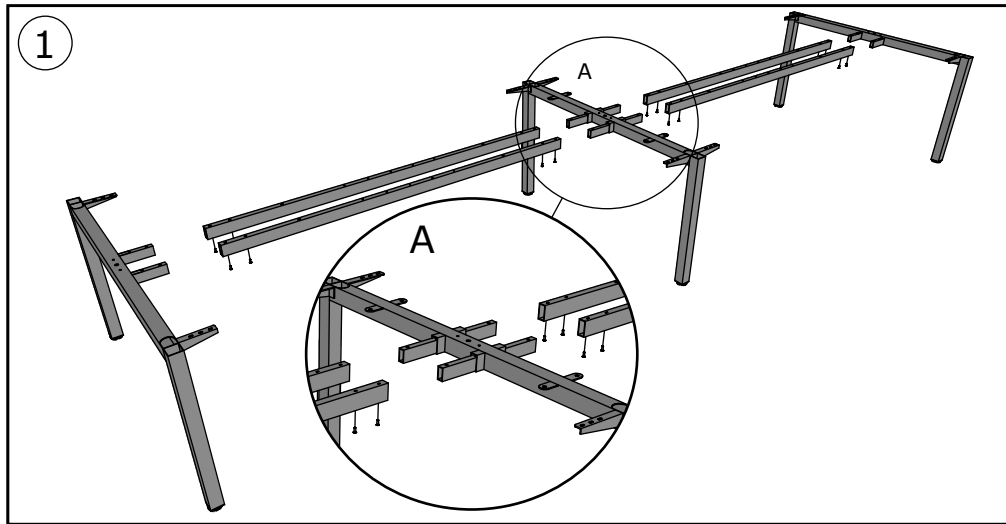
# AXIS SYSTEM STRAIGHTLINE

## Installation Guide

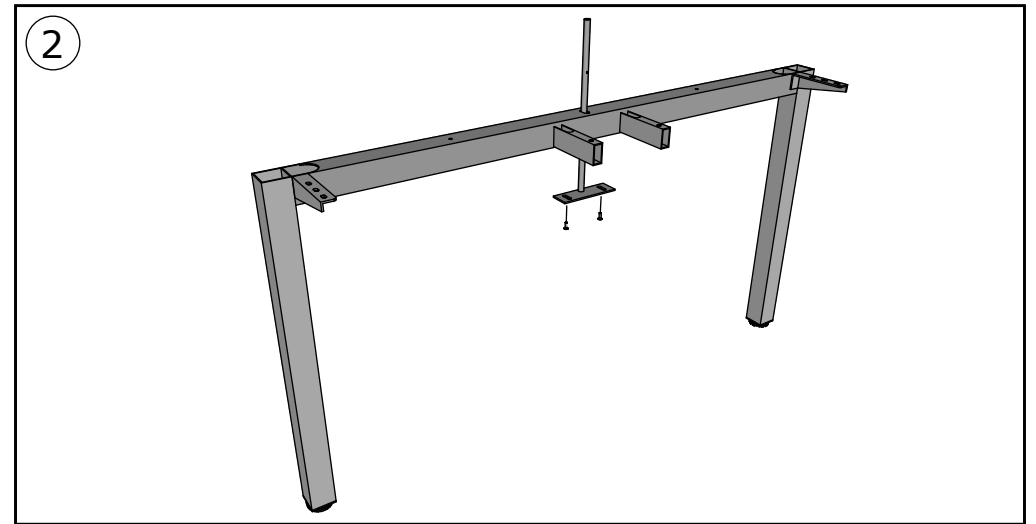


# AXIS SYSTEM STRAIGHTLINE

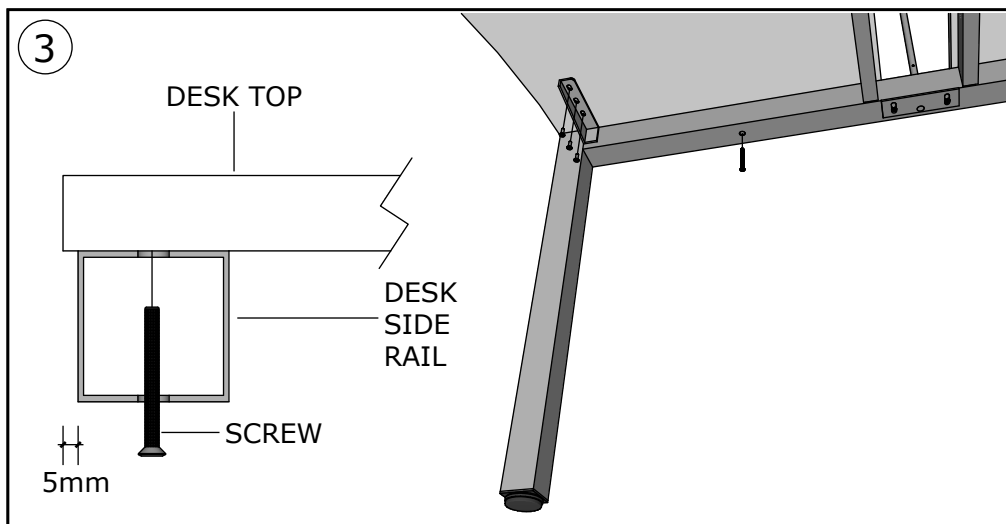
## Installation Guide



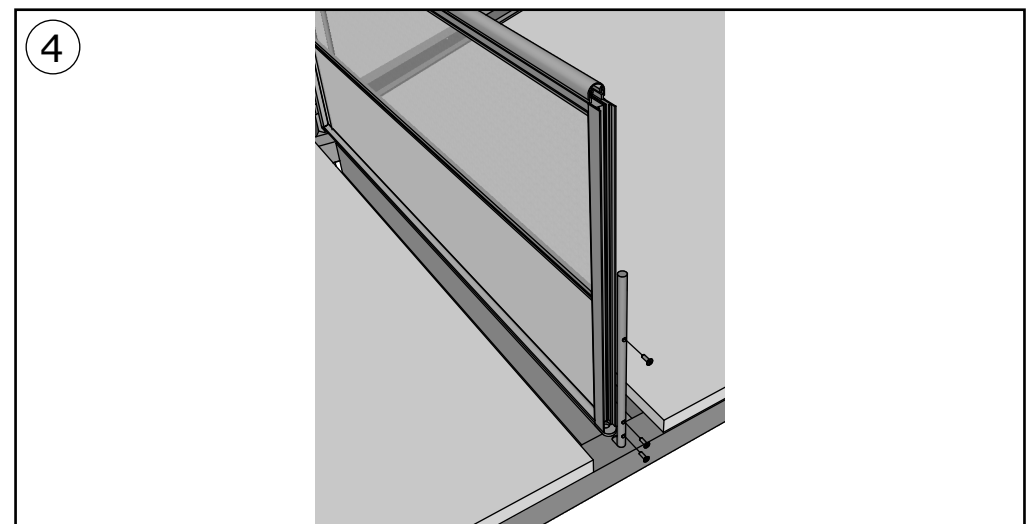
Assemble frames & rails together, loosely (1 turn from tight).



Assemble screen brackets to frame, loosely (1 turn from tight).



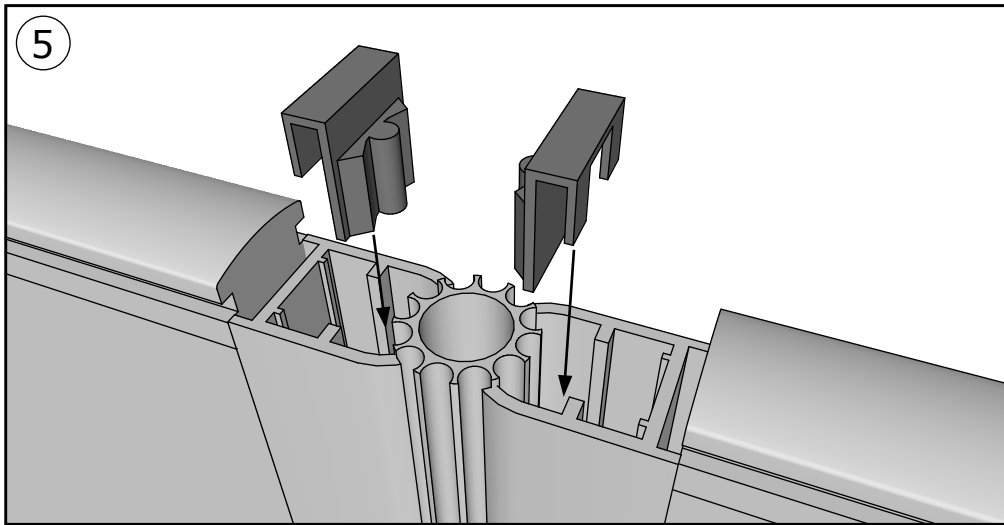
Fix desk top with 5mm overhang over metal frame. Where desktops butt together, make sure these are fitted tight together.



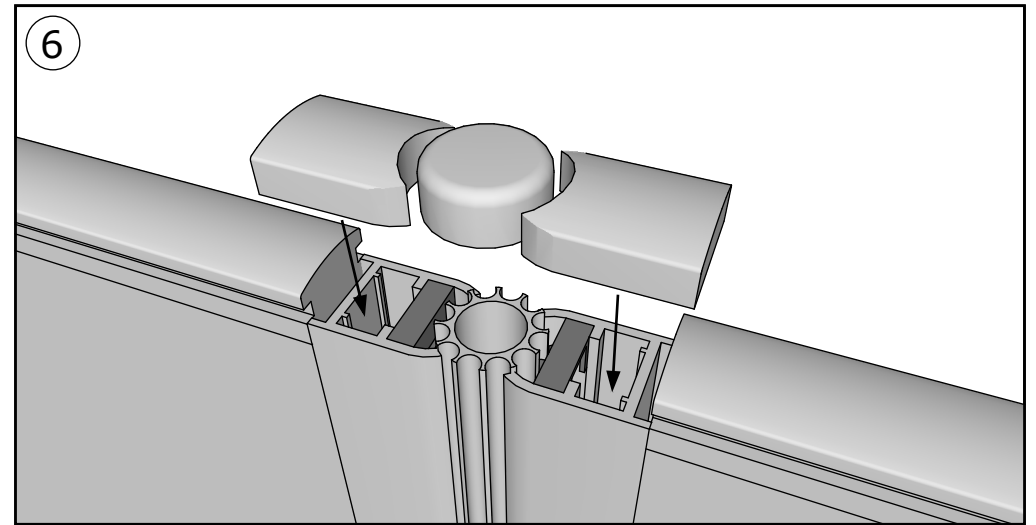
Carefully remove end seal on screen & fit screen between end brackets & screw self tappers to fix screen tightly.

# AXIS SYSTEM STRAIGHTLINE

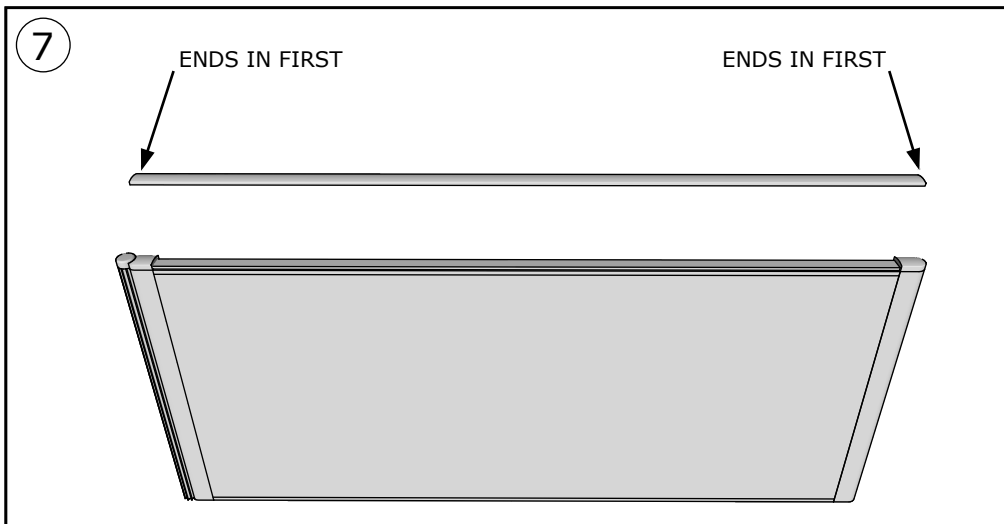
## Installation Guide



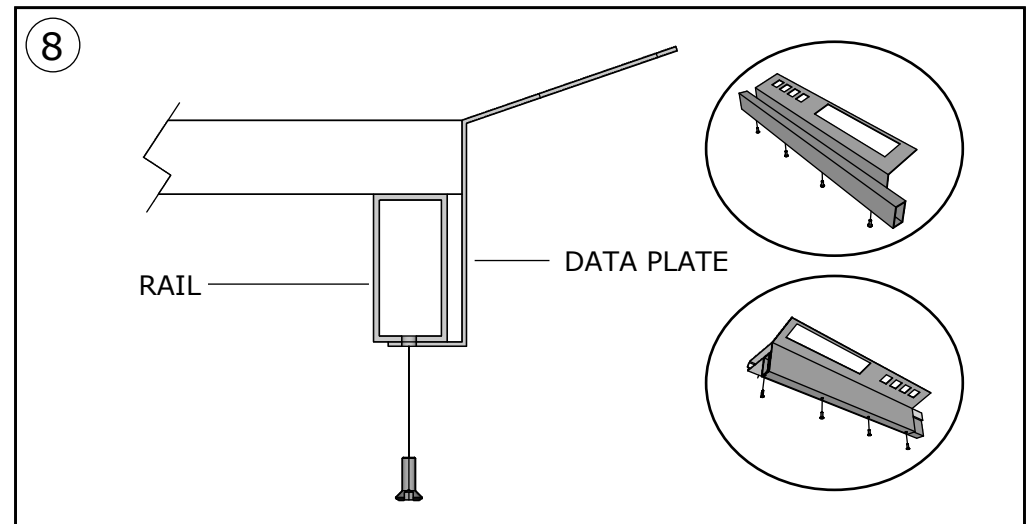
Slide screen pole over bracket & attach screens to pole with top slug connectors.



If not using wing screens then gently attach the 3 caps simultaneously tapping into position.



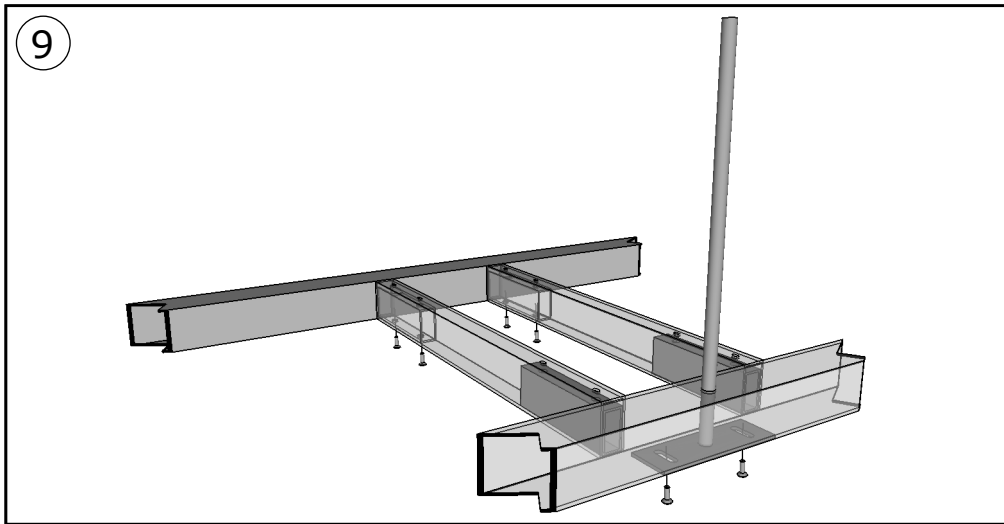
If for whatever reason you have to remove the top seal, then to refit, slightly arc in the middle, placing the 2 ends into location, & gently tap down.



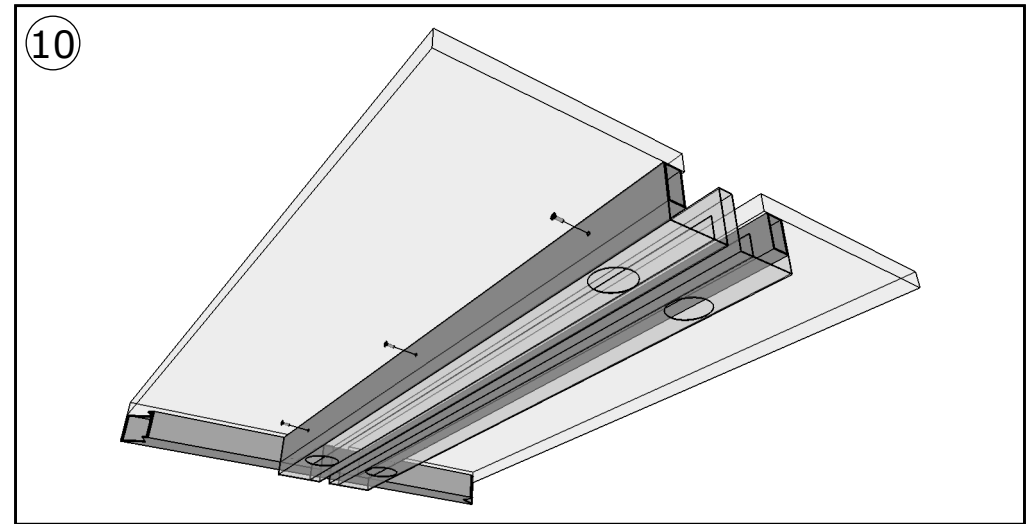
Fit data rails with screws into rails.

# AXIS SYSTEM STRAIGHTLINE

## Installation Guide



Fully tighten all rails to frame screws, & then screen bracket screws.

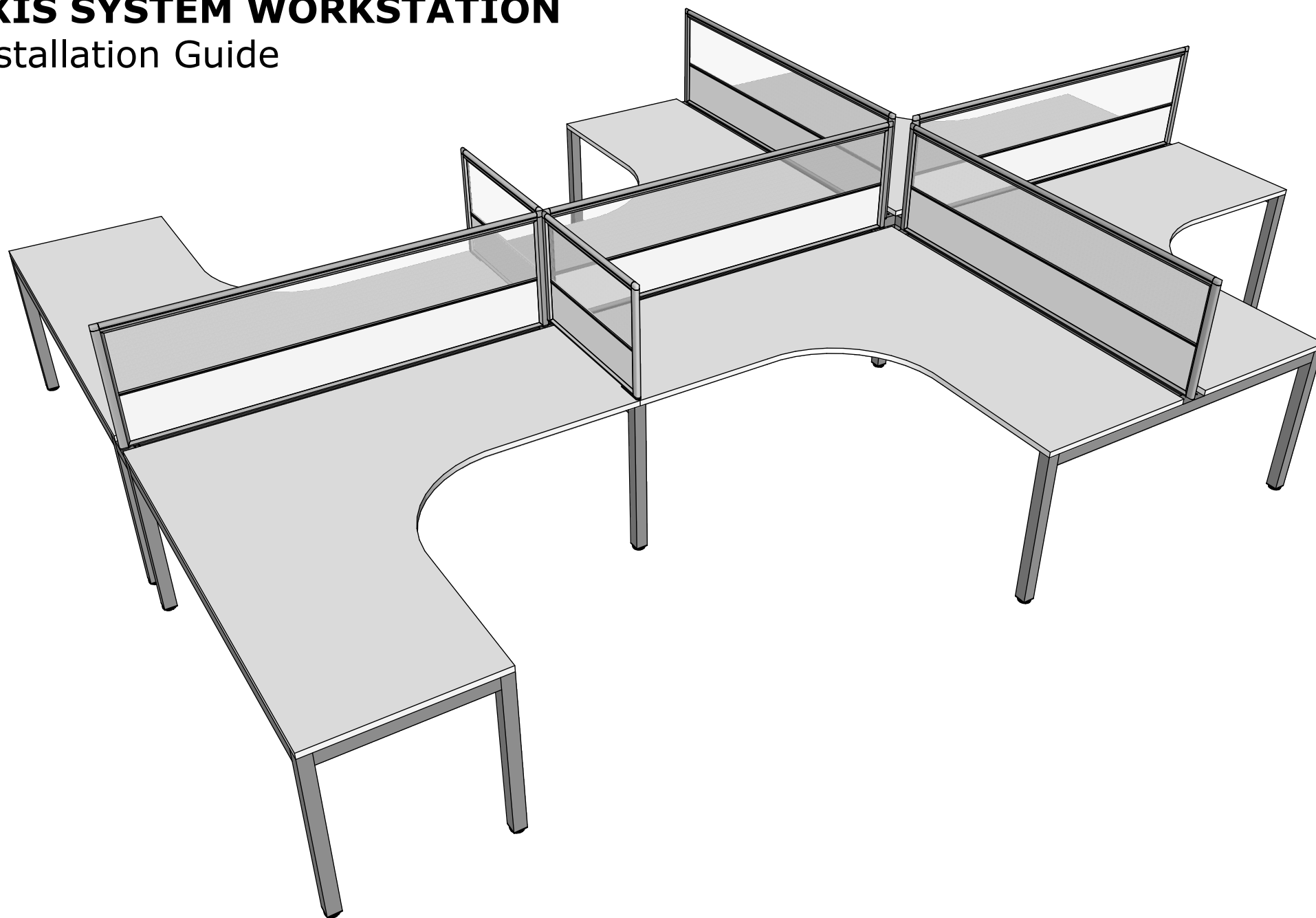


Attach cable trays with screws provided.



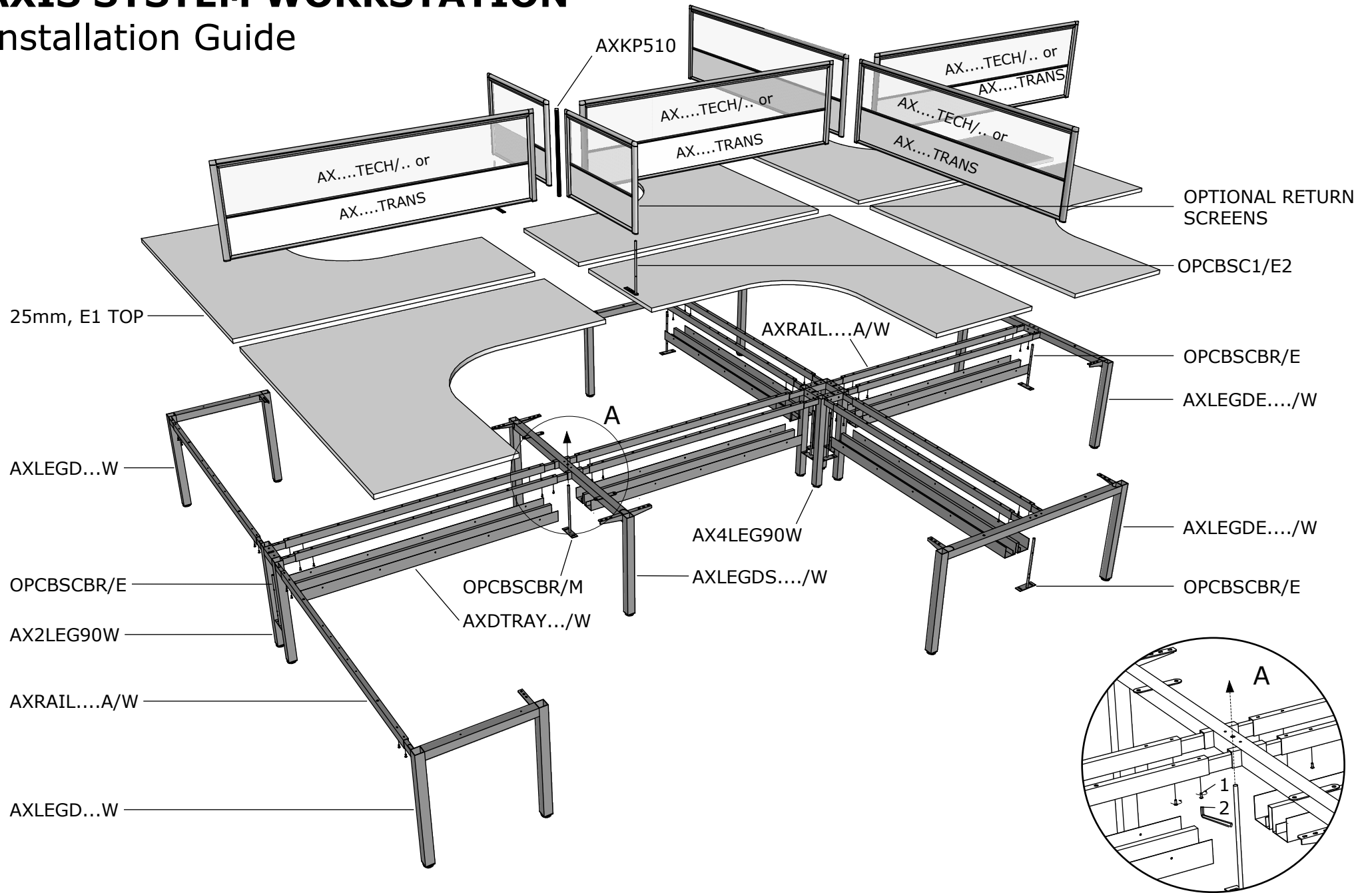
# AXIS SYSTEM WORKSTATION

## Installation Guide



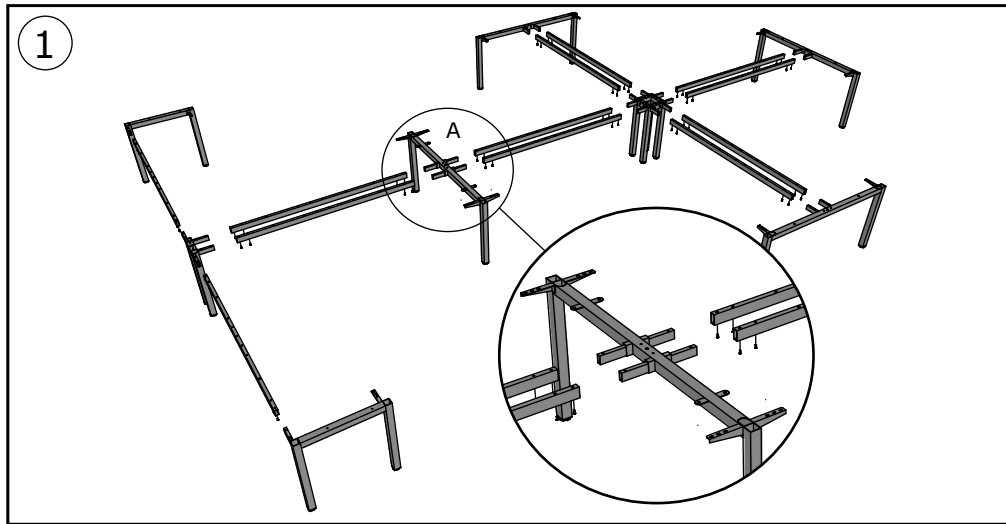
# AXIS SYSTEM WORKSTATION

## Installation Guide

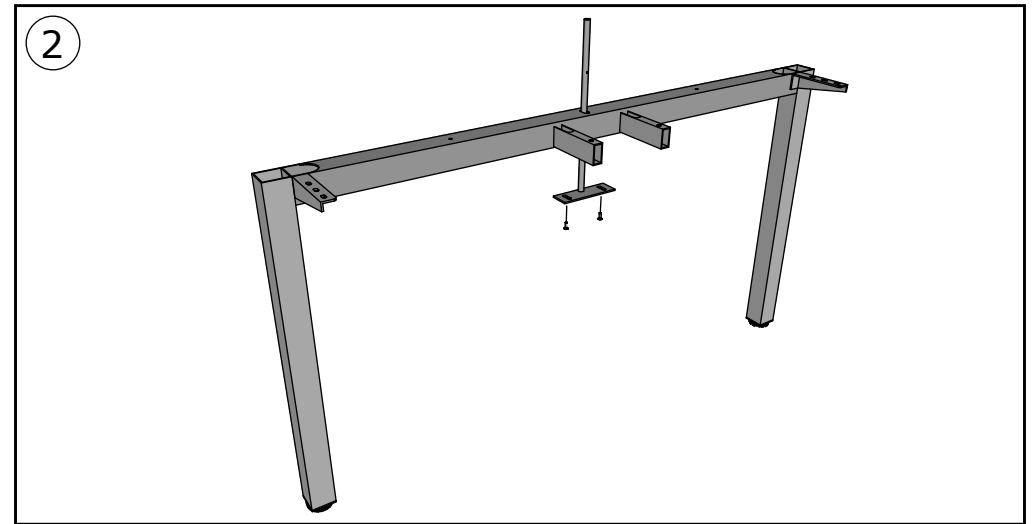


# AXIS SYSTEM WORKSTATION

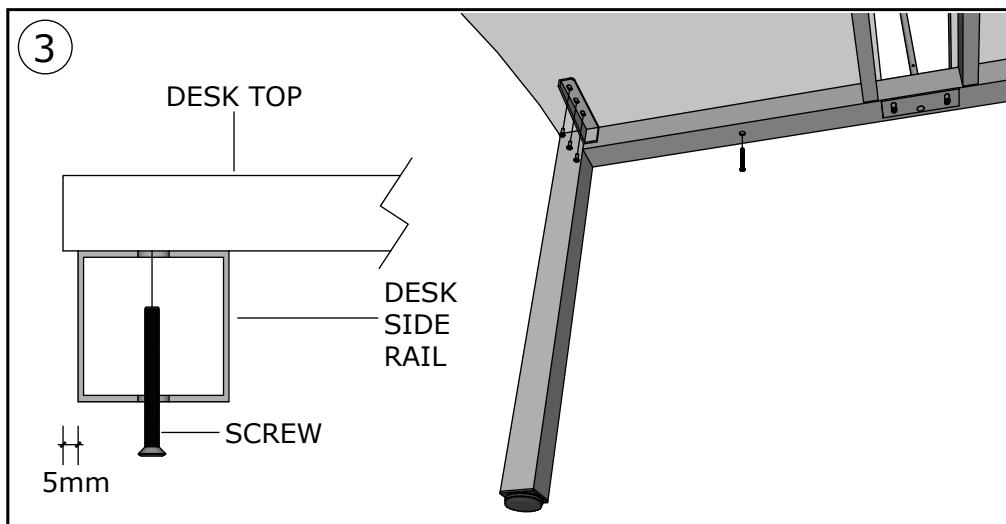
## Installation Guide



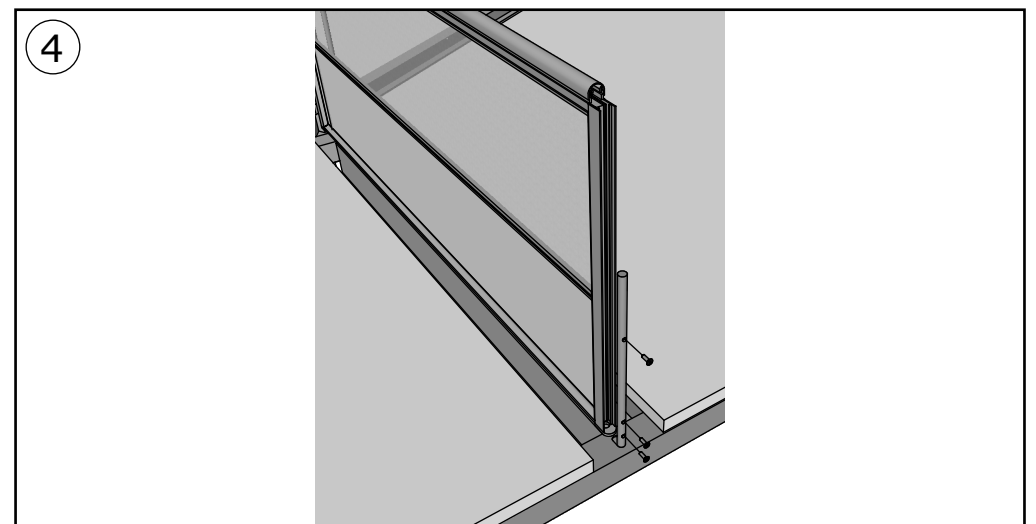
Assemble frames & rails together, loosely (1 turn from tight).



Assemble screen brackets to frame, loosely (1 turn from tight).



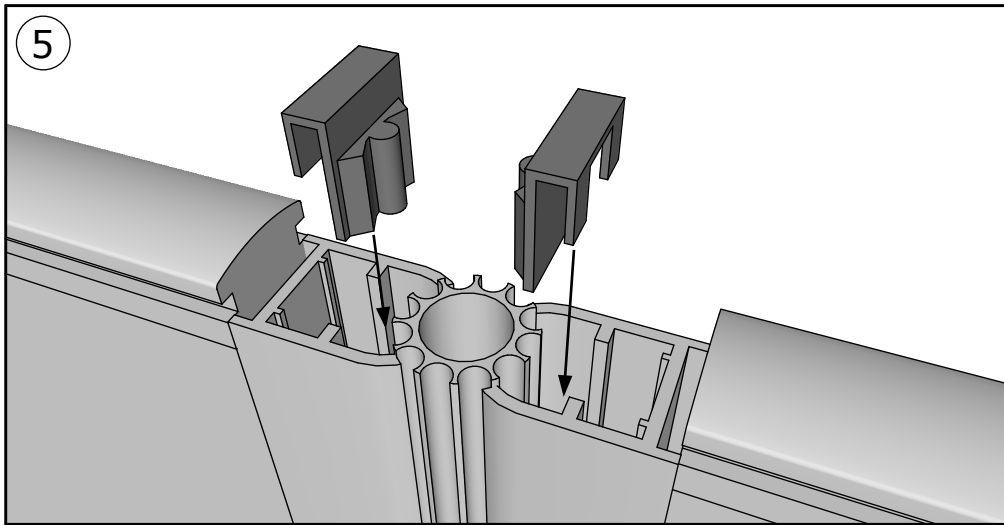
Fix desk top with 5mm overhang over metal frame. Where desktops butt together, make sure these are fitted tight together.



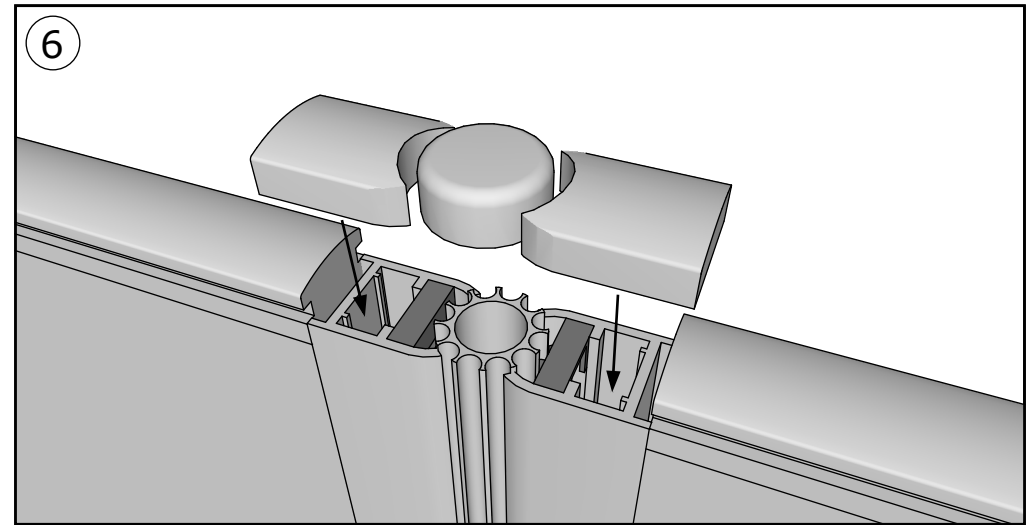
Carefully remove end seal on screen & fit screen between end brackets & screw self tappers to fix screen tightly.

# AXIS SYSTEM WORKSTATION

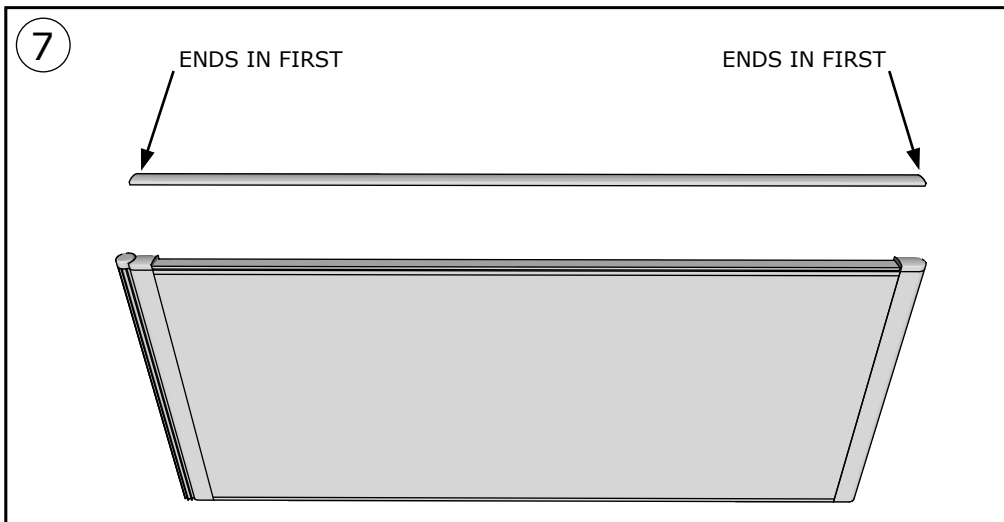
## Installation Guide



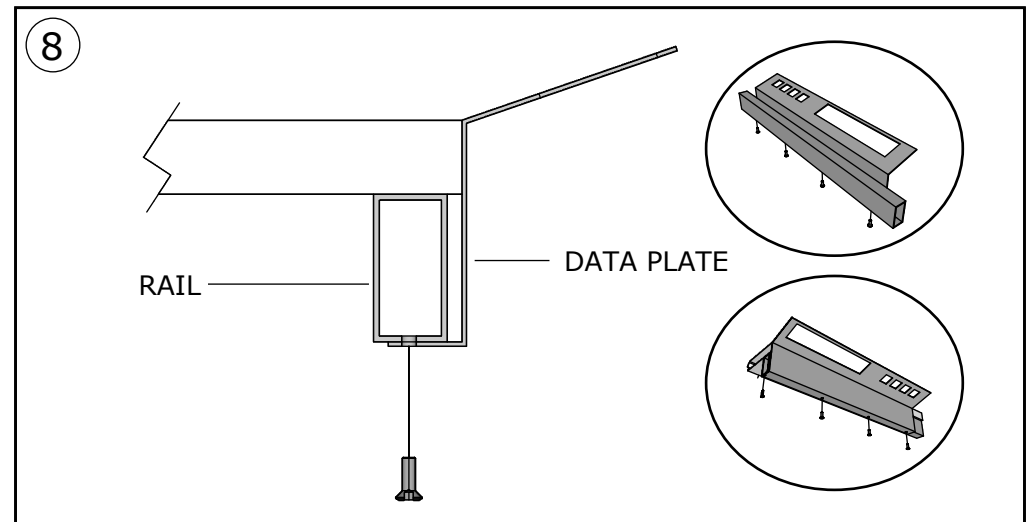
5 Slide screen pole over bracket & attach screens to pole with top slug connectors.



6 If not using wing screens then gently attach the 3 caps simultaneously tapping into position.



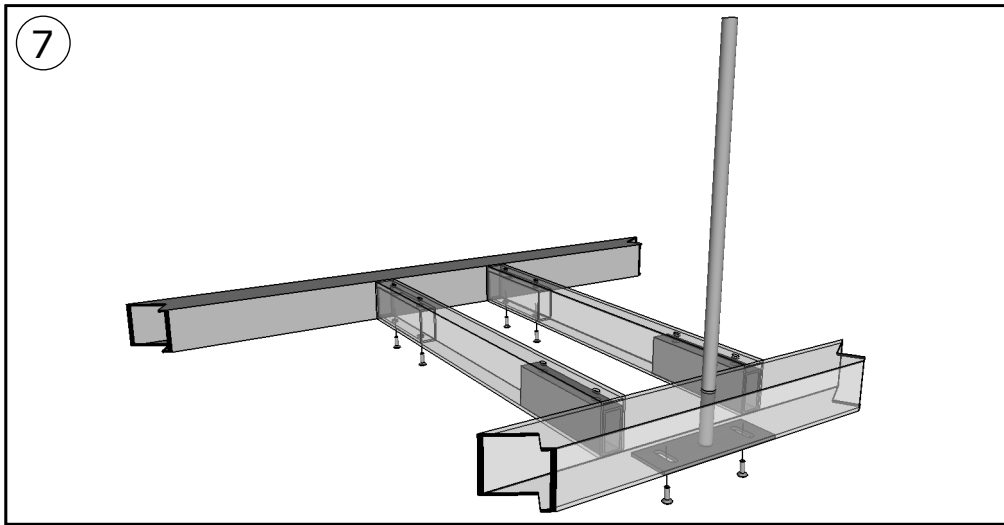
7 If for whatever reason you have to remove the top seal, then to refit, slightly arc in the middle, placing the 2 ends into location, & gently tap down.



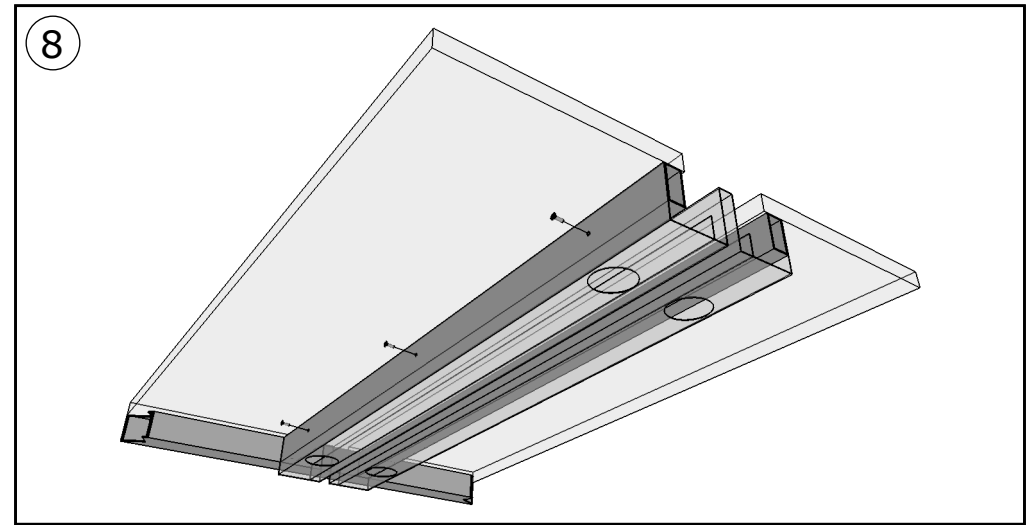
8 Fit data rails with screws into rails.

# AXIS SYSTEM WORKSTATION

## Installation Guide



Fully tighten all rails to frame screws, & then screen bracket screws.



Attach cable trays with screws provided.

# Axis Offset Hung Screen

with side fix cable tray into **screen** and **above** desk power & data plate

Installation Guide - Version 2

---

**TOOLS REQUIRED:** Powered screwdriver

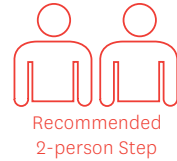


# Axis Offset Hung Screen

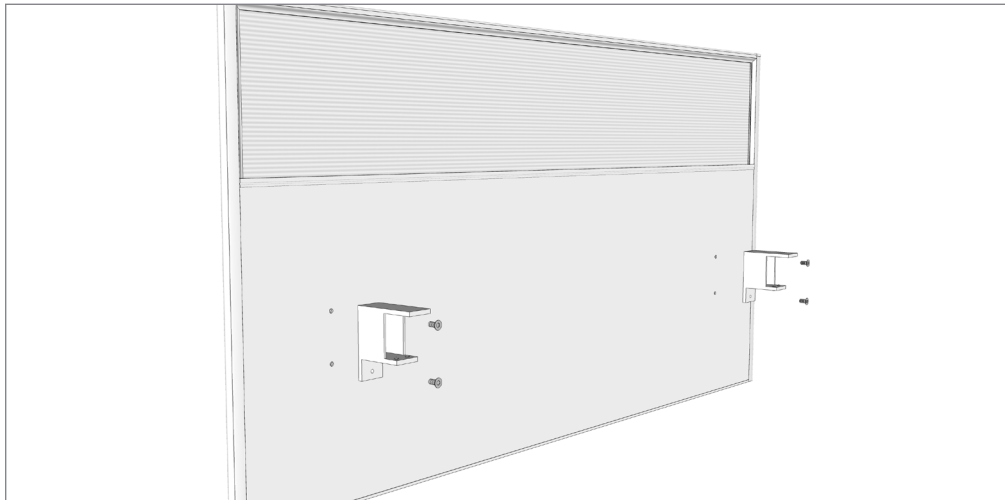
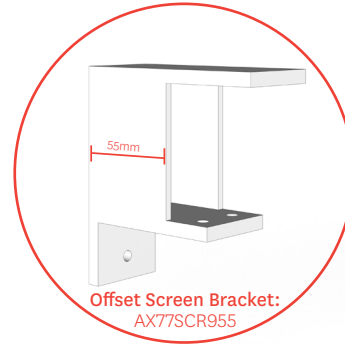
with side fix cable tray into **screen** and **above** desk power & data plate

## Installation Guide

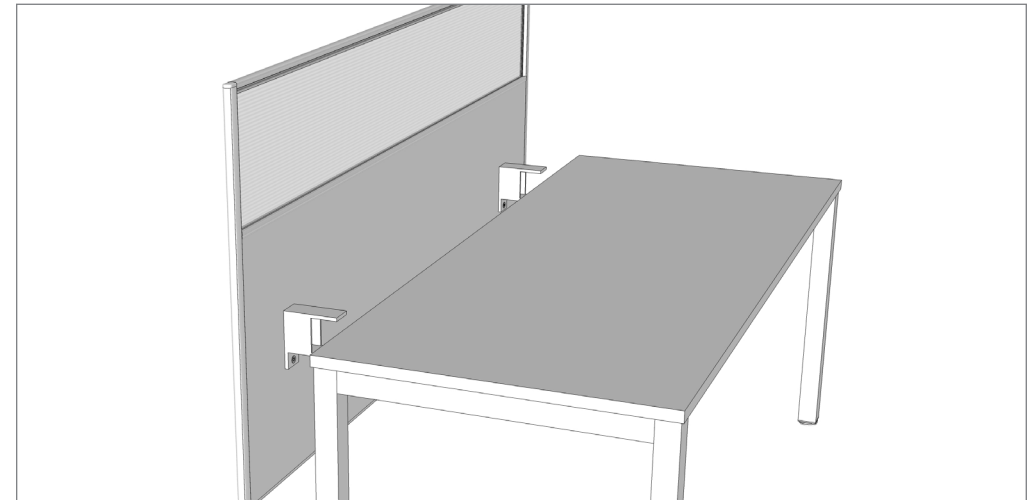
\*To prevent possible scratches or damage, assemble the desk on a soft surface such as a blanket, carpet or packaging.



\*Attach screen, cable tray and power data plate to the desk assembly by using bolts, spring washer, flat washer. Tighten using the allen wrench provided.



**STEP 1:** Fully tighten brackets onto screen.

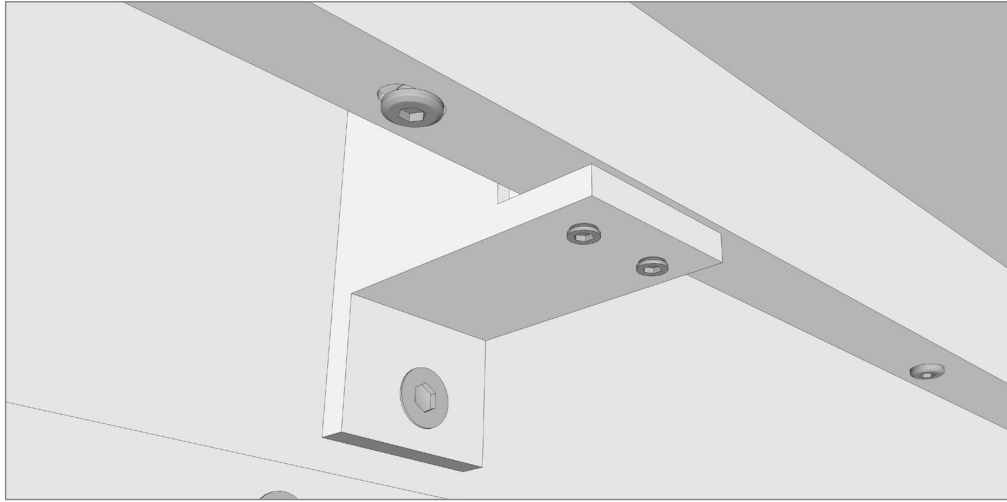


**STEP 2:** Carefully slide the screen onto the back of the workspace, centre the screen evenly behind the desk.

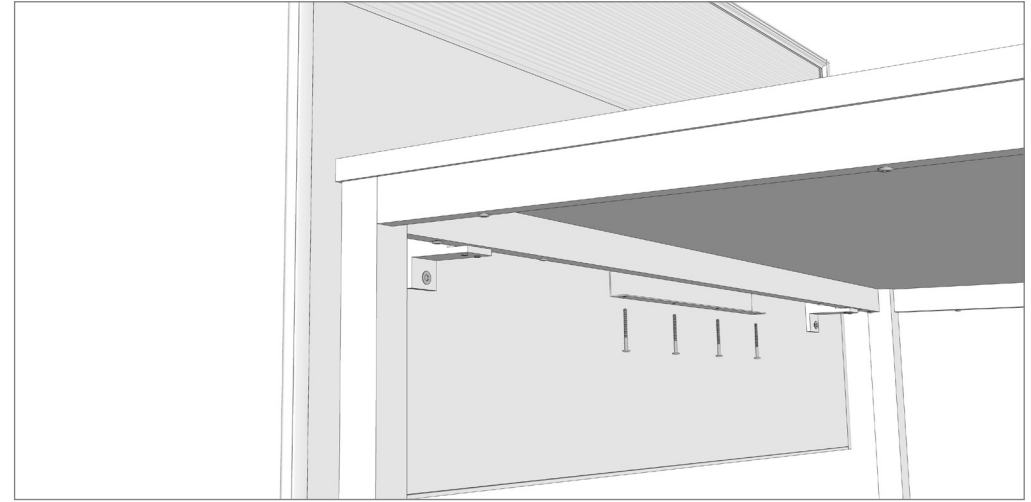
# Axis Offset Hung Screen

with side fix cable tray into **screen** and **above** desk power & data plate

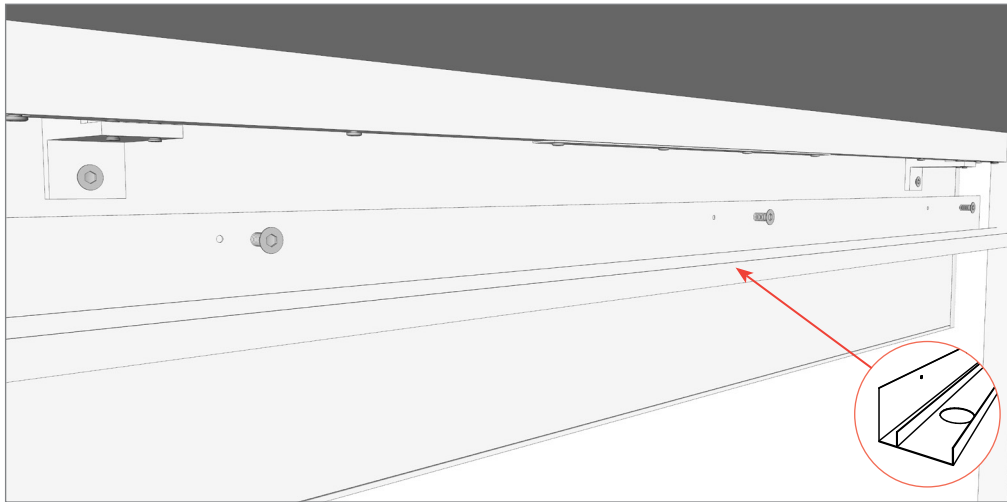
## Installation Guide



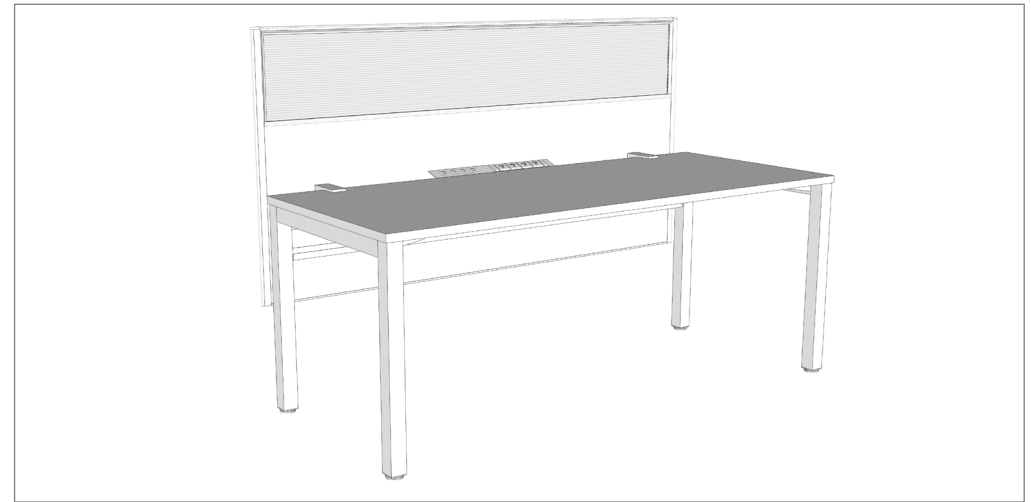
**STEP 3:** Fully tighten the small grub screws on the underside of the brackets, so they grip under the desk frame-rail.



**STEP 4:** Position the power data plate. Pre-drill holes into the rail, fully tighten power data plate with provided screws.



**STEP 5:** Pre-drill starter holes into the screen, fully tighten cable tray with provided self-tapping screws.



**COMPLETE.**



# Axis Standard Hung Screen

with side fix cable tray into **rail** and **below** desk power & data plate

Installation Guide - Version 2

---

**TOOLS REQUIRED:** Powered screwdriver

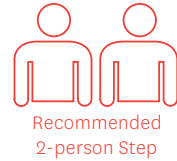


# Axis Standard Hung Screen

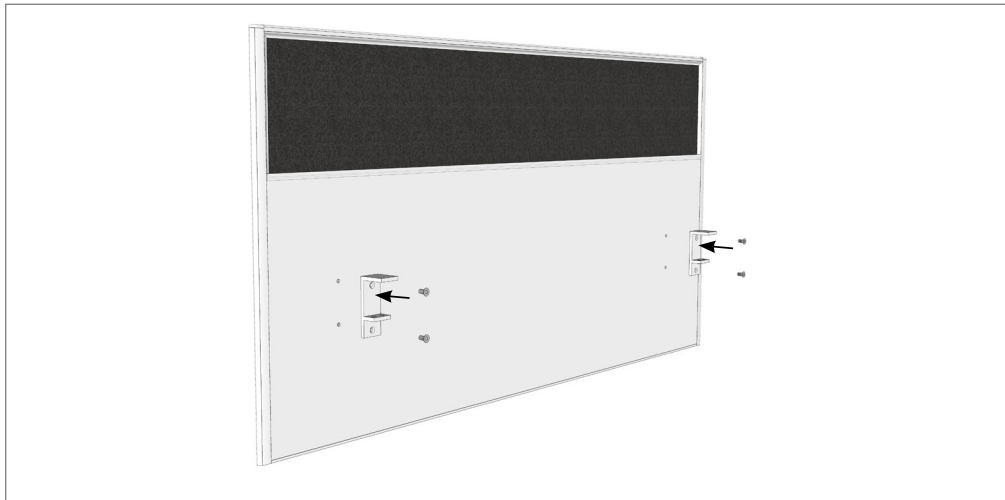
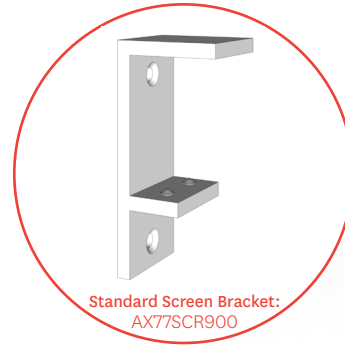
with side fix cable tray into rail and below desk power & data plate

## Installation Guide

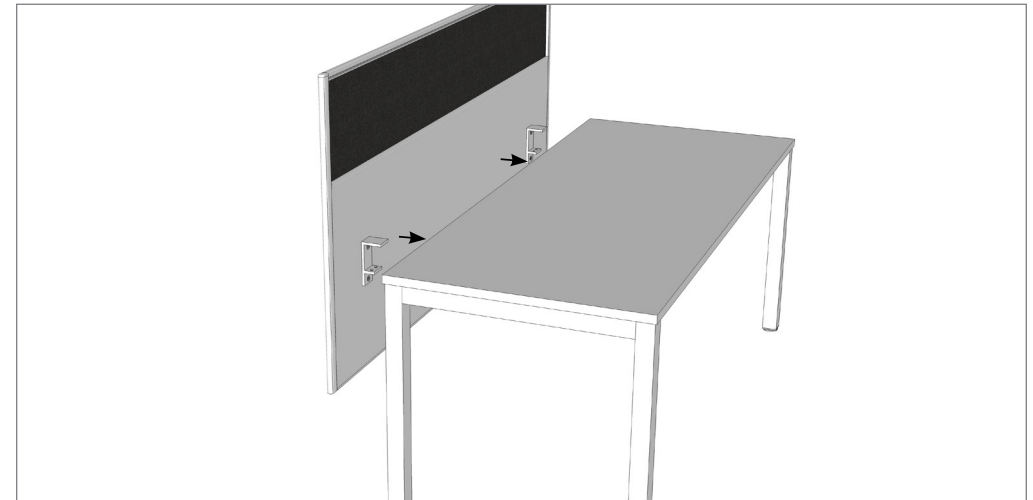
\*To prevent possible scratches or damage, assemble the desk on a soft surface such as a blanket, carpet or packaging.



\*Attach screen, cable tray and power data plate to the desk assembly by using bolts, spring washer, flat washer. Tighten using the allen wrench provided.



**STEP 1:** Fully tighten brackets onto screen.

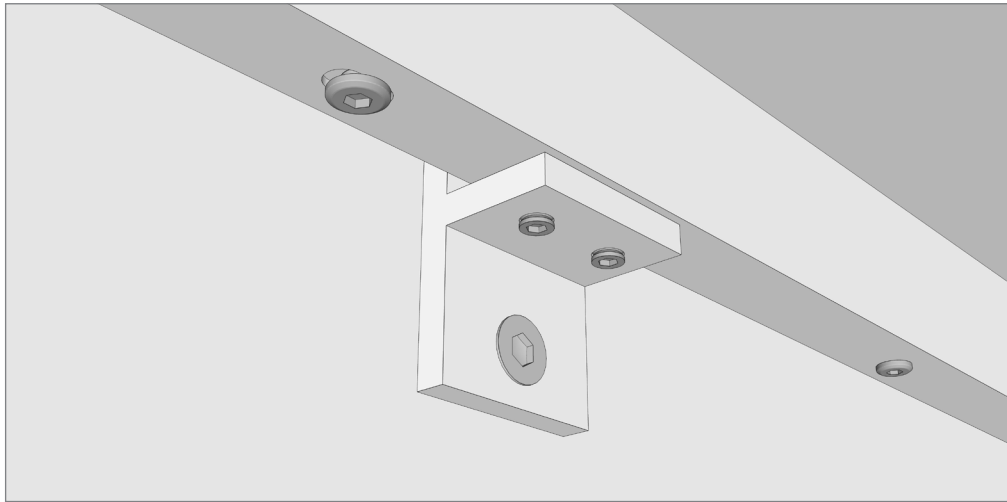


**STEP 2:** Carefully slide the screen onto the back of the worksurface, centre the screen evenly behind the desk.

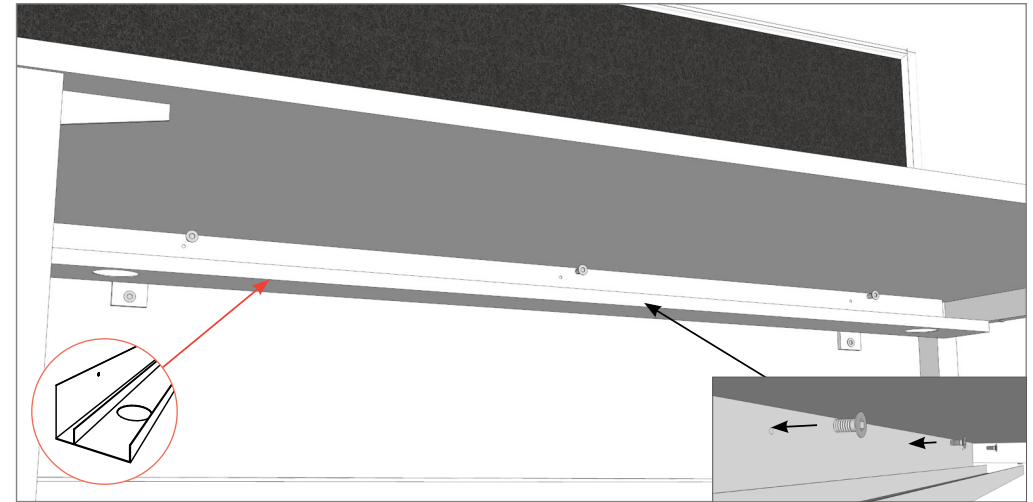
# Axis Standard Hung Screen

with side fix cable tray into rail and below desk power & data plate

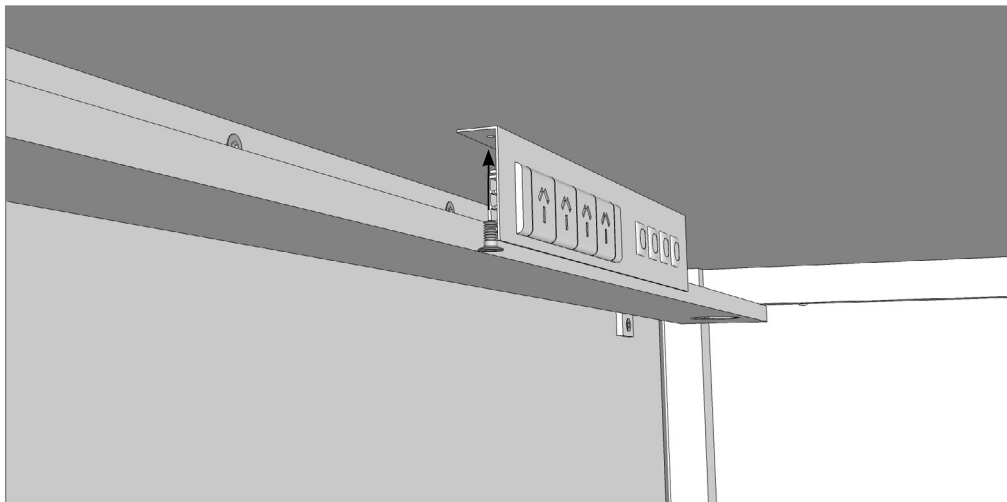
## Installation Guide



**STEP 3:** Fully tighten the small grub screws on the underside of the bracket, so they grip underside of desk frame rail.



**STEP 4:** Position cable tray, pre-drill holes into the rail, fully tighten cable tray with provided screws.



**STEP 5:** Pre-drill starter holes into underside of the work surface, fully tighten power data service mounting plate with provided self-tapping screws.



**COMPLETE**