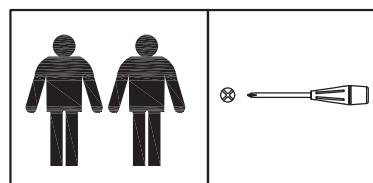
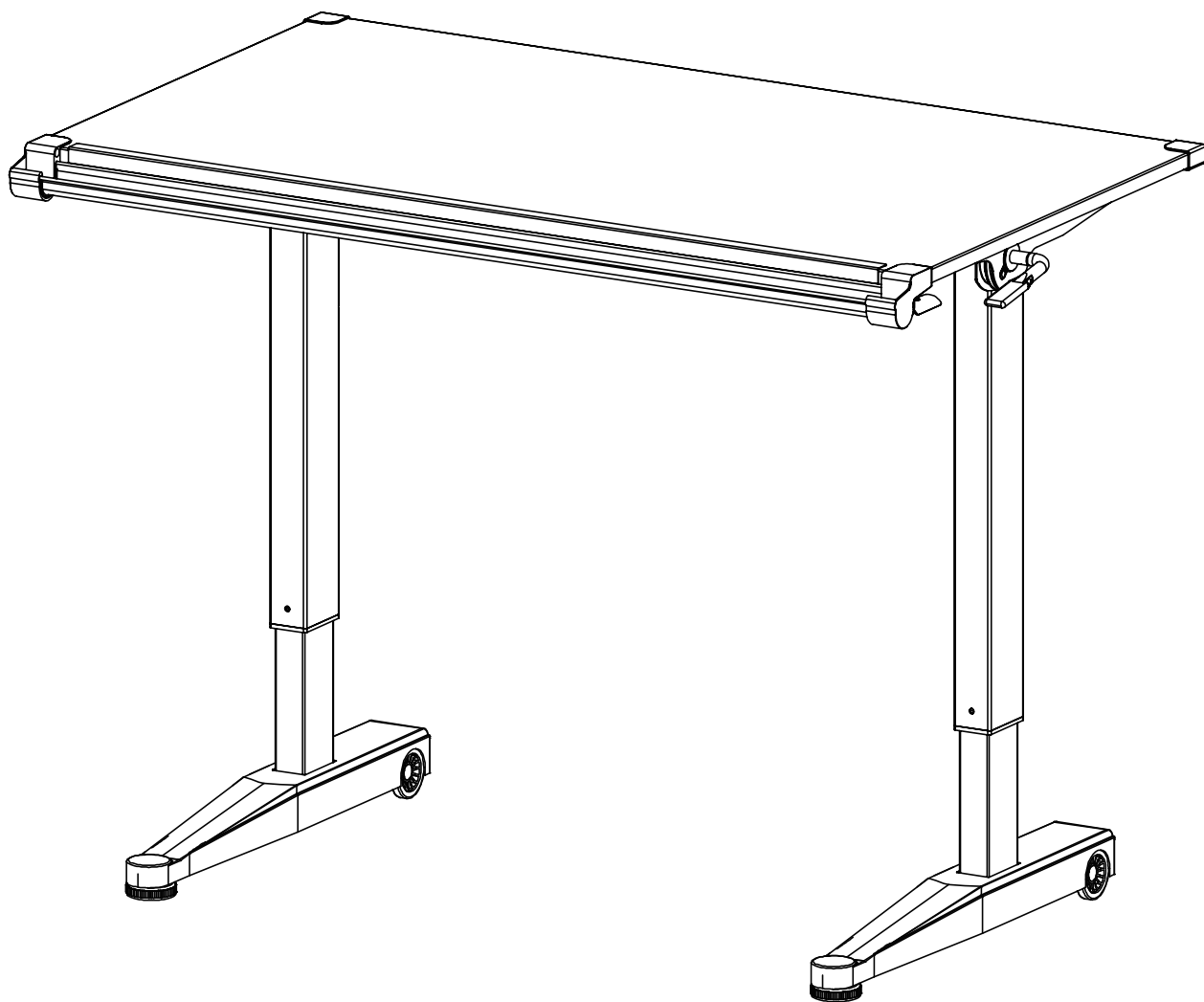
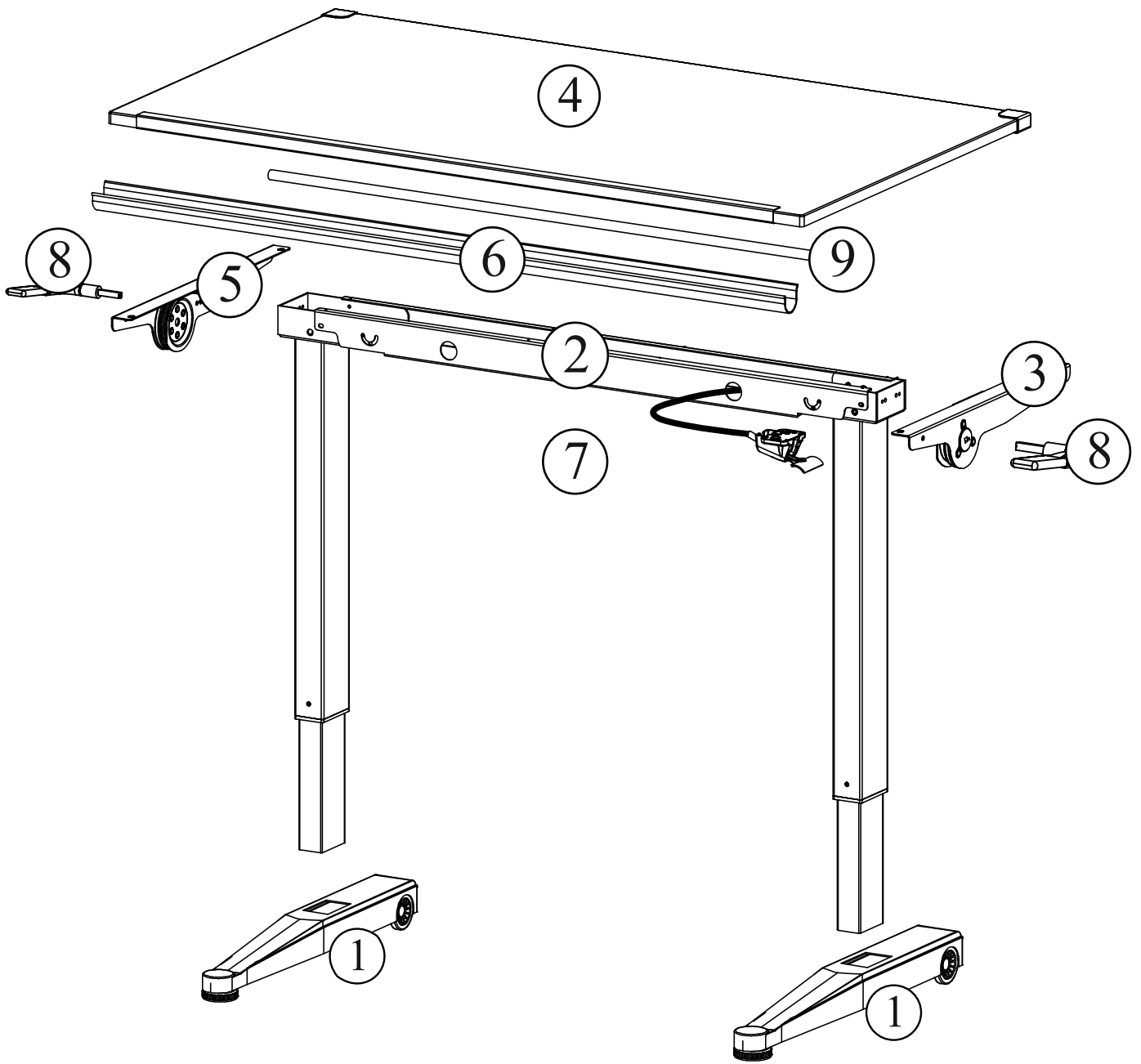

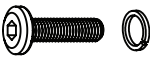


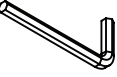
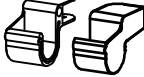



ASSEMBLY INSTRUCTION





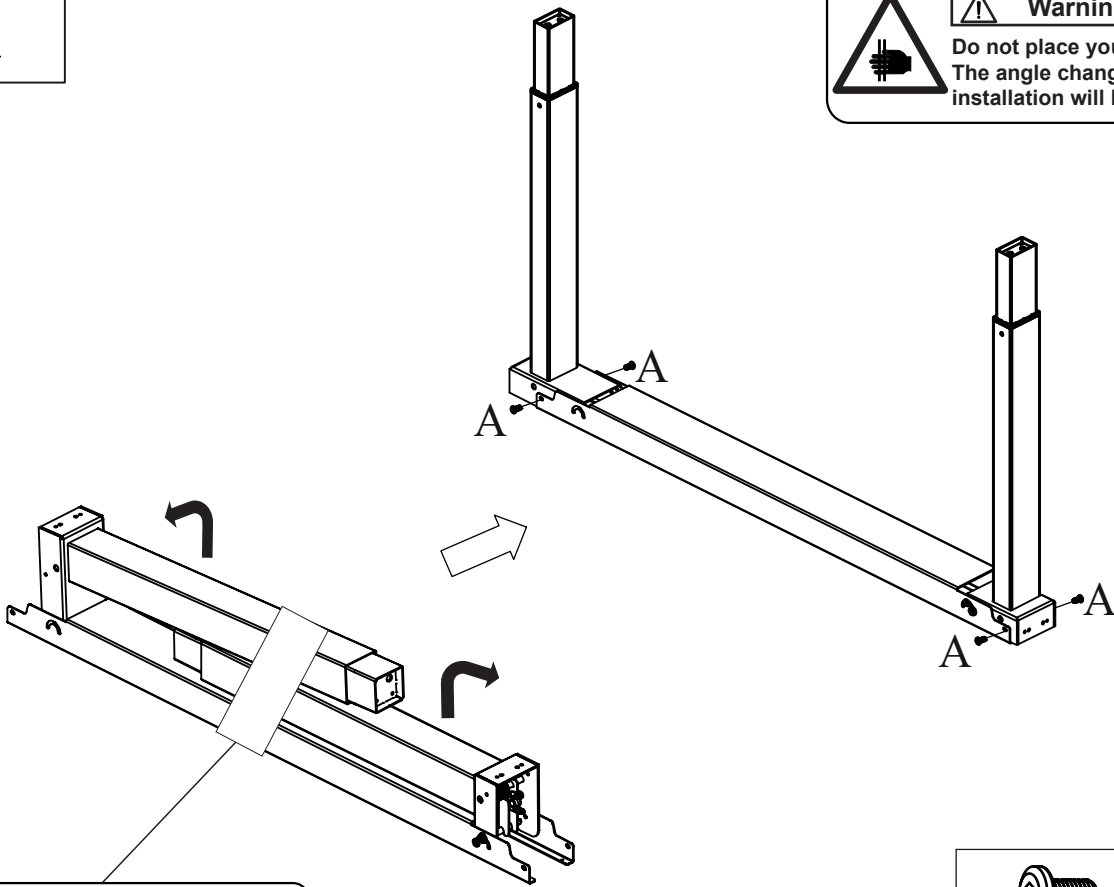
	Ax20	M6x12mm		Bx8	M6x25mm
	Cx2			Dx1	M4x12mm
	Fx1	4MM		Hx1	
	Ix1	2.5MM			

1



Warning Hands Pinching

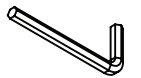
Do not place your hand near the here. The angle changes during the installation will hurt you.



Do not cut off tape before open frame.

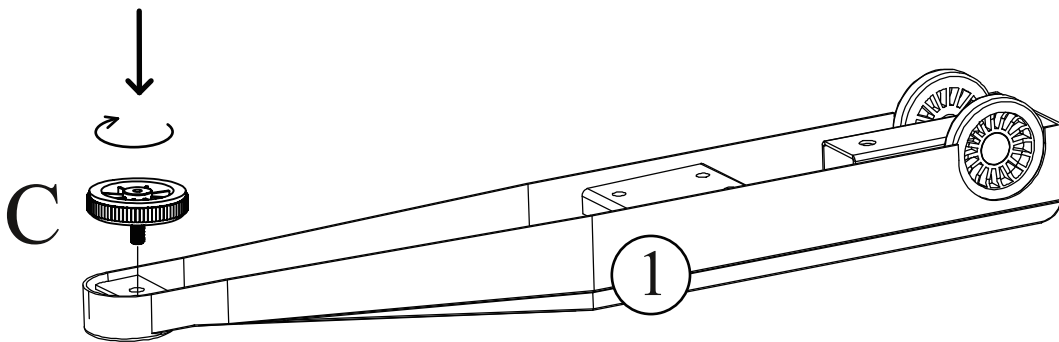


Ax4



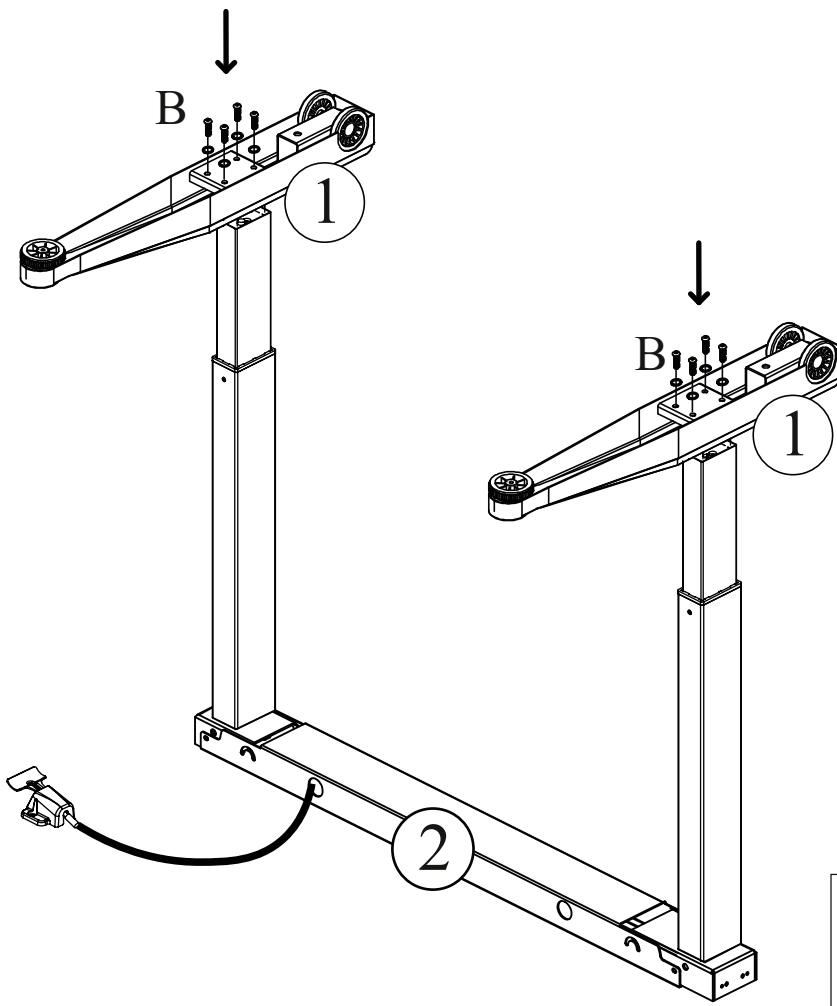
Fx1

2



Cx2

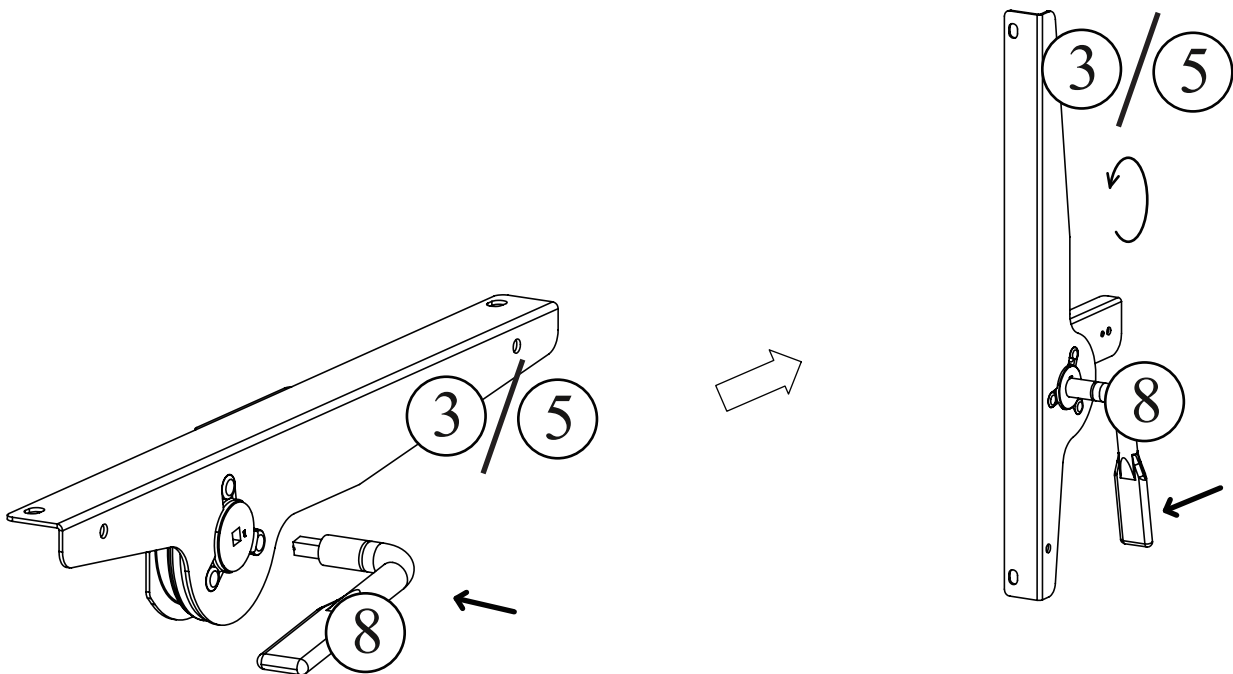
3



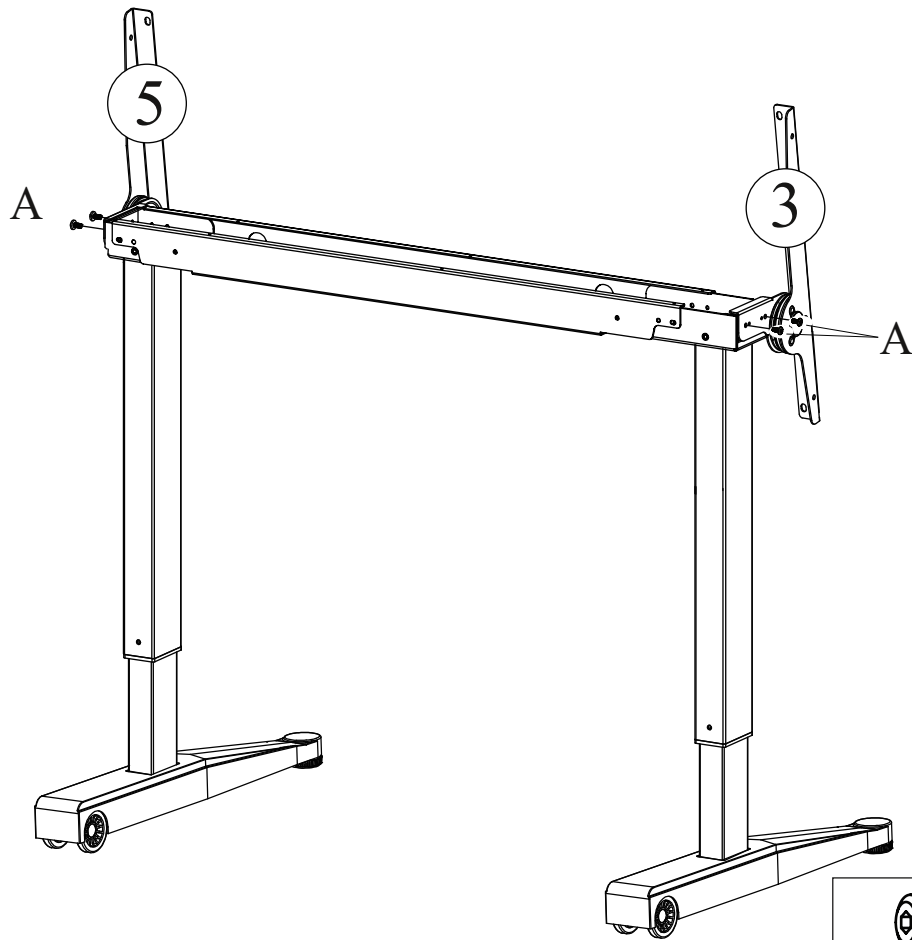
Bx8

Fx1

4



5

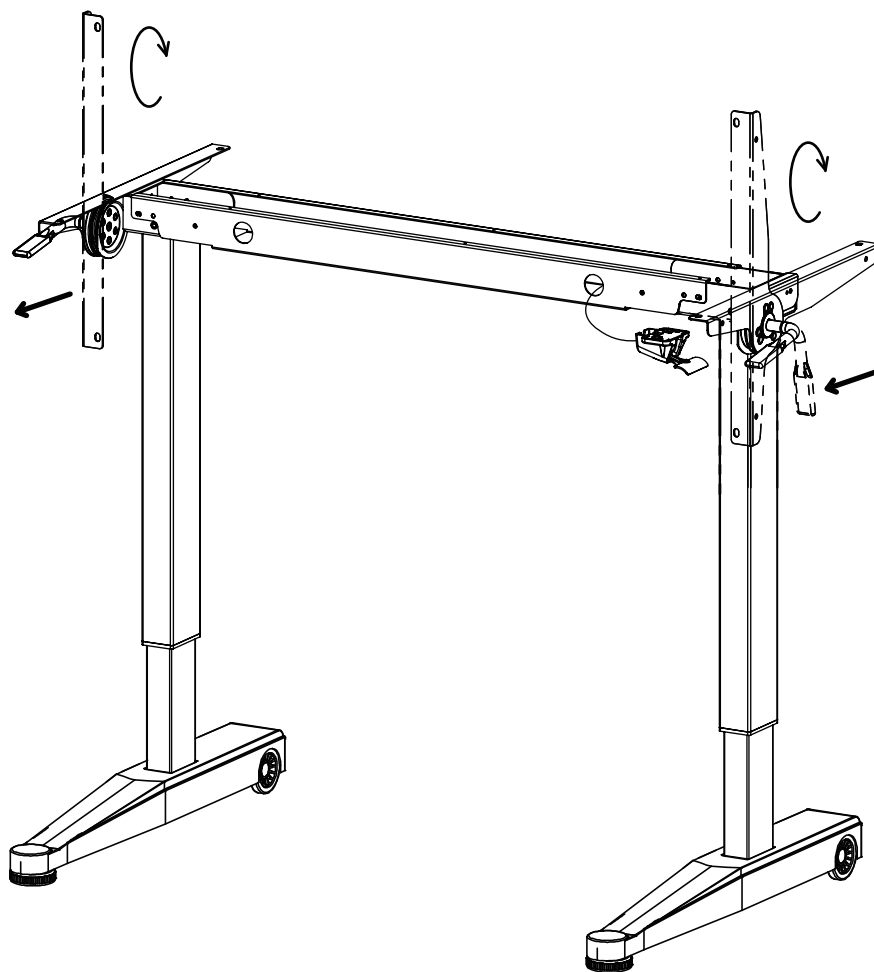


Ax4

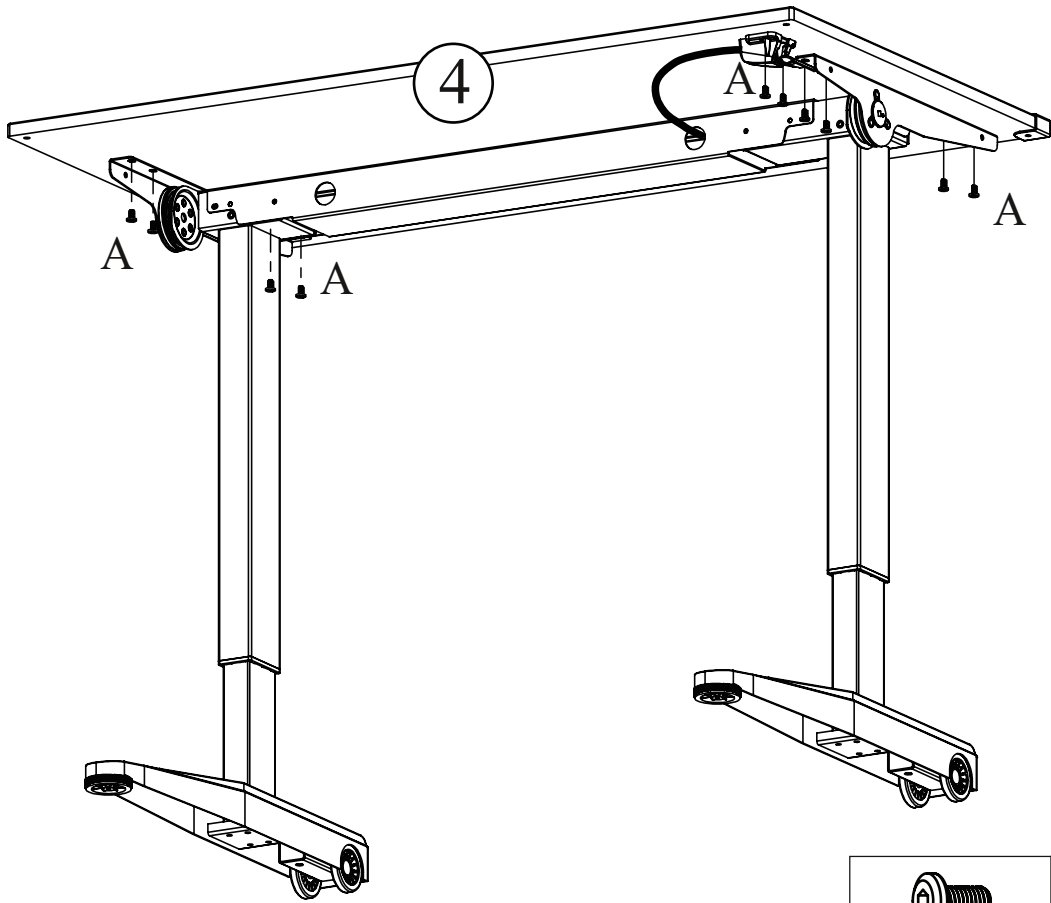


Fx1

6



7

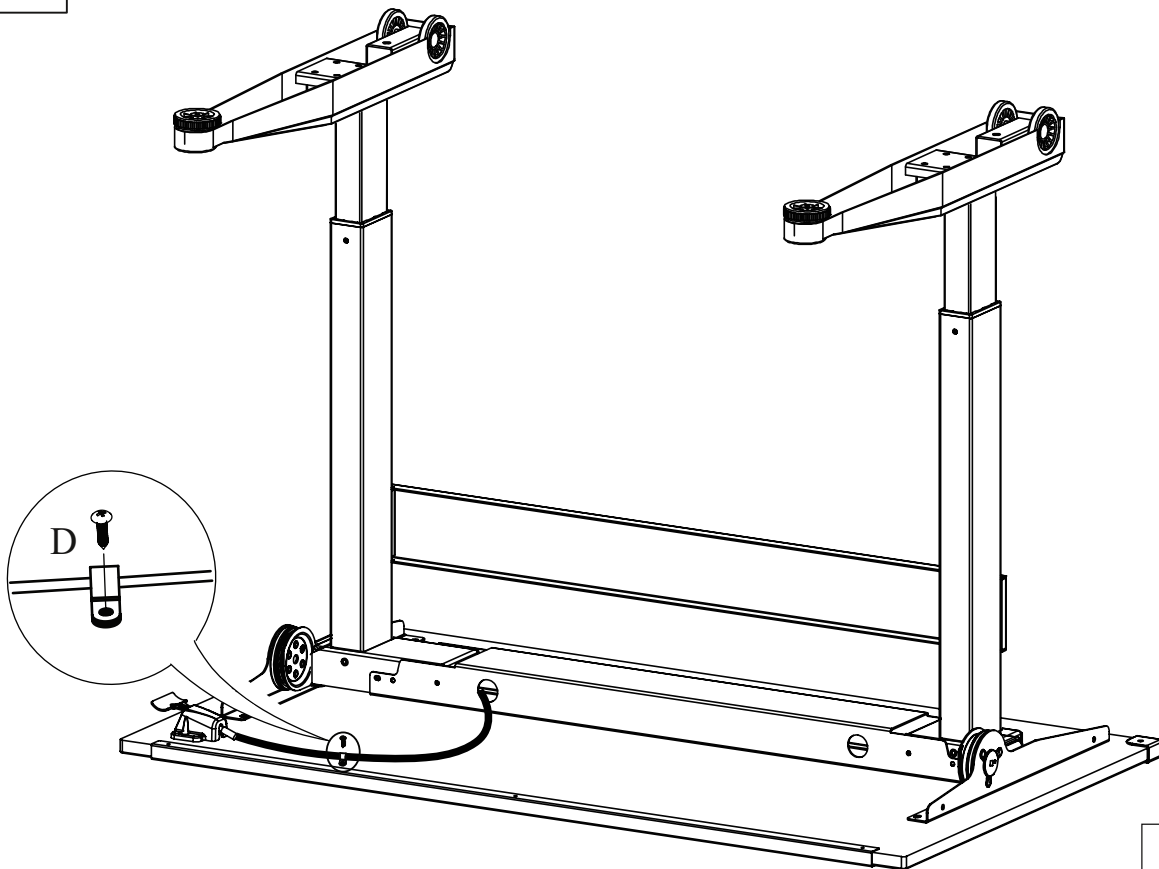


Ax10



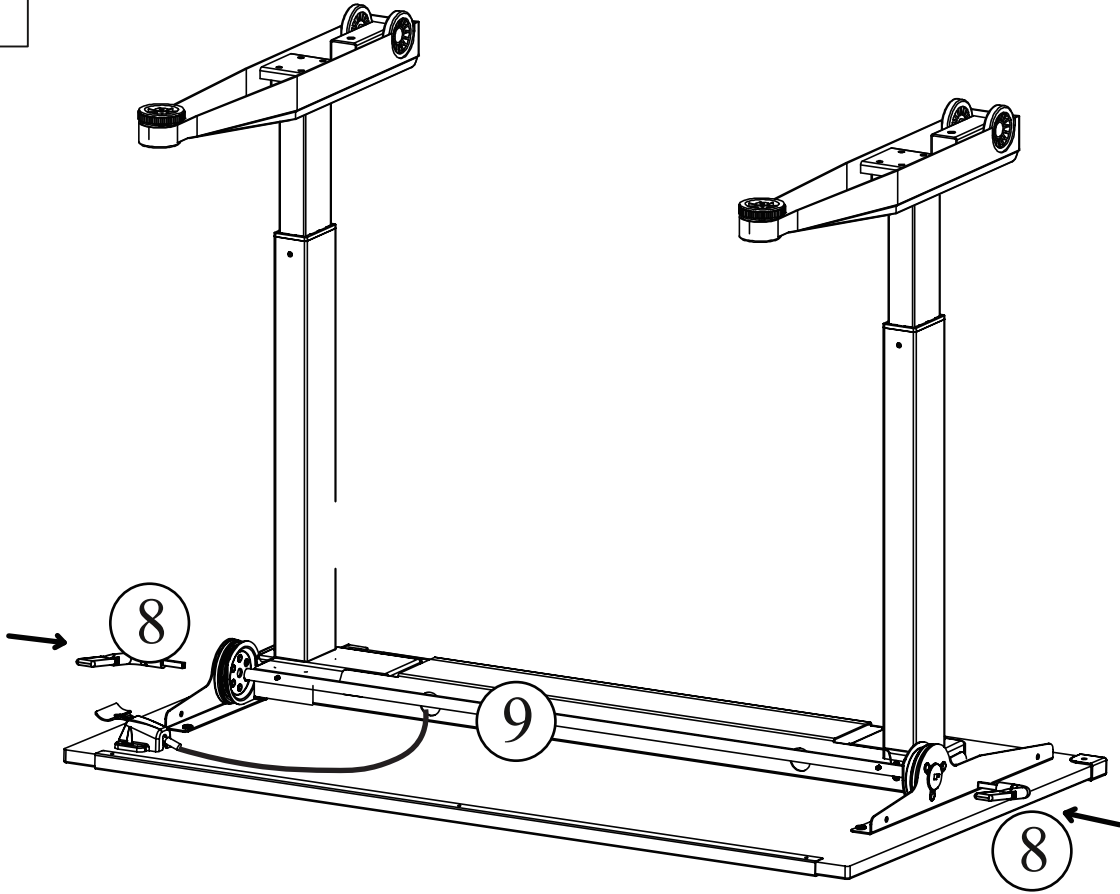
Fx1

8

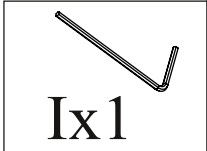
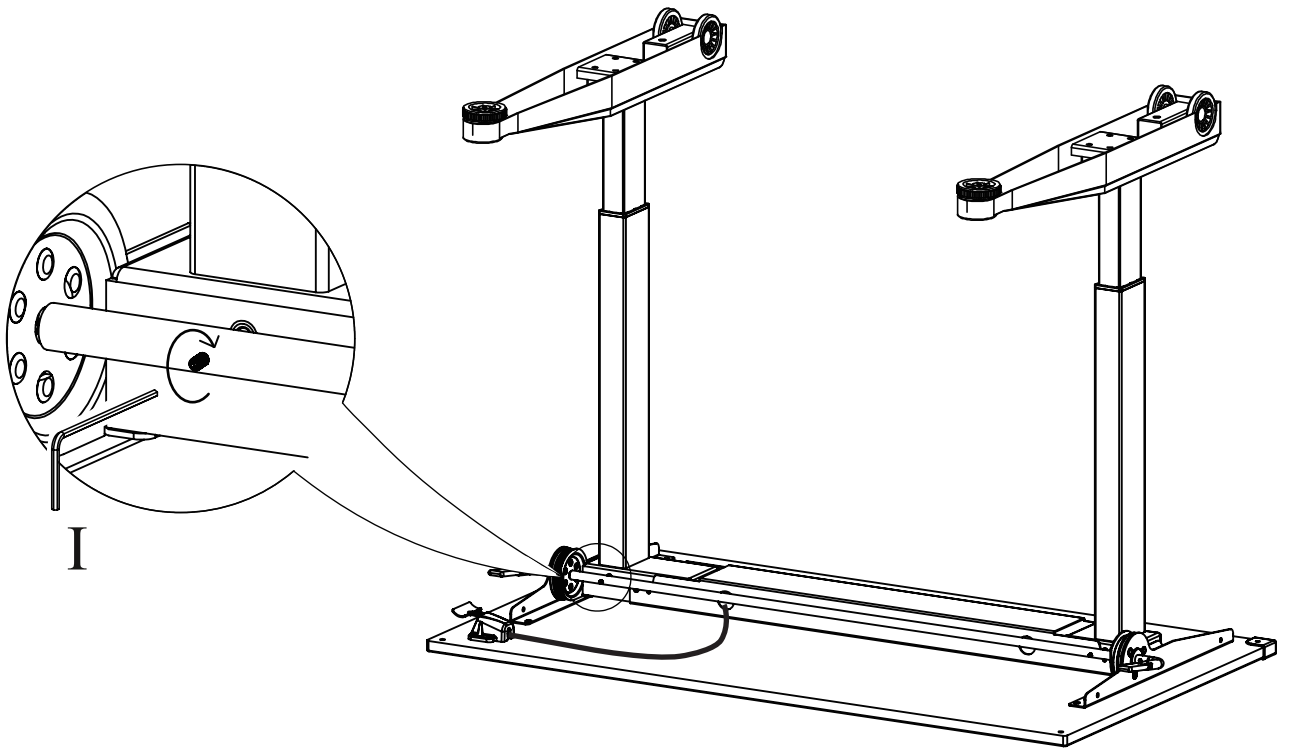


Dx1

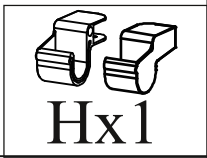
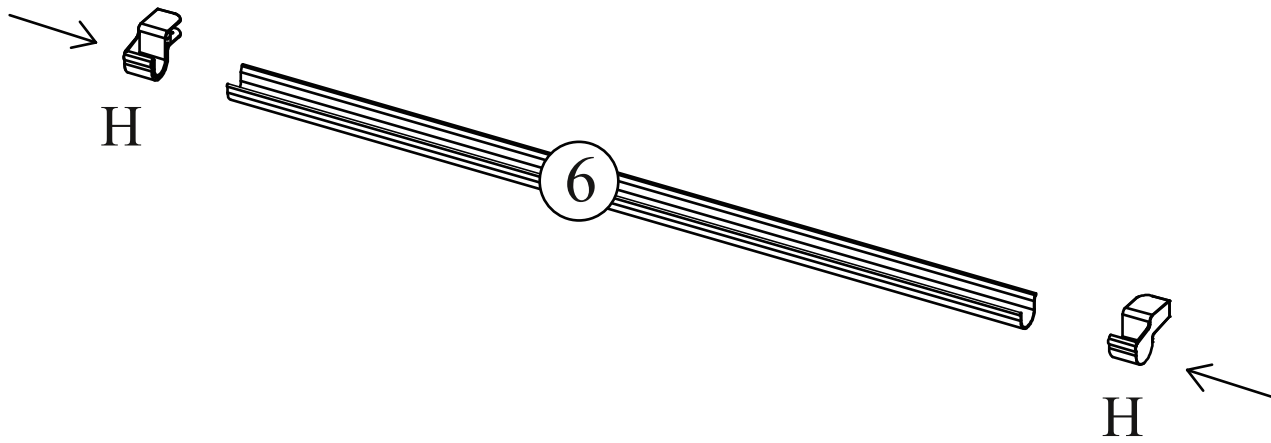
9



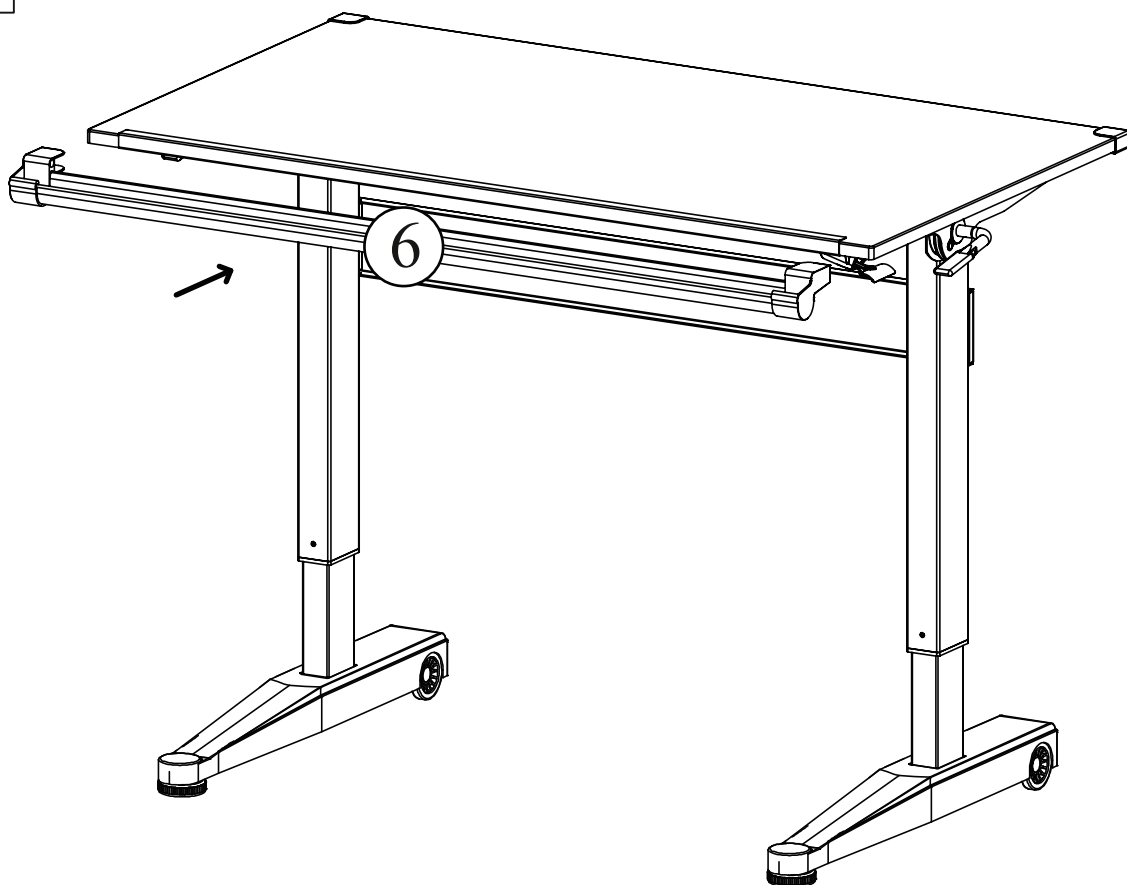
10



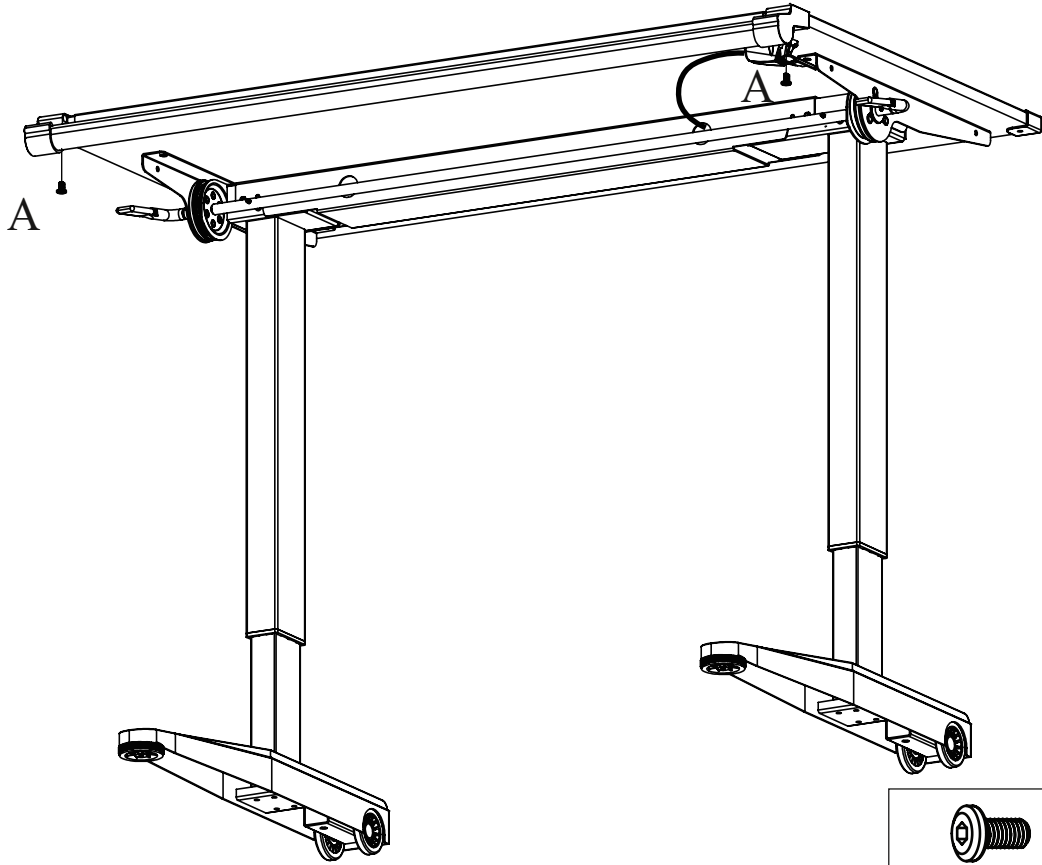
11



12



13

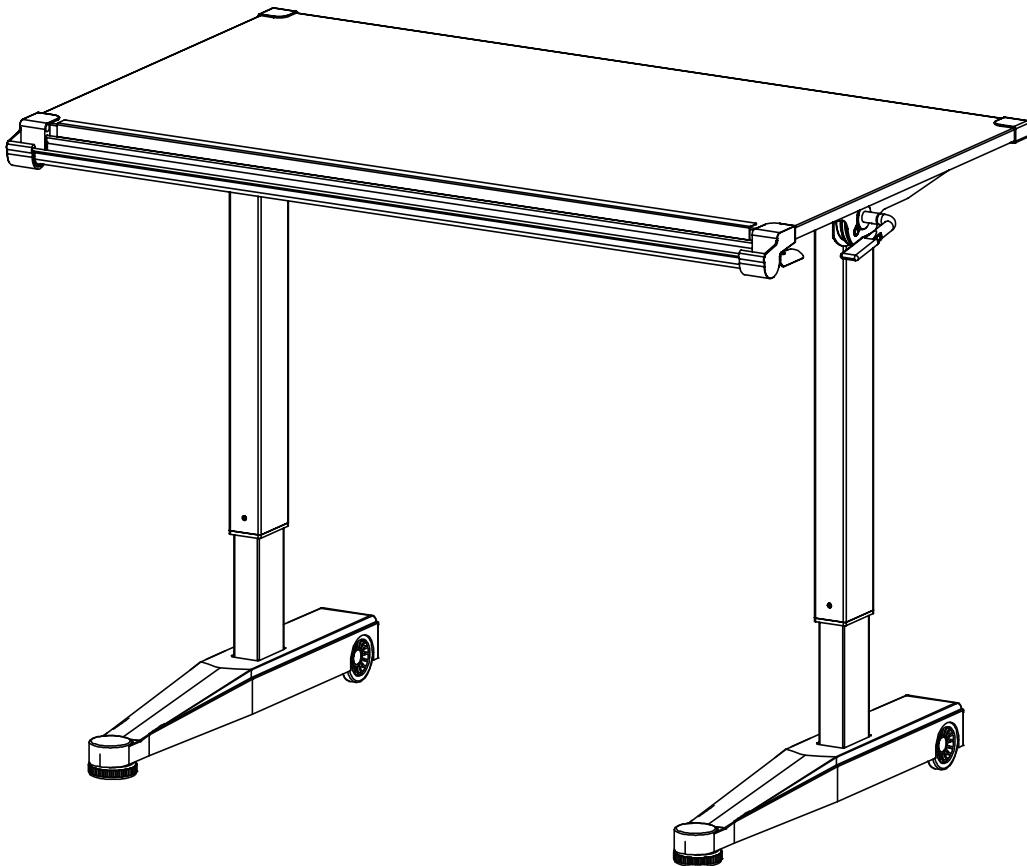


Ax2

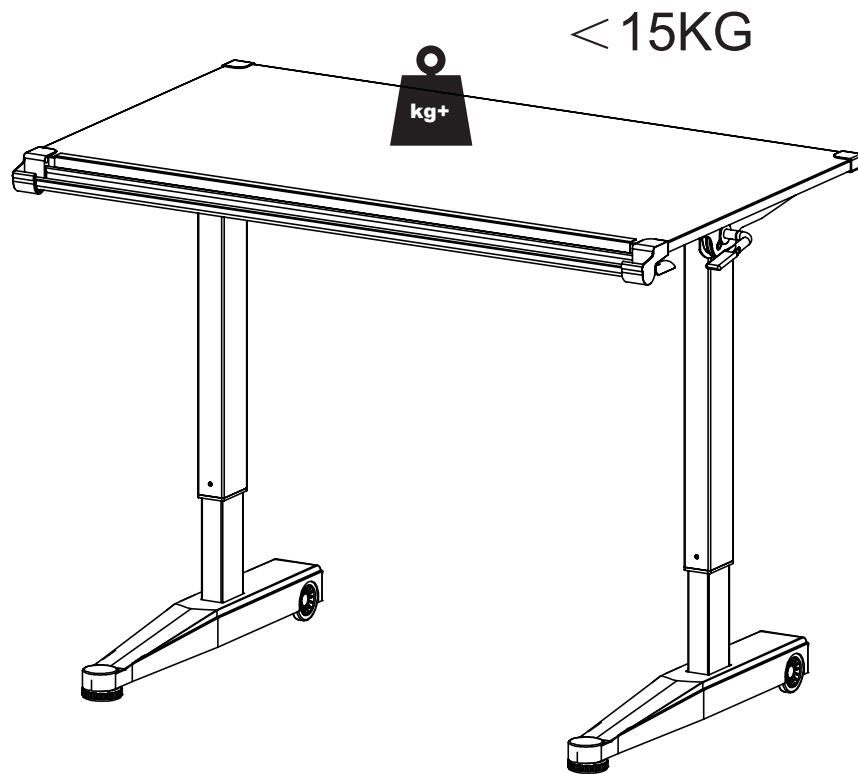


Fx1

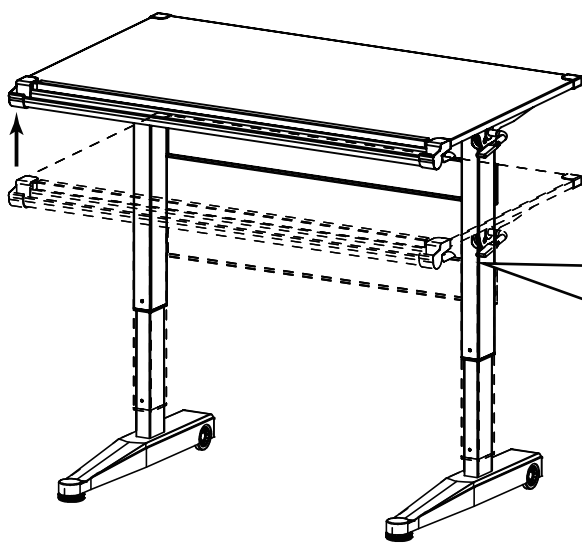
14



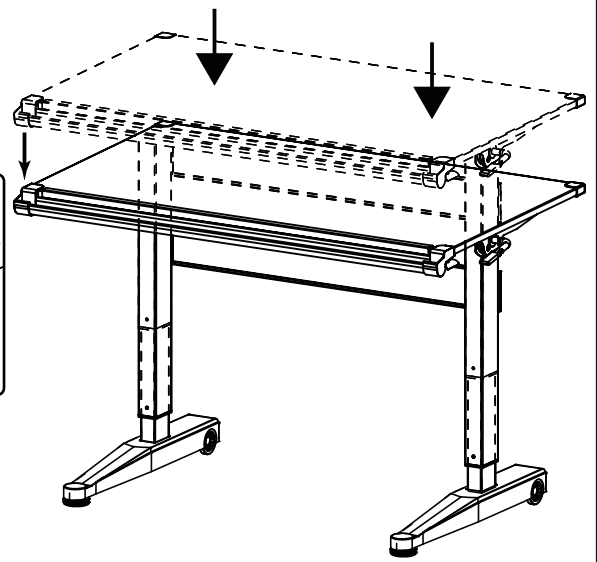
Operating Manual



Attention: it is recommended not to exceed a maximum of 15KG on desk top to allow for easy lifting.

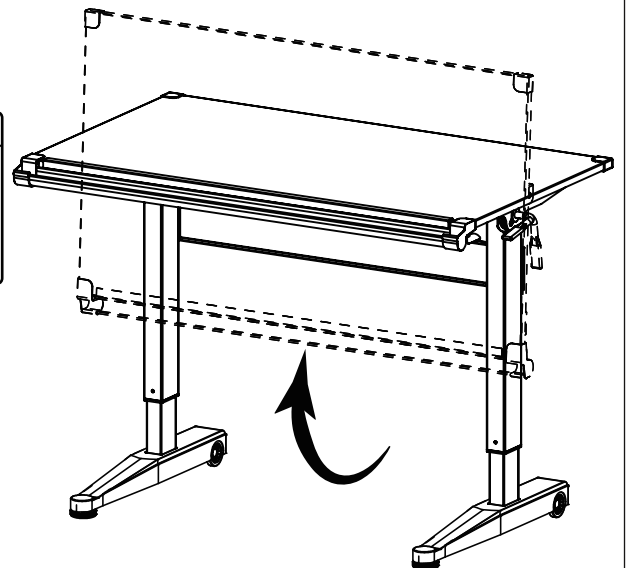
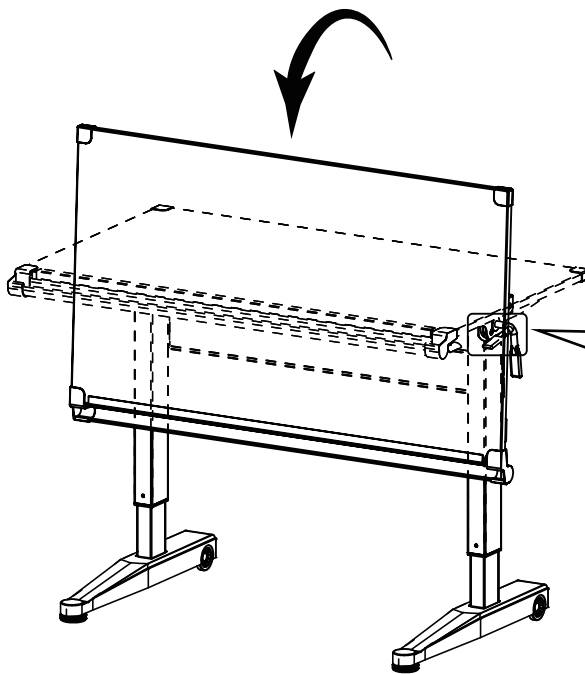


Lift the paddle for lifting the table top.



Lift the paddle and press the table top for downward operation.

Turn up the switch and turn up or down 90° for the table.



WARNING: The(There is a) danger of falling objects on this table by turning the table up or down, so before turning over, make sure that there are no objects on the table and hold the table with both hands , so children need to be equipped by consultant.