

IDEO CONTRACT

HIGH TABLE FRAME WITH STEEL LEGS



OVERVIEW

The IDEO High Contract table combines innovative design, style and versatility through the intersection of clean, simple lines. The steel legs and footrest intersect without screws, giving it an appealing elegant look, making it the perfect table for a variety of spaces.

Source your own top in a wide range of different materials, shapes and sizes.

FEATURES

- Steel Legs
- Steel Cross Bar
- Italian Designed & Manufactured
- Choose your own top
- 10 Year Warranty

FINISH OPTIONS

Steel Legs – Black

SPECIFICATIONS

Frame Dimensions (mm)

O/A Height (With 25mm Table Top): 1070~
O/A Height: 1045~
O/A Length: 650~
O/A Width: 650~
Top Frame Ø: 430~

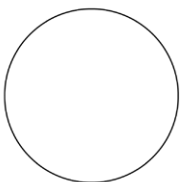
Packaging Dimensions (mm):

O/A Height: 1090~
O/A Length: 620~
O/A Width: 590~

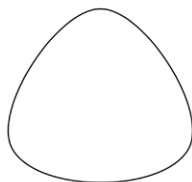


*Table top shown for demonstration only

TABLE TOP OPTIONS



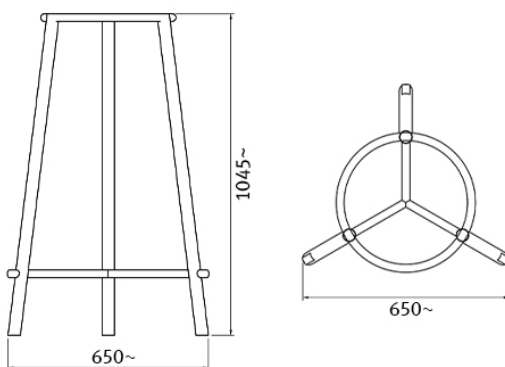
A



B

Diameter Options:
600 – 800mm~

FRAME DIMENSIONS (mm)



Please Note:

Measurements are related to the frame only (without table top) unless specified otherwise.
This product is shipped boxed & pre assembled.



Due to constant innovation, Advanta products may be subject to design and specification changes without notice. Copyright © Advanta 2022