

OLG

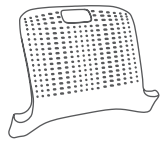


Adapta Chair

Assembly Instructions

Adapta Chair

Components List



Backrest

A



Armrests

B



Frame

C



4 x Castor

D



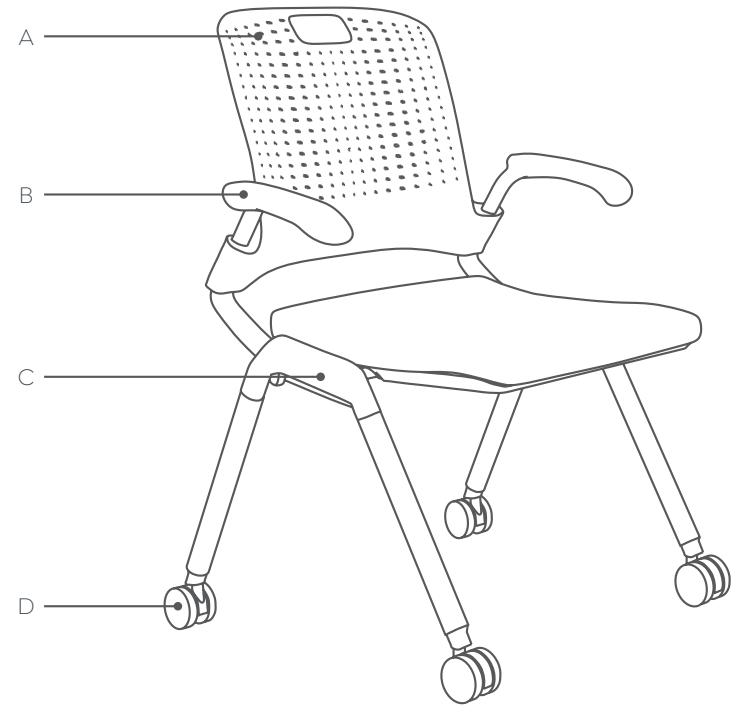
Rubber Mallet

1

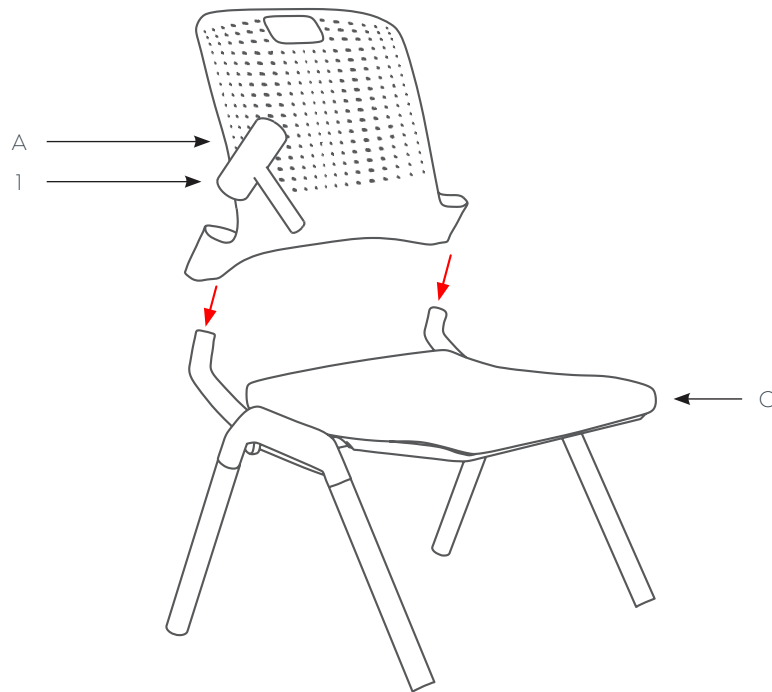


10 - M7 x 20mm

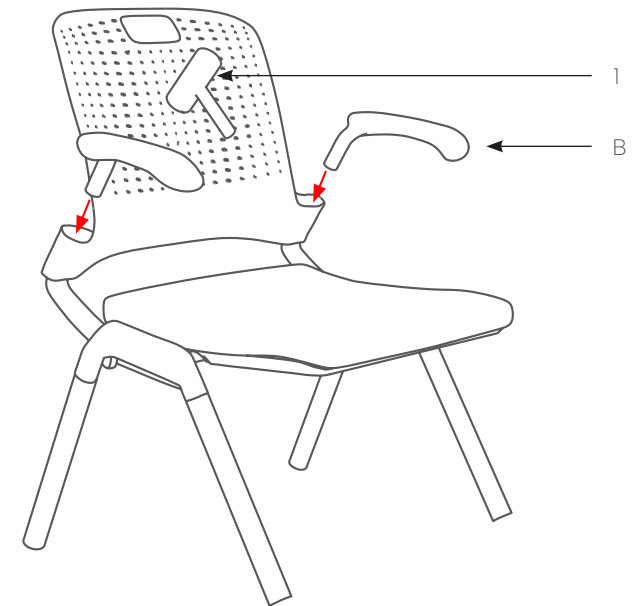
2



STEP 1:



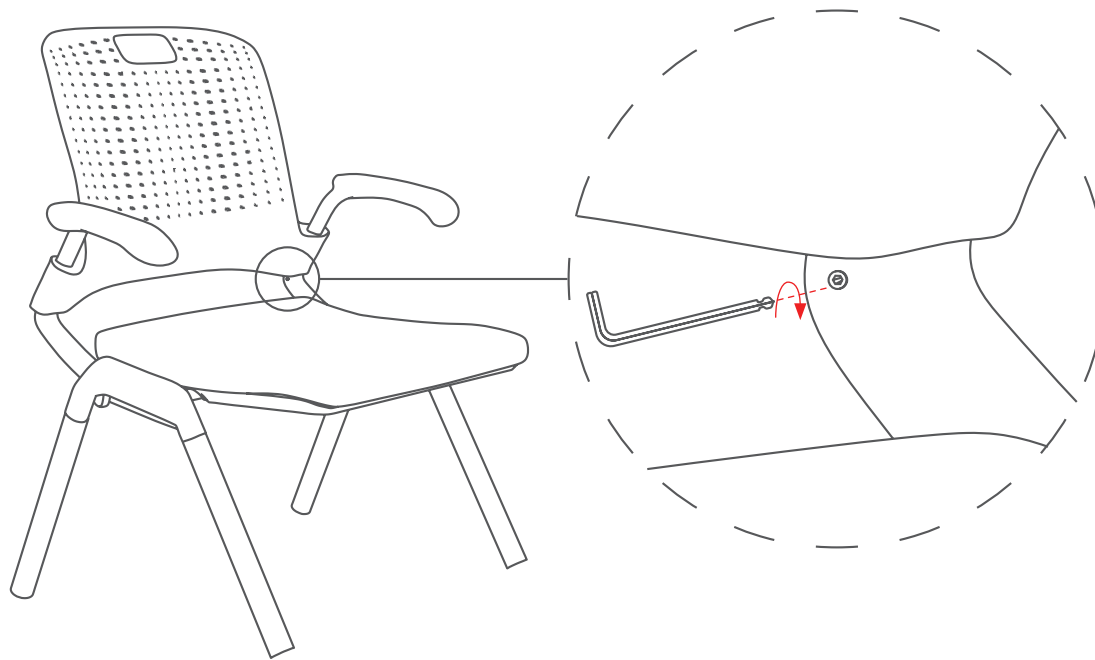
STEP 2:



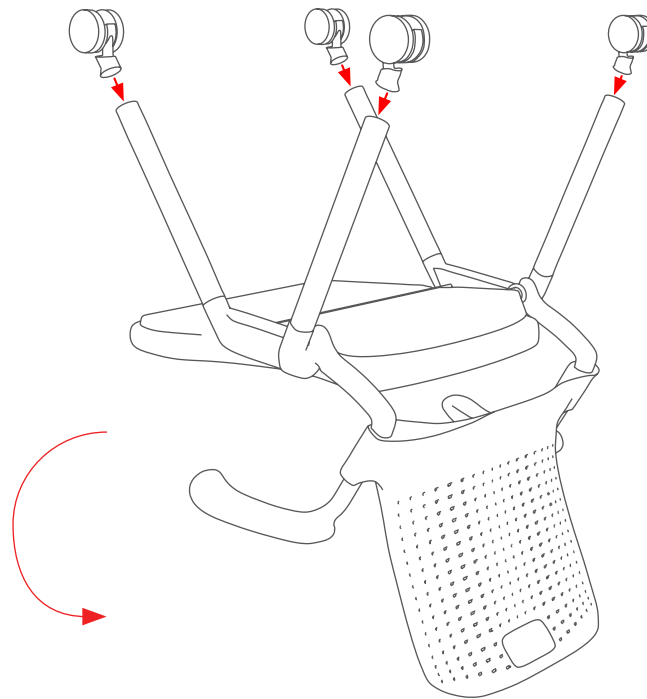
Adapta Chair

Assembly Instructions

STEP 3:



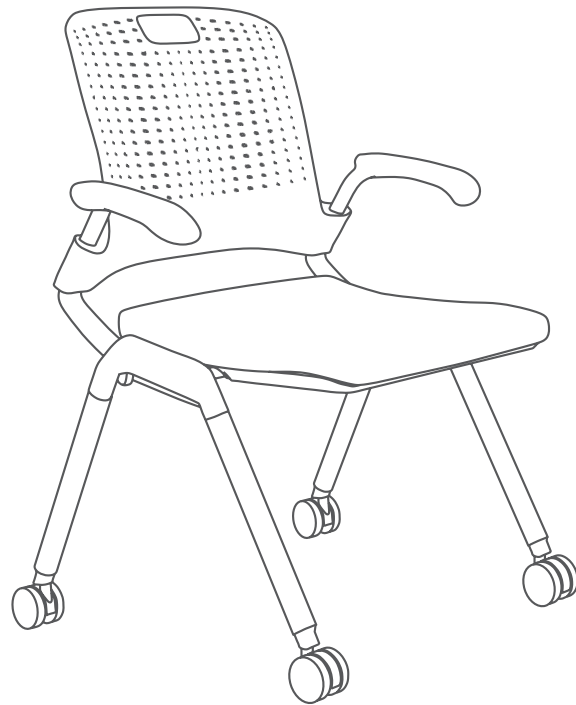
STEP 4:



Adapta Chair

Assembly Instructions

Complete:





Sydney 02 8188 2732

Melbourne 03 9111 0315

Brisbane 07 3733 1923

Adelaide 08 7111 0810

Perth 08 9468 2707

info@olgoffice.com

myolg.online | olgoffice.com | officedesigner.net | motionoffice.com