



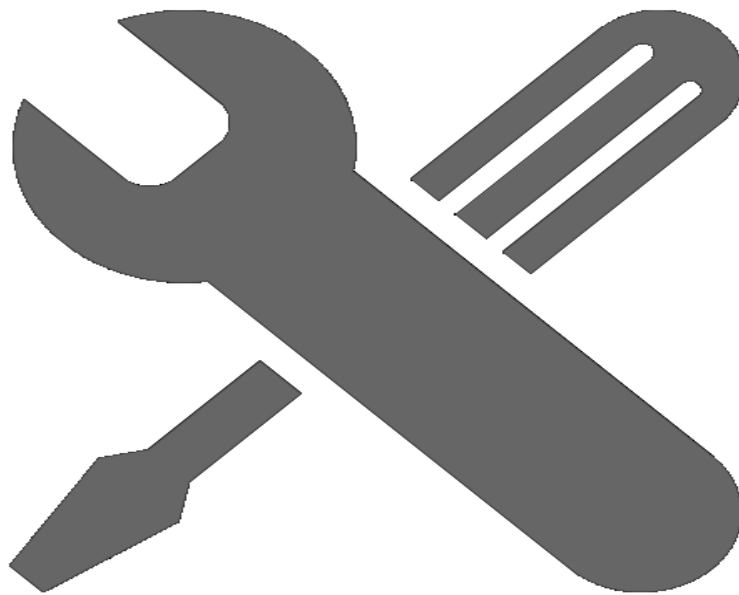
**7489.5370**

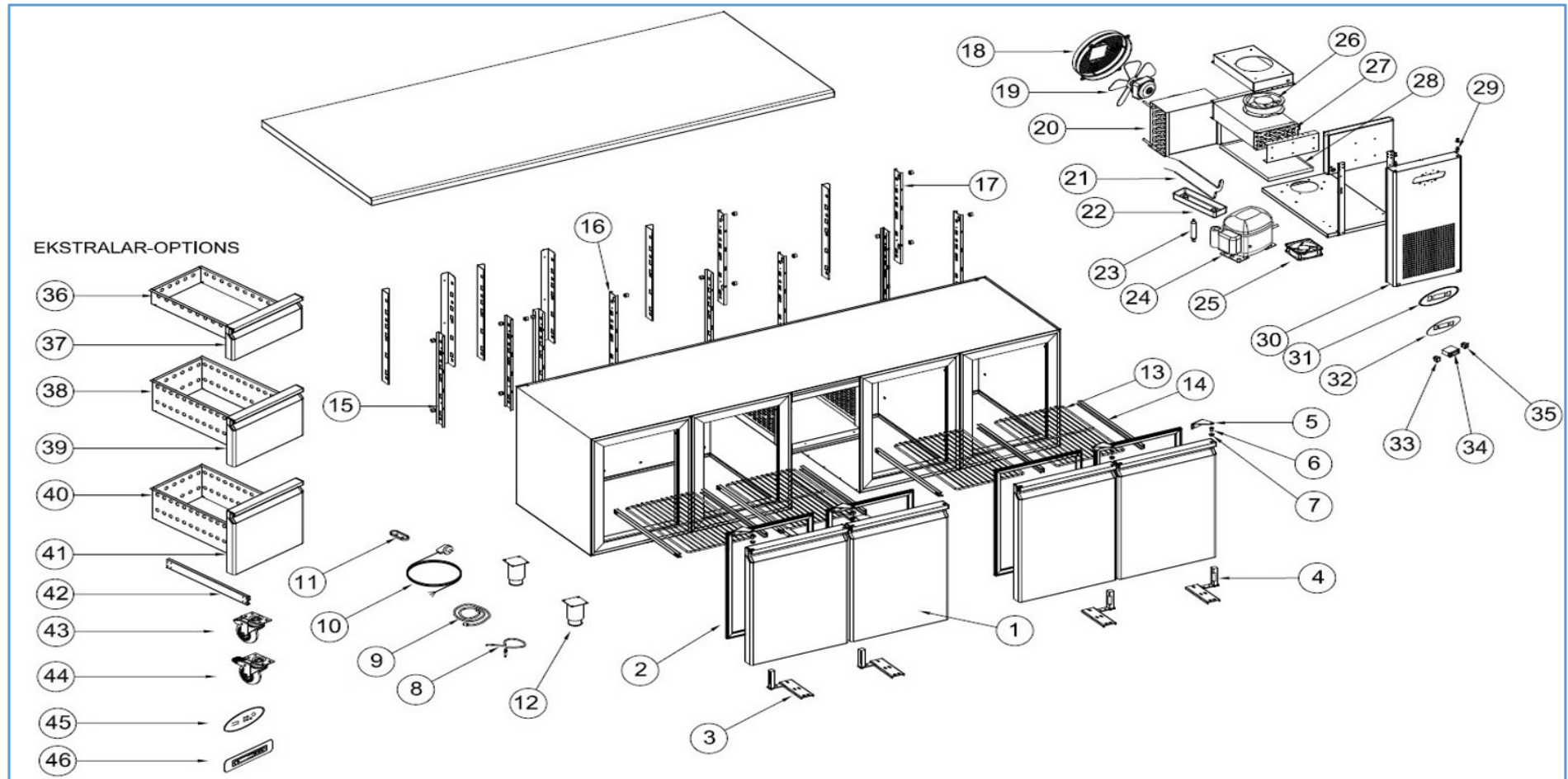
Onderdelen informatie

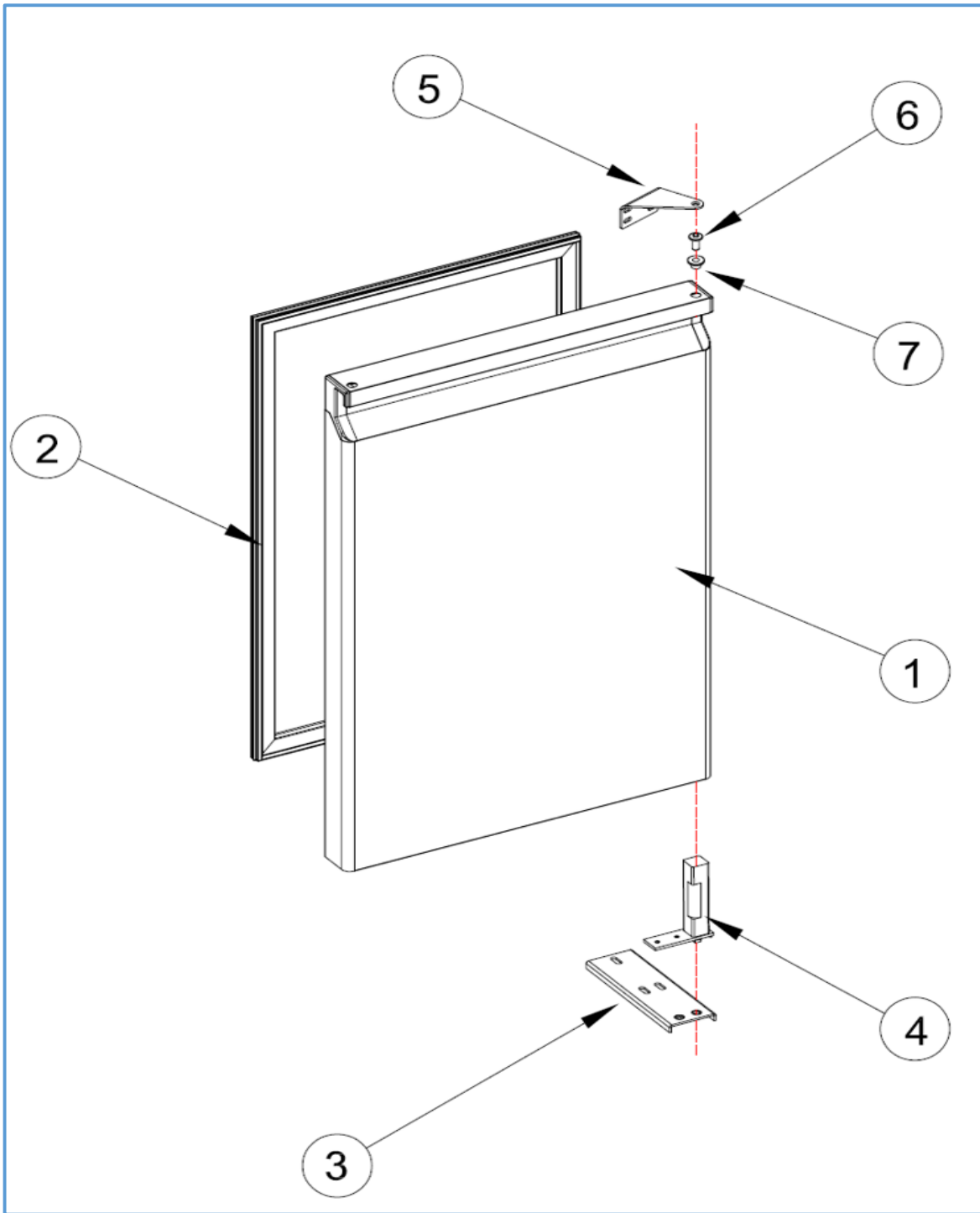
Erzatzteil information

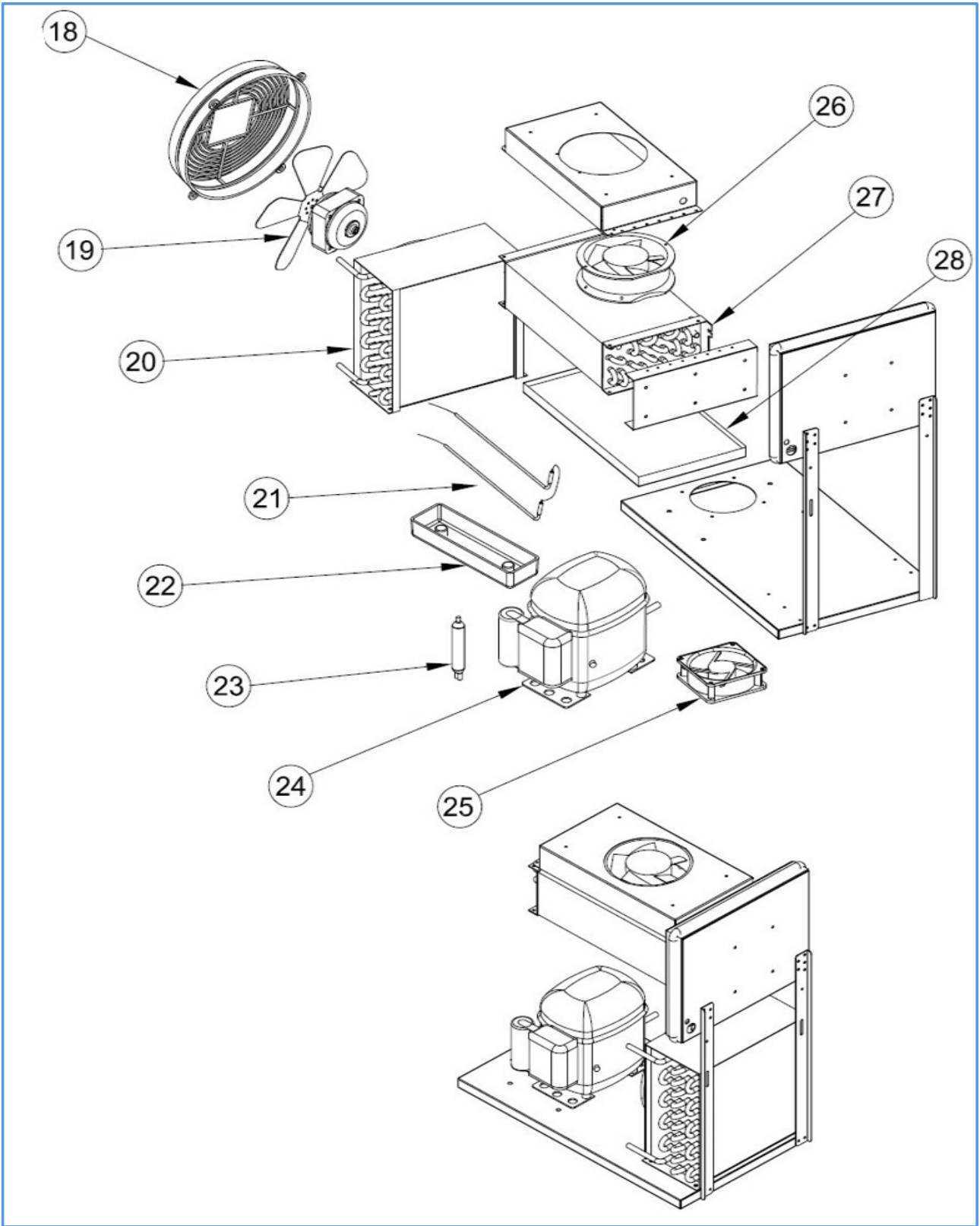
Spare part information

Information de pièces









## Onderdelenlijst 7489.5370

POS:	Art.No.:	Omschrijving:	Aantal:
1		DOOR	4
2	CS9113.0035	DOOR GASKET	4
3		LOVER HINGE BRACET	4
4	CS9113.1260	UPRIGHT HINGE AND PARTS	4
5	CS9113.1817	UPPER HINGE	4
6	CS9113.1815	UPPER HINGE PIM	4
7	CS9113.1820	HINGE PLASTIC	4
8	CS9181.2051	PROP	1
9	CS9390.2290	PROP	1
10		PLUG CABLE	1
11		PROP COVER	2
12	CS9113.0610	STAINLESS STEEL LEG	6
13	CS7489.0506	SHELF-CGN 530x333	4
14		SHELF-GUIDE-CGN 530m	8
15		SHELF RACKET- BACK	6
16		SHELF RACKET- SIDE	6
17		SHELF RACKET- MIDDLE	4
18	CS9113.0230	CONDANSER FAN PLASTIC	1
19	CS9113.0320	16-65 W-FAN MOTORU	1
20	CS9113.1805	VL7-K CONDANSER	1
21	CS9113.1045	200W RESISTANCE	1
22	CS9113.1080	WATER BOX	1
23	CS9113.2410	DRAYER	1
24	CS9113.0525	COMPRESSOR	1
25	CS9113.0300	SQUARE FAN	1
26	CS9113.0350	EVAP FAN MOTOR	1
27	CS9113.0270	EVAPORATOR	1
28		EVAPORATOR CUP	1
29		CANOPY PIM	1
30		CANOPY	1
31		PLASTIC COVER	1
32	CS9113.2300	DIGITAL LABEL	1
33	CS9113.0675	POWER SWITCH	1
34	CS9338.3550	DIGITAL THERMOSTAT TWO PROPE (EVCO)	1
35	CS9108.0254	ON-OF SWITCH	1
36		1/3 DRAWERS	12
37	CS9113.0030	1/3 DRAWERS GASKET	12
38	CS9113.2332	1/2 DRAWERS	8
39	CS9113.0040	1/2 DRAWERS GASKET	8
40		2/3 DRAWERS	4
41	CS9113.0050	2/3 DRAWERS GASKET	4
42	CS9113.0020	DRAWER RAIL	
43	CS9113.0615	WHEELS	3
44	CS9113.0620	WHEELS BRAKE	3
45	CS9113.0155	MOTHERBOARD	1
46	CS9993.8627	TOUCH CONTROL DIGITAL	1