



7455.2200

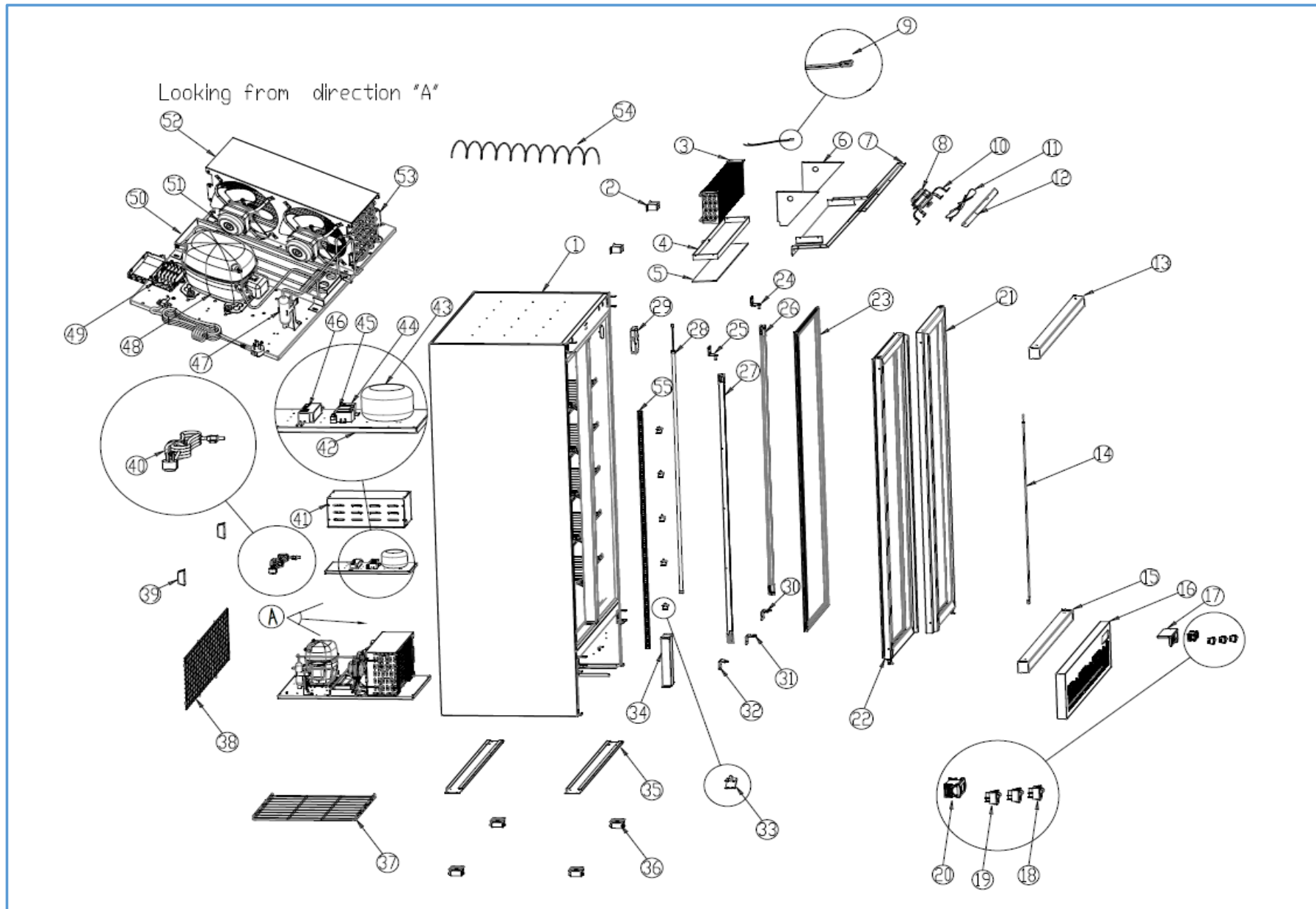
Onderdelen informatie

Erzatzteil information

Spare part information

Information de pièces





Onderdelenlijst 7455.2200

| POS: | Art.No.: | Omschrijving: | Aantal: |
|------|-----------|--|---------|
| 1 | | Insulate body | 1 |
| 2 | | Bracket | 2 |
| 3 | 9338.2266 | Evaporator | 1 |
| 4 | | Stainless steel water tray 1 | 1 |
| 5 | | PE adhesive | 1 |
| 6 | | Evaporator windshield 1 | 2 |
| 7 | | Welding part | 1 |
| 8 | 9390.1425 | Evaporator fan motor | 1 |
| 9 | | Thermostat probe | 1 |
| 10 | | Evaporator fan motor bracket | 12 |
| 11 | 9338.1885 | Evaporator fan blade | 3 |
| 12 | | Evaporator fan motor cover | 1 |
| 13 | | Upper Lintel | 1 |
| 14 | | Torsion spring | 2 |
| 15 | | Bottom Lintel | 1 |
| 16 | 9338.2390 | Front grill | 1 |
| 17 | | Switch Panel | 1 |
| 18 | 9030.0510 | Light Switch | 2 |
| 19 | 9030.0510 | On/Off switch | 1 |
| 20 | 9993.7072 | Digital controller | 1 |
| 21 | | Right door | 1 |
| 22 | | Left door | 1 |
| 23 | 9338.2306 | Door seal | 2 |
| 24 | 9338.2314 | Upper hinge (right door) | 1 |
| 25 | 9338.2310 | Upper hinge (left door) | 1 |
| 26 | 9338.2264 | LED light right | 1 |
| 27 | 9338.2260 | LED light left | 1 |
| 28 | 9338.2262 | Middle LED light T5 | 1 |
| 29 | | Beam cover | 1 |
| 30 | 9338.2316 | Bottom hinge(right door) | 1 |
| 31 | | Door support | 1 |
| 32 | 9338.2312 | Bottom hinge(left door) | 1 |
| 33 | 9338.1905 | K clip | 45 |
| 34 | | Rack support | 2 |
| 35 | | Castor plate | 2 |
| 36 | | 1" Heavy load casters | 4 |
| 37 | | Shelf | 10 |
| 38 | | Back mesh | 1 |
| 39 | | Back spacer | 2 |
| 40 | | Power cable | 1 |
| 41 | | Electrical shield | 1 |
| 42 | | Electrical fixture plate | 1 |
| 43 | | Transformer | 1 |
| 44 | | Relay (inside digital controller) | 1 |
| 45 | 9338.2286 | Digital controller transformer ((inside digital controlle | 1 |
| 46 | 9338.2308 | LED light driver | 1 |
| 47 | | Dry filter | 2 |

Onderdelenlijst 7455.2200

| POS: | Art.No.: | Omschrijving: | Aantal: |
|------|-----------|----------------------------|---------|
| 48 | 9338.2246 | Compressor | 1 |
| 49 | | Wire box set | 1 |
| 50 | | Stainless steel water tray | 1 |
| 51 | 9390.0130 | Condenser fan motor | 2 |
| 52 | | Condenser fan motor cover | 1 |
| 53 | 9338.2252 | Condenser | 1 |
| 54 | | Capillary | 0,077 |
| 55 | | K strip | 8 |