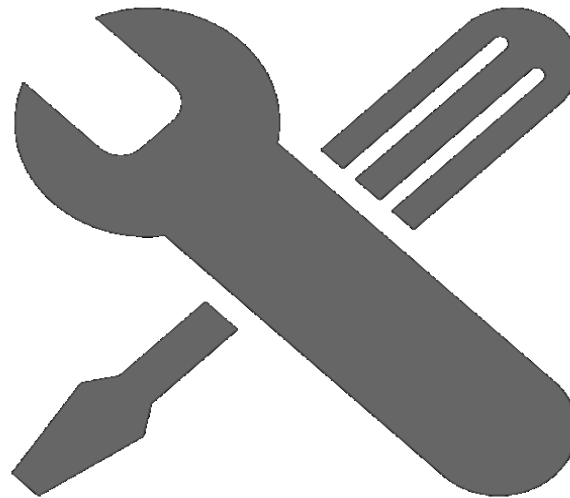




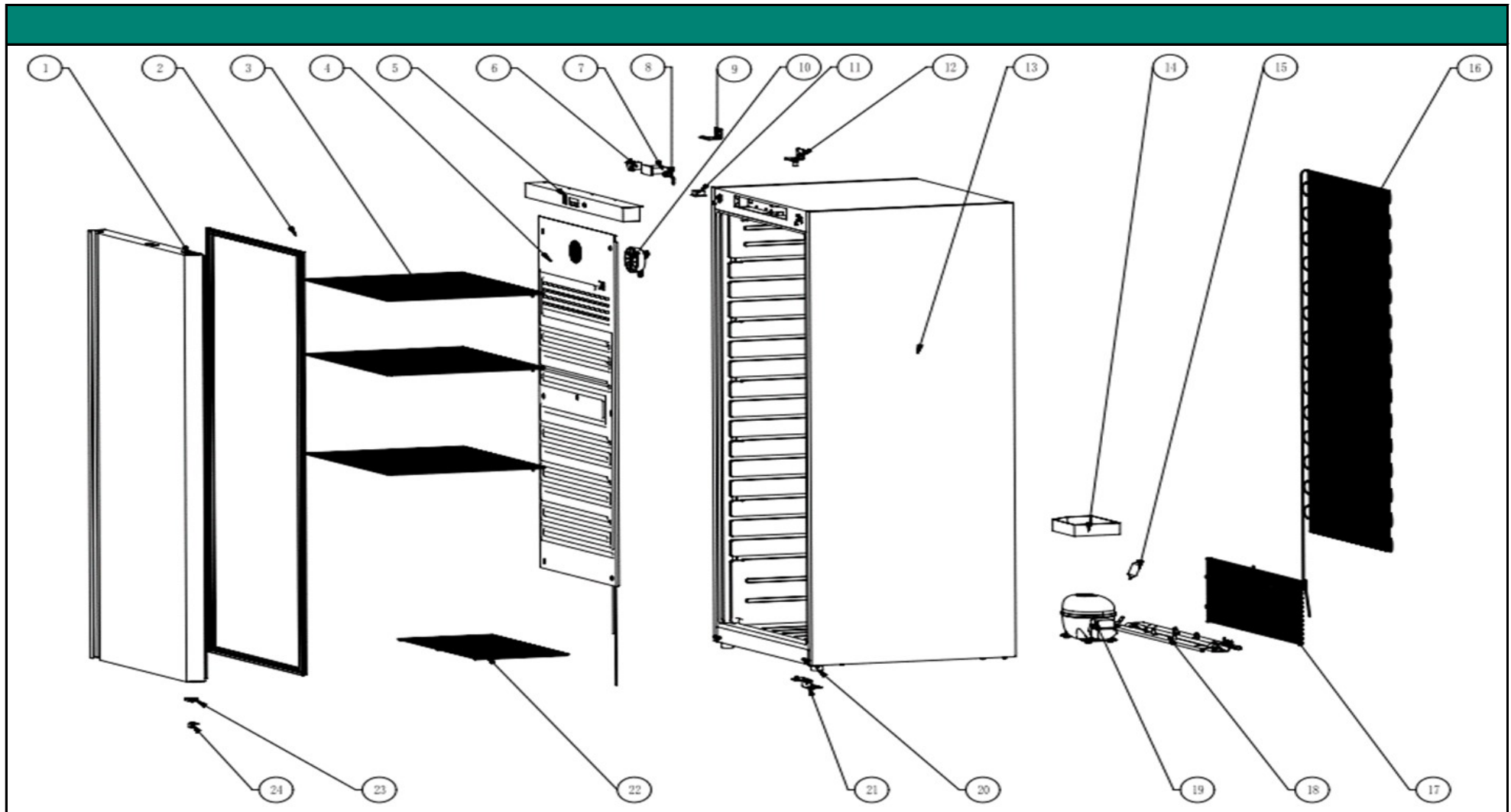
**7074.0080**

R290

Onderdelen informatie  
Erzatzteil information  
Spare part information  
Information de pièces







POS:	Art.No.:	Omschrijving:	Aantal:
1		Door	1
2	CS9338.4502	Gasket	1
3		SHELF	3
4		EVAPORATOR	1
5		FRONT PANEL	1
6	CS9344.0105	MAIN SWICH	1
7	CS9338.4504	CONTROLLER	1
8		LOCK	1
9	CS9338.4506	left top hinge	1
10		evaporator fan	1
11		fan switch	1
12	CS9338.4508	right top hinge	1
13		body	1

POS:	Art.No.:	Omschrijving:	Aantal:
14		water tray	1
15		Filter drier	1
16		condensor	1
17		back net	1
18		compressor broad	1
19		compressor unit	1
20		adjustable feet	2
21	CS9338.4510	bottom hinge	1
22		small shelf	1
23		door opening stop	1
24		door closing stop	1