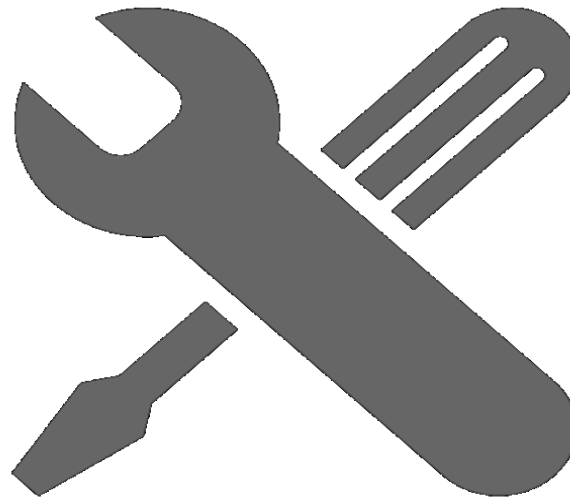




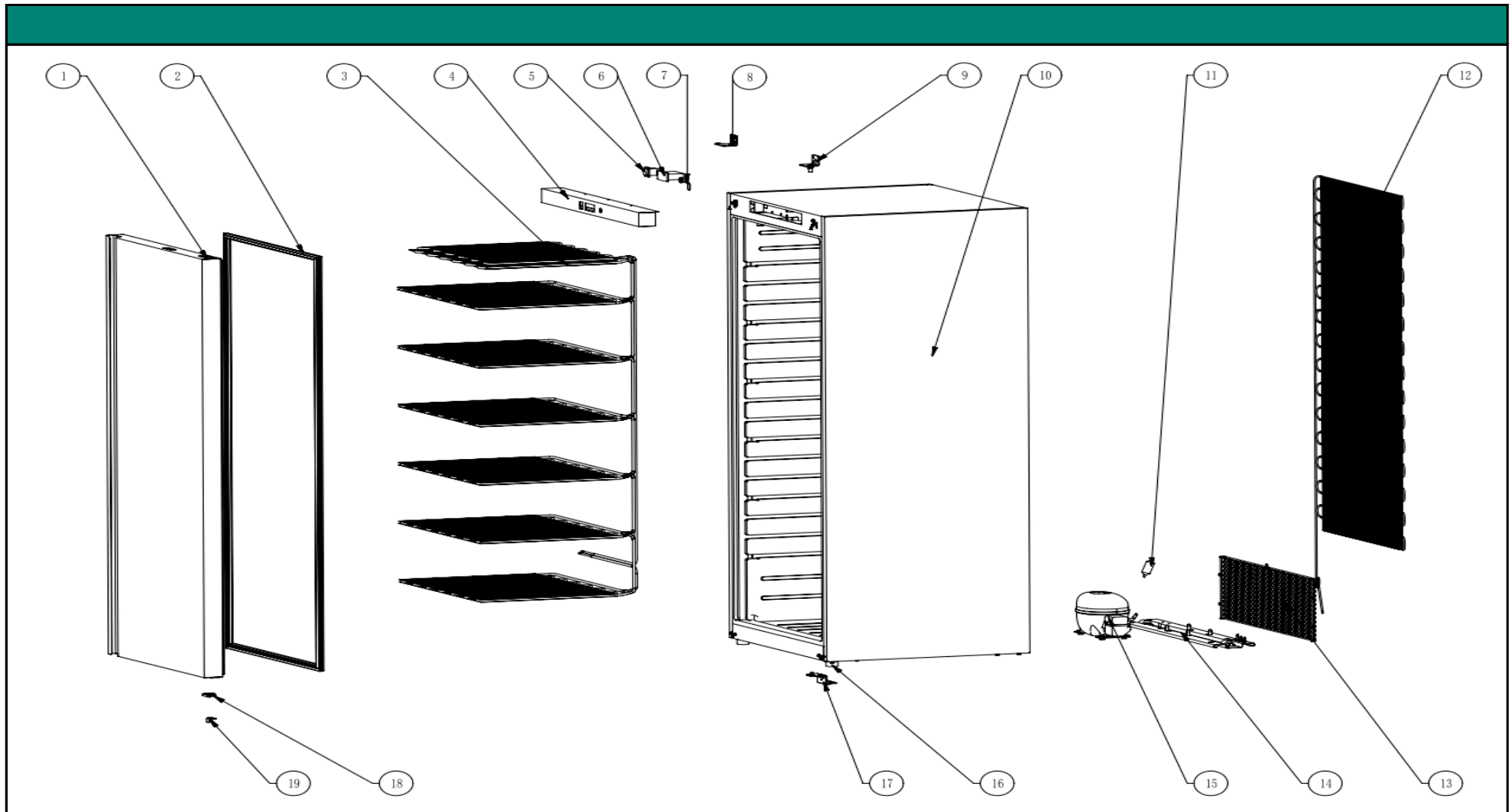
**7074.0050**

R290

Onderdelen informatie  
Erzatzteil information  
Spare part information  
Information de pièces







POS:	Art.No.:	Omschrijving:	Aantal:
1		Door	1
2	CS9338.4502	Gasket	1
3		Evaporator	1
4		Front panel	1
5	CS9344.0105	main swich	1
6	CS9338.4504	controller	1
7		lock	1
8	CS9338.4506	left top hinge	1
9	CS9338.4508	right top hinge	1
10		body	1
11		Filter drier	1
11		condensor	1
12		back net	1

POS:	Art.No.:	Omschrijving:	Aantal:
13		compressor board	1
14	CS9390.2884	compressor unit	1
15		adjustable feet	2
16	CS9338.4510	bottom hinge	1
17		door opening stop	1
18		door closing stop	1
A		Anti-vacuum valve	1