



**Glass Door Countertop Freezer For Ice Cream
7472.0200**

User Manual
Gebruikershandleiding
Gebrauchsanweisung
Le mode d'emploi



CONTENT

ENGLISH

1. INTRODUCTION	3
2. TRANSPORT	3
3. INSTALLATION OF THE APPLIANCE.....	3
4. ELECTRICAL CONNECTION	3
5. OPERATION	4
6. THERMOSTAT	4
7. THERMOMETER	4
8. LIGHT SWITCH.....	5
9. CLEANING OF THE FREEZER	5
10. CLEANING OF THE CONDENSER.....	5
11. SERVICE.....	5
12. ELECTRICAL CIRCUIT	7

1. INTRODUCTION

Proper installation and maintenance are essential for maximum satisfaction from your appliance. It is therefore necessary to carefully read and observe the indications of these instructions for use. The device contains little measure of coolant R290 (Propane), hydrocarbon which is friendly to the environment, but it is still flammable. During transfer and installation of the device every caution should be taken, in order to avoid any damage in any part of the refrigeration circuit.

With reference to avoid the creation of flammable mixture (R290 with air), in case of a leakage in the refrigeration circuit, the size of the room where the device will be settled should be defined by the amount of the coolant. The room must have the size of 1m³ for every 8 gr. of the coolant R290 inside the device. The measure of the coolant in the particular device it is shown on the tag with the serial number (SN) of the freezer in the rear of the appliance.

2. TRANSPORT (figure 1)

Always transport the appliance in vertical position, do not overturn it and do not load it in leaning position.

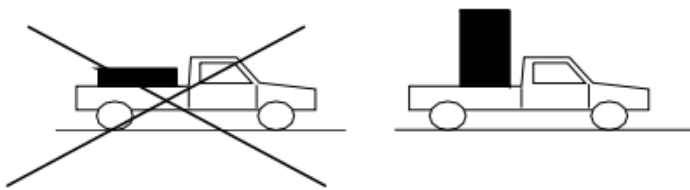


Figure 1

3. INSTALLATION OF THE APPLIANCE

- Remove the package.
- Be sure that your device is stable and in horizontal position.
- Perfectly level the appliance by adjusting the adjustable stands that are provided with the appliance.
- **Never install the refrigerator in a room exposed to direct sun radiation nor in the vicinity of a heat source such as cooker, a stove, a heater, a fireplace etc.**
- Avoid installing the appliance in confined rooms, damp, and without airing or in wall recesses.
- The clearance behind the appliance must be at least 10 cm distance from the wall or other voluminous objects. This clearance is the minimum required to ensure normal ventilation of the refrigeration mechanism.

4. ELECTRICAL CONNECTION

Make sure that the feed cable and the socket are appropriate for the appliance power. In case of doubt, contact a qualified technician. Before inserting the plug in the mains outlet, make sure the voltage mentioned on the nameplate outside the appliance to the right of the back side, compiles with the one of your network. A discrepancy of +/- 10% is acceptable. Too high or too low voltage network may seriously damage the compressor. Such damages are not covered by the guarantee. The appliance must be earthed as prescribed by the relevant legislation whereas it is indispensable for your personal safety. The manufacturer has provided for earthing in the electrical installation and external surface of the appliance.

NOTE: Upon start up, running may be noisy. Noise will only last for the engine “running in” time and will dim progressively.

5. OPERATION

Once the appliance is installed, wait for at least 30 minutes before start – up. Afterwards, insert the plug in the mains outlet.

The thermostat and the operation switch “I-0” are located behind the fitted metallic grill panel. In order to operate the appliance, the operation switch must be on position “I” and the thermostat should be switched on the appropriate setting (not on ‘0’, see figure 2).

Start up the appliance with no load and make sure the door is properly closed.

Wait for at least two hours so that the required temperature is achieved inside the freezer.

Store the products.

The compressor will not restart immediately, in case of starting up the appliance straight after terminating its operation – either via the thermostat or due to power failure –. This is normal. The compressor will automatically start soon after.

For your appliance’s protection, always wait for fifteen minutes before each restart.

After each opening the door, for a short while, you will notice some mist on the window. This is absolutely normal and the mist will disappear completely.

Do not use electrical devices inside the food storage area of the appliance.

WARNING: we remind you that your appliance is a preserver for frozen products. It has not been designed for the storage of products of ambient or higher temperature.

This appliance is not designed for use from people (including children) with decreased physical , aesthetic or intellectual abilities or with deficiency of experience and knowledge, unless they are under supervision or have been given instructions concerning the appliance use from the person responsible for their safety. The children have to be supervised in order to avoid playing with the device.

6. THERMOSTAT (Figure 2)

The thermostat, which is located behind the fitted grill panel automatically sets the temperature inside the appliance so that it varies from the minimum to the maximum value permitted by the chosen setting.

The thermostat position is set and checked by our company to ensure the optimum preservation temperature of products, such as ice-cream cakes, ice creams and etc.

The thermostat, depending on the ambient temperature and its design classification, is capable of maintaining the products to an average temperature from –18 to -23oC. Lower temperatures can be achieved inside the appliance when the thermostat adjustment switch is rotated clockwise from position 1 to position 7. When the thermostat is set to 0 (off) the appliance is switched off



Figure 2

7. THERMOMETER

The cylindrical thermometer, which is located on the upper front of the freezer, indicates the temperature inside the food compartment.

8. LIGHT SWITCH

The light switch, which is located right to the advertising sign placed at the top of the appliance, features two positions ON – OFF and controls the lighting of the advertising sign placed at the top of the appliance (Figure 3).



Figure 3

9. CLEANING OF THE FREEZER

For the purpose of cleaning the freezer interior, DO NOT use sharp objects or chemicals in order to accelerate the process of defrosting. Follow the instruction that is recommended by the manufacturer, i.e. the use of lather in lukewarm water.

10. CLEANING OF THE CONDENSER (figure 4)

For proper operation of the appliance, the condenser must be free of dust. Clean the condenser at least once in three months, as follows:

- Unplug the appliance.
- Remove the grill panel from the back side of the appliance .
- Clean the condenser by using a soft brush or a vacuum cleaner.
- Replace the grill panel back on the holding screws.
- Insert the plug and switch on the appliance.

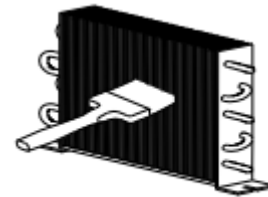


Figure 4

11. SERVICE

A) If the appliance does not work satisfactory or at all, check as follows:

- The temperature inside the appliance is not cool enough, check whether:
 - The appliance is in the vicinity of a heat source and thus should be moved.
 - The condenser is covered with dust and dirt and should be cleaned.
 - The thermostat is on a lower setting (i.e. position '1' or '2') and not on the recommended one (i.e. half-way, position 4).
 - The door of the appliance is properly closed.
- Although connected, the appliance does not work, check whether:
 - There is power in the socket and the plug is properly inserted in the socket.
 - There is power supply network failure.
 - The power control fuse to your appliance has been destroyed.
 - Your appliance's power cable is damaged.
- Your appliance emits a metal noise, check whether:
 - There is contact between your appliance and other metallic objects.
 - The appliance is properly levelled with the floor.

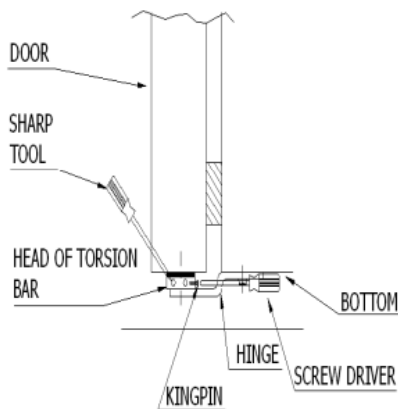
B) If you want to replace the LED light or the advertising sign on the upper part of your appliance do that as follows: (Figure 5):

- Unplug the appliance.
- Unscrew the 2 screws located on the side part of the advertising sign, put off the plastic side-cover, squeeze and pull the sign slightly outwards. In order to do this you have to push the electrical thermometer from the inside, and put it off the sign. The sign could then be pulled outwards.
- Replace the LED light and repeat the steps in the inverse order so that your appliance gets back in operation.



Figure 5

C) If the door does not close satisfactory (does not revert or does not secure properly) you may proceed as follows:



- Place a sharp object - such as a small screw driver, stabber, nail etc - in one of the holes which are located at the bottom of the torsion bar, which is located on the down side of the door above the bottom hinge.

- **By applying resistance with the stabber**, unscrew with the screwdriver the kingpin which is screwed on the top of the torsion bar (figure 6). **ATTENTION, HOLD THE SHARP OBJECT STEADY TO AVOID AN INJURY BECAUSE THE SPRING IS UNDER TENSION.**

- By using a sharp object, turn the top of the torsion bar anticlockwise until you are able to screw promptly the kingpin in the next hole. After you screw the kingpin remove the sharp object.

- Examine if the door secures satisfactorily following the above mentioned procedure. If not, repeat the above mentioned steps.

Figure 6

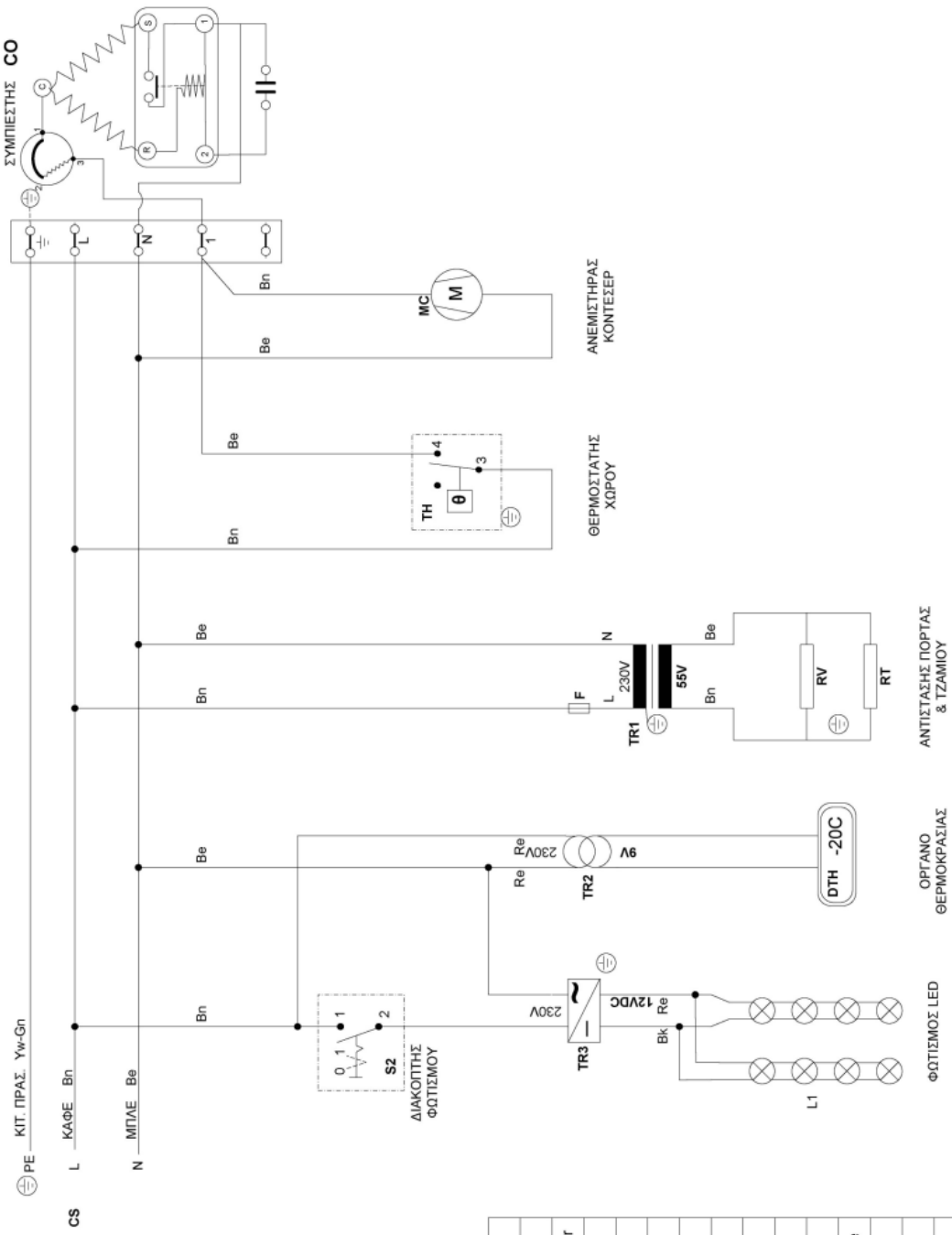
D) If the feed cable is damaged, it must be replaced by the manufacturer or a qualified person from the service department, or by similarly specialized personnel, in order to avoid danger.

E) Do not cause any damage to the cooling circuit by the intervention of unauthorized personnel. Advise the manufacturer and assign such works only to specialized technicians.

NOTE: Our Company has an organized network of qualified technicians throughout Greece. For any maintenance or operation problem, contact your retailer.

Keep this booklet as well as all documents provided with your appliance and read the guarantee terms carefully.

12. ELECTRICAL CIRCUIT



ΤΥΠΟΣ ΚΑΛΩΔΙΩΝ CABLE'S TYPE	
L	ΦΑΣΗ Line
N	ΟΥΔΕΤΕΡΟΣ Neutro
PE	ΓΕΙΩΣΗ Grounding

ΧΡΩΜΑ ΚΑΛΩΔΙΩΝ CABLE'S COLOUR	
Bk	ΜΑΥΡΟ Black
Bn	ΚΑΦΕ Brown
Be	ΜΠΛΕ Blue
Gr	ΓΚΡΙ Gray
Re	ΚΟΚΚΙΝΟ Red
Yw-Gn	ΚΙΤΡΙΝΟ ΠΡΑΣΙΝΟ Yellow Green

CS	ΚΑΛΩΔΙΟ ΤΡΟΦΟΔΟΣΙΑΣ	Supply cable
CO	ΣΥΜΠΙΕΣΤΗΣ	Compressor
MC	ΑΝΕΜΙΣΤΗΡΑΣ ΚΟΝΤΕΞΕΡ	Condenser Fan motor
TH	ΘΕΡΜΟΣΤΑΤΗΣ	Thermostat
S2	ΔΙΑΚΟΠΤΗΣ ΦΩΤΙΣΜΟΥ	Light switch
TR1	ΜΕΤΑΣΧΗΜΑΤΙΣΤΗΣ ΠΟΡΤΑΣ	Door transformer
TR2	ΜΕΤΗΣ ΟΡΓΑΝΟΥ ΘΕΡΜΟΚΡΑΣΙΑΣ	Transformer temperature
TR3	ΤΡΟΦΟΔΟΤΙΚΟ LED 12VDC	DC Power supply
RT	ΑΝΤΙΣΤΑΣΗ ΦΡΕΙΜ ΠΟΡΤΑΣ	Frame door resistor
RG	ΑΝΤΙΣΤΑΣΕΙΣ ΤΖΑΜΙΟΥ	Glass resistor illuminated canopy
L1	ΜΕΤΩΠΗ ΔΙΑΦΗΜΙΣΗΣ	
DTH	ΨΗΦΙΑΚΟ ΟΡΓΑΝΟ ΘΕΡΜΟΚΡΑΣΙΑΣ ΑΣΦΑΛΕΙΑ	Digital temperature
F	ΜΕΤΑΣΧΗΜΑΤΙΣΤΗ	Fuse transformer