

# ICE CREAM DISPLAYS

## Models

SYD 310 MA DC-R

SYD 410 MA DC-R

SYD 510 MA DC-R



## USER'S MANUAL



## **Dear Customer,**

Thank you for choosing products. We aim to allow you to optimally and efficiently use this environment-friendly product produced in our modern facilities under precise conditions with respect to sense of quality in total.

We advise you to read these operating manual thoroughly before using the cooler and keep it permanently so that the features of the cooler you have purchased will stay the same as the first day for a long time and serve in an optimum efficient way.

### **NOTE:**

This Operating Manual is prepared for multiple models. Your appliance may not feature some functions specified in the manual. These functions are marked by the sign \*. Your product must be installed and introduced by authorized service.

Our appliances are intended for commercial use.

"PLEASE READ THE MANUAL BEFORE INSTALLING  
OR USING THIS PRODUCT."

This product has been produced in modern environment-friendly facilities without adversely affecting nature.

**"Complies with AEEE Regulations"**



# CONTENT

## 1. SECTION

Safety Warnings..... 4

## 2. SECTION

Overview and Technical Specifications..... 9

Technical Table..... 10

## 3. SECTION

Installation and Initial Operation..... 11

Glass Mounting Instructions..... 13

Castor Mounting Instructions..... 14

Service Mounting Instructions..... 16

## 4. SECTION

Installation..... 24

Thermostat Setting..... 26

## 5. SECTION

Cleaning, Maintenance and Transportation of Your Cooler... 27

What To Do Before Calling For Authorized Service..... 30

## 6. SECTION

Compliance With AEEE Regulations and Waste Disposal  
and Packaging Information..... 31



## **SAFETY WARNINGS**

**1.** Your appliance is set for 220-240 V 50 Hz mains power. Use of incompatible voltage may cause your appliance to become inoperable or a fire.

**2.** Your appliance is designed and manufactured only to preserve frozen packaged foods in applicable temperature. Do not place consumables such as beverages for cooling. Please do not use other than as indicated.

**3.** Electrical installation shall conform with the legal regulations.


**4.** Do not place the your appliance under direct sunlight or within influence area of an air conditioner, stove, radiator, furnace, oven, heater or infra-red heater. Otherwise, the cooler may perform poorly, get damaged or become inoperable.

**5.** Choose a place without moisture but with air circulation allowed.

**6.** Clean inside of your product prior to first use.

**7.** Do not allow children to get into the product or play around it.

**8.** If your appliance has a cover lock, keep its key in a safe place. By the end-of-life of the appliance, deactivate the cover lock of your cooler before disposing it. Do remember not to leave children in the cooler. Staying in the cooler may be lethal.



**9.** For your safety, in order to eliminate the risk of electric shock and fire there must certainly be a breaker system with a residual current device in your electrical wiring. Our firm is not responsible for failures and losses which might occur as a result of using the product in an ungrounded network.

**10.** Do not place explosive or flammable material in your appliance. Do not store explosive materials such as aerosol cans with flammable propellants inside this appliance.


**11.** Do not use any sharp, pointed objects to scrape the icing that may occur on the inner surfaces of your appliance. Only use the ice scraper that is provided with your appliance. Otherwise you can damage the cooling surface of your appliance. Also, this improper operation may cause gas leak and render your appliance inoperable.

**12.** After putting your appliance into place, allow at least 2 hours without moving it before starting to use.

**13.** Your appliance is designed for indoor use. Do not use your product outdoors.

**14.** Installation, placement, maintenance and cleaning of your appliance shall be performed as prescribed in the manual. In case of damage to your appliance due to misuse, the warranty of the product shall be invalid.

**15.** Avoid any sharp and pointed object or overheated material from contacting with glass surface



of glass-cover products as this may cause the glass to crack or break.

**16.** In case of any failure within your product, taking measures for food preserved within the deep freeze is fully under responsibility of the user. Our company is not responsible for spoiled food due to any technical failure or misuse.

**17.** Never use an extension cord or multi-plug with your appliance.

**18.** Never use pressured water to clean. Pressured water may damage live-current parts.


**19.** Place the packaging material of the appliance where children cannot reach. Some packaging material (such as nylon, styrofoam, etc.) may be dangerous for children.

**20.** The appliance should not be used by physically, visually, audibly or mentally handicapped ones, children, non-experienced or non-informed ones without surveillance of a person responsible for the safety of such people.

**21.** Open the container lid only when necessary. Please make sure that the lid is sealed properly when it is not.

**22.** In the event of a sudden power outage unplug your product. Plug back in 20 minutes after you make sure that the mains become normal.

**23.** Do not put domestic and wild animals inside your product and do not allow them to enter into



your product. These kind of living creatures might damage the electrical system and cause fire.

**24.** Frost shall be increased for products, of which the doors are kept open or frequently open and closed, and the appliance shall have difficulty in performing the cooling operation. Thus, open the door of your product when it is required only. Ensure that the door of your product is closed when you do not require.

**25.** Do not unplug your product for saving power if you shall not use your product or keep it empty for a short period. Otherwise, more power shall be used for cooling your product again. Just bring the thermostat position to a lower setting.

**26.** Follow the instructions specified in this manual for replacement of lamps. The rating of the lamp to be replaced is specified on the identification plate of the appliance and on the plate under the lamp. (\*)

**27.** Do not intervene the appliance directly in case of a fault that occurs due to the electrical system of the appliance or of the installation where the appliance is connected. Unplug the appliance and disconnect the power of the device by turning the main switch off and contact nearest authorized service.

**28.** If the power supply cable is damaged, it must be replaced by its manufacturer or authorized technical service or any other personnel qualified at the same level, in order to avoid any dangerous situation.

**29.** If not be used for a long time, the glass covers should be removed.



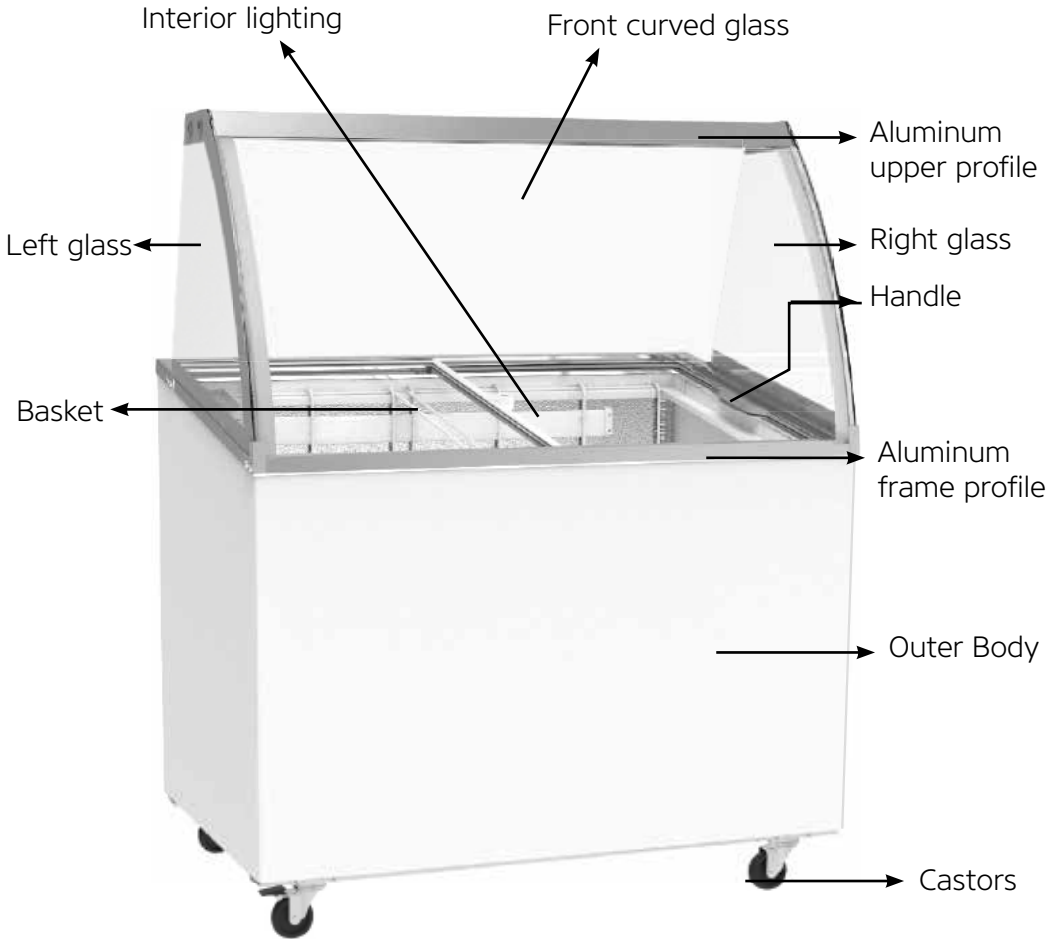
**Attention!**

- **This appliance includes inflammable and explosive gas R600a, R290.**
- **The ventilation holes on the casing or the body of the appliance shall be kept open to prevent blocking**
- **Do not use mechanical tools or other mechanisms except the ones recommended by the manufacturer to make defrosting quicker.**
- **The cooling circuit shall not be damaged.**
- **Except materials recommended by the manufacturer, no electric appliances should be used within food storage compartment of the appliance.**
- **In order to decrease the risk of ignition, this appliance shall only be installed and maintained by services.**



## 2. SECTION

### OVERVIEW AND TECHNICAL SPECIFICATIONS



Model	SYD 310 MA DC-R	SYD 410 MA DC-R	SYD 510 MA DC-R
Product Category	COMMERCIAL DISPLAY CABINET	COMMERCIAL DISPLAY CABINET	COMMERCIAL DISPLAY CABINET
Coolant	R290	R290	R290
Total Gross Volume (lt)	278	371	432
Total Net Volume (lt)	210	283	330
Climate Class	7/BC1 (35C/75% Rh)	7/BC1 (35C/75% Rh)	7/BC1 (35C/75% Rh)
Noise Level (dB(A))	45	45	45
Height (Castor + Service Glass) (mm)	1315	1315	1315
Width (mm)	1043	1318	1494
Depth (mm)	659	659	659
Net Weight (kg)	55	65	75
Electric Input (V/Hz)	220-240	220-240	220-240
Total Power (W)	240	350	420

### 3. SECTION

## INSTALLATION AND INITIAL OPERATION

### Selection of Installation Places

Operating environment of the product is very important to ensure that your product operates without any problem. When you are selecting the operating environment,

- Do not place your product outdoors so that it shall be exposed to weather conditions. (on a street, lane, etc.)
- Do not place materials such as cardboards, boxes, etc. in front of the lower blinds to ensure proper cooling of your product.
- Place it at least one (1) meter away from heat sources. (stove, radiator, electrical heater, etc.) (Figure 1)
- Do not expose to direct sunlight. Operation rate of your appliance will be increased if sunlight hits the glass of your cooler. And this causes an increase in the temperature of the products inside the appliance and the power consumption shall be increased. (Figure 2)
- Do not place it against A/C exhausts, under the fans and directly in the door and window openings. (Figure 3)
- Air entrance and exit shall always be free and easy for proper operation of the compressor section of your appliance.
- Make sure that there is a clearance of 150 mm (15 cm) between the wall and the rear side of your cooler when you are bringing the product close to the wall.

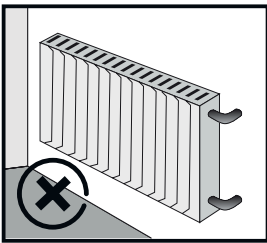


Fig. 1

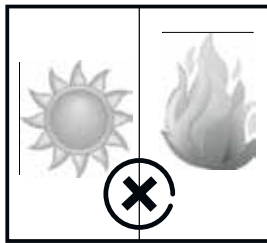


Fig. 2

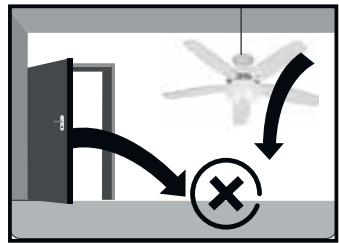


Fig. 3



The voltage and frequency of mains power should be the same as the values specified on the label behind your appliance. If mains power is far below or above the specified values, have the desired voltage by using a voltage regulator. You can get help from a qualified electrician. The fuse of the mains socket should be maximum 16A.

## **ATTENTION!**

On installations performed by the authorized service, customer shall be informed and advised about the proper installation location, however final decision on the installation location shall be made by the customer.

Authorized Service specify the process mentioned above on the relevant installation service form. Customer shall be solely responsible for any damages that may occur due to the installation location decided as per the final decision of the customer.

## GLASS MOUNTING INSTRUCTIONS



Fig. 1

Place your appliance on a flat, level ground.



Front view of the flat cooler



Front view of the inclined cooler



+

Fig. 2

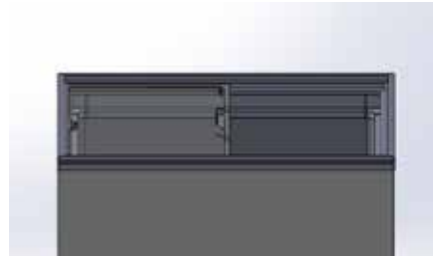


Fig. 3

Mount your glass by placing it on the mounting rack below by placing one side, then placing on the other side and fix it as shown in Figure 2.

Then place the glass stopper on the left side of the lower canal with the tabs in the back.

Slide the glass on the bottom channel to the left (Figure 3). Do the same with the channel gap in the right side so that the tabs of the glass stopper pass through the channel. Do the same by repeating the same process when installing the upper glass.

**NOTE:** Glass stoppers shall be installed to the profile duct on the front side of the cabinet for flat cabinet, and to the profile duct on the rear side of the cabinet for slanted cabinet.

## CASTOR MOUNTING INSTRUCTIONS

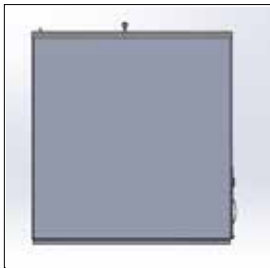


Fig. 1

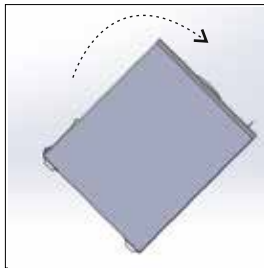


Fig. 2

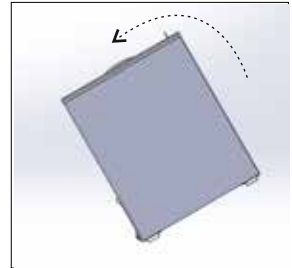


Fig. 3

• Place your appliance as shown in Figure 2. Then, mount two castors with brakes in the to the back side of the container, by fixing the castors in the sockets under the container and ensure that the socket centers are aligned, as shown in figure 4. Then place the U-pins through the holes. Ensure the stability by placing the pim wedges.

•By placing the container as shown in figure 3, mount the two castors in the castor box as shown in figure 5, by applying the same procedure.

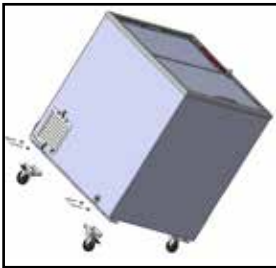


Fig. 4

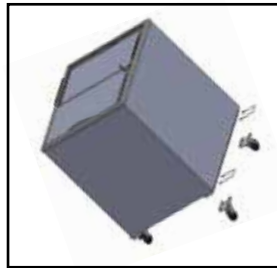


Fig. 5

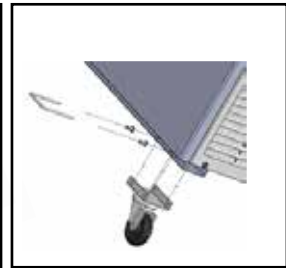
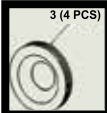
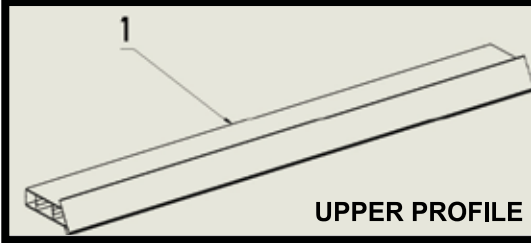
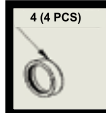


Fig. 5

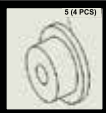
# Service Glass Mounting Instructions



**INTERNAL  
SCREW PLUG**



**EXTERNAL  
SCREW PLUG**



**SIDE GLASS  
HOLE GASKET**



**4.8\*19 SCREW**



**SIDE GLASS  
SUPPORT  
PLATE RIGHT**



**SIDE GLASS  
SUPPORT  
PLATE LEFT**



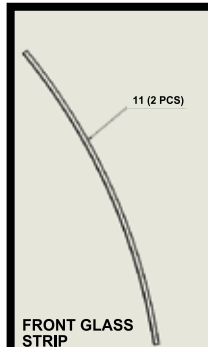
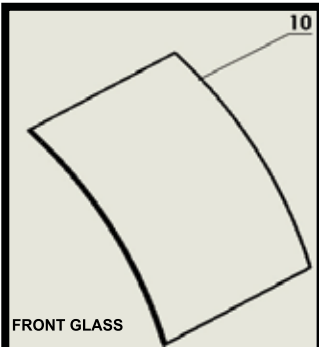
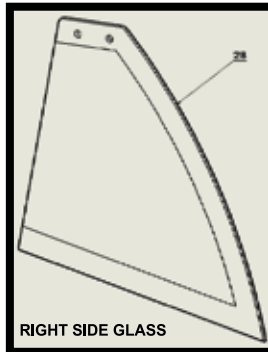
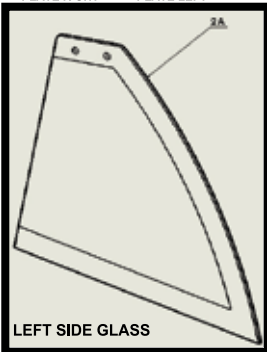
**FRONT GLASS  
SUPPORT  
PLATE RIGHT**



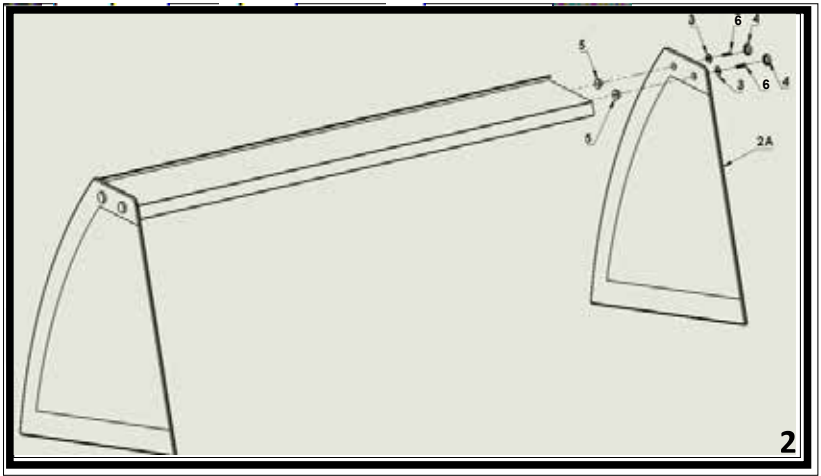
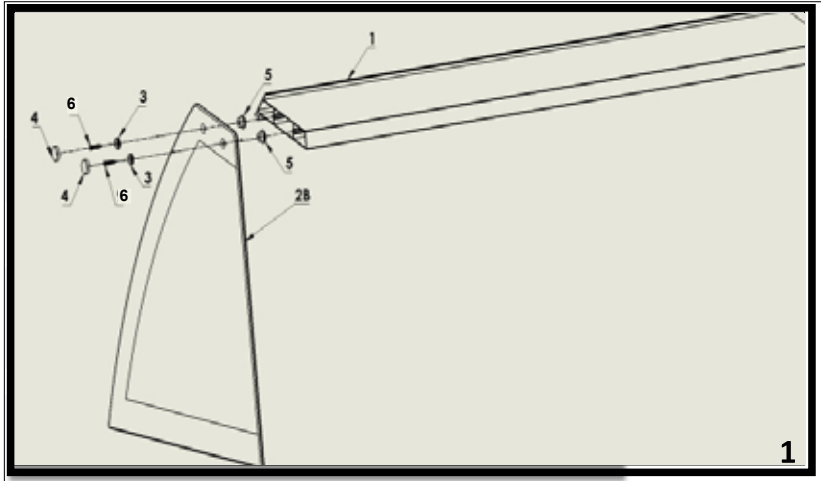
**FRONT GLASS  
SUPPORT  
PLATE LEFT**

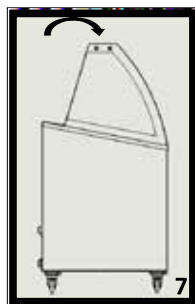
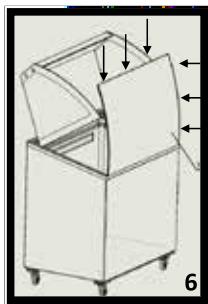
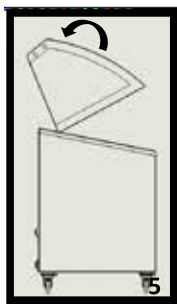
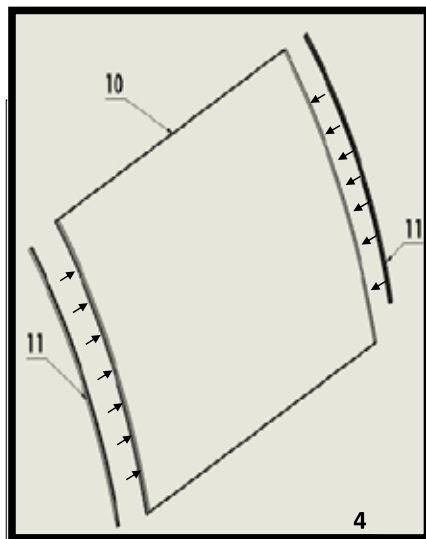
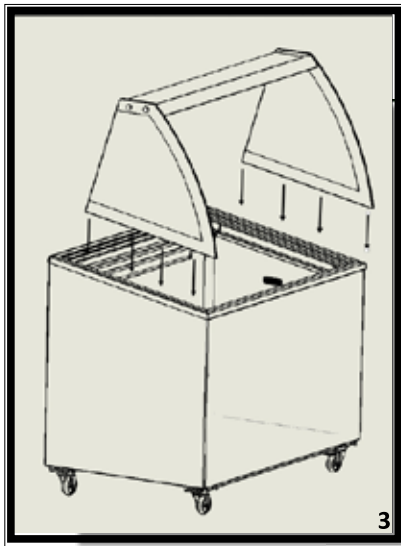


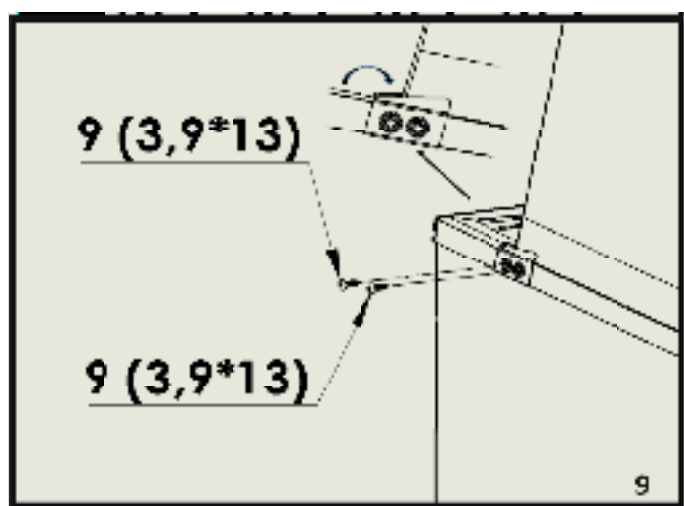
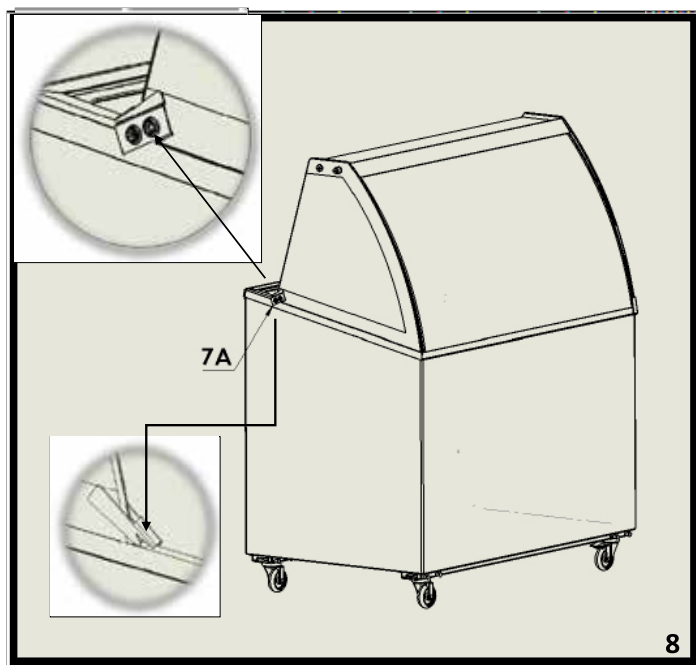
**3.9\*13 SCREW**

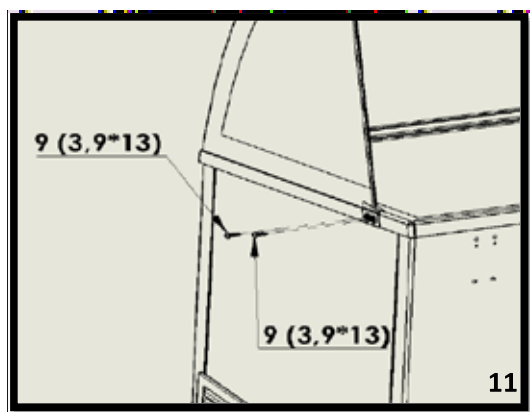
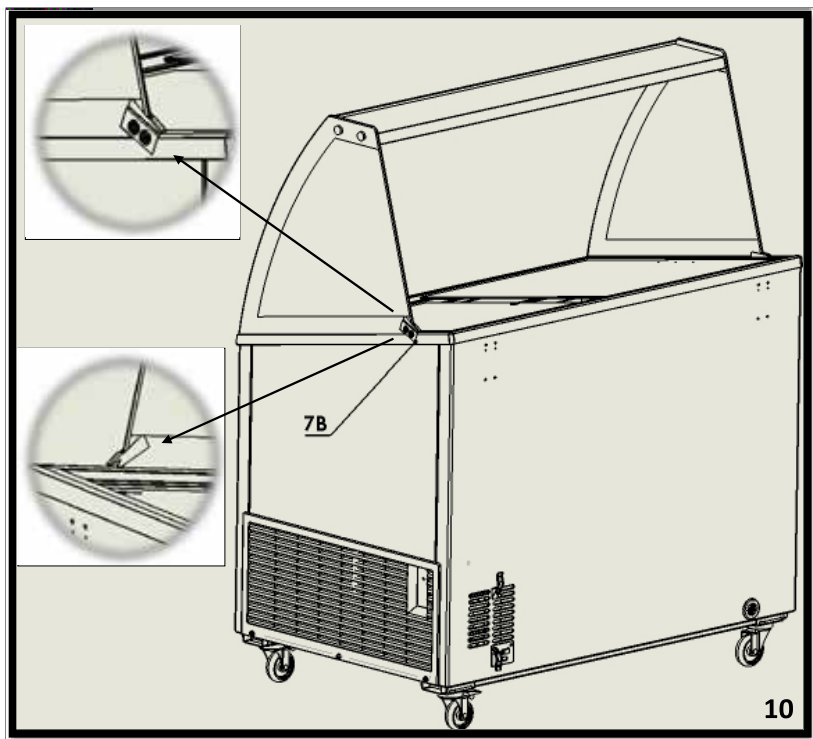


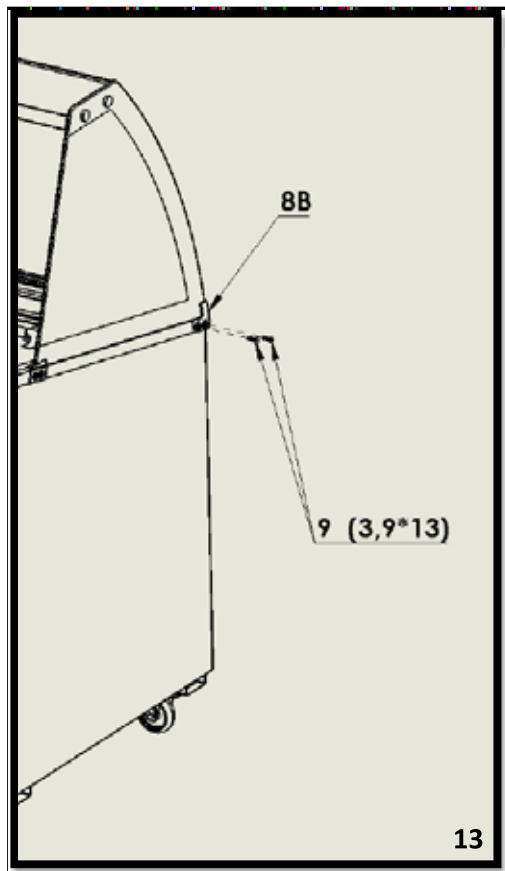
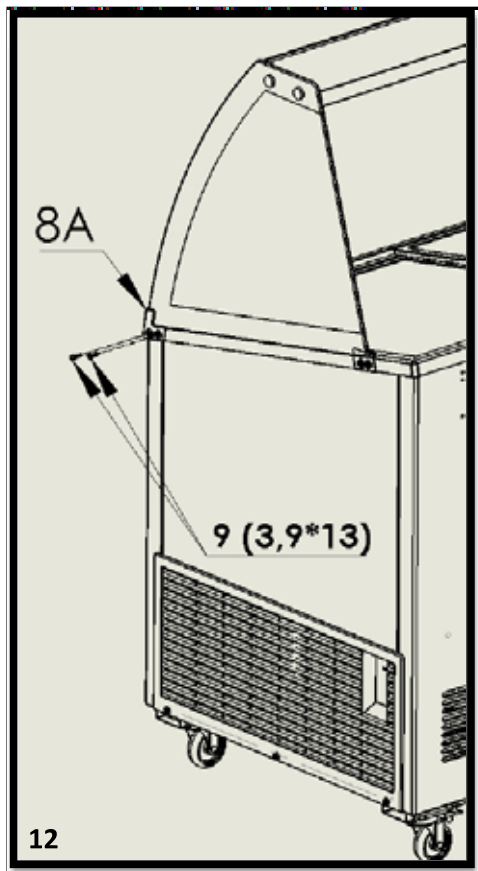


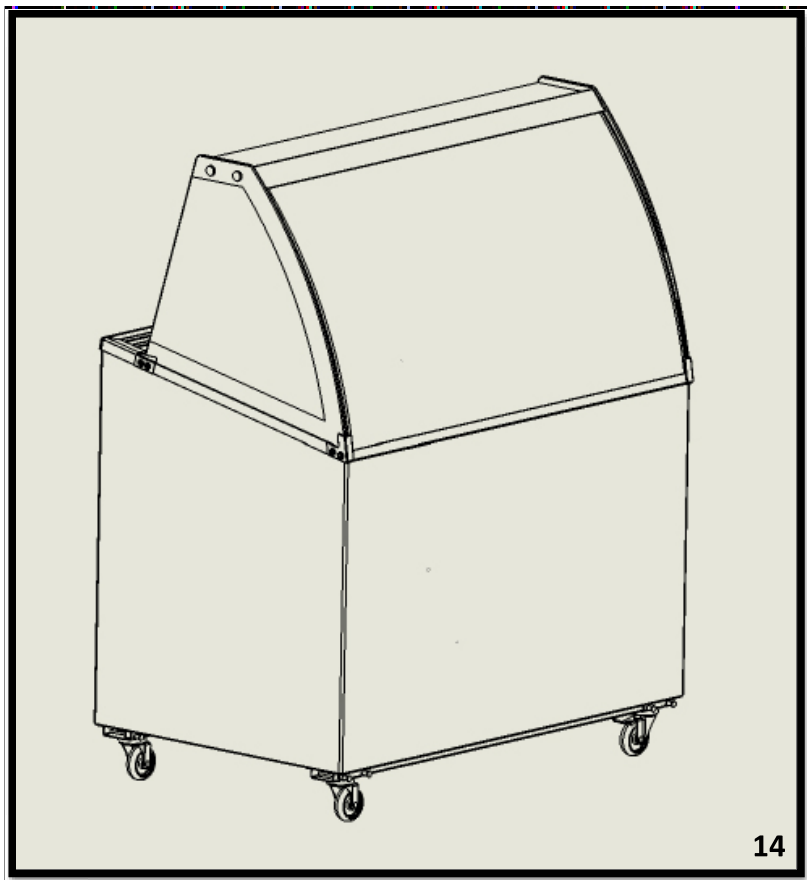












14

## Climate Class Description

Your cooler provides best cooling performance in the conditions specified below as per the climate class. Thus, ensure that the environment where your cooler shall be used conforms with this temperature ranges.

Climate Class	Minimum operating ambient temperature and humidity	Maximum operating temperature ambient temperature and humidity
A	+16 °C, 80 %	30 °C, 55 %
B	+16 °C, 80 %	35 °C, 75 %
C	+16 °C, 80 %	40 °C, 40 %

## Product Climate Class Description

This is the temperature range determined by the protection temperature of the product to be placed inside the cooler.

Climate Class	Hottest product temperature
C1	-18,0 °C
C2	-7,0 °C
S	Special product classification

ice cream display cabinets you have purchased have the climate class of BC1 and they are manufactured so that they shall operate in an average ambient temperature between +16°C and +35°C.

Operating the product out of the mentioned temperature range may cause performance losses.

## 4. SECTION

### LOCATION

#### Possible Installation Locations:

- 1-** Ensure that a clearance of 150 mm (15 cm) is available between the wall and your cooler so that solely the back of your cooler faces the wall.
- 2-** When you place it on the corner, leave a clearance of 150 mm (15 cm) on its back so that it faces the corner. You may lean the side on the corner to the wall. (Figure 4)

The most important point for any kind of placement is that the ventilation of the compressor assembly is not blocked. Place your product so that it is not inclined in any way and that it is standing on its legs or castors and then operate it. (Figure 5)

Your appliance shall operate more efficiently when the ventilation of the compressor assembly is better.

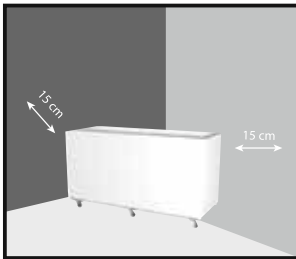


Fig. 4

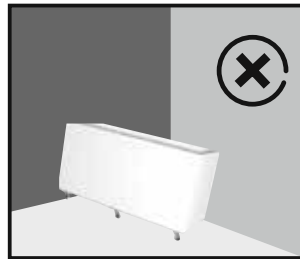


Fig. 5

## INSTALLATION

Take off and remove all package materials and lower wooden pallet of your product before placing it. (It may be required to lift the cooler to remove the base bracket). For the weight of the product, please see the technical table.

Install spare parts provided inside your appliance as per the installation instructions. Use only genuine spare parts.



Non-genuine spare parts may cause risks for you and may damage your product.

Place your product where you desire. Consider the placing rules specified in the manual during placement.

Level your product laterally and vertically with a spirit level. Perform the levelling procedure with the adjustable legs on the front lower part of your cooler.

## **OPERATION OF THE COOLER**

### **Rules for Electrical Connection**

Your appliance shall operate when you plug it to an outlet.

#### **ATTENTION!**

Do not plug your appliance to a multi-socket or do not use an extension cord.

Your product is not equipped with an on/off switch.

Do not allow the cables of your product connected to the mains to contact hot surfaces. Outlet that shall be used shall always be grounded. The outlet to be used should also be protected with a proper fuse with a rating of 16 A minimum. Always get support from our authorized service or a qualified electrician for the fuse that shall be installed on the electrical installation where the outlet is connected. (Figure 6)

The voltage and frequency of mains power should be the same as the values specified on the label on the inner surface of your appliance. If mains power is far below or above the specified value, have the desired voltage by using a voltage regulator.

You can get help from a qualified electrician.

Do not put the cable of your product on passage routes. These may cause injury to you and damage to your cooler.

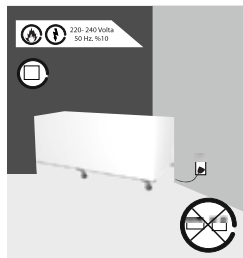


Fig. 6

## THERMOSTAT SETTING

Temperature settings of your cooler is performed in our factory for operation in suitable conditions.

Temperature for the preservation of the food is adjusted with the thermostat by observing it from the thermometer on your cooler (optional).

Internal temperature of your cooler may be adjusted by rotating the thermostat switch. Position "7" on the thermostat shall decrease the internal temperature to the minimum level. Internal temperature of your appliance may be set between  $-16^{\circ}\text{C}$  and  $-24^{\circ}\text{C}$ .

### Putting Food on Your Cooler

You may load the any food you desire as per the examples provided in this manual in your cooler when the cooler has reached the desired temperature as empty. (If your product model is equipped with a thermometer, you may control the internal temperature here.

Always consider the maximum load capacity while loading frozen food in your product. Do not exceed the loading mark on your product.

**WARNING:** Operate your appliance three (3) hours without load before loading your food.

Do not put materials that shall not be cooled in your product.

The basket carriage capacities used in your appliance are specified below.

## DEFROSTING OPERATION

High temperatures and humidity and frequent operation of your appliance may increase the rate of frost. The more the frost, the more the operation time. And this causes an increase in the power consumption. Turn off your appliance and make sure that the frost is removed in such a case.

You can scrape ice and snow with the ice-scrabble that comes with your appliance. If the ice layer is too thick to scrape, put the products in the cooler in a secure place to avoid decaying. Then unplug the cooler. Leave the windows open for 3-4 hours. Remove the dissolved ice with scrabble. After it is completely cleaned, put the glasses on again and plug it. After running for 3 hours, put your frozen products inside.

## **5. SECTION CLEANING, MAINTENANCE AND TRANSPORTATION OF YOUR COOLER**

### **CLEANING**

Cleaning of your product consists of two stages, namely internal cleaning and external cleaning.

Always follow the warnings below before starting the cleaning operation.

#### **WARNING:**

- Always unplug your cooler before any cleaning operation.
- Always wear protective gloves during cleaning and maintenance. This will protect you against injuries.
- Never use domestic cleaning agents and abrasive - scratching material to clean (flammable, ignitable and abrasive materials such as surface cleaners, detergents, fuel oil, thinner, acids, etc.). Otherwise, discolouration may occur on the plastic parts of the product.

### **CLEANING AND MAINTENANCE**

- 1.** For efficiency of your deep freeze, perform cleaning and maintenance at least once in a year.
- 2.** Unplug your cooler from mains power before cleaning it.
- 3.** Always wear protective gloves during cleaning and maintenance. This will protect you against injuries.
- 4.** Do not use domestic cleaning agents and abrasive - scratching materials to clean. Never use flowing or pressured water to wash.
- 5.** Never wash inside or outside of your appliance. This may give damage to your appliance or cause electric shock.

### **MAINTENANCE**

The appliance does not require periodic maintenance.



## Internal Cleaning

- Place the products inside your cooler to a cool environment where they shall retain their temperatures.
- Before performing internal cleaning, wait until the temperature of the inner parts of the appliance increases up to the ambient temperature.
- Always wear protective gloves during cleaning and maintenance. This will protect you against injuries.
- Remove the accessories.
- Perform cleaning by using a soft cotton cloth and warm water.
- Dry it by using a dry cotton cloth. If it is not dried, it may turn black in time.
- Ensure that the inner surface is not wet or moist after cleaning.
- You can reload your food 2 hours after operating based on the type of operating specified within this manual.

## External Cleaning


Clean by using cotton cloth and warm water. Prevent cleaning water from entering the front electrical and illumination sections during cleaning.

**Caution!** Never use chemical agents such as commercial cleaning agents, scratching detergents, acids.

## Turning Off Your Appliance

Place the food in the appliance where appropriate.

- Unplug your appliance. Perform the following if your product shall not be used for a long period;
- Clean your product. Otherwise, moisture remaining on the walls of the appliance may cause darkening on the inner surface.



**WARNING:** If your product shall be stored in a closed environment after turning it off;

Do not cover your product with plastic material. A plastic material may cause your appliance release odour and perspiration as it does not permeate air through it. Perspiration may cause rusting.

If you do not keep your appliance with its sliding door open, it may release odour.

## **WHEN TRANSPORTING,**

- 1.** Remove the plug from the outlet.
- 2.** Melt the ice.
- 3.** Wipe the inner surfaces and floor with a damp cloth.
- 4.** Transport it in the normal operating position.

## WHAT TO DO BEFORE CALLING FOR AUTHORIZED SERVICE

Failure	Possible Solution	Result
If the cooler does not operate (No noise or just the fan noise)	It may be caused by the thermostat. It may be unplugged. Fuse may be blown or faulty. Condenser fins may be dirty or clogged.	It shall operate again when it reaches the proper temperature. Plug it correctly. Consult authorized service or a qualified electrician.
Internal temperature of the appliance is high	Ambient temperature is very high or thermostat setting is incorrect. Rear part is very close to the wall, ventilation blinds are blocked or its front is covered. It may be exposed to excessive external wind. Condenser fins are very dirty	Take your cooler to a place where ambient temperature is lower. Bring it to specified clearance. Clean the front of the ventilation blinds. Prevent wind. Clean the condenser fins.
Internal temperature of your appliance is very low	Wrong internal thermostat setting	Reset the thermostat.
Excessive perspiration inside the appliance and on the window.	Water drainage hole may be clogged for internal perspiration. Humidity level of external environment is higher than 65% for perspiration on the window.	Clean the water drainage hole. For high humidity conditions, you may place your cooler in a location with less humidity.

Power ratings of the lamps or LEDs used in your products are specified on the plate inside the cooler or in the installation area of the lamps. Lamps and LEDs used in your products shall only be intervened by Authorized Services.

## 6. SECTION

### COMPLIANCE WITH AEEE REGULATIONS AND WASTE DISPOSAL



1. This product does not contain the dangerous and prohibited materials indicated in "Waste Electrical and Electronic Equipment Control Regulation" published by Ministry of Environment and Urbanisation of Republic of Turkey. Complies with WEEE Regulations.

2. This product was manufactured from recyclable and reusable high quality parts and materials. Therefore, do not dispose of this product with other domestic wastes at the end of its life cycle. Take it to a collection point for electrical and electronic equipment. You can ask your local administration about these collection points. You can help protect the environment and natural resources by delivering the used products for recycling. Before disposing of the product, cut the power cord and break the locking mechanism to make it inoperable for children's safety.

### PACKAGE INFORMATION

The product's packaging is made of recyclable materials, in accordance with the National Legislation. Do not dispose the packaging waste with the household waste or other wastes, dispose it to the packaging collection areas specified by local authorities.

***Follow the instructions specified in the manual.  
If the appliance is still not running normally despite checkouts you have made, call for authorized service.***

