

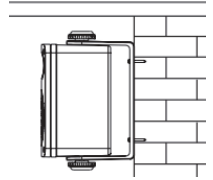
Herdio®

3.5 inch 3-Way Indoor Outdoor Speakers 200 Watts

Dual Passive Speaker System Features:

- Universal indoor/outdoor installation
- Waterproof rating and weatherproofing
- Connecting and Streaming Audio from External Devices
- 3-way full-range stereo reproduction .
- Bass-reflex vents for increased bass response .
- Built-in capacitive crossover network
- Lightweight and compact
- Removable rust-resistant grille
- Quick connect/disconnect speaker terminals
- For home, garage, patio, deck, porch

MOUNTING:



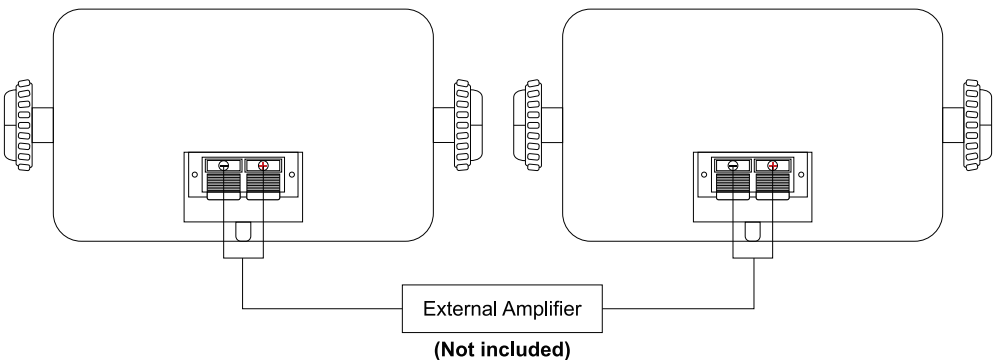
Caution:

1. check speakers for in-phase and normal operating rear angle for best sound.
2. Hand tighten the bracket knobs to check that the entire installation is safe , secure and firm.

Installation Guide:

1. Remove the bracket knob and bracket from the speaker
2. Secure the bracket to the mounting surface, either horizontally or vertically. Hold the bracket so that the speaker wires pass through the wire holes in the bracket. Align the bracket so that it is in a straight line with its surroundings. (Use a level to ensure accuracy)
3. Mark the location of the two screw holes and drill pilot holes in the mounting surface.
4. gently pull the speaker wire through the wire hole in the center of the mounting bracket so that the holes in the mounting bracket line up with the wire holes.
5. Secure the bracket to the mounting bracket with hardware.

HOS-301 Wiring Diagram



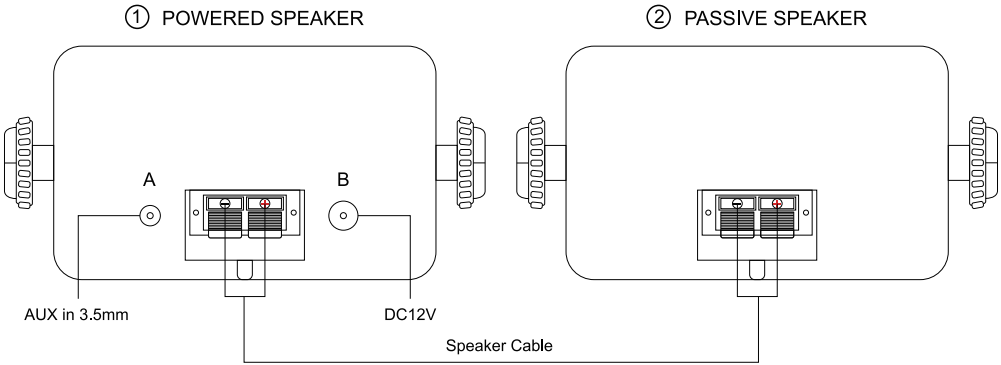
What's in the box?

- Wall mounted speakers x2
- Speaker cable x2
- Removable mounting bracket x2
- Metal screws x 4

www.Herditech.com

Herdio®

HOS-301BT Wiring Diagram



What's in the box?

- Wall mounted speakers x2
- Speaker cable x2
- Removable mounting bracket x2
- Metal screws x 4
- 12v power adapter x 1

Technical Specs Table :

Model Nimber	Peak Power	Rms Power	Woofor	Frequency Response	Impedance	Tweeter
HOS-301BT	200 Watt	100 Watt	3.5 inch	80-20 kHz	4 Ohm	1 inch
HOS-301	200 Watt	100 Watt	3.5 inch	80-20 kHz	4 Ohm	1 inch

WARRANTY

All Herdio speaker products have 1 year Limited Warranty against defects in materials and workmanship. Proof of purchase must accompany all claims. During the warranty period Herdio will replace any defective part and correct any defect in workmanship without charge for either parts or labor. The Technical Support Center at HERDIO is Available from Monday to Friday, Excluding Holidays. If you have any questions feel free to send your messages to our below mail box: support@herdiotech.com

www.Herdiotech.com