



SUBCOLD[®]

VANITY FRIDGE

MODEL: Vanity 6



PLEASE READ AND FOLLOW ALL SAFETY RULES AND OPERATING INSTRUCTIONS BEFORE USE

INSTRUCTION MANUAL

CONTENTS

| | |
|---|----------|
| Safety Instructions | 4 |
| Diagrams | 5 |
| Specifications | 6 |
| Tips | 7 |
| Cleaning & Maintenance | 8 |
| FAQs | 8 |
| FAQs | 9 |

Please read the manual carefully before using the unit.

Thank you for choosing the Vanity 6L Portable Mini Fridge!

Every product is manufactured to the highest standards of performance and safety. We are confident that you will be satisfied with your purchase and we will be always standing behind our products in the future.

Please read the instructions carefully before setting up or using this product. If you believe the product was caused by a manufacturing failure, or if you have any questions about the product, please contact customer support.



READ ALL INSTRUCTIONS BEFORE USE

For your safety and continued enjoyment of this product, always read the instruction manual before using.

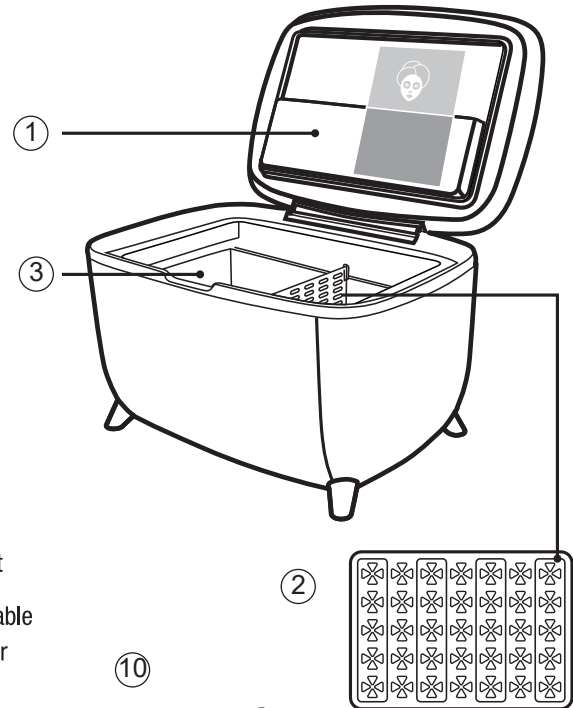
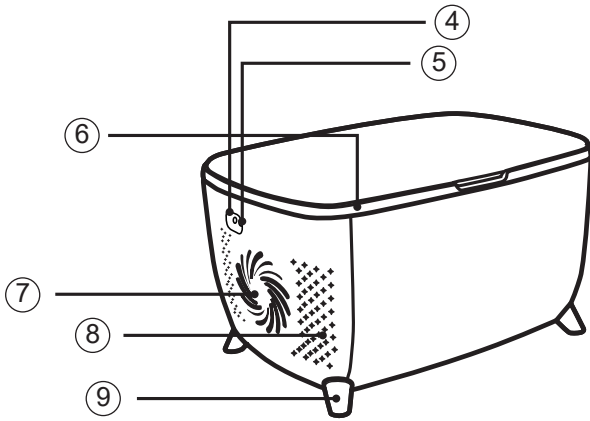
SAFETY INSTRUCTIONS

Warning: Basic safety precautions should always be followed when using electrical appliances.

Including the following:

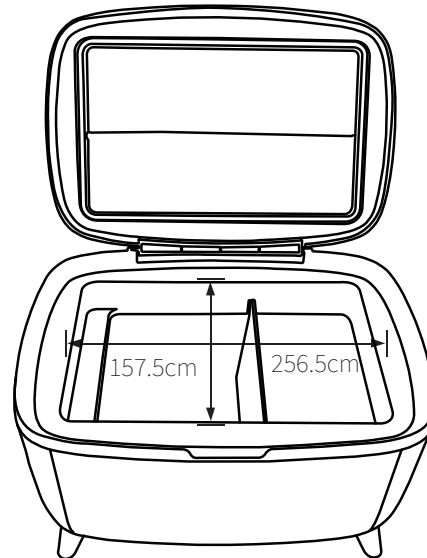
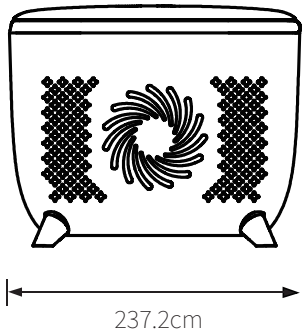
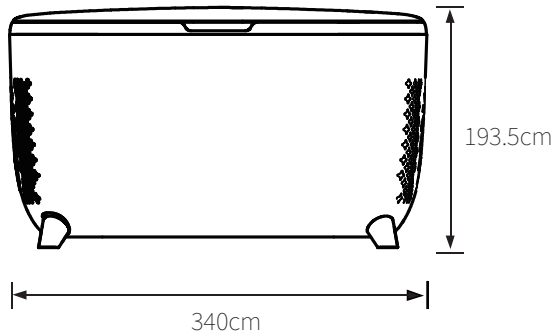
- To prevent fire, electric shock and/or injury, do not immerse power cords, plugs, or the fridge in water or other liquids.
- Close supervision must be exercised when children are using or near any electrical appliances. Keep the mini fridge and the power cords out of reach of children.
- Unplug the mini fridge from the socket when not in use and before cleaning. Allow cooling before putting or removing parts and cleaning equipment.
- Do not operate any equipment that is damaged in any way or has a defective power cord or plug. In this case, contact customer service for assistance.
- Use of accessories not recommended by manufacturer may result in fire, electric shock, or personal injury.
- Do not let wires hang over the edges of tables or counters or touch hot surfaces.
- Do not place your mini fridge over or near a hot or electric stove, or in a heated oven.
- Leave a 6 to 12 inch gap between the rear fan of your mini fridge and any walls/obstacles for continuous optimised operation.
- When not in use, close the mini fridge and unplug it from the electrical outlet.

DIAGRAMS



- ① Interior Door Mask Pocket
- ② Removable Partition
- ③ Cooling Zone
- ④ COOL LED Indicator Light
- ⑤ AC Plug In
- ⑥ Chrome Bezel
- ⑦ Air intake
- ⑧ Air outlet
- ⑨ Chrome Feet
- ⑩ AC Power Cable with Adapter

SIZE DESCRIPTION



SPECIFICATIONS

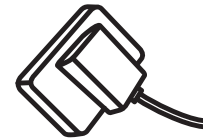
| | |
|--------------------|----------------------------------|
| Capacity | 6 Litres |
| AC Input Voltage | 100V-240VV |
| DC Output Voltage | 9V |
| Temperature Effect | Cooling: 18°C Below Ambient |
| | Cooling: 18 +/-3°C Below Ambient |

AC (Wall) Input Voltage : 100V-120V / 220V-240V

- 1 Plug the AC power cord into the jack on the side of the fridge



- 2 Place the fridge well and insert the plug into the wall plug.



TIPS

Cooling

- For the fastest cooling, fill the fridge with chilled drinks.
- The lowest possible temperature depends on the surrounding environment.
- The cooler the ambient temperature, the colder the compact refrigerator gets.
- The ambient temperature refers to the surrounding air in the room. When the fridge is operating, the contents can be cooled down to around 18°C below the ambient temperature. For example if the room temperature is 22°C the contents would be cooled to approximately 4°C.

CLEANING & MAINTENANCE

When not in use and before storage, be sure to remove the power cord and plug.

Store the mini fridge in a cool, dry place. Always make sure your mini fridge is completely dry before storage.

Always allow your mini fridge to cool completely with the door open before storing it. Keep the door open while it returns to room temperature will help prevent moisture and mold from potentially developing inside.

Wipe the mini fridge with a damp cloth or paper towel. Removable shelf/basket and condensate tray can be cleaned with soap, water and sponge.

FAQs

Q: What to do if the mini fridge is found not working?

- A:
1. Check the indicator lights. If the indicator is off or sometimes on, check the power connection status.
 2. Check the plugs to ensure they are in good contact, remove dirt from the plugs if needed.

Q: Why the mini fridge cannot cool things to the temperature I want?

- A:
1. Ensure that the switch is set to cooling and check whether the fan works properly. If the mini fridge is malfunctioning, contact us for help.
 2. The lowest possible temperature depends on the surrounding environment. The cooler the ambient temperature, the colder the fridge will become.

Three tips for better use of the fridge:

- Place the fridge 2 inches away from the wall for good heat dissipation.
- Better not use at high room temperatures.
- Better not use below at 10°C room temperature when using cosmetic products.

FAQs

Q: Is the mini fridge defective with some water/ice forming inside?

A: No. The mini fridge uses a semiconductor chip, and the temperature difference between inside and outside or the frequent opening of the door will lead to the formation of condensation or ice inside, which is a normal physical phenomenon.

It is not suggested to keep the door open or open/close the door frequently. Also do not directly cool hot objects.

For FAQs and more information, please visit:



www.subcold.com



[@subcoldltd](https://www.facebook.com/subcoldltd)



01506415564 (UK Office Hours)



[@subcold_official](https://www.instagram.com/subcold_official)



Info@subcold.com

UK customers

Subcold Ltd

1 Drummond Square
Brucefield Industrial Estate
Livingston, West Lothian
EH54 9DH
United Kingdom

EU customers

Eurolink Europe

Compliance Limited

25 Herbert Place
Dublin D02 AY86
Republic of Ireland



SUBCOLD[®]