



SUBCOLD[®]

REFRIGERATORS

Models: 35/50/65/85L



PLEASE READ AND FOLLOW ALL SAFETY RULES AND OPERATING INSTRUCTIONS BEFORE USE

INSTRUCTION MANUAL

CONTENTS

Name of the parts	2
Specifications and parameters.....	3
Safety warnings	4
Installation instructions	5
Operation	6
Packing and moving.....	6
Maintenance.....	7
Defrost.....	7
Disconnecting the appliance.....	7
User notifications.....	8
Troubleshooting tips.....	8

Thank for purchasing our product and thank you for placing your confidence in us. Please read this manual carefully before using. Follow the instructions and keep this handy for future reference. Please follow the operating instructions and safety notices in the manual. If any issues arise, do not fix it yourself or hand it to the after sales service center which has not been authorized. Please contact the local authorized service center.

SPECIFICATIONS AND PARAMETERS

MODEL	SUPER 35	SUPER 50	SUPER 65	SUPER 85
NET CAPACITY	35L	49L	60L	80L
RATED VOLTAGE	220-240V~ 50Hz	220-240V~ 50Hz	220-240V~ 50Hz	220-240V~ 50Hz
REFRIGERANT	R600a	R600a	R600a	R600a
ENERGY CONSUMPTION	80KWh/ Annum	84kWh/ Annum	80kWh/ Annum	102kWh/ Annum
MAX LAMP POWER	10W	10W	10W	10W
CLIMATE CLASS	N	N	N	N
FOAMING GAS	Cyclopentane	Cyclopentane	Cyclopentane	Cyclopentane
DIMENSION (MM)	405X440X552	440X500X525	474X450X640	474X435X844
PACKING (MM)	490X528X625	530X550X575	550X510X675	545X510X885
NET WEIGHT (KG)	15.6	17.1	17.5	23
GROSS WEIGHT (KG)	16.9	18.1	19.6	26

SAFETY WARNINGS

To avoid the risk of fire, electrical shock or injury and to ensure your personal safety when using this appliance the under listed instructions/precautions are to be followed:

1. The circuitry for the refrigerator must be isolated. The area of cross section of wire must be larger than 0.75mm². The power plug should have its own socket, the socket must be grounded as an adapter may cause the socket to overheat.
2. The voltage and frequency of this product should be 220-240V;50Hz. Contact with a local maintenance company or your retailer in case of electrical cord damage.
3. Always disconnect the power only by pulling the power plug out of the socket directly but not by the cord. The socket power switch should be used before unplugging.
4. Do not damage the refrigerant circuit by overloading items inside causing damage to the evaporator.
5. Persons with low physical, sensory and mental capabilities (including children of below 8 years) are not advised to use this appliance unless they are well supervised/instructed by a safety person. Children should be supervised to ensure that they do not play with the appliance. Children should not play with the appliance. Cleaning and user maintenance should not be made by children without supervision.
6. Keep a minimum of 5cm gap on all sides for best cooling performance and ensure sufficient ventilation opening. This is freestanding design and a furniture door / cupboard use is not suitable for this appliance.
7. ***Before you throw away your old refrigerator or freezer.***
 - Take off the doors
 - Leave the shelves in place so that children may not easily climb inside
8. Do not store explosive devices / substances such as aerosol cans with a flammable propellant . This appliance is intended to be used in household and similar applications such as :
 - Staff kitchen areas in shops, offices and other working environments;
 - Farm houses and by clients in hotels, motels and other residential type environments; bed and breakfast type environments;
 - Catering and similar non-retail applications.
9. Do not use any electrical appliances inside the food storage compartments of the appliance, unless they are of the type recommended by the manufacturer
10. All affected or faulty parts (including the lamp) must be changed by a certified technician
11. To avoid hazards, the supply cord must always be replaced by the manufacturer, its service agent or similarly

Warning: this appliance must be fixed in accordance to the instructions provided to avoid hazard

Note:

1. Do not expose to open flames, gas or other harmful substances
2. Don't splash water on the rear of the appliance, for it may cause malfunction or electric shock.
3. Don't store flammable materials such as ether, benzene, LP gas etc
4. It is better not place objects on the top of appliance which is magnetic, heavy, or filled with water.
5. The refrigerant of this product is R600a, which is inflammable. So, make sure not to damage the cooling system during the transportation and installation.
6. DISPOSAL: For safe disposal contact a WEE waste removal company local to your area

INSTALLATION INSTRUCTIONS

1. The refrigerator should be located in a completely flat surface, Leave 5~10 cm between each side of the appliance and the wall
2. Choose a location which is not exposed to sunlight, high temperature or humidity
3. Remove all adhesive transport tapes before using.
4. The appliance can be adjusted by turning its two feet on the front and bottom when it is unstable. Turning clockwise / anti-clockwise to level the appliance with a spirit level.
5. The location should be firm and flat. If it is not in a level position it may cause noise / vibration:
 - 1) The noise may be increased if the floor is not firm.
 - 2) Put a sheet under the appliance for better heat emission if you need to locate it onto a carpet.
6. Make sure the adjustable feet are tight to the floor, and set the appliance to slope backwards slightly for keeping the doors closed tightly.

For disposal of the appliance:

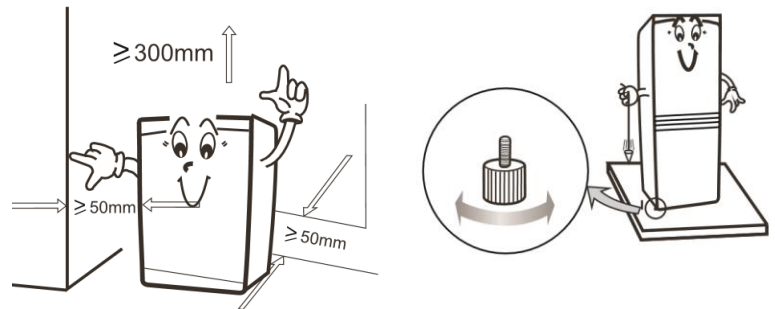
To prevent possible harm to the environment or human health from uncontrolled waste disposal, recycle it responsibly to promote the sustainable reuse of material resources. And the disposal should only be done through public collection or drop off points.

For installation, servicing:

Appliance should be placed on a horizontal floor and allow free ventilation.

For handling:

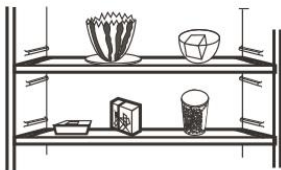
Always handle the appliance gently and with care to avoid any damage. Do not drop



USAGE INSTRUCTIONS

Placement of Items

1. Allow some space between items inside for air circulation.
2. Food should be kept in sealed package to prevent them from getting dry
3. Hot food should be cooled down before placing into the appliance.
4. Reduce the frequency of door opening - it can efficiently lower the electricity consumption.



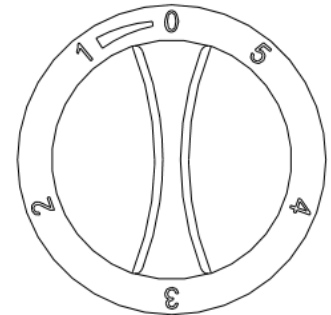
Warning Do not use any electronic equipment inside the appliance.

OPERATION

Setting the Temperature Control

The temperature of refrigerator can be controlled manually by the thermostat knob. The higher the number on the thermostat the colder the inside temperature will be.

- Your unit has only one control knob for regulating the temperature in the compartment. The temperature control knob can be found at the lower right side of the compartment.
- Set the temperature knob to 5 for first use, the Temperature can be adjusted to suit your need after 24hrs. "3" and "4" is recommended for normal home or office use.
- Turn the switch to "0" to turn the appliance off.



NOTE:

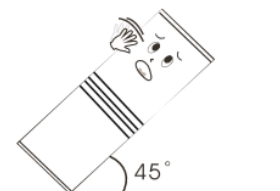
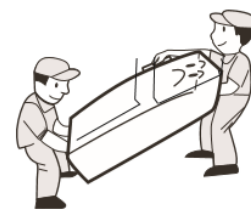
- Turning the switch to "0" only stops the cooling cycle and not the shutting off the unit's power.
- When the unit is not plugged or turned off, wait for 3 to 5 minutes before restarting to avoid the unit's malfunctioning

Energy Saving

1. Place this product in a cool area of the room and far away from any heat source for a maximum function.
2. Do not store hot food in the refrigerator, wait for it to cool before storage. This will prevent the compressor from overworking
3. Ensure foods and other items placed in the refrigerator is wrapped properly or with a dry container to prevent frost build-up inside the unit
4. Do not line the interior with an aluminum foil, wax paper etc.
5. Well organization and proper food labelling should be taken into consideration to reduce frequent door openings to improve the efficiency of the appliance.

Packing and Moving

1. Ensure you note the position of each accessory of the appliance when you unpack it, repack the product and check it carefully before transportation.
2. Do not lift or pull the door or the door handle during lifting, carrying and transportation.
3. When moving, the appliance can not be sloped over 45 degrees (the angle to the vertical direction). Please avoid strong vibrations.



MAINTENANCE

This appliance should be maintained and cleaned frequently. For your safety, ensure to unplug the socket from the main power source before cleaning.

Interior maintenance

Clean the interior of the appliance with clean water and non-haz cleaner and wipe it with dry with a cloth.

Maintenance of the door gasket

It is easy to cause damage if the door gaskets if not cleaned well. Ensure the gasket is cleaned sufficiently.

Outer maintenance

Wipe the dust off with a dry clean cloth.

Defrost

Heavy frost will influence the refrigeration of the appliance and increase the energy consumption. Thus, defrosting is needed when the frost is as thick as 5 mm. The process for manual defrost are listed as follows:

- Take all the items out of the appliance;
- Remove the shelf;
- Unplug the power cord;
- Open the doors and wait for thawing;
- Wipe the defrost water with a dry cloth.

Warning: Do not use any other equipment or method to assist the defrost process. It may cause damage to the cooling system.

Disconnecting the Appliance

In case of a power failure, the refrigerator can store items normally for several hours.

During power failure

If there is a power failure, do not put new items in the refrigerator and minimize the frequency of door opening.

During vacation

For a short vacation, ensure that all items in the fridge are removed before the vacation and close the door firmly. if on a long vacation, the appliance can be disconnected from the power source; defrost, clean and wipe-it dry, and leave the door open.

Not in use

If the refrigerator will not be used for a long time, please unplug it from the outlet and clean the appliance. The door should be kept open in order to prevent unpleasant smells

Attention: In a general working conditions, do not restart the power immediately, please leave at at least 5 minutes before powering back on.

USER NOTIFICATIONS

- ❑ Do not expose water to the refrigerator, as it will lead to oxidation which may cause malfunction or damage.
- ❑ Cleaning materials such as soap powder, abrasive cleaning powder, alkali cleansers, chemicals, thinners, alcohol, acid petroleum and very hot water should not be used to clean the refrigerator as they may damage the painted covers and plastics.
- ❑ Heat or direct sunlight can cause damage to the interior plastic components and liner.
- ❑ **Ensure to check the following after maintenance:**
 - Is there any damage or loss of power ?
 - Can the plug be put in the socket reliably and smoothly?
 - Is the plug heating unconventionally?

Troubleshooting Tips

You can easily solve some common problems in the unit which will save you the cost for a possible service charge by technician. Try the suggested points below to see if you can solve the problem before contacting the repair centre.

PROBLEMS	POSSIBLE CAUSE
The refrigerator does not work	<ul style="list-style-type: none"> • It may not be connected to the power supply(plug, power cut or fuse; Voltage may be too low. • Circuit breaker tripped or blown fuse • The control knob was set to “0”
The refrigerator does not work efficiently as expected	<ul style="list-style-type: none"> • It may be caused by heavy frost, or by warm temperature setting, or by frequent door openings.
Turns on and off frequently	<ul style="list-style-type: none"> • Room temperature is hot • Door opens frequently • Door not closed tightly • The temperature control switch was not set right • Door gasket not sealed properly • Unit not having correct clearances
It makes an unusual noise	<ul style="list-style-type: none"> • It may be caused by an imbalance in the position • The compressor keeps working for a long period • The environment temperature may be high. • The door may be opened frequently or even left opened. • The temperature control knob setting in 5 state may increase the working time of compressor.

Troubleshooting Tips...

PROBLEMS	POSSIBLE CAUSE
Unusual smell	<ul style="list-style-type: none"> • Food with strong odour should be packed tightly before being put inside the appliance. • Please check whether there is any deteriorated items or whether the liners are left uncleaned for a long time.
Water leaks from the bottom of the refrigerator	<ul style="list-style-type: none"> • The drain tube is blocked. Please use a tool to unblock the drain pipe. Empty and Clean Tray
Heavy frost occurs on the rear of the appliance	<ul style="list-style-type: none"> • Putting hot food into the appliance may cause this problem. Or the setting high (5 for long time) • it may be caused by the heavy environment moisture / humidity
Door not closed properly	<ul style="list-style-type: none"> • Unit not on a level surface • Door not installed properly or reversed • The gasket is dirty or bent • The shelves are out of position

Cases that are not malfunctions

- Moisture may form dew on the outside of the product during high humidity. Please wipe the external surface with a clean and dry cloth to clear this dew
- The flow of refrigerant through the evaporator and compressor can cause some noises which is normal.
- The sides of product having a warm temperature; it is as a result of the appliance working.
- The frame of the appliance will be warm to prevent condensation

If the supply cord is damaged, it must be replaced by the manufacturer, its service agent or a qualified technician in order to avoid hazard.