



**MINI FRIDGE**

**Pro4 and Pro 6**



PLEASE READ AND FOLLOW ALL SAFETY RULES AND OPERATING INSTRUCTIONS BEFORE USE

**INSTRUCTION MANUAL**

# Contents

<b>Important Safety Instructions .....</b>	<b>2</b>
<b>Product Features .....</b>	<b>3</b>
<b>Operating Instructions .....</b>	<b>4</b>
<b>Adapter Installation .....</b>	<b>5-6</b>
<b>Specifications &amp; Parameters .....</b>	<b>7</b>
<b>Usage &amp; Application .....</b>	<b>8</b>
<b>Maintenance .....</b>	<b>8</b>
<b>Troubleshooting Guide .....</b>	<b>9-10</b>
<b>Warranty Registration .....</b>	<b>11</b>
<b>Environmental Friendly Disposal .....</b>	<b>11</b>

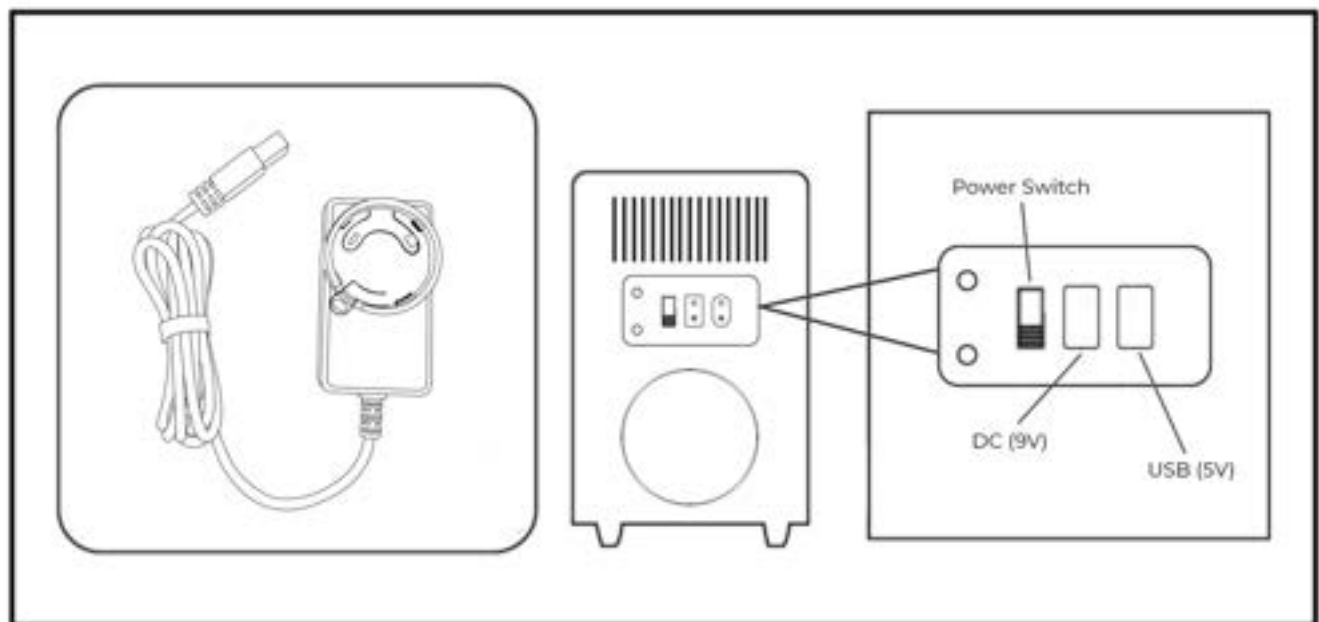
## Important Safety Instructions

**Read these operating instructions carefully before using this appliance and keep them for future use.**

- Avoid covering the rear fan outlet with curtain or clothing to prevent overheating.
- Ensure AC/USB power cables are correctly connected to their respective inputs at the back of the appliance.
- Keep the product away from flammable or explosive materials to mitigate the risk of fire or explosion.
- Only qualified professionals should attempt repairs; non-professionals must refrain from opening the machine.
- Do not rinse the appliance with water; maintain cleanliness and dryness at all times.
- Prevent damage by placing the appliance upside down, and prevent dropping or causing shocks.
- Store fresh food inside the appliance only when properly packaged.
- Protect the appliance from rain, showers, or running water to prevent damage.
- Ensure adequate ventilation around the appliance for optimal performance.
- Refrain from using other electrical appliances inside the product to prevent damage or interference.
- Individuals under the age of 8 years old or with physical, sensory, or mental impairments should use the appliance under supervision and with proper instruction.
- Ensure the power cable is not trapped or damaged during positioning.
- Avoid positioning portable power sockets or cables at the rear of the appliance.
- Keep children away from the appliance, avoid cleaning with flammable liquids, and store flammable materials away from it.
- Clean the appliance using non-abrasive cleaners or soapy water, avoiding solvents.
- Ensure proper ventilation clearance around the appliance for heat dissipation.
- Minimise door openings to maintain a stable temperature.
- Follow general installation guidelines to avoid heat sources, direct sunlight, and other electrical equipment on the appliance.
- Refrain from placing the appliance in damp areas.
- Refrain from storing perishable food for extended periods, as the temperature may not be sufficiently cold.

## Product Features

- The mini fridge utilises advanced thermoelectric cooling technology, known for its quiet operation, absence of CFC, low power consumption, efficient cooling and extended lifespan, sleek design, compact size, and portability, while also being environmentally friendly.
- By incorporating the innovative Peltier effect, this product eliminates the need for bulky and noisy compressors, as well as ozone-depleting fluorocarbons, ushering in a new era of convenience and environmental responsibility.
- With its extended lifespan, compact dimensions, and portability, this product is suitable for both indoor and 'on-the-go' use, offering versatility and convenience wherever it goes. \*Please note that this item must not be used outdoors.
- When used and maintained in accordance with the manual, the thermoelectric cooler can provide long-lasting performance, with its strong cooling capability achieving temperatures approximately 18°C lower than the ambient temperature.



# Operating Instructions

## Using Household Power

- Connect the lead to the appliance, do not for the power cord into the product.
- Securely plug the power lead into the household power outlet and turn on the power.
- Ensure good air circulation around the fridge during operation. Do not block or cover the product.

## Using USB Power

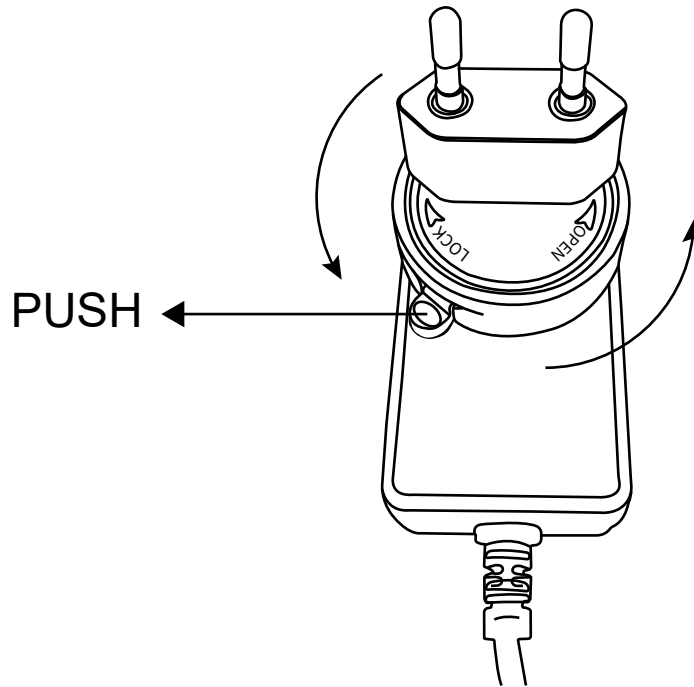
- Securely plug the USB lead into the USB power outlet. Do not force any leads into the product.
- Ensure the fridge is connected to a USB outlet with a minimum current output of 2A.
- When using in a vehicle, ensure the engine is running to provide adequate voltage supply to the fridge.
- Plug into the USB-marked socket on the fridge.
- Maintain good air circulation (at least 10cm clearance on all sides and top) around the fridge during operation and avoid blocking or covering the product.

## Tips and Tricks for Electronic Refrigerator

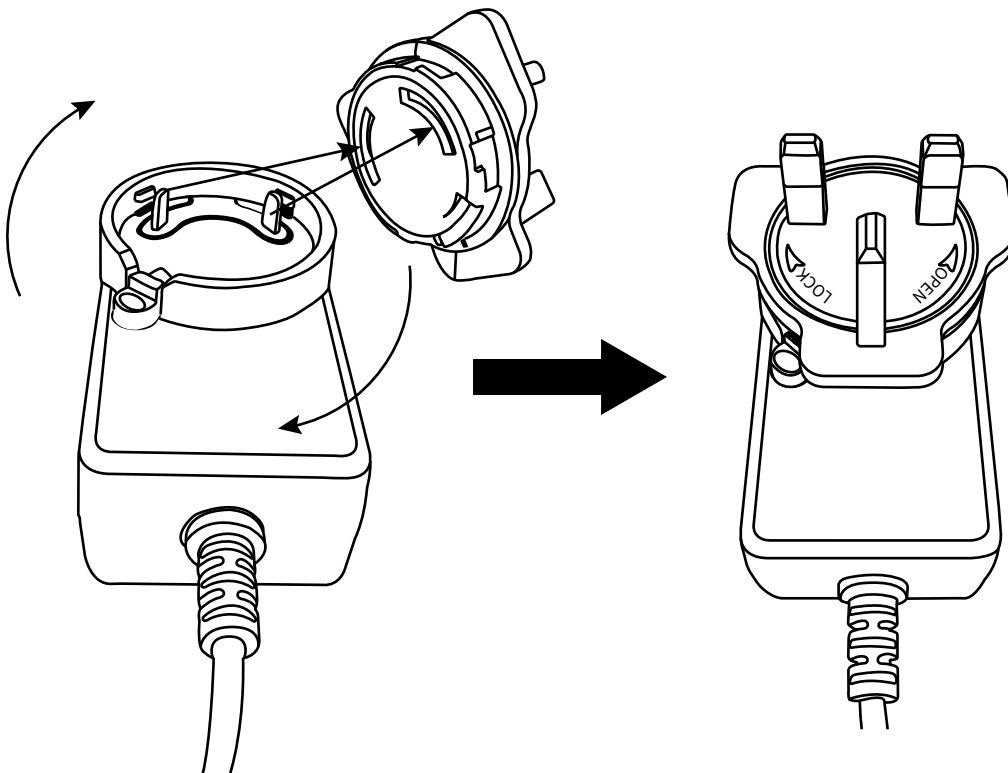
- Place items closer to the thermoelectric element for better cooling efficiency.
- For very cold drinks, aluminum canned drinks enhance the icing effect.
- For fresh fruits, cut them into smaller pieces, cover with cling film, and position them close to the inner wall of the refrigerator.
- For ready meals, use a metal dish covered with cling film and place it on the base of the unit near the inner wall.
- For cosmetic or skincare products, position them on the middle or lower shelf closer to the thermoelectric cooler for optimal cooling.
- Note that colder ambient temperatures may cause internal freezing of items.
- Ensure room temperature remains between 18°C and 25°C for optimal operation.
- Adequate ventilation is essential at all times.

## Adapter Installation

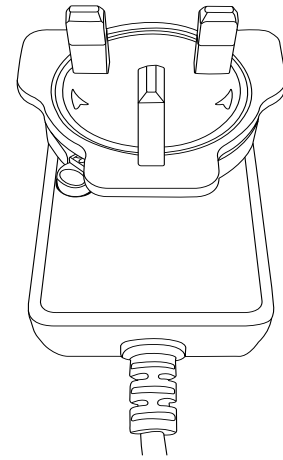
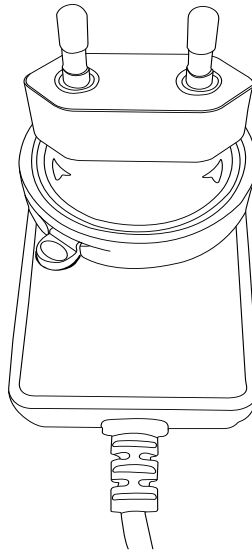
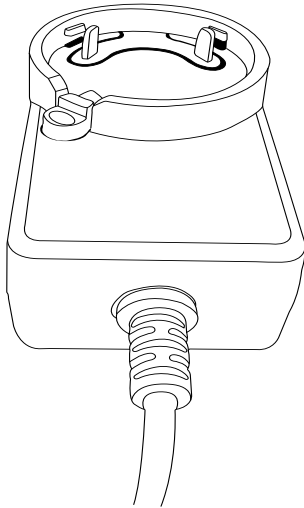
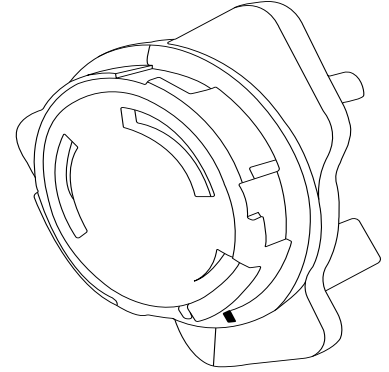
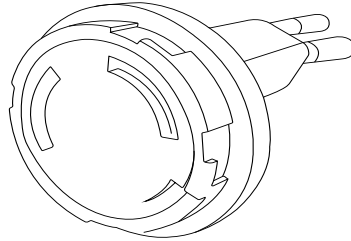
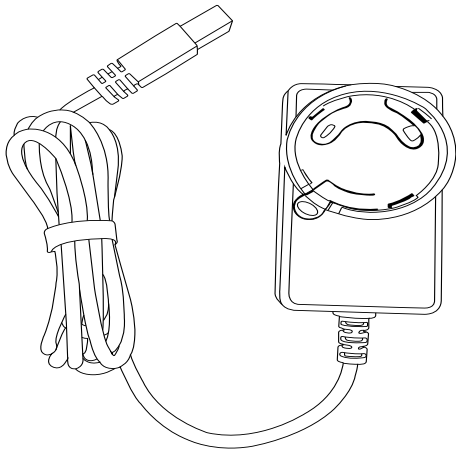
Remove the plug: press the push key and turn the plug counterclockwise at the same time, pull plug off



Install the plug: align it with the clamping position and directly turn it clockwise, installation is complete



# Adapter Installation



## Specifications & Parameters

<b>Model</b>	Pro4 / Pro6
<b>Capacity</b>	4L / 6L
<b>Voltage (AC)</b>	100V-240V
<b>Power (USB/AC)</b>	6.5W / 20W
<b>Voltage (USB/DC)</b>	5 V / 9 V
<b>Cooling</b>	18°C Below Ambient Temperature



## Usage & Application

Suitable for use in a variety of settings including vehicles, homes, boats, offices, and more.

This mini fridge is ideal for refrigerating items such as fruit, beer, canned soda, cosmetics, makeup, skincare products, and more.

Not Suitable For: Ice cream, frozen food, raw fish, meat or perishables.

## Maintenance

Before cleaning, ensure the switch is turned off and unplug the fridge to disconnect the power supply. Avoid unplugging while the control switch is in the "on" position.

Clean the surfaces of the mini fridge using a soft, warm cloth with a mild, non-hazardous detergent. Alternatively, regularly wipe the inside of the fridge with a soft cloth dampened with warm water.

Avoid direct exposure of the fridge to water. Ensure water does not splash on the working parts such as the heat dissipation outlet, switch, or socket, as this may damage the electrical PCB or cause electric shock.

# Troubleshooting Guide

Some issues with your appliance may have straightforward solutions. Before contacting customer service or a repair professional, please refer to the following:

PROBLEM	POSSIBLE CAUSES & SOLUTIONS
<b>Blinking Green Light (at back of appliance).</b>	Contact Customer Support.
<b>Loud Noises/Unit Isn't Cooling.</b>	<p>The fan may make a slight whirring sound, this sound is normal.</p> <p>If there is any loud sound emitting from the appliance, turn off the power, unplug and check fan for obstruction, Hoover the vent to clear any dust/debris from the inside.</p>
<b>Unit stopped working/Light on the back is off.</b>	Check power outlet and fuse.
<p><b>Ice build up inside the back around the screws.</b></p> <p><b>Water collecting at bottom of the unit/water leakage.</b></p>	<p>First, check the power outlets.</p> <p>If the unit is not turning on in your home/office AC mode, try plugging the unit into a USB outlet using the included DC USB power cord.</p> <p>If the unit is not turning on in a USB DC power outlet/vehicle, try plugging the unit into a 220-240V AC outlet in your home/office using the included AC power cord.</p> <p>Ensure the door is clean, free from obstruction, and securely closed.</p> <p>It is normal for thermoelectric units to produce water droplets during cooling, which may freeze and then melt.</p> <p>Check for water condensation in the unit; if present, it's likely due to normal condensation.</p> <p>Use a soft dry cloth to gently wipe down the inside to remove any moisture accumulation. It's recommended to perform this wipe-down once or twice a week.</p>

## Troubleshooting Guide

PROBLEM	POSSIBLE CAUSES & SOLUTIONS
<b>Back of the fridge is hot.</b>	Thermoelectric units operate by transferring heat from one side to the other when a DC electric current flows through the device. It's essential to maintain a clearance of at least 10cm to ensure adequate airflow and circulation. If you notice excessive heat at the back of your mini fridge, please power off the unit and promptly contact our Customer Support team for assistance.
<b>Removing Shelves/Door Pocket.</b>	To remove the shelf, gently slide out.  To remove door pocket, gently slide/lift upwards from the slot.

If you have any uncertainties or encounter persistent issues, please don't hesitate to reach out to our dedicated customer support team. They are readily available to provide assistance and address any concerns you may have.

## Warranty Registration

To register your product warranty, kindly visit [www.subcold.com/pages/product-registration](http://www.subcold.com/pages/product-registration) and fill out the online form.

## Environmental Friendly Disposal



To avoid any harm to the environment or human health caused by improper disposal of electrical waste, recycle the device responsibly to promote the reuse of material resources. Disposal must be done safely at public collection points provided for this purpose.

Older refrigerators may contain CFCs that destroy the ozone layer; contact your nearest waste treatment center for more details on proper disposal procedures.

*For FAQs and more information, please visit:*



[www.subcold.com](http://www.subcold.com)



@subcoldltd



01506 440557 (UK Office Hours)



@subcold\_official



[sales@subcold.com](mailto:sales@subcold.com)



Subcold Ltd  
28/2 Firth Road  
Houstoun Industrial Estate  
Livingston, EH54 5DJ  
United Kingdom.

Authorised Representative:  
Eurolink Europe Compliance Limited  
25 Herbert Place  
Dublin, D02 AY86  
Republic of Ireland.

