



# SUBCOLD<sup>®</sup>

**MINI FRIDGE  
COOLER & WARMER**

**Models: Classic 4L;  
Ultra 6L, 10L, 15L**



PLEASE READ AND FOLLOW ALL SAFETY RULES AND OPERATING INSTRUCTIONS BEFORE USE

## INSTRUCTION MANUAL

# CONTENTS

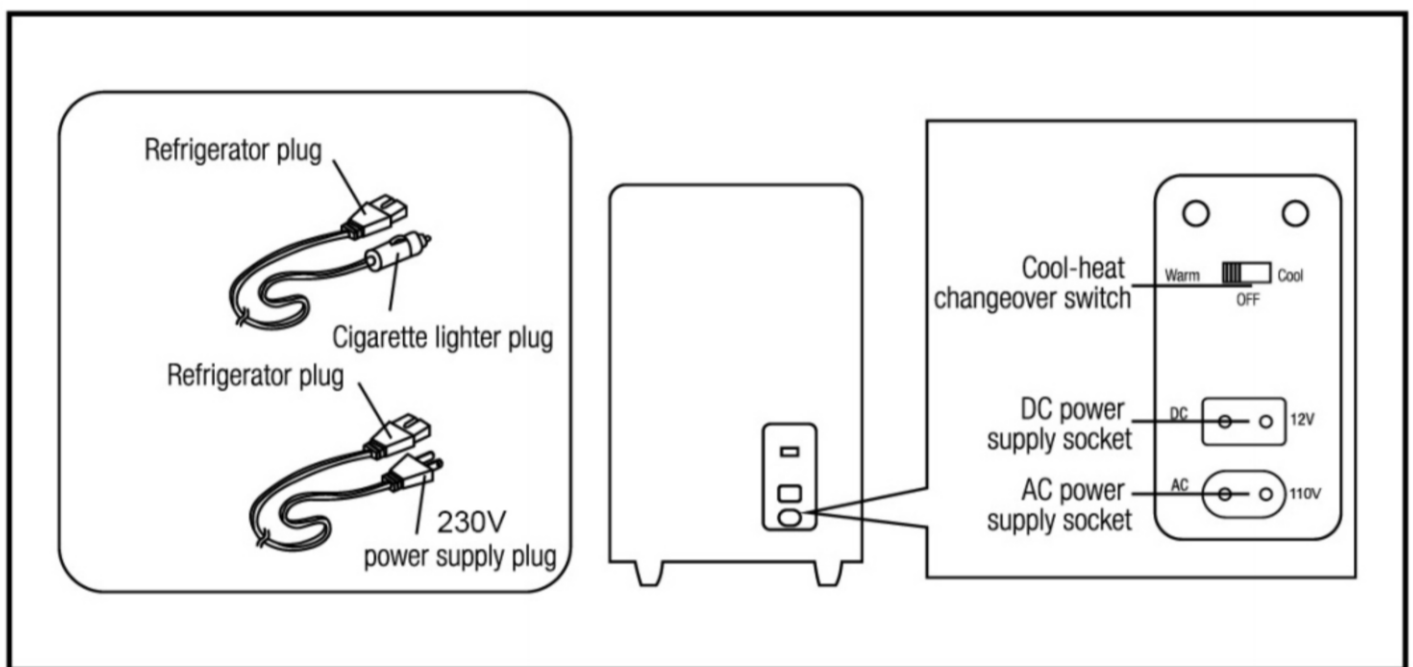
<b>Product Features.....</b>	<b>2</b>
<b>Wiring Diagram.....</b>	<b>2</b>
<b>Operation Guide.....</b>	<b>3</b>
<b>Application.....</b>	<b>5</b>
<b>Cleaning &amp; Maintenance.....</b>	<b>5</b>
<b>Safety Warnings .....</b>	<b>5</b>
<b>Troubleshooting Tips.....</b>	<b>6</b>
<b>Specifications.....</b>	<b>7</b>
<b>Frequently Asked Questions .....</b>	<b>8</b>

Please read the manual carefully before using the unit

## PRODUCT FEATURES

1. The mini fridge cooler and warmer, uses semiconductor refrigeration technology, this can refrigerate and also warm due to the advanced thermoelectric element. Characterized by quietness, free of CFC, low power consumption, high efficient cooling and heating function, long operating life, nice appearance, small size and easy to carry, it is also environmentally friendly.
2. Application of the new concept and technology the PELTIER effect makes this product break away from cumbersome and noisy compressor and oxygen fluoride pollution.
3. The product, characterized by a long operating life, small size, being easy to carry and both cooling and warming functions, is fit for use indoors and outdoors (under cover)
4. The thermoelectric cooler can last a long time if used correctly and maintained well and operated according to the manual ; heat insulation ensures the service life of product ; a strong refrigerating ability makes the temperature around 18°C lower than current ambient temperature; when the heat function is enabled it can reach as high as 60-65°C

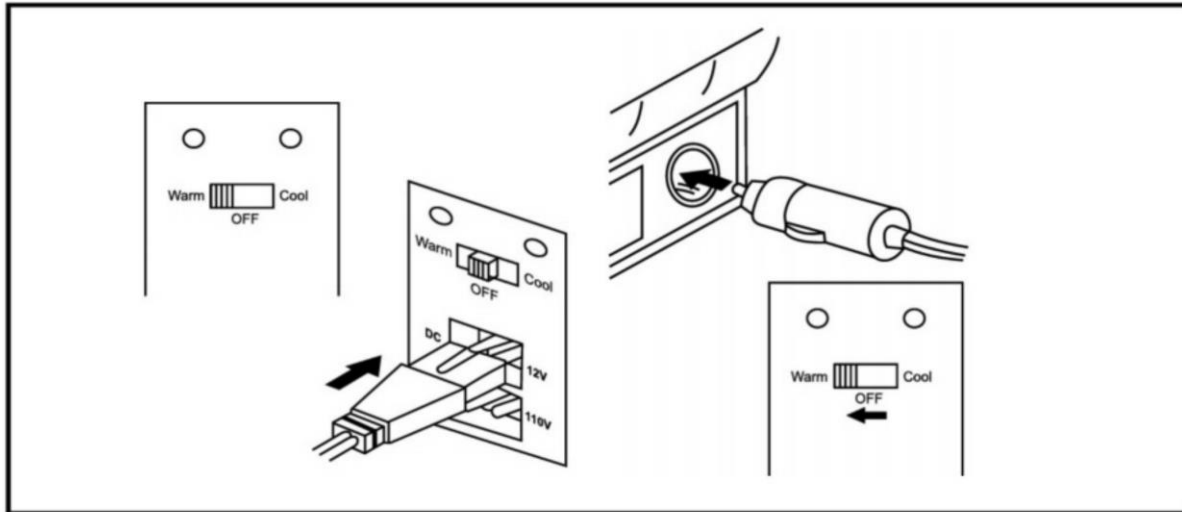
## WIRING DIAGRAM



## OPERATION GUIDE

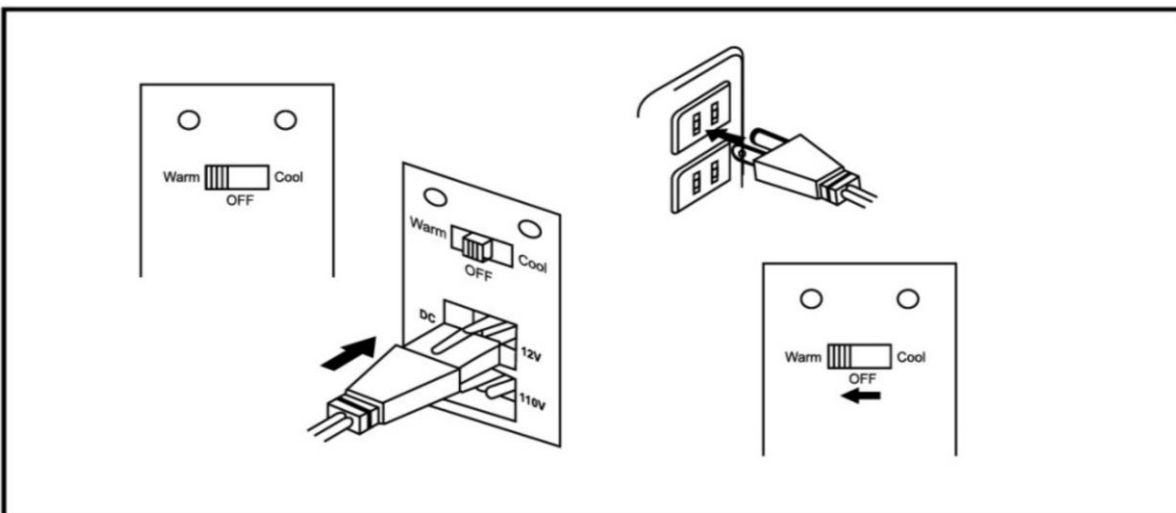
### I. When car power is used (DC 12V)

- i. The car engine is required to run to ensure good voltage supply to the fridge.
- ii. Plug of the DC power cord into the vehicle 12V outlet securely.
- iii. Switch the power switch to the DC side and select either cooling or heating mode.



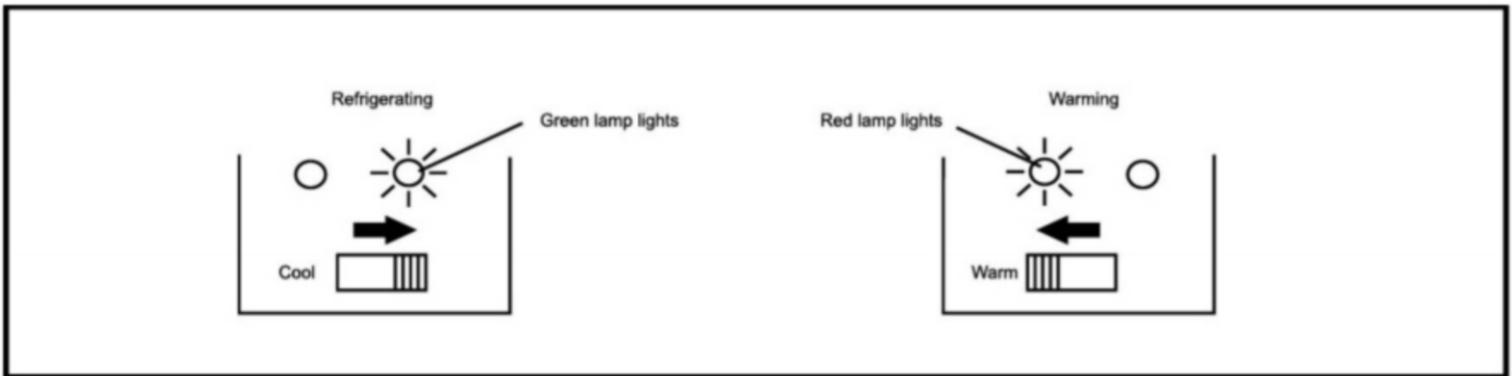
### II. When the household power is used (AC 230V)

- i. Plug the AC mains lead into the household power outlet securely
- ii. Plug in the appliance and turn the power on
- iii. Switch the power switch to the AC side and select either cooling or heating mode.



### III. Cooling and heating operation

- i. First make sure the switch at the side of the cooler and warmer is in OFF state.
- ii. Insert the plug of the power cord into the socket of the unit.
- iii. Insert the plug of the cigarette lighter into the cigarette lighter in the car.
- iv. **Cooling:** set the power switch at the position of COOLING.
- v. The green indicator will be on indicating the unit is in cooling mode.
- vi. **Heating:** set the switch at the position of Heating. The red indicator will be on indicating the unit is in heating mode.



#### Tips and tricks for electronic refrigerator :

1. The closer to the thermoelectric element inside the cooler, the better cooling effect is.
2. For very cold drinks, icing effect is better with aluminum canned drinks.
3. For fresh fruits (e.g. watermelon), cut the fruit into smaller pieces first, and then cover them with cling film and put the flat surface close to the inner wall of refrigerator.
4. For a ready meal, put the meal in a metal dish first, and then cover it with cling film and put on the base of the unit close to the inner wall of the refrigerator.
5. For refrigeration of cosmetic items or medicine, put them in the middle or lower shelf, the closer to thermoelectric cooler, the better cooling effect is.

#### Temperature reference for refrigeration and freshness

1. When items are put into the refrigerator for cold storage, the temperature in the refrigerating chamber should be between 3-8°C to keep quality and flavor and prolong freshness.
2. The colder the ambient temperature is, the colder the unit will operate internally, for example a n unheated room would possibly make the items freeze internally.
3. Recommended to keep the room ambient above 18°C and below 25°C for best operation. Ensure ventilation at all times.

## APPLICATION

### Applicable place:

Vehicle, home, boat, office etc. Applicable refrigerating object: Fruit, beer, canned soda, cosmetics, make-up skin care, make-up etc.

### Inapplicable refrigerating object:

Ice cream, frozen food, chemical agent, raw fish and meat (cooked food can be stored for 5 - 8 hours).

## CLEANING & MAINTENANCE

1. Turn off the cool-heat switch first then unplug to cut off the power supply. Do not unplug with the control switch in the on position.
2. Use a soft warm cloth with a little non-haz detergent to wipe surfaces and clean the mini fridge surface, or simply use a soft cloth with warm water to wipe the inside of fridge regularly.
3. Do not expose the fridge to water directly, especially, water must not splash on the working parts, e.g. the heat dissipation outlet or the switch or socket, the electrical PCB may be damaged, or even electric shock may occur.



## SAFETY WARNINGS

1. Any covering, e.g. towel or clothes, is prohibited on the rear of the fan outlet to prevent the fan from overheating and causing the item to become faulty.
2. AC / DC power cables must be connected correctly to the relevant input on the back of the item.
3. The product must not be in close proximity to inflammable or explosive substances.
4. Non-professionals are prohibited to open the machine for repair.
5. It is prohibited to directly push the switch from the cooling position to the warming position and vice versa. Before switching between the two modes, the switch must be put in to the OFF position and the item should be shut down for 30 minutes at least with the door open so the temperature is neutral.
6. Don't rinse it with water. Always keep the item clean and dry.
7. Prevent the appliance from being put upside down.
8. Please don't drop or shock the unit.
9. Any fresh food should not be stored inside before being correctly packaged.
10. The appliance should not be exposed to rain, showers or running water.
11. Children should be supervised to ensure that they do not play with the appliance.
12. Ventilation must be ensured around the product during use for ventilation.
13. Do not use any electrical appliance inside of the product.
14. Some people (including children) are prohibited to use the product, e.g. any person who has any physical, sensory or mental defect, or person who lacks experience or knowledge, unless they get supervision and instruction about how to use the product safely.

# TROUBLESHOOTING

The most common issues experienced by Subcold users are caused by voltage issues. The following problems give an overview of possible errors and instructions of how to check the unit.

CONCERN	POSSIBLE REASON	CHECK
Blinking Green Light in the back of unit	Unit fan not rotating	Contact Customer Support for assistance. Consult this user manual or go to <a href="http://subcold.com">subcold.com</a>
Fan making a loud noise	Check for fan obstruction or failure	Check the back to see if there is at least 10cm clearance around fan and vents. If issue persists, contact Customer Support.
Unit doesn't cool contents as advertised.	Most Subcold Units cool contents down anywhere from 16-20 degrees	Consult your Unit's specific cooling information found in this user manual. If cooling temperature is significantly less than what is listed for your unit, contact Customer Support.
<ul style="list-style-type: none"> <li>Unit not cooling and light off in the back</li> <li>Unit stopped working</li> </ul>	Main power source failure	<p>Check outlets first.</p> <p><b>If unit is not turning in your home/office:</b> Try plugging the unit in to your car using the DC power cord.</p> <p><b>If unit is not turning on in your car/motor vehicle:</b> Try plugging the unit into a 100-120 volt outlet in your home/office using the included AC power cord.</p> <p>If problem persists, contact Customer Support.</p>
<ul style="list-style-type: none"> <li>Ice is building inside the unit, around the center screws in the back.</li> <li>Water collecting at the bottom of the unit.</li> <li>Water drip or leakage.</li> </ul>	<ul style="list-style-type: none"> <li>Check that the door is clean and free from obstruction and is closed securely.</li> <li>Water Condensation. It is normal for thermo-electric units, while in cooling mode, to produce water droplets that may freeze in the back and then melt.</li> <li>Water condensation is normal in a thermo-electric unit. Check if water accumulation is due to condensation.</li> </ul>	<p>While the unit is off and at room temperature, take a soft cloth and gently wipe down the inside of your unit to remove any moisture that may accumulate.</p> <p>This is recommended once or twice a week</p> <p>If issue persists, contact Customer Supports for assistance</p>

- Please confirm the sockets and the power cords to be tight when the fridge does not work; A loose socket will result in the cords and sockets over heating and possible damage to the item
- Please make the following measures if the cooling effect is not good:
  - Ensure the ventilation surrounding the item is sufficient 10cm in all sides and above the item.
  - Ensure the door is closed as much as possible and the temperature if recorded is done so from the center rear of the shelf.
  - Check the switch is in the correct mode and the corresponding Green / Red Light is illuminated.
  - If overworked the unit may need to be powered off to reset, switch off for 1 hour and re-select the cooling or heating mode and power input in AC or DC
  - If the fan is faulty or there is no cooling effect at all. Please contact a professional for repair.

## SPECIFICATIONS AND PARAMETERS

Model	CLASSIC4/ULTRA6/ULTRA10/ULTRA15
Capacity	4/6/10/15L
Output Voltage (AC)	230V
Power (AC)	Cool 50W / Warm 45W
Output Voltage (DC)	12V
Power (DC)	Cool 45W / Warm 40W
Cooling	18°C Below Ambient
Warming	60-65°C





## Frequently Asked Questions

### ❑ **What can I keep in my Subcold product?**

Anything you wish to keep warm or cold!

For warming, our customers love to keep their hot lunches and soups warm; and to warm wash cloths. Our products are best when already-warm items are put into it. To warm a completely cold item can take several hours.

For cooling, our customers often store breast milk, beauty and skincare products, cold drinks, sandwiches, and more!

### ❑ **What type of USB power bank (portable charger) can I use with this model?**

Only the Subcold Classic 4L is capable of being powered with a (minimum) 2A power bank and comes with an included USB cord for increased portability. When using USB power, this unit operates in ECO mode. (NOTE: do not use a computer USB port as they don't output 2A.)

### ❑ **What does “ECO mode” mean on my Classic-4L?**

ECO mode is a low-power mode when the unit uses less energy. ECO-mode only applies to the Classic 4L when using a USB power bank and is automatically switched to ECO-mode cooling

### ❑ **Can I leave my Subcold Mini Fridge plugged in every day, 24 hours per day?**

Yes, you can leave your Subcold fridge plugged into an AC outlet in your home or office. We recommend disconnecting your from your vehicle when you turn off your vehicle.

### ❑ **How can I get a replacement power cord?**

Subcold replacement cords are available on our website directly at [Subcold.com](http://Subcold.com)

### ❑ **Can I adjust the thermostat on my cooler/warmer?**

No adjustment can be made to the temperature setting. This is due to the thermo-electric design and the PELTIER effect

### ❑ **Can my mini fridge keep things frozen?**

This series of mini fridge is not designed to keep things frozen. These are designed for a positive temperature only and not to freeze the contents loaded inside.

### ❑ **Does the back of a Subcold get very hot?**

Thermo-electric units have two sides, so when a DC electric current flows through the device, it moves heat from one side to the other, so that one side gets cooler. Make sure there is at least a 10cm clearance for necessary air flow and circulation. If the back of your mini fridge gets very hot, turn off the unit, and contact Customer Support.

### ❑ **Will my Subcold mini fridge make a lot of noise?**

Subcold coolers/warmers are not noisy thanks to on going advanced technology—our unique cooling system that makes our thermo-electric units quiet, yet powerful and efficient. The fan makes a slight whirring sound and this sound is normal. However, if you hear a very loud sound, turn off the unit, and contact Customer Support.

### ❑ **Are interior shelves removable?**

Yes, the shelf and door holders are removable. To remove the shelf, gently Slide it out. To remove the door holder, gently lift upwards from slots.

### ❑ **Does this unit come with a warranty?**

Yes, each Subcold product comes with a standard 1-year warranty. Please refer to this User Manual or contact us via our website at [subcold.com](http://subcold.com) for more information

*For FAQs and more information, please visit:*



[www.subcold.com](http://www.subcold.com)



[@subcoldltd](https://www.facebook.com/subcoldltd)



01506415564 (UK Office Hours)



[@subcold\\_official](https://www.instagram.com/subcold_official)



[sales@subcold.com](mailto:sales@subcold.com)

