



MINI FRIDGE

MODELS: Pro4 and Pro6



PLEASE READ AND FOLLOW ALL SAFETY RULES AND OPERATING INSTRUCTIONS BEFORE USE

INSTRUCTION MANUAL

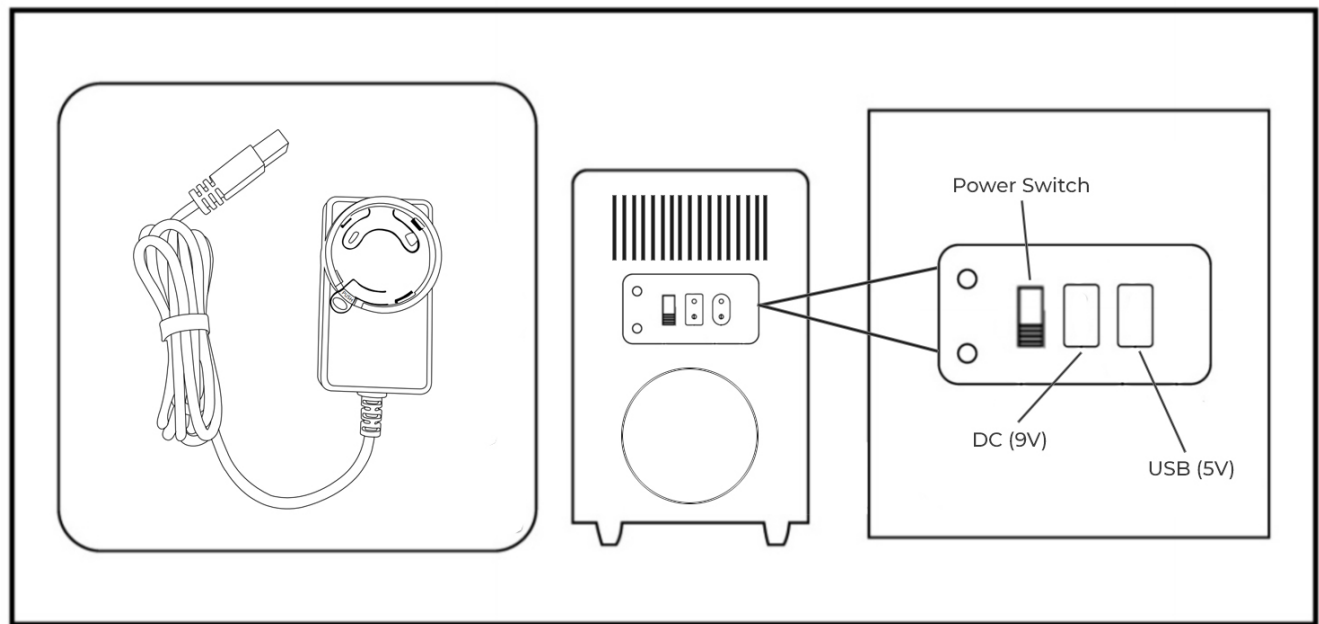
CONTENTS

Product Features	2
Operation Guide	3
Adapter Installation	4
Application	6
Cleaning & Maintenance	6
Safety Warnings	6
Troubleshooting	7
Specifications and Parameters	8
Frequently Asked Questions	9

Please read the manual carefully before using the unit

PRODUCT FEATURES

1. The mini fridge uses advanced thermoelectric cooling technology. It is characterised by quietness, free of CFC, low power consumption, high efficient cooling and heating function, long operating life, nice appearance, small size and easy to carry, it is also environmentally friendly.
2. Application of the new concept and technology the PELTIER effect makes this product break away from cumbersome and noisy compressor and oxygen fluoride pollution.
3. The product, characterised by a long operating life, small size and being easy to carry, is fit for use indoors and outdoors (under cover).
4. The thermoelectric cooler can last a long time if used correctly and maintained well and operated according to the manual; a strong refrigerating ability makes the temperature around 18°C lower than current ambient temperature.



OPERATION GUIDE

When the household power is used

- i. Plug the power lead into the household power outlet securely
- ii. Plug in the appliance and turn the power on
- iii. Good air circulation is necessary for the operation of the fridge. The product must not be blocked or covered during use

When the USB power is used

- i. Plug the USB lead into the USB power outlet securely
- ii. The fridge will require a USB outlet with a minimum current output of 2A
- iii. If using in a vehicle, the engine is required to run to ensure good voltage supply to the fridge
- iv. Plug into the USB marked socket on the fridge
- v. Good air circulation is necessary for the operation of the fridge. The product must not be blocked or covered during use.

Tips and tricks for electronic refrigerator :

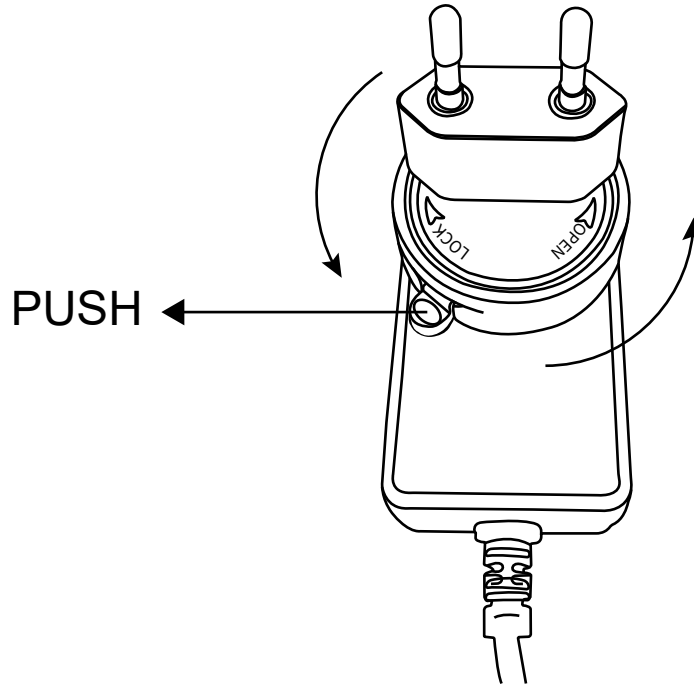
1. The closer to the thermoelectric element inside the cooler, the better cooling effect is.
2. For very cold drinks, icing effect is better with aluminum canned drinks.
3. For fresh fruits (e.g. watermelon), cut the fruit into smaller pieces first, and then cover them with cling film and put the flat surface close to the inner wall of refrigerator.
4. For a ready meal, put the meal in a metal dish first, and then cover it with cling film and put on the base of the unit close to the inner wall of the refrigerator.
5. For refrigeration of cosmetic items or skincare products, put them in the middle or lower shelf, the closer to thermoelectric cooler, the better cooling effect is.

Temperature reference for refrigeration and freshness

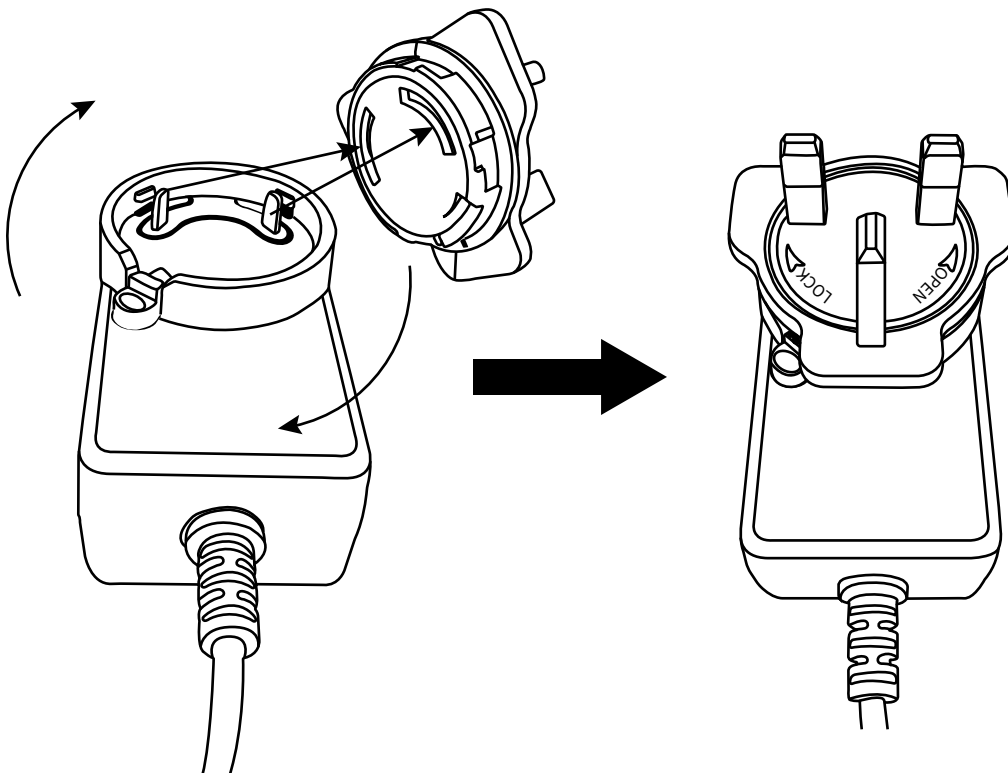
1. When items are put into the refrigerator for cold storage, the temperature in the refrigerating chamber should be between 3-8°C to keep quality and flavour and prolong freshness.
2. The colder the ambient temperature is, the colder the unit will operate internally, for example a n unheated room would possibly make the items freeze internally.
3. Recommended to keep the room ambient above 18°C and below 25°C for best operation. Ensure ventilation at all times.

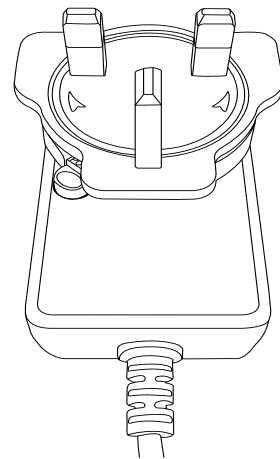
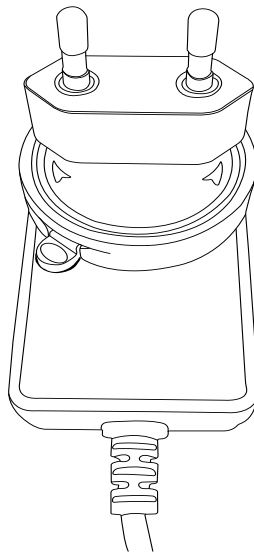
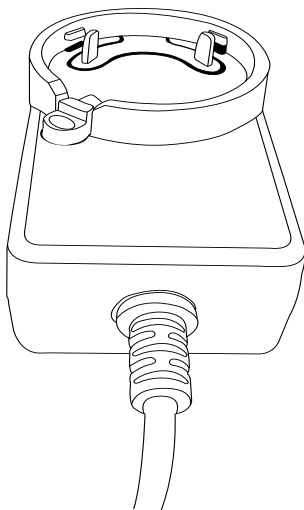
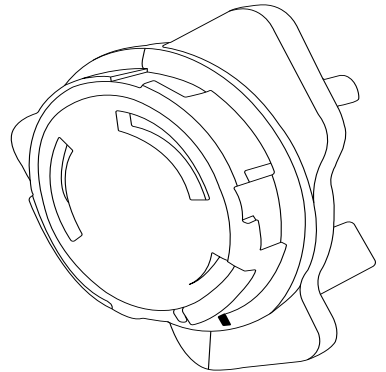
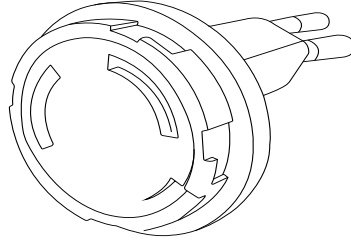
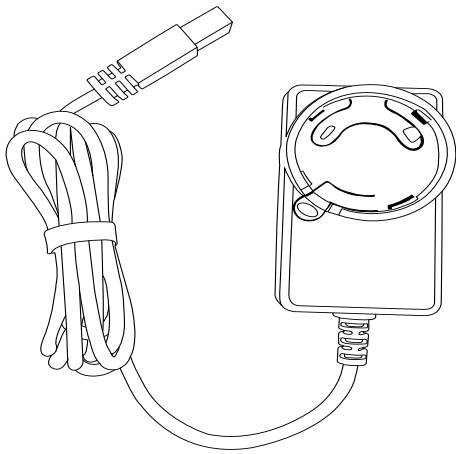
ADAPTER INSTALLATION

Remove the plug: press the push key and turn the plug counterclockwise at the same time, pull plug off



Install the plug: align it with the clamping position and directly turn it clockwise, installation is complete





APPLICATION

Applicable place:

Vehicle, home, boat, office etc. Applicable refrigerating objects: Fruit, beer, canned soda, cosmetics, make-up skin care, etc.

Inapplicable refrigerating object:

Ice cream, frozen food, chemical agent, raw fish and meat (cooked food can be stored for 5 - 8 hours).

CLEANING & MAINTENANCE

1. Turn off the switch first then unplug to cut off the power supply. Do not unplug with the control switch in the on position.
2. Use a soft warm cloth with a little non-haz detergent to wipe surfaces and clean the mini fridge surface, or simply use a soft cloth with warm water to wipe the inside of fridge regularly.
3. Do not expose the fridge to water directly, especially, water must not splash on the working parts, e.g. the heat dissipation outlet or the switch or socket, the electrical PCB may be damaged, or even electric shock may occur.



SAFETY WARNINGS

1. Any covering, e.g. towel or clothes, is prohibited on the rear of the fan outlet to prevent the fan from overheating and causing the item to become faulty.
2. AC / USB power cables must be connected correctly to the relevant input on the back of the item.
3. The product must not be in close proximity to inflammable or explosive substances.
4. Non-professionals are prohibited to open the machine for repair.
5. Don't rinse it with water. Always keep the item clean and dry.
6. Prevent the appliance from being put upside down.
7. Please don't drop or shock the unit.
8. Any fresh food should not be stored inside before being correctly packaged.
9. The appliance should not be exposed to rain, showers or running water.
10. Children should be supervised to ensure that they do not play with the appliance.
11. Ventilation must be ensured around the product during use for ventilation.
12. Do not use any electrical appliance inside of the product.
13. Some people (including children) are prohibited to use the product, e.g. any person who has any physical, sensory or mental defect, or person who lacks experience or knowledge, unless they get supervision and instruction about how to use the product safely.

TROUBLESHOOTING

The most common issues experienced by Subcold users are caused by power issues. The following problems give an overview of possible errors and instructions on how to check the unit.

CONCERN	POSSIBLE REASON	CHECK
Blinking Green Light in the back of unit	The unit fan is not rotating	Contact Customer Support for assistance. Consult this user manual or go to subcold.com
Fan making a loud noise	Check for fan obstruction or failure	Check the back to see if there is at least 10cm clearance around fan and vents. If issue persists, contact Customer Support.
Unit doesn't cool contents as advertised.	Most Subcold Units cool contents down anywhere from 16-20 degrees	Consult your unit's specific cooling information found in this user manual. If cooling temperature is significantly less than what is listed for your unit, contact Customer Support.
<ul style="list-style-type: none"> Unit not cooling and light off in the back Unit stopped working 	Main power source failure	<p>Check the power outlets first.</p> <p>If the unit is not turning in your home/office on AC mode: Try plugging the unit in to a USB outlet using the included DC USB power cord.</p> <p>If the unit is not turning on in a USB DC power outlet / vehicle: Try plugging the unit into a 220-240V AC outlet in your home/office using the included AC power cord.</p> <p>If problem persists, contact Customer Support.</p>
<ul style="list-style-type: none"> Ice is building inside the unit, around the center screws in the back. Water collecting at the bottom of the unit. Water drip or leakage. 	<ul style="list-style-type: none"> Check that the door is clean and free from obstruction and is closed securely. Water condensation. It is normal for thermoelectric units, while in cooling mode, to produce water droplets that may freeze in the back and then melt. Water condensation is normal in a thermoelectric unit. Check if water accumulation is due to condensation. 	<p>While the unit is off and at room temperature, take a soft cloth and gently wipe down the inside of your unit to remove any moisture that may accumulate. Check the humidity levels</p> <p>This is recommended once or twice a week</p> <p>If issue persists, contact Customer Support for assistance</p>

- Please confirm the power cords are firmly in the sockets if the fridge does not work; A loose socket will result in the cords and sockets over heating and cause possible damage to the item. Do not force the power cords into the product as this may cause damage to the power board.
- Please take the following measures if the cooling effect is not good:
 - Ensure the ventilation surrounding the item is sufficient, 10cm around all sides and above the item.
 - Ensure the door is closed as much as possible and the temperature if recorded is done so from the center rear of the shelf.
 - Check the switch is in the correct mode and the corresponding light is illuminated.
 - If overworked the unit may need to be powered off to reset, switch off for 1 hour.
 - If the fan is faulty or there is no cooling effect at all. Please contact a professional for repair.

SPECIFICATIONS AND PARAMETERS

Model	Pro4 / Pro6
Capacity	4L / 6L
Voltage (AC)	100V-240V
Power (USB/AC)	6.5W / 20W
Voltage (USB/DC)	5 V / 9 V
Cooling	18°C Below Ambient Temperature



Frequently Asked Questions

What can I keep in my Subcold product?

Anything you wish to keep cold!

Our customers often store breast milk, beauty and skincare products, cold drinks, sandwiches, and more!

Can I leave my Subcold Mini Fridge plugged in every day, 24 hours per day?

Yes, you can leave your Subcold fridge plugged into an AC outlet in your home or office. We recommend disconnecting your from your vehicle when you turn off your vehicle.

How can I get a replacement power cord?

Subcold replacement cords are available on our website directly at Subcold.com

Can I adjust the thermostat on my cooler/warmer?

No adjustment can be made to the temperature setting. This is due to the thermoelectric design and the PELTIER effect

Can my mini fridge keep things frozen?

This series of mini fridge is not designed to keep things frozen. These are designed for a positive temperature only and not to freeze the contents loaded inside.

Does the back of a Subcold fridge get very hot?

Thermoelectric units have two sides, so when a DC electric current flows through the device, it moves heat from one side to the other, so that one side gets cooler. Make sure there is at least a 10cm clearance for necessary air flow and circulation. If the back of your mini fridge gets very hot, turn off the unit, and contact Customer Support.

Will my Subcold mini fridge make a lot of noise?

Subcold mini fridges are not noisy thanks to on going advanced technology—our unique cooling system that makes our thermoelectric units quiet, yet powerful and efficient. The fan makes a slight whirring sound and this sound is normal. However, if you hear a very loud sound, turn off the unit, and contact Customer Support.

Are interior shelves removable?

Yes, the shelf and door holders are removable. To remove the shelf, gently Slide it out. To remove the door holder, gently lift upwards from slots.

Does this unit come with a warranty?

Yes, each Subcold product comes with a standard 1-year warranty. Please refer to this User Manual or contact us via our website at subcold.com for more information.

For FAQs and more information, please visit:



www.subcold.com



@subcoldltd



01506415564 (UK Office Hours)



@subcold_official



sales@subcold.com



Subcold Ltd
1 Drummond Square
Brucefield Industrial Estate
Livingston, West Lothian
EH54 9DH, United Kingdom

Authorised Representative:
Eurolink Europe Compliance Limited
25 Herbert Place, Dublin
D02 AY86, Republic of Ireland

