

BARCOOL

MINI FRIDGE

Model: COSMO 4L



PLEASE READ AND FOLLOW ALL SAFETY RULES AND OPERATING INSTRUCTIONS BEFORE USE

INSTRUCTION MANUAL

CONTENTS

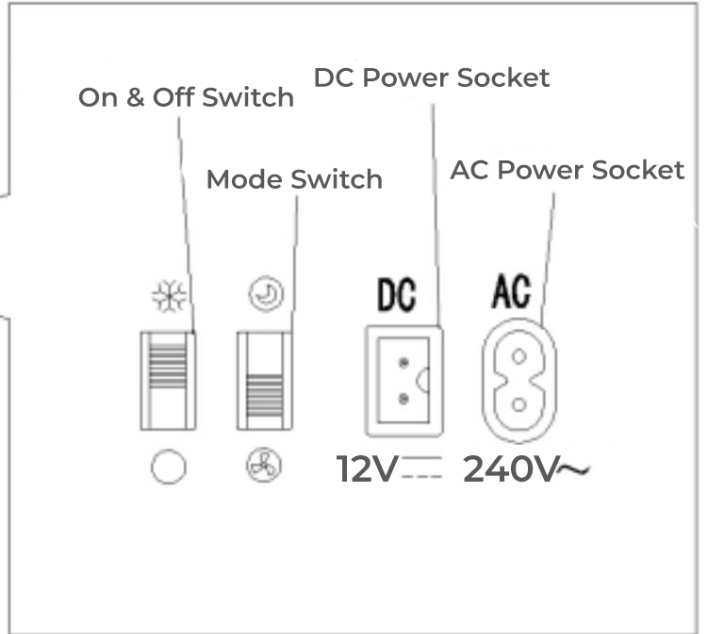
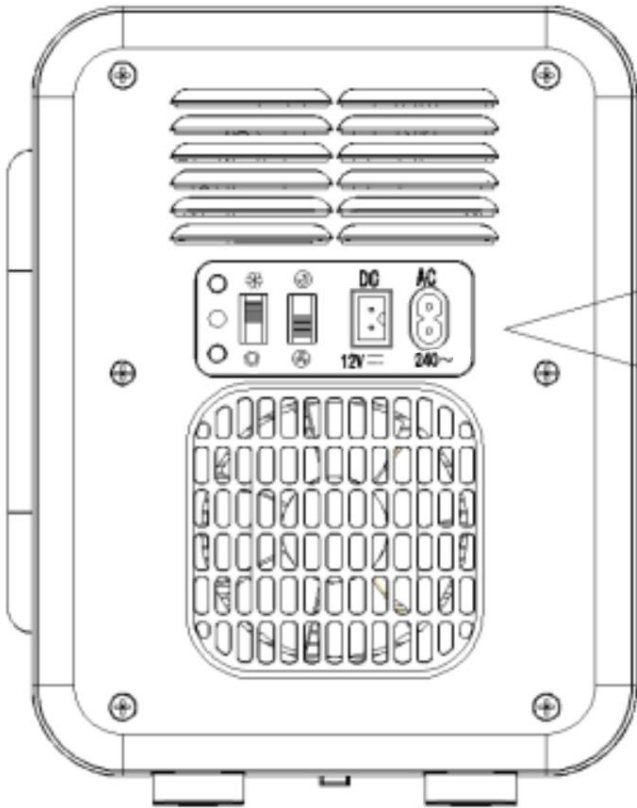
Important Safeguards.....	2
Illustration for Power Supply.....	3
Product Description.....	4
Product Parameter.....	4
Operation Instruction.....	5
Tips for Operation.....	7
Defrost.....	7
Troubleshooting tips.....	8
Cleaning and Maintenance.....	8
Service.....	8
Guarantee.....	9

Thank for purchasing our product and thank you for placing your confidence in us. Please read this manual carefully before using. Follow the instructions and keep this handy for future reference. Please follow the operating instructions and safety notices in the manual. If any issues arise, do not fix it yourself or hand it to the after sales service center which has not been authorized. Please contact the local authorized service center.

IMPORTANT SAFEGUARDS

1. If the power cord is damaged, do not touch the power cord to avoid danger.
2. When using the product, please note that the voltage used is absolutely correct (the applicable voltage of this product is clearly marked on the product nameplate).
3. The vehicle 12V function can be only activated when the vehicle is running. Be sure to turn off its power and unplug the vehicle power cord after the vehicle stops running.
4. The product should not be used for transporting or loading acid-corrosive items, and the product should not be cleaned with corrosive solvents.
5. Do not block the the ventilation openings or fan in normal use.
6. Use this product in strict accordance with the instructions, please do not disassemble the internal parts without permission.
7. The product should be stored in a place which is clean, and a ventilation channel with a width of 10cm should be kept around all sides. And do not put the product at the wet areas or the place near heat sources, such as electric stoves, LPG stoves, heat pipes or flames.
8. The Mini Fridge should be cleaned regularly for best operation.
9. The Mini Fridge is not a normal refrigerator, and it is not to be used for fresh meat etc.
10. Please keep the door openings to a minimum to keep the contents cool and fresh. Ensure the door is correctly latched when not in use
11. The product should not be used by persons with reduced physical, sensory or mental capabilities or lack of experience and knowledge if they have not been given supervision or instruction concerning use of the appliance in a safe way and they understand the hazards involved.
12. Children should be supervised to ensure that they cannot play with appliances.

Illustration for Power Supply



Product Description

1. This mini fridge is of simple appearance, compact, easy to carry, as well as a long service life and low power consumption. It can be used for home and travel use
2. This product is fully embodied concept of "Green and Environmentally-friendly". And this product uses semiconductor refrigeration technology, it has no bulky compressor and no refrigerant to avoid noise and fluorine pollution. It is an environmentally-friendly refrigeration product without any harmful pollution.
3. This product is suitable to be used in many applications and is versatile and compact, light and convenient.
4. This product has simple structure and long service life, and it is easy to maintain, and is of low power consumption and strong shock-resistant capability.
5. This product has a long service life, and the life of the cooling module can reach up to 50000 hours.

Product Parameters

NAME	Mini Fridge
MODEL	COSMO 4L
RATED VOLTAGE	AC 240V / DC 12V
RATED POWER	48W
WORKING PRINCIPLE	Semiconductor refrigeration technology
COOLING TEMPERATURE	15 °C - 18 °C lower than the current ambient temperature



Front



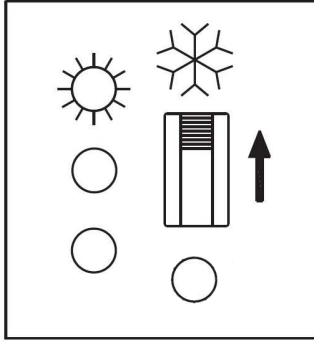
Side



Back

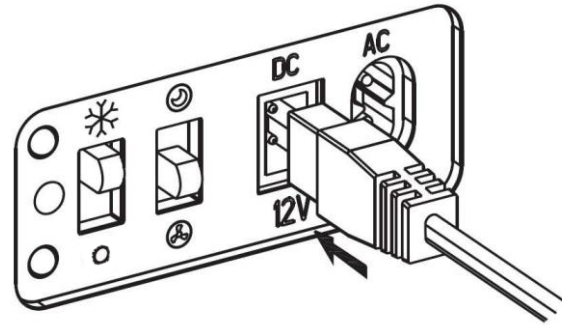
Operation Instruction

1. Vehicle use (DC 12V)

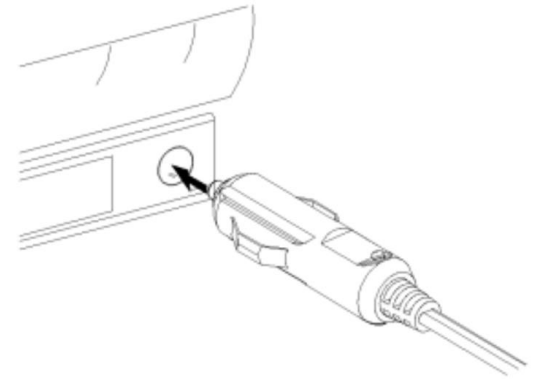


(1) Turn to the “Cool” setting.

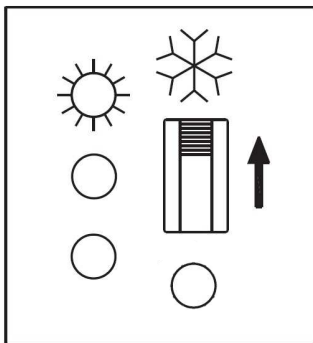
(3) Directly insert the DC cable power cord into the 12V socket in the vehicle.



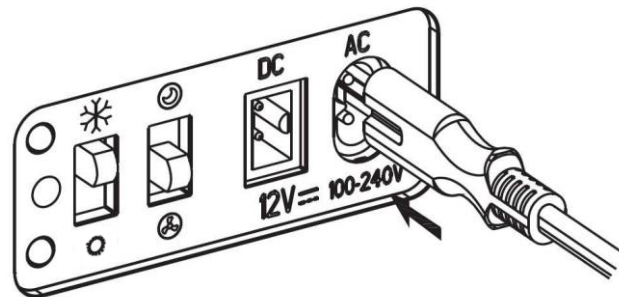
(2) Align the DC cable with the socket of the vehicle (DC12V) , and then insert it fully into position.



2. Home use (AC - 240V)

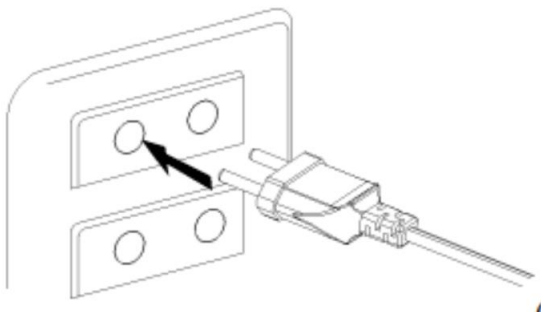


(1) Turn to the “Cool” setting.



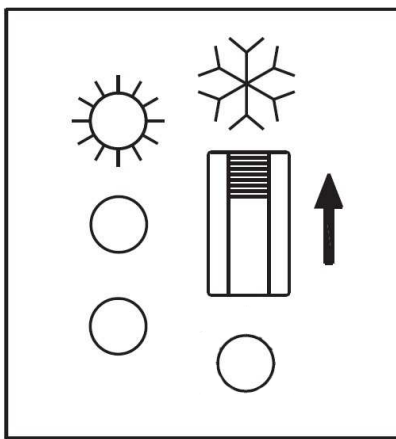
(2) Insert one end of the household power cord into the AC socket of the Mini Fridge (240V). insert fully into position.

(3) Insert the other end of the household power cord into the household outlet socket.



3. Operation for "Cool" Mode

1. When cooling, turn the "Switch" to "Cool" setting, the green indicator lights up and the Mini Fridge starts cooling operation.
2. When you need to turn off the Mini Fridge, turn the "Switch" to the "OFF" position, and the Mini Fridge will stop working. If the mini fridge will remain off for a long time. Disconnect and switch off at the wall socket.



Cool: Green indicator lights up

4. Operation for "Normal mode" and "Silent mode"

1. **Normal mode:** The fan runs at higher speed under normal mode, it is recommended to select this mode in the daytime or in spaces where noise is not a concern.
2. **Silent mode:** The fan runs at lower speed under normal mode, it is recommended to select this mode at night or in quiet spaces such as bedrooms.

Tips for Operation

The closer to the cooling position, the better the cooling effect.

Metal cans can be selected for cooling drinks for better results.

4. Cosmetics and other products that are closer to the inner wall of the Fridge - The closer to the cooling module, the better the cooling effect.

SUGGESTED TEMPERATURE

1. **Fruits:** The suggested temperature for refrigerating fruits is about 5-10 ° C, which can maintain the quality and flavor of the fruits and extend freshness.
2. **Beer:** The suggested temperature for storing beers should be between 0-10 °C, preferably about 6 °C.
3. **Cosmetics / skincare products:** The suggested temperature for storing cosmetics or skincare products generally should be between 8-15 ° C. Too high or too low temperature will deteriorate the cosmetics, and the cosmetics (skincare products) which are cooled down to this temperature range will have a good cooling effect on the skin.

SCOPE OF APPLICATION

1. Application places: Car, home, office, dormitory and cosmetics salon etc.
2. Suitable for basic refrigeration: Fruits, bottled/canned beverages and cosmetics etc.
3. Not suitable for long storage of refrigeration: Frozen foods such as ice cream and others, fresh meat etc.

Troubleshooting Tips...

1. **If the Mini Fridge is not powering on, please follow the steps below to operate:**
 - a. Check and make sure the power cord is properly connected to the power outlet socket.
 - b. Check and make sure the Fridge is turned on.
 - c. Check and make sure the AC/DC switch of the Fridge is selected correctly.
 - d. Check and make sure the outlet is properly connected and turned on and the fuse is OK.

2. **If the cooling effect is not good, please check according to the following measures:**
 - a. Check and make sure the fan is running normally. If not, please call for service to replace the fan. It is recommended to clean / Hoover the fan out every 3-6 months.
 - b. Touch the rear cooling element screws inside the Mini Fridge to check if it is cold. Call service to replace the cooling module or PCB if there is no cooling effect.

Cleaning and Maintenance

1. Before performing cleaning and maintenance, the "Switch" must be firstly turned off and then unplug to disconnect the power supply.
2. Wipe any dirt and dust on the surface of the body with a soft clean cloth with detergent. You can simply use a soft cloth with warm water to clean the inside of the appliance.
3. The outer body must not be rinsed with water, especially the parts of the body such as the ventilation openings of the switch socket, otherwise it will cause damage to the product and a risk of electric shock.

Service

Please call our customer service if you encounter problems during use.

1. Please read this manual carefully before using it, pay special attention to "IMPORTANT SAFEGARDS", and save this manual for future reference.
2. If this product is given to others, please give it together with this instruction manual.
3. The upgrade and specification of this product are subject to change without notice.

The form and color of the actual product may be slightly different from those shown on the manual!

GUARANTEE

The customers can contact after-sales, explain the reason for the return and reach an "Agreement on Returning Goods". Customers who purchase the product will enjoy the comprehensive service in accordance with the relevant national regulation "Provisions on the Liability for the Repair, Replacement and Return of Goods".

ENVIRONMENT FRIENDLY DISPOSAL



Please help to protect the environment

Please remember to respect the local WEEE recycling regulations:

Place any faulty electrical equipment to an appropriate local waste disposal center.

For FAQs and more information, please visit:



www.subcold.com



[@subcoldltd](https://www.facebook.com/subcoldltd)



01506415564 (UK Office Hours)



[@subcold_official](https://www.instagram.com/subcold_official)



Info@subcold.com

UK customers

Subcold Ltd

1 Drummond Square
Brucefield Industrial Estate
Livingston, West Lothian
EH54 9DH
United Kingdom

EU customers

Eurolink Europe

Compliance Limited

25 Herbert Place
Dublin D02 AY86
Republic of Ireland

BARCOOL