



## Dodge Jeep Chrysler SKIM SKREEM Module Removal

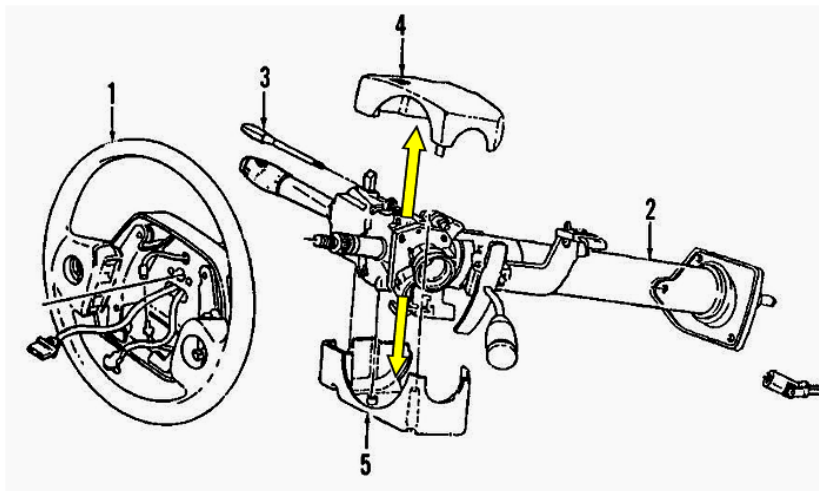
**Application** This manual works for all Dodge Jeep Chrysler Gas vehicles before 2009

**Problem** SKIM security removal

**Note** This procedure **MUST** be done before the installation of the module.

**Solution** After receiving the module from ARES Technologies with disabled SKIM, follow the instructions before any attempt to install the module:

1. Disconnect and isolate the battery negative cable.
2. Grasp the tilt steering column knob firmly and pull it straight rearward to remove it from the tilt adjuster lever on the left side of the column.
3. From below the steering column, remove the two outboard screws that secure the upper column shroud to the lower shroud
4. Using hand pressure, push inward on both sides of the upper shroud above the parting line of the lower shroud to release the snap features that secure the two shroud halves to each other.
5. Remove the upper shroud from the lower shroud and the steering column.
6. Reinstall the upper shroud on the lower shroud and steering column.

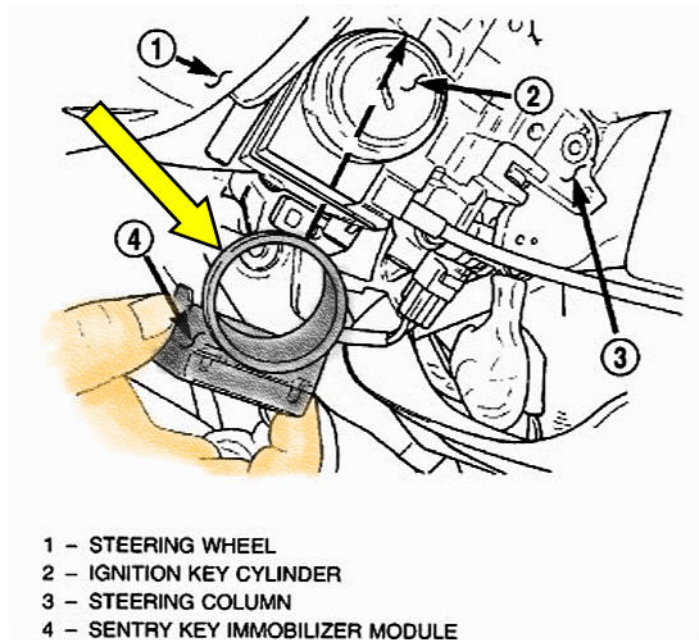


Open the upper and lower ignition steering column shroud ▲





7. Remove the lower shroud from the steering column.
8. Disconnect the wire harness connector from the Sentry Key Immobilizer Module (SKIM).
9. Remove the screw that secures the SKIM to the steering column.
10. Disengage the antenna ring from around the ignition lock cylinder housing and remove the SKIM.



**Note** After successful removal of the SKIM/SKREEM module, you may install the programmed pcm and attempt to start.

