

The image features a dark blue background with a subtle, intricate pattern of white contour lines, resembling a topographic map. The lines are irregular and flow across the page, creating a sense of depth and texture. In the center, the word "SEIKO" is written in a bold, white, sans-serif font. Below it, the text "SINCE 1881" is centered in a smaller, white, sans-serif font. At the bottom, the text "2020 FULL LINE CATALOG" is centered in a white, sans-serif font.

**SEIKO**

SINCE 1881

2020 FULL LINE CATALOG

**03** PROSPEX

**20** PRESAGE

**32** COUTURA

**40** DIAMONDS

**48** CRYSTALS

**54** ESSENTIALS

**90** SYMBOLS

**91** SEIKO TECHNOLOGY

**92** BRACELET SIZING GUIDE

**94** BARCODES

**104** INDEX



## Life is the ultimate adventure.

Designed for those who live with daring and style, the Seiko Prospex Collection meets every challenge with technological excellence and iconic design. This is the timepiece for the thrill-seekers, the risk takers, for those who seize each moment and demand a watch that they can rely on whatever the situation. A longtime leader in high-intensity watches, Seiko continues to build on the legacy of such landmark achievements as its 1965 first diver's watch to provide superior timekeeping undersea, on land or in the air – for precision and dependability when it truly counts. Among Fall 2020 highlights are extensions of the popular 1982 hybrid diver's watch reinterpretation in new rugged colors, and a number of styles featuring upgraded ceramic bezels and sapphire crystals. Among these are designs that highlight Seiko's mastery in dial design, including contemporary 3-D pressed patterns and two Special Editions with stunningly gradated blue dials evoking the deep sea world of the manta ray. With advanced automatic, solar and quartz movements, the Prospex Collection includes styles following ISO standards for deep sea diving, reflecting Seiko's status as an official partner of PADI, the world's leading scuba diving training organization.

 **PROSPEX**

NEW



**SRPE33**  
**SPECIAL EDITION**  
44.0mm. 21,600 vibrations per hour. 41-hour power reserve. Ceramic bezel. Magnified date calendar. Manta Ray patterned dial. \*625



NEW



**SRPE39**  
**SPECIAL EDITION**  
45.0mm. 21,600 vibrations per hour. 41-hour power reserve. Ceramic bezel. Magnified day/date calendar. Manta Ray patterned dial. \*625





**SRPE07**  
**SPECIAL EDITION**  
 45.0mm. 21,600 vibrations per hour. 41-hour power reserve. Ceramic bezel. Magnified day/date calendar. Blue wave patterned dial. Silicone strap. **€595**



**SRPE05**  
 45.0mm. 21,600 vibrations per hour. 41-hour power reserve. Ceramic bezel. Magnified day/date calendar. Patterned dial. Silicone strap. **€595**



**SRPE03**  
 45.0mm. 21,600 vibrations per hour. 41-hour power reserve. Ceramic bezel. Magnified day/date calendar. Patterned dial. **€625**





**SRPD21**  
**SPECIAL EDITION**  
 45.0mm. 21,600 vibrations per hour. 41-hour power reserve.  
 Day/date calendar. Blue wave patterned dial. **\$525**



**PADI**

**SRPE99**  
**PADI SPECIAL EDITION**  
 45.0mm. 21,600 vibrations per hour. 41-hour power reserve.  
 Day/date calendar. **\$550**



*Replaces SRPA21 starting in August 2020*



**SRPD11**  
**SPECIAL EDITION**  
 45.0mm. 21,600 vibrations per hour. 41-hour power reserve.  
 Day/date calendar. Blue whale/wave patterned dial. **\$575**





**SRPE93**

45.0mm. 21,600 vibrations per hour. 41-hour power reserve. Day/date calendar. Silicone strap. **\$495**

*Replaces SRP777 starting in August 2020*



**SRPC44**

45.0mm. 21,600 vibrations per hour. 41-hour power reserve. Day/date calendar. Silicone strap. **\$525**



**SRPC91**

**SPECIAL EDITION**

45.0mm. 21,600 vibrations per hour. 41-hour power reserve. Day/date calendar. Blue whale/wave patterned dial. Silicone strap. **\$495**



NEW



SRPE37

44.0mm. 21,600 vibrations per hour. 41-hour power reserve. Ceramic bezel. Magnified date calendar. Patterned dial. Silicone strap. \*595



NEW



SRPE35

44.0mm. 21,600 vibrations per hour. 41-hour power reserve. Ceramic bezel. Magnified date calendar. Patterned dial. \*625







SRPD23

**SPECIAL EDITION**

44.0mm. 21,600 vibrations per hour. 41-hour power reserve. Date calendar. Blue wave patterned dial. \*\$25



SRPC93

**SPECIAL EDITION**

44.0mm. 21,600 vibrations per hour. 41-hour power reserve. Date calendar. Blue whale/wave patterned dial. \*\$25



SRPC07

44.0mm. 21,600 vibrations per hour. 41-hour power reserve. Date calendar. \*\$25





**SRPF03**  
 44.0mm. 21,600 vibrations per hour. 41-hour power reserve.  
 Date calendar. **\$525**

*Replaces SRPB51 starting in August 2020*



**PADI**

**SRPF09**  
**PADI SPECIAL EDITION**  
 44.0mm. 21,600 vibrations per hour. 41-hour power reserve.  
 Date calendar. Wave patterned dial. **\$550**

*Replaces SRPB99 starting in August 2020*





**SRPB53**  
 44.0mm. 21,600 vibrations per hour. 41-hour power reserve. Date calendar. Silicone strap. **\$495**



**SRPD09**  
**SPECIAL EDITION**  
 44.0mm. 21,600 vibrations per hour. 41-hour power reserve. Date calendar. Silicone strap. Blue whale/wave patterned dial. **\$525**



**SSC701**  
**SPECIAL EDITION**  
 43.5mm. 6-month power reserve once fully charged. Date calendar. Silicone strap. Blue whale/wave patterned dial. **\$450**





Style No. SRPD25



**SRPD27**  
 42.4mm. 21,600 vibrations per hour. 41-hour power reserve. Magnified day/date calendar. Silicone strap. **\$495**



**SRPD25**  
 42.4mm. 21,600 vibrations per hour. 41-hour power reserve. Magnified day/date calendar. **\$525**



**NEW**



**PADI**

**SRPE27**  
**PADI SPECIAL EDITION**  
 42.4mm. 21,600 vibrations per hour. 41-hour power reserve. Magnified day/date calendar. **\$525**





Style No. SNJ029

NEW



SNJ029

47.8mm. 6-month power reserve once fully charged. Silicone strap. \$550



NEW



SNJ031

47.8mm. 6-month power reserve once fully charged. Silicone strap. \$550



SNJ025

47.8mm. 6-month power reserve once fully charged. Silicone strap. \$525



PADI



SNJ027

PADI SPECIAL EDITION  
47.8mm. 6-month power reserve once fully charged. Silicone strap. \$525





Style No. SNE547





**SNE545**

46.7mm. 10-month power reserve once fully charged. Date calendar. Lightweight matte white case with matching silicone strap. **¥450**



**SNE547**

46.7mm. 10-month power reserve once fully charged. Date calendar. Lightweight matte black case. Green silicone strap. **¥450**





**SNE533**

46.7mm. 10-month power reserve once fully charged. Date calendar. Lightweight matte blue case with matching silicone strap. \$450



**SNE535**

46.7mm. 10-month power reserve once fully charged. Date calendar. Lightweight matte green case with matching silicone strap. \$450



**SNE537**

46.7mm. 10-month power reserve once fully charged. Date calendar. Lightweight matte gray case with matching silicone strap. \$450





**SNE441**  
43.5mm. 10-month power reserve once fully charged. Magnified date calendar. Silicone strap. **¥375**



**PADI**

**SNE549**  
**PADI SPECIAL EDITION**  
43.5mm. 10-month power reserve once fully charged. Magnified date calendar. **¥395**



Replaces SNE435 starting in August 2020



**SNE498**  
47.0mm. 10-month power reserve once fully charged. Date calendar. Silicone strap. **¥450**



**SSG015**  
44.0mm. Radio controlled. 6-month power reserve once fully charged. Power save function. Date calendar. Leather strap. **¥595**



**RADIO SYNC SOLAR**

Radio Sync Solar technology automatically adjusts the time and date by radio signals received from atomic clocks positioned throughout the world, delivering superior accuracy.



Style No. SRPD37

## Masterworks of Watchmaking

Each stunningly crafted Presage reflects an extraordinary heritage of artistry in design and timekeeping. Starting with superior Japanese mechanical watchmaking, every Presage reflects the essence of a unique view of beauty, nature and art. Inspired by disparate, yet richly evocative sources, the newest dials offer a modern interpretation of centuries of tradition. Elaborations of past favorites include two designs evoking the serenity of a Japanese garden, with markers and natural blue and gray dials textured to recall traditional paving stones, and new cocktail inspired models in smaller ladies' sizes celebrating the blue martini and pink champagne cocktail. And each Presage is perfectly balanced, from those distinctive dials to the delicately turned hands and the see-through casebacks offering a view of classic timekeeping in action. Featuring Seiko's proprietary Trimatic technology, these superior jeweled movements include such innovations as the Magic Lever, durable Spron alloy springs and the Diashock protection system. Exquisitely detailed in every respect, each Presage is a tribute to fine watchmaking.

**PRESAGE**

PRESAGE



Style No. SRPF54

SEIKO PRESAGE COCKTAIL TIME

NEW



SRPF55

US EXCLUSIVE

33.8mm. 21,600 vibrations per hour. 41-hour power reserve. Date calendar. Dial with pressed pattern and gloss finish. Leather strap. \$450



NEW



SRPF54

US EXCLUSIVE

33.8mm. 21,600 vibrations per hour. 41-hour power reserve. Date calendar. Dial with pressed pattern and gloss finish. \$525



SEIKO PRESAGE COCKTAIL TIME



**SSA405**  
 40.5mm. 21,600 vibrations per hour.  
 41-hour power reserve. Patterned dial  
 with gloss finish and open aperture.  
 Leather strap. **\*475**



**SSA785**  
 33.8mm. 21,600 vibrations per hour.  
 41-hour power reserve. Patterned dial  
 with gloss finish and open aperture.  
 Leather strap. **\*475**



**SSA407**  
 40.5mm. 21,600 vibrations per hour.  
 41-hour power reserve. Patterned dial  
 with gloss finish and open aperture.  
 Leather strap. **\*475**



**SSA783**  
 33.8mm. 21,600 vibrations per hour.  
 41-hour power reserve. Patterned dial  
 with gloss finish and open aperture.  
 Leather strap. **\*475**





## SEIKO PRESAGE COCKTAIL TIME



**SRPE19**  
40.5mm. 21,600 vibrations per hour.  
41-hour power reserve. Date calendar.  
Sunray dial with pressed pattern and  
gloss finish. **\$450**



**SRP841**  
33.8mm. 21,600 vibrations per hour.  
41-hour power reserve. Date calendar.  
Sunray dial with pressed pattern and  
gloss finish. **\$450**



**SRPE17**  
40.5mm. 21,600 vibrations per hour.  
41-hour power reserve. Date calendar.  
Sunray dial with pressed pattern and  
gloss finish. **\$450**



**SRP837**  
33.8mm. 21,600 vibrations per hour.  
41-hour power reserve. Date calendar.  
Sunray dial with pressed pattern and  
gloss finish. **\$450**



## SEIKO PRESAGE COCKTAIL TIME



### SRPE15

40.5mm. 21,600 vibrations per hour. 41-hour power reserve. Date calendar. Sunray dial with pressed pattern and gloss finish. \$450



### SRP839

33.8mm. 21,600 vibrations per hour. 41-hour power reserve. Date calendar. Sunray dial with pressed pattern and gloss finish. \$450



## SEIKO PRESAGE COCKTAIL TIME



### SSA393

40.5mm. 21,600 vibrations per hour. 41-hour power reserve. Power reserve indicator and date display. Sunray dial with pressed pattern and gloss finish. Leather strap. \*\$575



### SSA343

40.5mm. 21,600 vibrations per hour. 41-hour power reserve. Power reserve indicator and date display. Sunray dial with pressed pattern and gloss finish. Leather strap. \*\$575



### SSA346

40.5mm, 21,600 vibrations per hour. 41-hour power reserve. Power reserve indicator and date display. Sunray dial with pressed pattern and gloss finish. Leather strap. \*\$650



SEIKO PRESAGE COCKTAIL TIME



**SRPD37**

40.5mm. 21,600 vibrations per hour. 41-hour power reserve, Date calendar. Sunray dial with pressed pattern and gloss finish. Leather strap. \$425



**SRPB43**

40.5mm. 21,600 vibrations per hour. 41-hour power reserve. Date calendar. Sunray dial with pressed pattern and gloss finish. Leather strap. \$425



**SRPB46**

40.5mm. 21,600 vibrations per hour. 41-hour power reserve. Date calendar. Sunray dial with pressed pattern and gloss finish. Leather strap. \$495



**SRPB41**

40.5mm. 21,600 vibrations per hour. 41-hour power reserve. Date calendar. Sunray dial with pressed pattern and gloss finish. \$450



**SRPB77**

40.5mm. 21,600 vibrations per hour. 41-hour power reserve. Date calendar. Sunray dial with pressed pattern and gloss finish. \$450



SEIKO PRESAGE COCKTAIL TIME

NEW



SRPE41\*

38.5mm. 21,600 vibrations per hour. 41-hour power reserve. Date calendar. Dial with pressed pattern and gloss finish. Leather strap. \$425



NEW



SRPE43\*

38.5mm. 21,600 vibrations per hour. 41-hour power reserve. Date calendar. Dial with pressed pattern and gloss finish. Leather strap. \$425



NEW



SRPE45\*

38.5mm. 21,600 vibrations per hour. 41-hour power reserve. Date calendar. Dial with pressed pattern and gloss finish. Leather strap. \$425



\*Available by special order only

INSPIRED BY A JAPANESE GARDEN



**SSA395**

42.0mm. 21,600 vibrations per hour. 41-hour power reserve. Power reserve indicator and date display. Textured dial and markers. Dual curved sapphire crystal. ¥675



**SSA397**

42.0mm. 21,600 vibrations per hour. 41-hour power reserve. Power reserve indicator and date display. Textured dial and markers. Dual curved sapphire crystal. ¥675



INSPIRED BY A JAPANESE GARDEN

NEW



SRPF51

US EXCLUSIVE

41.7mm. 21,600 vibrations per hour. 41-hour power reserve. Date calendar. Textured dial and markers. Dual curved sapphire crystal. \*\$25



NEW



SRPF53

US EXCLUSIVE

41.7mm. 21,600 vibrations per hour. 41-hour power reserve. Date calendar. Textured dial and markers. Dual curved sapphire crystal. \*\$25



SRPD39

41.7mm. 21,600 vibrations per hour. 41-hour power reserve. Date calendar. Textured dial and markers. Dual curved sapphire crystal. \*\$25



SRPD41

41.7mm. 21,600 vibrations per hour. 41-hour power reserve. Date calendar. Textured dial and markers. Dual curved sapphire crystal. \*\$25



PRESAGE



Style No. SSC745



## Styled for Performance

A sophisticated blend of style, precision and innovation, Coutura is crafted for effortless excellence. The watch for those who know what they want and where they're going, who make their own rules and forge their own paths, each Coutura is thoroughly contemporary in technology and design. Combining rugged sport lines and cutting-edge looks, the masterfully integrated styling offers bold angles, dimensional patterns and bright color accents. And, offering solar movements with no battery change required, including automatically adjusting Radio-Sync Solar models, every Coutura delivers non-stop performance for today's world. Dashing new introductions feature fresh color variations with an accent on modern luxury, including sunray finished silver and gray dials, as well as blue and rose-gold dial and bezel accents.

# COUTURA

# COUTURA



**SSG009**  
 44.5mm. Radio controlled.  
 6-month power reserve once fully charged. Signal reception and result indicator. Power save function. Date calendar. Cabochon crown. **\*595**



**SSG010**  
 44.5mm. Radio controlled.  
 6-month power reserve once fully charged. Signal reception and result indicator. Power save function. Date calendar. Cabochon crown. **\*650**



**SSG021**  
 44.5mm. Radio controlled.  
 6-month power reserve once fully charged. Signal reception and result indicator. Power save function. Date calendar. Cabochon crown. **\*695**



# COUTURA



**SSG019**

44.5mm. Radio controlled. 6-month power reserve once fully charged. Signal reception and result indicator. Power save function. Retrograde day indicator. Date calendar. Cabochon crown. **595**



**SSG020**

44.5mm. Radio controlled. 6-month power reserve once fully charged. Signal reception and result indicator. Power save function. Retrograde day indicator. Date calendar. Cabochon crown. **650**



**RÀDIO SYNC SOLAR**

Radio Sync Solar technology automatically adjusts the time and date by radio signals received from atomic clocks positioned throughout the world, delivering superior accuracy.

*(For all styles on pages 34-35)*



**SSC745**

45.5mm. 6-month power reserve once fully charged. Power reserve indicator. Date calendar. Cabochon crown. Silicone strap. **¥495**



**SSC747**

45.5mm. 6-month power reserve once fully charged. Power reserve indicator. Date calendar. Cabochon crown. Silicone strap. **¥495**



**SSC743**

45.5mm. 6-month power reserve once fully charged. Power reserve indicator. Date calendar. Cabochon crown. **¥525**



NEW



SSC787

44.0mm. 6-month power reserve once fully charged. Power reserve indicator. Leap year, month, day and date indicator. Perpetual calendar. Cabochon crown. \*495



NEW



SSC788

44.0mm. 6-month power reserve once fully charged. Power reserve indicator. Leap year, month, day and date indicator. Perpetual calendar. Cabochon crown. \*550





**SSC376**

44.0mm. 6-month power reserve once fully charged. Power reserve indicator. Leap year, month, day and date indicator. Perpetual calendar. Cabochon crown. **¥495**



**SSC560**

44.0mm. 6-month power reserve once fully charged. Power reserve indicator. Leap year, month, day and date indicator. Perpetual calendar. Cabochon crown. **¥495**



**SSC700**

44.0mm. 6-month power reserve once fully charged. Power reserve indicator. Leap year, month, day and date indicator. Perpetual calendar. Cabochon crown. **¥525**



NEW



SNE565

42.5mm. 10-month power reserve once fully charged. Date calendar. Cabochon crown. \$350



SNE412

42.5mm. 10-month power reserve once fully charged. Date calendar. Cabochon crown. \$350



SNE506

42.5mm. 10-month power reserve once fully charged. Date calendar. Cabochon crown. \$550



Style No. SKK878, SKK881



## Unmistakably Elegant

Designed to dazzle – with unmistakable style and round-the-clock reliability, the Diamond Collection offers the perfect dash of brilliance for any occasion. With beautifully hand-set stones, intricately linked bracelets, and such graceful touches as one-of-a-kind mother-of-pearl dials and cabochon crowns, each provides assured elegance. From elaborate classics for sparkling evenings to contemporary models for all-day glamour, the collection includes both solar-powered watches that harness light with no need for a battery change, as well as quartz designs offering a masterful blend of beauty and precision.

DIAMONDS





**SRZ529**  
30.0mm. Cabochon crown.  
Blue hands. \$475



**SRZ531**  
30.0mm. Cabochon crown. \$475



**SRZ532**  
30.0mm. Cabochon crown. \$525



**SRZ534**  
30.0mm. Cabochon crown. \$525





SKK881  
33.3mm. Date calendar. ¥525



SKK880  
33.3mm. Date calendar. ¥550



SKK878  
33.3mm. Date calendar. ¥575





**SUT371**  
 29.0mm. 6-month power  
 reserve once fully charged.  
 Date calendar. **¥495**



**SUT372**  
 29.0mm. 6-month power  
 reserve once fully charged.  
 Date calendar. **¥525**



**SUT374**  
 29.0mm. 6-month power  
 reserve once fully charged.  
 Date calendar. **¥550**



**SUT380**  
 29.0mm. 6-month power  
 reserve once fully charged.  
 Date calendar. **¥525**





**SUP401**  
 24.0mm. 12-month power  
 reserve once fully charged.  
 \$495



**SUP405**  
 24.0mm. 12-month power  
 reserve once fully charged.  
 \$525



**SUP406**  
 24.0mm. 12-month power  
 reserve once fully charged.  
 \$525





**SUP378**  
 24.0mm. 12-month power  
 reserve once fully charged.  
 \*\$395



**SNE461**  
 34.5mm. 10-month power  
 reserve once fully charged.  
 Date calendar. \*\$350



**SNE462**  
 34.5mm. 10-month power  
 reserve once fully charged.  
 Date calendar. \*\$375





**SUT338**

33.0mm. 6-month power reserve once fully charged. Date calendar. Ceramic bezel.

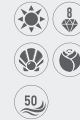
\$425



**SUT340**

33.0mm. 6-month power reserve once fully charged. Date calendar. Ceramic bezel.

\$450



**SUT068**

27.0mm. 6-month power reserve once fully charged. Date calendar. \$425





**SUT351**  
29.0mm. 6-month power reserve once fully charged. Date calendar. **\$375**



**SUP397**  
29.5mm. Blue hour and minute hands. 12-month power reserve once fully charged. Cabochon crown. **\$375**



**SNE243**  
39.0mm. 10-month power reserve once fully charged. Date calendar. **\$395**



**SNE430**  
41.0mm. 10-month power reserve once fully charged. Patterned dial. Date calendar. **\$325**



Style No. SUP434, SUP433



Bold style enhanced by Swarovski® crystals. The Crystal Collection blends brilliance with fashion for those taking on the night with drama and daring.

# CRYSTALS



NEW



**SUR392**

29.0mm. Blue hands. Cabochon crown. Patterned dial. Made with Swarovski® crystals. **€340**



NEW



**SUR394**

29.0mm. Cabochon crown. Patterned dial. Made with Swarovski® crystals. **€350**



NEW



**SUR396**

29.0mm. Cabochon crown. Patterned dial. Made with Swarovski® crystals. **€375**





**SUP429**

24.7mm. 12-month power reserve once fully charged. Glitter patterned dial. Blue hour and minute hands. Made with Swarovski® crystals. Leather strap. **¥325**



**SUP433**

30.3mm. 12-month power reserve once fully charged. Glitter patterned dial. Made with Swarovski® crystals. **¥350**



**SUP434**

30.3mm. 12-month power reserve once fully charged. Glitter patterned dial. Made with Swarovski® crystals. **¥375**





**SUP360**  
28.0mm. 12-month power  
reserve once fully charged.  
Sunray patterned dial. Made  
with Swarovski® crystals. \*\$350



**SUP364**  
28.0mm. 12-month power  
reserve once fully charged.  
Sunray patterned dial. Made  
with Swarovski® crystals. \*\$350





**SFQ803**  
29.6mm. Made with Swarovski® crystals. Cabochon crown. ₹295



**SFQ802**  
29.6mm. Made with Swarovski® crystals. Cabochon crown. ₹350



**SFQ798**  
29.6mm. Made with Swarovski® crystals. Cabochon crown. ₹335



**SUT074**  
28.0mm. 6-month power reserve once fully charged. Date calendar. Made with Swarovski® crystals. ₹295



**SUT312**  
29.0mm. 6-month power reserve once fully charged. Date calendar. Made with Swarovski® crystals. ₹325





**SUP173**  
22.5mm. 12-month power reserve once fully charged. Made with Swarovski® crystals. \$275



**SUP176**  
22.5mm. 12-month power reserve once fully charged. Made with Swarovski® crystals. \$275



**SNE457**  
44.5mm. 10-month power reserve once fully charged. Date calendar. Made with Swarovski® crystals. \$450



**SNE458**  
44.5mm. 10-month power reserve once fully charged. Date calendar. Made with Swarovski® crystals. \$495





Style No. SSB371



**SSB367**  
 45.2mm. Date calendar. Patterned dial. Combination nylon/silicone strap.  
 \$295



**SSB369**  
 45.2mm. Date calendar. Patterned dial. Combination nylon/silicone strap.  
 \$315





**SSB371**  
 42.7mm. Date calendar. Patterned dial. Combination nylon/silicone strap.  
 \*315



**SSB373**  
 42.7mm. Date calendar. Patterned dial. Combination nylon/silicone strap.  
 \*315







**SUR323**  
40.8mm. Big date calendar.  
Patterned dial. Combination  
nylon/silicone strap. \$240



**SUR325**  
40.8mm. Big date calendar.  
Patterned dial. Combination  
nylon/silicone strap. \$250





**SSB333**

42.7mm. Date calendar.  
Patterned dial. Leather  
strap. \*260



**SSB331**

42.7mm. Date calendar.  
Patterned dial. \*315



**SUR285**

40.8mm. Big date  
calendar. Patterned dial.  
\*250





**SSB347**  
43.9mm. Retrograde style subdials. Date calendar. Patterned dial. Silicone strap. \*275



**SSB353**  
43.9mm. Retrograde style subdials. Date calendar. Patterned dial. Silicone strap. \*275



**SSB345**  
43.9mm. Retrograde style subdials. Date calendar. Patterned dial. \*315



**SSB325**  
43.9mm. Date calendar. Patterned dial. Silicone strap. \*235



**SSB321**  
43.9mm. Date calendar. Patterned dial. \*285





**SUR307**  
40.2mm. Date calendar. \$250



**SUR309**  
40.2mm. Date calendar. \$250



**SUR311**  
40.2mm. Date calendar. \$250





**SUR312**  
40.2mm. Date calendar. \$295



**SUR314**  
40.2mm. Date calendar. \$295



**NEW**



**SUR343**  
40.2mm. Day/date calendar.  
\$250





**SUR317**  
36.0mm. Date calendar. ¥235



**SUR320**  
36.0mm. Date calendar. ¥275





**SUR322**  
36.0mm. Date calendar. \$295



**NEW**



**SUR348**  
36.0mm. Day/date calendar.  
\$295





**SUR633**  
29.8mm. Date calendar. \$225



**SUR636**  
29.8mm. Date calendar. \$275



**SUR634**  
29.8mm. Date calendar. \$295







**SUR632**  
29.8mm. Date calendar. \$275



**SUR630**  
29.8mm. Date calendar. \$295



**NEW**



**SUR351**  
29.8mm. Day/date calendar.  
\$225



**NEW**



**SUR354**  
29.8mm. Day/date calendar.  
\$275





**SUR629**  
29.2mm. Blue hands and Roman numerals. Cabochon crown. \$275



**SUR628**  
29.2mm. Cabochon crown. \$335



**SUR626**  
29.2mm. Blue hands and Roman numerals. Cabochon crown. \$335



NEW



**SUR391**  
29.0mm. Blue hands.  
Cabochon crown. Patterned  
dial. Leather strap. \$250



NEW



**SUR382**  
29.0mm. Cabochon crown.  
Patterned dial. \$325





**SSB342**  
 43.3mm. Date calendar.  
 Patterned dial. Leather  
 strap. \$295



**SSB339**  
 43.3mm. Date calendar.  
 Patterned dial. \$265



**SGEH88**  
 40.4mm. Patterned dial.  
 Leather strap. \$220



**SXDG98**  
 28.7mm. Patterned dial.  
 Leather strap. \$220





**SGEH89**  
40.6mm. Date calendar.  
\$215



**SXDG99**  
28.7mm. Date calendar.  
\$215



**SGEH90**  
40.6mm. Date calendar.  
\$240



**SXDH02**  
28.7mm. Date calendar.  
\$240





**SNKP27**  
 39.5mm. Self-winding. 21,600 vibrations per hour. 41-hour power reserve. Day/date calendar. Leather strap. **\$275**



**SNKP23**  
 39.5mm. Self-winding. 21,600 vibrations per hour. 41-hour power reserve. Day/date calendar. **\$275**





**SNKN37**  
 43.5mm. Self-winding. 21,600 vibrations per hour. 41-hour power reserve Day/date calendar. Leather strap. **\$225**



**SNKM97**  
 43.5mm. Self-winding. 21,600 vibrations per hour. 41-hour power reserve. Day/date calendar. **\$250**





**SSC715**  
 43.2mm. 6-month power  
 reserve once fully charged.  
 Date calendar. \*\$375



**SSC721**  
 43.2mm. 6-month power  
 reserve once fully charged.  
 Date calendar. \*\$395



**SSC446**  
 43.5mm. 6-month power  
 reserve once fully charged.  
 Date calendar. \*\$425







**SSC141**  
 42.5mm. 6-month power  
 reserve once fully charged.  
 Date calendar. **\$375**



**SSC142**  
 42.5mm. 6-month power  
 reserve once fully charged.  
 Date calendar. **\$395**



**SSC143**  
 42.5mm. 6-month power  
 reserve once fully charged.  
 Date calendar. **\$425**





**SNE479**  
 40.0mm. 10-month power  
 reserve once fully charged.  
 Date calendar. \$250



**SNE481**  
 40.0mm. 10-month power  
 reserve once fully charged.  
 Date calendar. \$275



**SNE482**  
 40.0mm. 10-month power  
 reserve once fully charged.  
 Date calendar. \$275



**SUP396**  
 27.5mm. 12-month power  
 reserve once fully charged.  
 \$350





**SNE507**  
39.5mm. Patterned dial.  
10-month power reserve once  
fully charged. Date calendar.  
Cabochon crown. \$295



**SUP393**  
29.0mm. Patterned dial.  
12-month power reserve once  
fully charged. Cabochon crown.  
\$295



**SNE508**  
39.5mm. Patterned dial.  
10-month power reserve once  
fully charged. Date calendar.  
Cabochon crown. \$325



**SUP394**  
29.0mm. Patterned dial.  
12-month power reserve once  
fully charged. Cabochon crown.  
\$325





**SNE491**  
42.0mm. 10-month power reserve once fully charged. Patterned dial. Date calendar. Leather strap. **\$225**



**SNE492**  
42.0mm. 10-month power reserve once fully charged. Patterned dial. Date calendar. Leather strap. **\$250**



**SNE485**  
43.0mm. 10-month power reserve once fully charged. Date calendar. **\$295**



**SNE487**  
43.0mm. 10-month power reserve once fully charged. Date calendar. Leather strap. **\$250**



**SNE529**  
40.0mm. 10-month power reserve once fully charged. Day/date calendar. Sapphire crystal. Leather strap. **\$240**





**SNE329**  
43.0mm. 10-month power reserve once fully charged. Day/date calendar. Nylon strap. **\$195**



**SNE331**  
43.0mm. 10-month power reserve once fully charged. Day/date calendar. Nylon strap. **\$205**



**SNE361**  
43.0mm. 10-month power reserve once fully charged. Day/date calendar. **\$250**





**SNE323**

41.0mm. 10-month power reserve once fully charged. Patterned dial. Date calendar.

\$250



**SNE325**

41.0mm. 10-month power reserve once fully charged. Patterned dial. Date calendar.

\$295



**SNE215**

38.0mm. 10-month power reserve once fully charged. Date calendar. \$275





**SUR360**  
39.6mm. Day/date calendar.  
Leather strap. \$225



Replaces SNE102 starting in  
July 2020



**SUR355**  
39.6mm. Day/date calendar.  
\$225



Replaces SNE093 starting in  
July 2020



**SUR356**  
39.6mm. Day/date calendar.  
\$265



Replaces SNE098 starting in  
July 2020



**SUR358**  
39.6mm. Day/date calendar.  
\$265



Replaces SNE100 starting in  
July 2020



**SWR033**  
32.0mm. Textured dial  
and markers. \$265



**SWR034**  
32.0mm. Textured dial  
and markers. \$315



**SRZ520**  
29.0mm. Blue hour,  
minute and second  
hands.  
Cabochon crown. \$295







**SFQ801**  
29.6mm. Cabochon crown. \$260



**SFQ800**  
29.6mm. Blue hour and minute hands. Cabochon crown. \$295



**SUT347**  
28.0mm. 6-month power reserve once fully charged. Date calendar. \$225



**SUT350**  
28.0mm. 6-month power reserve once fully charged. Date calendar. \$275



**SUT349**  
28.0mm. 6-month power reserve once fully charged. Date calendar. \$295



NEW



**SUR367**  
37.4mm. Day/date calendar.  
Leather strap. \$185



NEW



**SUR365**  
37.4mm. Day/date calendar.  
Leather strap. \$185



**SUR361**  
37.4mm. Day/date  
calendar. \$195



*Replaces SNE039 starting in  
July 2020*



**SUR363**  
37.4mm. Day/date  
calendar. \$215



*Replaces SNE047 starting in  
July 2020*



**SUT315**  
27.0mm. 6-month power  
reserve once fully charged.  
Date calendar. \$235



**SUT316**  
27.0mm. 6-month power  
reserve once fully charged.  
Date calendar. \$265





**SNE036**  
37.0mm. 10-month power  
reserve once fully charged.  
Day/date calendar. **€215**



**SNE032**  
37.0mm. 10-month power  
reserve once fully charged.  
Day/date calendar. **€215**



**SNE042**  
37.0mm. 10-month power  
reserve once fully charged.  
Day/date calendar. **€215**



**SUT110**  
25.0mm. 6-month power  
reserve once fully charged.  
Day/date calendar. **€215**




**SUT116**  
25.0mm. 6-month power  
reserve once fully charged.  
Day/date calendar. **€215**



**SUT118**  
25.0mm. 6-month power  
reserve once fully charged.  
Day/date calendar. **€215**






**SWR044**  
15.5mm. \$295 


*Replaces SUP272 starting in July 2020*



**SWR046**  
15.5mm. \$295 



*Replaces SUP274 starting in July 2020*





**SWR048**  
15.5mm. \$295 

*Replaces SUP276 starting in July 2020*





**SUT222**  
26.0mm. 6-month power reserve once fully charged. Date calendar. \$265  



**SUP352**  
23.0mm. 12-month power reserve once fully charged. \$275  



**SUP210**  
18.5mm. 12-month power reserve once fully charged. \$215  



**SUT375**

28.0mm. 6-month power reserve once fully charged. Date calendar. Leather strap. \$225



**SUT376**

28.0mm. 6-month power reserve once fully charged. Date calendar. Leather strap. \$225





**SUP250**  
18.0mm. 12-month power reserve once fully charged.  
Leather strap. Cabochon crown.  
\$195



**SUP252**  
18.0mm. 12-month power reserve once fully charged.  
Leather strap. Cabochon crown. \$195



**SUP880**  
28.5mm. 12-month power reserve once fully charged.  
Leather strap. Cabochon crown.  
\$195



**SUP896**  
28.0mm. 12-month power reserve once fully charged.  
Leather strap. \$215





SXGL61  
16.0mm. \$195



SXGL62  
16.0mm. \$195



SGF204  
36.5mm. Day/date  
calendar. \$315



SGF206  
36.5mm. Day/date  
calendar. \$315



SWZ054  
24.5mm. Day/date  
calendar. \$315







**S23159**  
**VISUALLY IMPAIRED**  
36.0mm. Braille for visually impaired. Hinged acrylic crystal opens to allow access to raised markers. Leather strap. \$265



**SWL001**  
**VISUALLY IMPAIRED**  
26.0mm. Braille for visually impaired. Hinged acrylic crystal opens to allow access to raised markers. Leather strap. \$265

 24-HOUR INDICATOR

 ALARM

 ANALOG/DIGITAL

 ANTI-REFLECTIVE

 AUTOMATIC

 BLACK ION FINISH

 BLUE ION FINISH

 BROWN ION FINISH

 CHRONOGRAPH

 CRYSTAL

 NUMBER OF DIAMONDS

 DUAL TIME

 ENGLISH/SPANISH CALENDAR

 GRAY ION FINISH

 NUMBER OF JEWELS

 LUMIBRITE

 MOTHER-OF-PEARL

 PUSH 3-FOLD (FOR LEATHER STRAPS)

 ROSE GOLD

 ROTATING BEZEL

 SAPPHIRE GLASS

 SCREW-DOWN CROWN

 SCREW-DOWN, SEE-THROUGH CASEBACK

 SOLAR

 WATER RESISTANCE 30 METERS

 WATER RESISTANCE 50 METERS

 WATER RESISTANCE 100 METERS

 WATER RESISTANCE 200 METERS DIVER

 WORLD TIME

## SEIKO TECHNOLOGY

---

### RADIO SYNC

WORLD TIME CHRONOGRAPH	8B92
DUAL TIME	8B63

### CHRONOGRAPH

PERPETUAL CHRONOGRAPH	V198
ALARM CHRONOGRAPH	V172
CHRONOGRAPH WITH POWER RESERVE INDICATOR	V192, V194
CHRONOGRAPH	V175, V176, 8T63, 8T67

### SOLAR ANALOG/DIGITAL

SOLAR ANALOG/DIGITAL	H851
----------------------	------

### AUTOMATIC

AUTOMATIC	4R35, 4R38, 7S26
AUTOMATIC DIVER	4R35, 4R36
AUTOMATIC WITH POWER RESERVE & DATE DISPLAY	4R57

### RADIO SYNC SOLAR

Radio Sync Solar Chronograph automatically receives radio signals daily of an official standard frequency from USA (Fort Collins), Japan, China, or Germany to precisely adjust the time and calendar.

### SEIKO SOLAR

Seiko Solar watches collect energy from any light source and convert it into electrical energy. This energy is stored in a rechargeable lithium ion cell which takes the place of a conventional watch battery. From there, the watch operates like any other quartz watch.

### SOLAR ANALOG/DIGITAL

With both traditional and digital displays, the functions of this movement include a stopwatch, dual time capability, a calendar, and an alarm.

### ALARM CHRONOGRAPH

Seiko alarm chronographs offer the features of a chronograph along with a 12-hour alarm.

### CHRONOGRAPH WITH POWER RESERVE

In addition to the stop watch, this chronograph displays the remaining power reserve, so you can always know when it's time to recharge.

### CHRONOGRAPH

Seiko chronographs provide standard watch functions as well as precise stopwatch timing for a variety of activities.

### PERPETUAL CALENDAR

The Seiko Perpetual Calendar automatically adjusts for odd and even months including February of leap years.

### AUTOMATIC

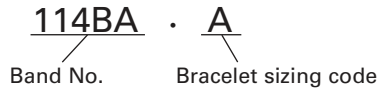
Self-winding mechanical watches operate using power obtained from a mainspring which is wound automatically with the motion of the wearer's arm.

Seiko bracelets are designed to be elegant and durable, as well as easy to adjust.

**PRO TIPS**

- Before “sizing,” estimate the number of links you’ll want to remove, and remove sections, rather than individual links, when you can.
- If you are only making a small adjustment, check to see if it can be made by adjusting the clasp mechanism before you start removing links.
- Save the removed links.
- Work on a flat surface so the links stay aligned.
- On expansion bracelets, remove links from near the center of the watchband.
- On clasp bracelets, remove an equal number of links from the bracelet on each side of the clasp.

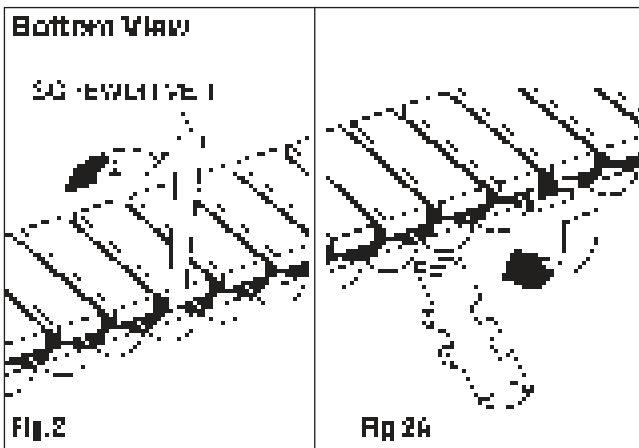
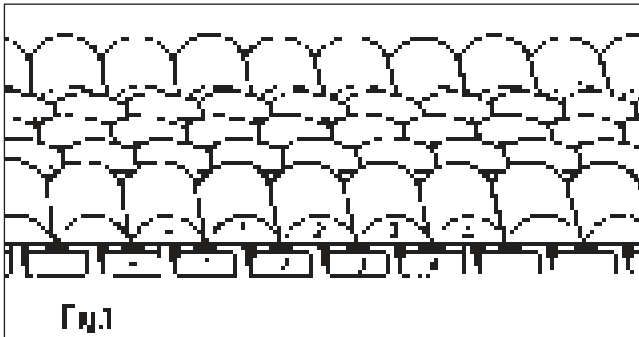
Seiko has introduced a bracelet sizing coding system, adding a sizing code on each bracelet after the Band # with a dot in-between as shown below. The bracelet code can be found on the back of the bracelet either on the end piece, clasp, or on the links.



See Operational Guide for detailed instructions on bracelet sizing codes.

**LOCKING TAB BRACELETS**

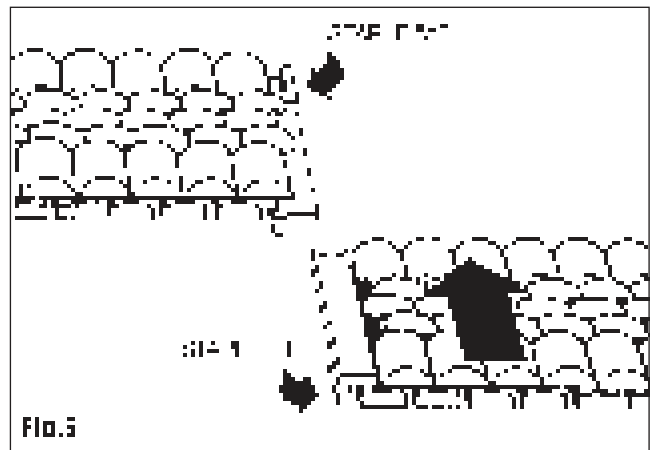
1. Many bracelets, particularly expansion bracelets in a “topshell and bottom box” design, are locked together by bent tabs of metal. To size these bracelets:
2. Place the band upside down and use a thin blade to pull out and straighten the tab on one end of a topshell.
- 2a. Lift the band, pivot the end of the topshell with the straightened tab away from the band and “unhook” the other hand to free the topshell. Put this topshell aside for reassembly. Repeat this procedure, on the topshell at the other end of the section you want to remove.



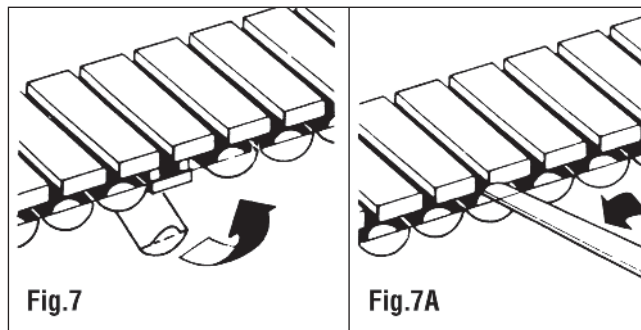
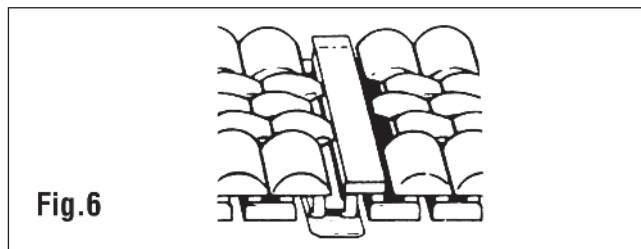
3. Place the band rightside up so you can see the “top boxes” you have exposed by removing topshells. Next, use a thin blade to pull out and straighten the flaps on the bottom boxes diagonally to the left of the topshells you have removed.
- 3a. Then straighten the flaps on the exposed top boxes.
4. Keeping the bracelet on a flat surface, slide the left hand section of the bracelet away from you as you pull the right hand section toward you.



5. Remove the unwanted section and align the two parts of the band for reassembly. “Staple A,” the small hook on the left hand section, should slide into the top box on the right hand section above the spring. “Staple B,” on the right hand section should slide into the bottom box on the available left hand section.

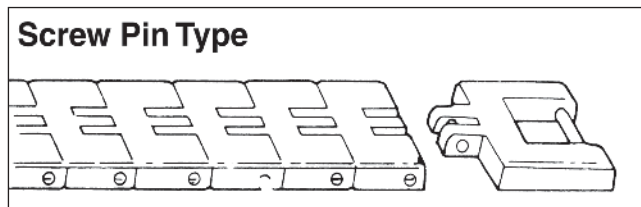


- 6. Gently “close” the flaps on the top and bottom boxes. Do not use pliers – they can damage a bracelet.
- 7. Take the first topshell you removed and hook its unbent end into the bracelet over the top box flap. Pivot it into place.
- 7a. Rebend and insert the tab to lock the topshell into position.



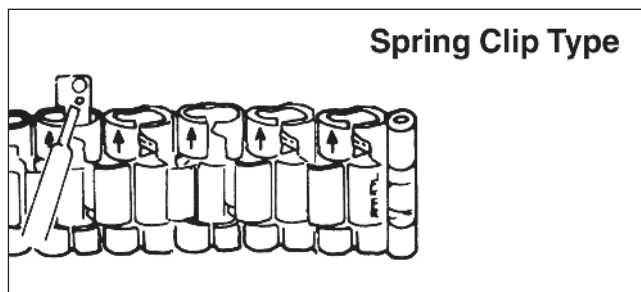
**SCREW PIN BRACELETS**

These bracelets are easy to size. Unscrew the pins that hold the links you wish to remove, remove those links, reassemble the band, and re-insert a screw to hold it together. Note that in some bracelets, not all links have accessible screws.



**SPRING CLIP BRACELETS**

These bracelets can be quickly sized, once you know how. Looking at the underside of the bracelet, place a pointed object into a spring clip you want to remove and slide the spring clip in the direction of the arrow. Once you have removed the appropriate number of links, align the remaining parts of the bracelet and put one of the spring clips you removed back in to join the bracelet back together.



**SPLIT PIN TYPE (SIZING CODE I)**

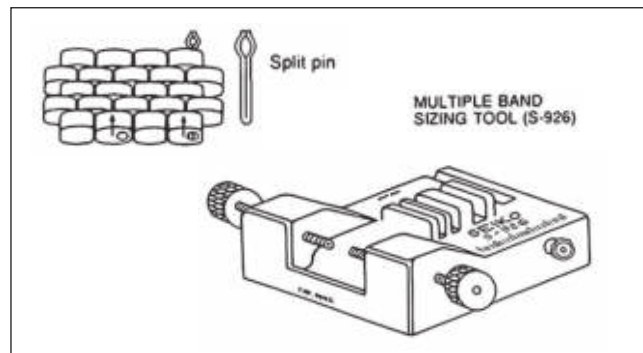
Push the pin in with the SEIKO Multiple Band Sizing tool or a common band sizing tool in the direction of the arrow and the pin will be removed from the link.

After removing the appropriate number of links, reassemble the links and insert the pin using the sizing tool in the opposite direction of the arrow.

**PIN AND SPLIT PIPE TYPE (SIZING CODE C)**

Push the pin in with the sizing tool in the direction of the arrow and the pin and a pipe can be taken out.

Remove the appropriate number of links.



**REASSEMBLY**

**Type A**

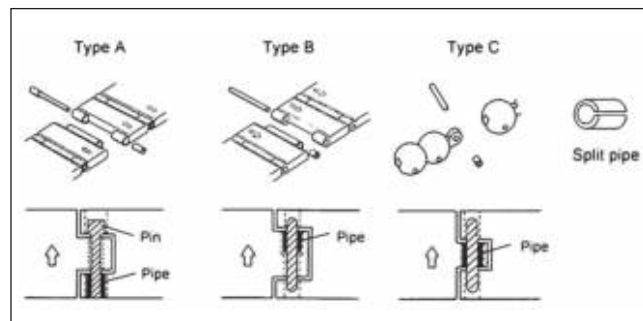
Reassemble the links, place the pipe into the hole of the link and insert the pin in the opposite direction of the arrow.

**Type B**

Place the pipe into the hole of the link, reassemble the links and insert the pin in the direction of the arrow.

**Type C**

Place the pipe into the hole of the link, reassemble the links and insert the pin.





SRPE33 | 44.0mm | \$625  
SPECIAL EDITION



0 29665 20337 3



SRPE39 | 45.0mm | \$625  
SPECIAL EDITION



0 29665 20338 0



SRPE07 | 45.0mm | \$595  
SPECIAL EDITION



0 29665 20050 1



SRPE05 | 45.0mm | \$595



0 29665 20049 5



SRPE03 | 45.0mm | \$625



0 29665 20048 8



SRPD21 | 45.0mm | \$525  
SPECIAL EDITION



0 29665 19722 1



SRPE99 | 45.0mm | \$550  
PADI SPECIAL EDITION



0 29665 20442 4



SRPD11 | 45.0mm | \$575  
SPECIAL EDITION



0 29665 19619 4



SRPE93 | 45.0mm | \$495



0 29665 20443 1



SRPC44 | 45.0mm | \$525



0 29665 19181 6



SRPC91 | 45.0mm | \$495  
SPECIAL EDITION



0 29665 19376 6



SRPE37 | 44.0mm | \$595



0 29665 20336 6



SRPE35 | 44.0mm | \$625



0 29665 20335 9



SRPD23 | 44.0mm | \$525  
SPECIAL EDITION



0 29665 19723 8



SRPC93 | 44.0mm | \$525  
SPECIAL EDITION



0 29665 19377 3



SRPC07 | 44.0mm | \$525



0 29665 19180 9



SRPF03 | 44.0mm | \$525



0 29665 20444 8



SRPF09 | 44.0mm | \$550  
PADI SPECIAL EDITION



0 29665 20445 5



SRPB53 | 44.0mm | \$495



0 29665 19009 3



SRPD09 | 44.0mm | \$525  
SPECIAL EDITION



0 29665 19620 0



SSC701 | 43.5mm | \$450  
SPECIAL EDITION



0 29665 19621 7



SRPD27 | 42.4mm | \$495



0 29665 19725 2



SRPD25 | 42.4mm | \$525



0 29665 19724 5



SRPE27 | 42.4mm | \$525  
PADI SPECIAL EDITION



0 29665 20339 7



SNJ029 | 47.8mm | \$550



0 29665 20340 3



SNJ031 | 47.8mm | \$550



0 29665 20341 0



SNJ025 | 47.8mm | \$525



0 29665 19752 8



SNJ027 | 47.8mm | \$525  
PADI SPECIAL EDITION



0 29665 19753 5



SNE545 | 46.7mm | \$450



0 29665 20076 1



SNE547 | 46.7mm | \$450



0 29665 20077 8



SNE533 | 46.7mm | \$450



0 29665 19618 7



SNE535 | 46.7mm | \$450



0 29665 19617 0



SNE537 | 46.7mm | \$450



0 29665 19616 3



SNE441 | 43.5mm | \$375



0 29665 18847 2



SNE549 | 43.5mm | \$395  
PADI SPECIAL EDITION



0 29665 20441 7



SNE498 | 47.0mm | \$450



0 29665 19382 7



SSG015 | 44.0mm | \$595



0 29665 19004 8



SRPF55 | 33.8mm | \$450  
US EXCLUSIVE



0 29665 20456 1



SRPF54 | 33.8mm | \$525  
US EXCLUSIVE



0 29665 20455 4



SSA405 | 40.5mm | \$475



0 29665 20063 1



SSA785 | 33.8mm | \$475



0 29665 20064 8



SSA407 | 40.5mm | \$475



0 29665 20065 5



SSA783 | 33.8mm | \$475



0 29665 20066 2



SRPE19 | 40.5mm | \$450



0 29665 20213 0



SRP841 | 33.8mm | \$450



0 29665 20216 1



SRPE17 | 40.5mm | \$450



0 29665 20215 4



SRP837 | 33.8mm | \$450



0 29665 20218 5



SRPE15 | 40.5mm | \$450



0 29665 20214 7



SRP839 | 33.8mm | \$450



SSA393 | 40.5mm | \$575



SSA343 | 40.5mm | \$575



SSA346 | 40.5mm | \$650



SRPD37 | 40.5mm | \$425



SRPB43 | 40.5mm | \$425



SRPB46 | 40.5mm | \$495



SRPB41 | 40.5mm | \$450



SRPB77 | 40.5mm | \$450



SRPE41\* | 38.5mm | \$425



SRPE43\* | 38.5mm | \$425



SRPE45\* | 38.5mm | \$425



SSA395 | 42.0mm | \$675



SSA397 | 42.0mm | \$675



SRPF51 | 41.7mm | \$525  
US EXCLUSIVE



SRPF53 | 41.7mm | \$525  
US EXCLUSIVE



SRPD39 | 41.7mm | \$525



SRPD41 | 41.7mm | \$525



SSG009 | 44.5mm | \$595



SSG010 | 44.5mm | \$650



SSG021 | 44.5mm | \$695



SSG019 | 44.5mm | \$595



SSG020 | 44.5mm | \$650



SSC745 | 45.5mm | \$495







SSC747 | 45.5mm | \$495



SSC743 | 45.5mm | \$525



SSC787 | 44.0mm | \$495



SSC788 | 44.0mm | \$550



SSC376 | 44.0mm | \$495



SSC560 | 44.0mm | \$495



SSC700 | 44.0mm | \$525



SNE565 | 42.5mm | \$350



SNE412 | 42.5mm | \$350



SNE506 | 42.5mm | \$550



SRZ529 | 30.0mm | \$475



SRZ531 | 30.0mm | \$475



SRZ532 | 30.0mm | \$525



SRZ534 | 30.0mm | \$525



SKK881 | 33.3mm | \$525



SKK880 | 33.3mm | \$550



SKK878 | 33.3mm | \$575



SUT371 | 29.0mm | \$495



SUT372 | 29.0mm | \$525



SUT374 | 29.0mm | \$550



SUT380 | 29.0mm | \$525



SUP401 | 24.0mm | \$495



SUP405 | 24.0mm | \$525



SUP406 | 24.0mm | \$525





SUP378 | 24.0mm | \$395



0 29665 19027 7



SNE461 | 34.5mm | \$350



0 29665 19022 2



SNE462 | 34.5mm | \$375



0 29665 19023 9



SUT338 | 33.0mm | \$425



0 29665 19028 4



SUT340 | 33.0mm | \$450



0 29665 19029 1



SUT068 | 27.0mm | \$425



0 29665 16245 8



SUT351 | 29.0mm | \$375



0 29665 19185 4



SUP397 | 29.5mm | \$375



0 29665 19390 2



SNE243 | 39.0mm | \$395



0 29665 16557 2



SNE430 | 41.0mm | \$325



0 29665 18629 4



SUR392 | 29.0mm | \$340



0 29665 20462 2



SUR394 | 29.0mm | \$350



0 29665 20463 9



SUR396 | 29.0mm | \$375



0 29665 20464 6



SUP429 | 24.7mm | \$325



0 29665 19757 3



SUP433 | 30.3mm | \$350



0 29665 19758 0



SUP434 | 30.3mm | \$375



0 29665 19759 7



SUP360 | 28.0mm | \$350



0 29665 18865 6



SUP364 | 28.0mm | \$350



0 29665 18866 3



SFQ803 | 29.6mm | \$295



0 29665 19655 2



SFQ802 | 29.6mm | \$350



0 29665 19656 9



SFQ798 | 29.6mm | \$335



0 29665 19657 6



SUT074 | 28.0mm | \$295



0 29665 16260 1



SUT312 | 29.0mm | \$325



0 29665 18642 3



SUP173 | 22.5mm | \$275



0 29665 16255 7



SUP176 | 22.5mm | \$275



SNE457 | 44.5mm | \$450



SNE458 | 44.5mm | \$495



SSB367 | 45.2mm | \$295



SSB369 | 45.2mm | \$315



SSB371 | 42.7mm | \$315



SSB373 | 42.7mm | \$315



SUR323 | 40.8mm | \$240



SUR325 | 40.8mm | \$250



SSB333 | 42.7mm | \$260



SSB331 | 42.7mm | \$315



SUR285 | 40.8mm | \$250



SSB347 | 43.9mm | \$275



SSB353 | 43.9mm | \$275



SSB345 | 43.9mm | \$315



SSB325 | 43.9mm | \$235



SSB321 | 43.9mm | \$285



SUR307 | 40.2mm | \$250



SUR309 | 40.2mm | \$250



SUR311 | 40.2mm | \$250



SUR312 | 40.2mm | \$295



SUR314 | 40.2mm | \$295



SUR343 | 40.2mm | \$250



SUR317 | 36.0mm | \$235





SUR320 | 36.0mm | \$275



SUR322 | 36.0mm | \$295



SUR348 | 36.0mm | \$295



SUR633 | 29.8mm | \$225



SUR636 | 29.8mm | \$275



SUR634 | 29.8mm | \$295



SUR632 | 29.8mm | \$275



SUR630 | 29.8mm | \$295



SUR351 | 29.8mm | \$225



SUR354 | 29.8mm | \$275



SUR629 | 29.2mm | \$275



SUR628 | 29.2mm | \$335



SUR626 | 29.2mm | \$335



SUR391 | 29.0mm | \$250



SUR382 | 29.0mm | \$325



SSB342 | 43.3mm | \$295



SSB339 | 43.3mm | \$265



SGEH88 | 40.4mm | \$220



SXDG98 | 28.7mm | \$220



SGEH89 | 40.6mm | \$215



SXDG99 | 28.7mm | \$215



SGEH90 | 40.6mm | \$240



SXDH02 | 28.7mm | \$240



SNKP27 | 39.5mm | \$275





SNKP23 | 39.5mm | \$275



SNKN37 | 43.5mm | \$225



SNKM97 | 43.5mm | \$250



SSC715 | 43.2mm | \$375



SSC721 | 43.2mm | \$395



SSC446 | 43.5mm | \$425



SSC141 | 42.5mm | \$375



SSC142 | 42.5mm | \$395



SSC143 | 42.5mm | \$425



SNE479 | 40.0mm | \$250



SNE481 | 40.0mm | \$275



SNE482 | 40.0mm | \$275



SUP396 | 27.5mm | \$350



SNE507 | 39.5mm | \$295



SUP393 | 29.0mm | \$295



SNE508 | 39.5mm | \$325



SUP394 | 29.0mm | \$325



SNE491 | 42.0mm | \$225



SNE492 | 42.0mm | \$250



SNE485 | 43.0mm | \$295



SNE487 | 43.0mm | \$250



SNE529 | 40.0mm | \$240



SNE329 | 43.0mm | \$195



SNE331 | 43.0mm | \$205





SNE361 | 43.0mm | \$250



0 29665 17687 5



SNE323 | 41.0mm | \$250



0 29665 17322 5



SNE325 | 41.0mm | \$295



0 29665 17324 9



SNE215 | 38.0mm | \$275



0 29665 16238 0



SUR360 | 39.6mm | \$225



0 29665 20403 5



SUR355 | 39.6mm | \$225



0 29665 20400 4



SUR356 | 39.6mm | \$265



0 29665 20401 1



SUR358 | 39.6mm | \$265



0 29665 20402 8



SWR033 | 32.0mm | \$265



0 29665 19791 7



SWR034 | 32.0mm | \$315



0 29665 19793 1



SRZ520 | 29.0mm | \$295



0 29665 19661 3



SFQ801 | 29.6mm | \$260



0 29665 19658 3



SFQ800 | 29.6mm | \$295



0 29665 19659 0



SUT347 | 28.0mm | \$225



0 29665 19199 1



SUT350 | 28.0mm | \$275



0 29665 19201 1



SUT349 | 28.0mm | \$295



0 29665 19200 4



SUR367 | 37.4mm | \$185



0 29665 20406 6



SUR365 | 37.4mm | \$185



0 29665 20407 3



SUR361 | 37.4mm | \$195



0 29665 20404 2



SUR363 | 37.4mm | \$215



0 29665 20405 9



SUT315 | 27.0mm | \$235



0 29665 18644 7



SUT316 | 27.0mm | \$265



0 29665 18645 4



SNE036 | 37.0mm | \$215



0 29665 15348 7



SNE032 | 37.0mm | \$215



0 29665 15346 3



SNE042 | 37.0mm | \$215



0 29665 15349 4



SUT110 | 25.0mm | \$215



0 29665 16987 7



SUT116 | 25.0mm | \$215



0 29665 16990 7



SUT118 | 25.0mm | \$215



0 29665 16991 4



SWR044 | 15.5mm | \$295



0 29665 20408 0



SWR046 | 15.5mm | \$295



0 29665 20409 7



SWR048 | 15.5mm | \$295



0 29665 20410 3



SUT222 | 26.0mm | \$265



0 29665 18172 5



SUP352 | 23.0mm | \$275



0 29665 18869 4



SUP210 | 18.5mm | \$215



0 29665 16995 2



SUT375 | 28.0mm | \$225



0 29665 19397 1



SUT376 | 28.0mm | \$225



0 29665 19398 8



SUP250 | 18.0mm | \$195



0 29665 17707 0



SUP252 | 18.0mm | \$195



0 29665 17710 0



SUP880 | 28.5mm | \$195



0 29665 17698 7



SUP896 | 28.0mm | \$215



0 29665 15647 1



SXGL61 | 16.0mm | \$195



0 29665 13290 1



SXGL62 | 16.0mm | \$195



0 29665 13289 5



SGF204 | 36.5mm | \$315



0 29665 04280 4



SGF206 | 36.5mm | \$315



0 29665 04281 1



SWZ054 | 24.5mm | \$315



0 29665 04302 3



S23159 | 36.0mm | \$265  
VISUALLY IMPAIRED



0 29665 02488 6



SWL001 | 26.0mm | \$265  
VISUALLY IMPAIRED



0 29665 08963 2

MODEL #	PAGE	RETAIL	CRYSTAL	WATER RESISTANCE	MOVEMENT	BATTERY LIFE / POWER RESERVE	LUMIBRITE	CLASP	CASE BACK	CALIBER
S23159	89	\$265.00	Hinged Acrylic Crystal	N/A	Quartz	2 Years	-	Buckle	Snap	7C17
SFQ798	52	\$335.00	Curved H	50M (5 bar)	Quartz	3 Years	-	Push 3 fold	Snap	7N00
SFQ800	81	\$295.00	Curved H	50M (5 bar)	Quartz	3 Years	-	Push 3 fold	Snap	7N00
SFQ801	81	\$260.00	Curved H	50M (5 bar)	Quartz	3 Years	-	Push 3 fold	Snap	7N00
SFQ802	52	\$350.00	Curved H	50M (5 bar)	Quartz	3 Years	-	Push 3 fold	Snap	7N00
SFQ803	52	\$295.00	Curved H	50M (5 bar)	Quartz	3 Years	-	Push 3 fold	Snap	7N00
SGEH88	68	\$220.00	Curved H	100M (10 bar)	Quartz	5 Years	-	Buckle	Snap	7N42
SGEH89	69	\$215.00	Curved H	100M (10 bar)	Quartz	5 Years	-	Push 3 fold	Snap	7N42
SGEH90	69	\$240.00	Curved H	100M (10 bar)	Quartz	5 Years	-	Push 3 fold	Snap	7N42
SGF204	88	\$315.00	H	30M (3 bar)	Quartz	5 Years	Hands & Markers	Push 3 fold	Screw	7N43
SGF206	88	\$315.00	H	30M (3 bar)	Quartz	5 Years	Hands & Markers	Push 3 fold	Screw	7N43
SKK878	42	\$575.00	S	100M (10 bar)	Quartz	3 Years	Hands & 12 o'clock marker	Push 3 fold	Snap	7N32
SKK880	42	\$550.00	S	100M (10 bar)	Quartz	3 Years	Hands & 12 o'clock marker	Push 3 fold	Snap	7N32
SKK881	42	\$525.00	S	100M (10 bar)	Quartz	3 Years	Hands & 12 o'clock marker	Push 3 fold	Snap	7N32
SNE032	84	\$215.00	H	30M (3 bar)	Solar	10-month reserve	Hands & Markers	Push 3 fold	Screw	V158
SNE036	84	\$215.00	H	30M (3 bar)	Solar	10-month reserve	Hands & Markers	Push 3 fold	Screw	V158
SNE042	84	\$215.00	H	30M (3 bar)	Solar	10-month reserve	Hands & Markers	Push 3 fold	Screw	V158
SNE215	78	\$275.00	H	100M (10 bar)	Solar	10-month reserve	Hands & Markers	Push 3 fold	Snap	V157
SNE243	47	\$395.00	H	50M (5 bar)	Solar	10-month reserve	-	Push 3 fold	Snap	V157
SNE323	78	\$250.00	H	100M (10 bar)	Solar	10-month reserve	-	Push 3 fold	Snap	V157
SNE325	78	\$295.00	H	100M (10 bar)	Solar	10-month reserve	-	Push 3 fold	Snap	V157
SNE329	77	\$195.00	H	100M (10 bar)	Solar	10-month reserve	Hands & Markers	Buckle	Screw	V158
SNE331	77	\$205.00	H	100M (10 bar)	Solar	10-month reserve	Hands & Markers	Buckle	Screw	V158
SNE361	77	\$250.00	H	100M (10 bar)	Solar	10-month reserve	Hands & Markers	Push 3 fold	Screw	V158
SNE412	39	\$350.00	S	100M (10 bar)	Solar	10-month reserve	Hands & Markers	Push 3 fold	Screw	V157
SNE430	47	\$325.00	H	100M (10 bar)	Solar	10-month reserve	-	Push 3 fold	Screw	V157
SNE441	19	\$375.00	H with magnified glass	200m Diver's	Solar	10-month reserve	Hands & Markers	Buckle	Screw	V157
SNE457	53	\$450.00	H	30M (3 bar)	Solar	10-month reserve	-	Push 3 fold	Snap	V157
SNE458	53	\$495.00	H	30M (3 bar)	Solar	10-month reserve	-	Push 3 fold	Snap	V157
SNE461	45	\$350.00	Curved H	30M (3 bar)	Solar	10-month reserve	-	Push 3 fold	Snap	V157
SNE462	45	\$375.00	Curved H	30M (3 bar)	Solar	10-month reserve	-	Push 3 fold	Snap	V157
SNE479	74	\$250.00	H	30M (3 bar)	Solar	10-month reserve	-	Push 3 fold	Snap	V157
SNE481	74	\$275.00	H	30M (3 bar)	Solar	10-month reserve	-	Push 3 fold	Snap	V157
SNE482	74	\$275.00	H	30M (3 bar)	Solar	10-month reserve	-	Push 3 fold	Snap	V157
SNE485	76	\$295.00	H	100M (10 bar)	Solar	10-month reserve	Hands & Markers	Push 3 fold	Screw	V157
SNE487	76	\$250.00	H	100M (10 bar)	Solar	10-month reserve	Hands & Markers	Buckle	Screw	V157
SNE491	76	\$225.00	Curved H	100M (10 bar)	Solar	10-month reserve	-	Buckle	Screw	V157
SNE492	76	\$250.00	Curved H	100M (10 bar)	Solar	10-month reserve	-	Buckle	Screw	V157
SNE498	19	\$450.00	H	200m Diver's	Solar	10-month reserve	Hands & Markers	Buckle	Screw	V157
SNE506	39	\$550.00	S	100M (10 bar)	Solar	10-month reserve	Hands & Markers	Push 3 fold	Screw	V157
SNE507	75	\$295.00	H	50M (5 bar)	Solar	10-month reserve	-	Push 3 fold	Snap	V157
SNE508	75	\$325.00	H	50M (5 bar)	Solar	10-month reserve	-	Push 3 fold	Snap	V157
SNE529	76	\$240.00	S	100M (10 bar)	Solar	10-month reserve	-	Buckle	Screw	V158
SNE533	18	\$450.00	H	200m Diver's	Solar	10-month reserve	Hands & Markers	Buckle	Screw	V157
SNE535	18	\$450.00	H	200m Diver's	Solar	10-month reserve	Hands & Markers	Buckle	Screw	V157
SNE537	18	\$450.00	H	200m Diver's	Solar	10-month reserve	Hands & Markers	Buckle	Screw	V157
SNE545	17	\$450.00	H	200m Diver's	Solar	10-month reserve	Hands & Markers	Buckle	Screw	V157
SNE547	17	\$450.00	H	200m Diver's	Solar	10-month reserve	Hands & Markers	Buckle	Screw	V157



MODEL #	PAGE	RETAIL	CRYSTAL	WATER RESISTANCE	MOVEMENT	BATTERY LIFE / POWER RESERVE	LUMIBRITE	CLASP	CASE BACK	CALIBER
SNE549	19	\$395.00	H with magnified glass	200m Diver's	Solar	10-month reserve	Hands & Markers	Push 3 fold with secure lock & extender	Screw	V157
SNE565	39	\$350.00	S	100M (10 bar)	Solar	10-month reserve	Hands & Markers	Push 3 fold	Screw	V157
SNJ025	15	\$525.00	H	200m Diver's	Solar Analog/Digital	6-month reserve	Hands & Markers	Buckle	Screw	H851
SNJ027	15	\$525.00	H	200m Diver's	Solar Analog/Digital	6-month reserve	Hands & Markers	Buckle	Screw	H851
SNJ029	15	\$550.00	H	200m Diver's	Solar Analog/Digital	6-month reserve	Hands & Markers	Buckle	Screw	H851
SNJ031	15	\$550.00	H	200m Diver's	Solar Analog/Digital	6-month reserve	Hands & Markers	Buckle	Screw	H851
SNKM97	71	\$250.00	H	50M (5 bar)	Automatic	41-hour power reserve	-	Push 3 fold	Screw See-through	7S26
SNKN37	71	\$225.00	H	50M (5 bar)	Automatic	41-hour power reserve	-	Buckle	Screw See-through	7S26
SNKP23	70	\$275.00	H	50M (5 bar)	Automatic	41-hour power reserve	-	Push 3 fold	Screw See-through	7S26
SNKP27	70	\$275.00	H	50M (5 bar)	Automatic	41-hour power reserve	-	Buckle	Screw See-through	7S26
SRP837	25	\$450.00	Box Shaped H	50M (5 bar)	Automatic	41-hour power reserve	-	Deployment	Screw See-through	4R35
SRP839	26	\$450.00	Box Shaped H	50M (5 bar)	Automatic	41-hour power reserve	-	Deployment	Screw See-through	4R35
SRP841	25	\$450.00	Box Shaped H	50M (5 bar)	Automatic	41-hour power reserve	-	Deployment	Screw See-through	4R35
SRPB41	28	\$450.00	Box Shaped H	50M (5 bar)	Automatic	41-hour power reserve	-	Deployment	Screw See-through	4R35
SRPB43	28	\$425.00	Box Shaped H	50M (5 bar)	Automatic	41-hour power reserve	-	Push 3 fold	Screw See-through	4R35
SRPB46	28	\$495.00	Box Shaped H	50M (5 bar)	Automatic	41-hour power reserve	-	Push 3 fold	Screw See-through	4R35
SRPB53	11	\$495.00	H	200m Diver's	Automatic	41-hour power reserve	Hands & Markers	Buckle	Screw	4R35
SRPB77	28	\$450.00	Box Shaped H	50M (5 bar)	Automatic	41-hour power reserve	-	Deployment	Screw See-through	4R35
SRPC07	9	\$525.00	H	200m Diver's	Automatic	41-hour power reserve	Hands & Markers	Push 3 fold with secure lock & extender	Screw	4R35
SRPC44	7	\$525.00	H	200m Diver's	Automatic	41-hour power reserve	Hands & Markers	Buckle	Screw	4R36
SRPC91	7	\$495.00	H	200m Diver's	Automatic	41-hour power reserve	Hands & Markers	Buckle	Screw	4R36
SRPC93	9	\$525.00	H	200m Diver's	Automatic	41-hour power reserve	Hands & Markers	Push 3 fold with secure lock & extender	Screw	4R35
SRPD09	11	\$525.00	H	200m Diver's	Automatic	41-hour power reserve	Hands & Markers	Buckle	Screw	4R35
SRPD11	6	\$575.00	H	200m Diver's	Automatic	41-hour power reserve	Hands & Markers	Push 3 fold with secure lock & extender	Screw	4R36
SRPD21	6	\$525.00	H	200m Diver's	Automatic	41-hour power reserve	Hands & Markers	Push 3 fold with secure lock & extender	Screw	4R36
SRPD23	9	\$525.00	H	200m Diver's	Automatic	41-hour power reserve	Hands & Markers	Push 3 fold with secure lock & extender	Screw	4R35
SRPD25	13	\$525.00	H with magnified glass	200m Diver's	Automatic	41-hour power reserve	Hands & Markers	Push 3 fold with secure lock & extender	Screw	4R36
SRPD27	13	\$495.00	H with magnified glass	200m Diver's	Automatic	41-hour power reserve	Hands & Markers	Buckle	Screw	4R36
SRPD37	28	\$425.00	Box Shaped H	50M (5 bar)	Automatic	41-hour power reserve	-	Push 3 fold	Screw See-through	4R35
SRPD39	31	\$525.00	Dual curved S	30M (3 bar)	Automatic	41-hour power reserve	-	Deployment	Screw See-through	4R35
SRPD41	31	\$525.00	Dual curved S	30M (3 bar)	Automatic	41-hour power reserve	-	Deployment	Screw See-through	4R35
SRPE03	5	\$625.00	S with magnified glass	200m Diver's	Automatic	41-hour power reserve	Hands & Markers	Push 3 fold with secure lock & extender	Screw	4R36
SRPE05	5	\$595.00	S with magnified glass	200m Diver's	Automatic	41-hour power reserve	Hands & Markers	Buckle	Screw	4R36
SRPE07	5	\$595.00	S with magnified glass	200m Diver's	Automatic	41-hour power reserve	Hands & Markers	Buckle	Screw	4R36
SRPE15	26	\$450.00	Box Shaped H	50M (5 bar)	Automatic	41-hour power reserve	-	Deployment	Screw See-through	4R35
SRPE17	25	\$450.00	Box Shaped H	50M (5 bar)	Automatic	41-hour power reserve	-	Deployment	Screw See-through	4R35
SRPE19	25	\$450.00	Box Shaped H	50M (5 bar)	Automatic	41-hour power reserve	-	Deployment	Screw See-through	4R35
SRPE27	13	\$525.00	H with magnified glass	200m Diver's	Automatic	41-hour power reserve	Hands & Markers	Push 3 fold with secure lock & extender	Screw	4R36
SRPE33	4	\$625.00	S with magnified glass	200m Diver's	Automatic	41-hour power reserve	Hands & Markers	Push 3 fold with secure lock & extender	Screw	4R35
SRPE35	8	\$625.00	S with magnified glass	200m Diver's	Automatic	41-hour power reserve	Hands & Markers	Push 3 fold with secure lock & extender	Screw	4R35

MODEL #	PAGE	RETAIL	CRYSTAL	WATER RESISTANCE	MOVEMENT	BATTERY LIFE / POWER RESERVE	LUMIBRITE	CLASP	CASE BACK	CALIBER
SRPE37	8	\$595.00	S with magnified glass	200m Diver's	Automatic	41-hour power reserve	Hands & Markers	Buckle	Screw	4R35
SRPE39	4	\$625.00	S with magnified glass	200m Diver's	Automatic	41-hour power reserve	Hands & Markers	Push 3 fold with secure lock & extender	Screw	4R36
SRPE41	29	\$425.00	Box Shaped H	50M (5 bar)	Automatic	41-hour power reserve	-	Push 3 fold	Screw See-through	4R35
SRPE43	29	\$425.00	Box Shaped H	50M (5 bar)	Automatic	41-hour power reserve	-	Push 3 fold	Screw See-through	4R35
SRPE45	29	\$425.00	Box Shaped H	50M (5 bar)	Automatic	41-hour power reserve	-	Push 3 fold	Screw See-through	4R35
SRPE93	7	\$495.00	H	200m Diver's	Automatic	41-hour power reserve	Hands & Markers	Buckle	Screw	4R36
SRPE99	6	\$550.00	H	200m Diver's	Automatic	41-hour power reserve	Hands & Markers	Push 3 fold with secure lock & extender	Screw	4R36
SRPF03	10	\$525.00	H	200m Diver's	Automatic	41-hour power reserve	Hands & Markers	Push 3 fold with secure lock & extender	Screw	4R35
SRPF09	10	\$550.00	H	200m Diver's	Automatic	41-hour power reserve	Hands & Markers	Push 3 fold with secure lock & extender	Screw	4R35
SRPF51	31	\$525.00	Dual curved S	30M (3 bar)	Automatic	41-hour power reserve	-	Deployment	Screw See-through	4R35
SRPF53	31	\$525.00	Dual curved S	30M (3 bar)	Automatic	41-hour power reserve	-	Deployment	Screw See-through	4R35
SRPF54	23	\$525.00	Box Shaped H	50M (5 bar)	Automatic	41-hour power reserve	-	Deployment	Screw See-through	4R35
SRPF55	23	\$450.00	Box Shaped H	50M (5 bar)	Automatic	41-hour power reserve	-	Push 3 fold	Screw See-through	4R35
SRZ520	80	\$295.00	Curved H	50M (5 bar)	Quartz	3 Years	-	Push 3 fold	Snap	7N01
SRZ529	41	\$475.00	S	50M (5 bar)	Quartz	3 Years	-	Push 3 fold	Snap	7N01
SRZ531	41	\$475.00	S	50M (5 bar)	Quartz	3 Years	-	Push 3 fold	Snap	7N01
SRZ532	41	\$525.00	S	50M (5 bar)	Quartz	3 Years	-	Push 3 fold	Snap	7N01
SRZ534	41	\$525.00	S	50M (5 bar)	Quartz	3 Years	-	Push 3 fold	Snap	7N01
SSA343	27	\$575.00	Box Shaped H	50M (5 bar)	Automatic	41-hour power reserve	-	Push 3 fold	Screw See-through	4R57
SSA346	27	\$650.00	Box Shaped H	50M (5 bar)	Automatic	41-hour power reserve	-	Push 3 fold	Screw See-through	4R57
SSA393	27	\$575.00	Box Shaped H	50M (5 bar)	Automatic	41-hour power reserve	-	Push 3 fold	Screw See-through	4R57
SSA395	30	\$675.00	Dual curved S	30M (3 bar)	Automatic	41-hour power reserve	-	Deployment	Screw See-through	4R57
SSA397	30	\$675.00	Dual curved S	30M (3 bar)	Automatic	41-hour power reserve	-	Deployment	Screw See-through	4R57
SSA405	24	\$475.00	Box Shaped H	50M (5 bar)	Automatic	41-hour power reserve	-	Push 3 fold	Screw See-through	4R38
SSA407	24	\$475.00	Box Shaped H	50M (5 bar)	Automatic	41-hour power reserve	-	Push 3 fold	Screw See-through	4R38
SSA783	24	\$475.00	Box Shaped H	50M (5 bar)	Automatic	41-hour power reserve	-	Push 3 fold	Screw See-through	4R38
SSA785	24	\$475.00	Box Shaped H	50M (5 bar)	Automatic	41-hour power reserve	-	Push 3 fold	Screw See-through	4R38
SSB321	59	\$285.00	H	100M (10 bar)	Quartz Chronograph	3 Years	Hands & 12 o'clock marker	Push 3 fold	Screw	8T67
SSB325	59	\$235.00	H	100M (10 bar)	Quartz Chronograph	3 Years	Hands & 12 o'clock marker	Buckle	Screw	8T67
SSB331	58	\$315.00	Curved H	100M (10 bar)	Quartz Chronograph	3 Years	Hands & 12 o'clock marker	Push 3 fold	Screw	8T67
SSB333	58	\$260.00	Curved H	100M (10 bar)	Quartz Chronograph	3 Years	Hands & 12 o'clock marker	Buckle	Screw	8T67
SSB339	68	\$265.00	Curved H	100M (10 bar)	Quartz Chronograph	3 Years	-	Push 3 fold	Screw	8T63
SSB342	68	\$295.00	Curved H	100M (10 bar)	Quartz Chronograph	3 Years	-	Buckle	Screw	8T63
SSB345	59	\$315.00	H	100M (10 bar)	Quartz Chronograph	3 Years	Hands & 12 o'clock marker	Push 3 fold	Screw	8T63
SSB347	59	\$275.00	H	100M (10 bar)	Quartz Chronograph	3 Years	Hands & 12 o'clock marker	Buckle	Screw	8T63
SSB353	59	\$275.00	H	100M (10 bar)	Quartz Chronograph	3 Years	Hands & 12 o'clock marker	Buckle	Screw	8T63
SSB367	55	\$295.00	Curved H	100M (10 bar)	Quartz Chronograph	3 Years	Hands, markers, and numerals	Buckle	Screw	8T63
SSB369	55	\$315.00	Curved H	100M (10 bar)	Quartz Chronograph	3 Years	Hands, markers, and numerals	Buckle	Screw	8T63

MODEL #	PAGE	RETAIL	CRYSTAL	WATER RESISTANCE	MOVEMENT	BATTERY LIFE / POWER RESERVE	LUMIBRITE	CLASP	CASE BACK	CALIBER
SSB371	56	\$315.00	Curved H	100M (10 bar)	Quartz Chronograph	3 Years	Hands, markers, and numerals	Buckle	Screw	8T67
SSB373	56	\$315.00	Curved H	100M (10 bar)	Quartz Chronograph	3 Years	Hands, markers, and numerals	Buckle	Screw	8T67
SSC141	73	\$375.00	H	100M (10 bar)	Solar Alarm Chronograph	6-month reserve	Hands & Markers	Push 3 fold	Screw	V172
SSC142	73	\$395.00	H	100M (10 bar)	Solar Alarm Chronograph	6-month reserve	Hands & Markers	Push 3 fold	Screw	V172
SSC143	73	\$425.00	H	100M (10 bar)	Solar Alarm Chronograph	6-month reserve	Hands & Markers	Push 3 fold	Screw	V172
SSC376	38	\$495.00	S	100M (10 bar)	Solar Perpetual Chronograph	6-month reserve	Hands & Markers	Push 3 fold	Screw	V198
SSC446	72	\$425.00	H	100M (10 bar)	Solar Chronograph	6-month reserve	Hands & Markers	Push 3 fold	Screw	V175
SSC560	38	\$495.00	S	100M (10 bar)	Solar Perpetual Chronograph	6-month reserve	Hands & Markers	Push 3 fold	Screw	V198
SSC700	38	\$525.00	S	100M (10 bar)	Solar Perpetual Chronograph	6-month reserve	Hands & Markers	Push 3 fold	Screw	V198
SSC701	11	\$450.00	H	200m Diver's	Solar Chronograph	6-month reserve	Hands & Markers	Buckle	Screw	V175
SSC715	72	\$375.00	H	100M (10 bar)	Solar Chronograph	6-month reserve	Hands & Markers	Push 3 fold	Screw	V176
SSC721	72	\$395.00	H	100M (10 bar)	Solar Chronograph	6-month reserve	Hands & Markers	Push 3 fold	Screw	V176
SSC743	36	\$525.00	S	100M (10 bar)	Solar Chronograph with power reserve indicator	6-month reserve	Hands & Markers	Push 3 fold	Screw	V192
SSC745	36	\$495.00	S	100M (10 bar)	Solar Chronograph with power reserve indicator	6-month reserve	Hands & Markers	Buckle	Screw	V192
SSC747	36	\$495.00	S	100M (10 bar)	Solar Chronograph with power reserve indicator	6-month reserve	Hands & Markers	Buckle	Screw	V192
SSC787	37	\$495.00	S	100M (10 bar)	Solar Perpetual Chronograph	6-month reserve	Hands & Markers	Push 3 fold	Screw	V198
SSC788	37	\$550.00	S	100M (10 bar)	Solar Perpetual Chronograph	6-month reserve	Hands & Markers	Push 3 fold	Screw	V198
SSG009	34	\$595.00	S	100M (10 bar)	Radio Sync Solar Chronograph	6-month reserve	Hands & Markers	Push 3 fold	Glass (fixed)	8B92
SSG010	34	\$650.00	S	100M (10 bar)	Radio Sync Solar Chronograph	6-month reserve	Hands & Markers	Push 3 fold	Glass (fixed)	8B92
SSG015	19	\$595.00	H with anti-reflective coating	100M (10 bar)	Radio Sync Solar Chronograph	6-month reserve	Hands & Markers	Buckle	Glass (fixed)	8B92
SSG019	35	\$595.00	S	100M (10 bar)	Radio Sync Solar Dual Time	6-month reserve	Hands & Markers	Push 3 fold	Glass (fixed)	8B63
SSG020	35	\$650.00	S	100M (10 bar)	Radio Sync Solar Dual Time	6-month reserve	Hands & Markers	Push 3 fold	Glass (fixed)	8B63
SSG021	34	\$695.00	S	100M (10 bar)	Radio Sync Solar Chronograph	6-month reserve	Hands & Markers	Push 3 fold	Glass (fixed)	8B92
SUP173	53	\$275.00	Curved H	30M (3 bar)	Solar	12-month reserve	-	Push 3 fold	Snap	V115
SUP176	53	\$275.00	Curved H	30M (3 bar)	Solar	12-month reserve	-	Push 3 fold	Snap	V115
SUP210	85	\$215.00	H	30M (3 bar)	Solar	12-month reserve	-	Push 3 fold	Snap	V115
SUP250	87	\$195.00	H	30M (3 bar)	Solar	12-month reserve	-	Buckle	Snap	V115
SUP252	87	\$195.00	H	30M (3 bar)	Solar	12-month reserve	-	Buckle	Snap	V115
SUP352	85	\$275.00	Curved H	30M (3 bar)	Solar	12-month reserve	-	Push 3 fold	Snap	V115
SUP360	51	\$350.00	Curved H	30M (3 bar)	Solar	12-month reserve	-	Push 3 fold	Snap	V115
SUP364	51	\$350.00	Curved H	30M (3 bar)	Solar	12-month reserve	-	Push 3 fold	Snap	V115
SUP378	45	\$395.00	Curved H	30M (3 bar)	Solar	12-month reserve	-	Push 3 fold	Snap	V115

MODEL #	PAGE	RETAIL	CRYSTAL	WATER RESISTANCE	MOVEMENT	BATTERY LIFE / POWER RESERVE	LUMIBRITE	CLASP	CASE BACK	CALIBER
SUP393	75	\$295.00	H	50M (5 bar)	Solar	12-month reserve	-	Push 3 fold	Snap	V115
SUP394	75	\$325.00	H	50M (5 bar)	Solar	12-month reserve	-	Push 3 fold	Snap	V115
SUP396	74	\$350.00	H	30M (3 bar)	Solar	12-month reserve	-	Push 3 fold	Snap	V115
SUP397	47	\$375.00	Curved H	50M (5 bar)	Solar	12-month reserve	-	Push 3 fold	Snap	V115
SUP401	44	\$495.00	Curved H	30M (3 bar)	Solar	12-month reserve	-	Push 3 fold	Snap	V115
SUP405	44	\$525.00	Curved H	30M (3 bar)	Solar	12-month reserve	-	Push 3 fold	Snap	V115
SUP406	44	\$525.00	Curved H	30M (3 bar)	Solar	12-month reserve	-	Push 3 fold	Snap	V115
SUP429	50	\$325.00	H	30M (3 bar)	Solar	12-month reserve	-	Buckle	Snap	V115
SUP433	50	\$350.00	Curved H	30M (3 bar)	Solar	12-month reserve	-	Push 3 fold	Snap	V115
SUP434	50	\$375.00	Curved H	30M (3 bar)	Solar	12-month reserve	-	Push 3 fold	Snap	V115
SUP880	87	\$195.00	H	30M (3 bar)	Solar	12-month reserve	-	Buckle	Snap	V115
SUP896	87	\$215.00	H	50M (5 bar)	Solar	12-month reserve	-	Buckle	Snap	V115
SUR285	58	\$250.00	Curved H	100M (10 bar)	Quartz	3 Years	Hands & 12 o'clock marker	Push 3 fold	Screw	6N76
SUR307	60	\$250.00	S	100M (10 bar)	Quartz	3 Years	Hands	Push 3 fold	Screw	6N52
SUR309	60	\$250.00	S	100M (10 bar)	Quartz	3 Years	Hands	Push 3 fold	Screw	6N52
SUR311	60	\$250.00	S	100M (10 bar)	Quartz	3 Years	Hands	Push 3 fold	Screw	6N52
SUR312	61	\$295.00	S	100M (10 bar)	Quartz	3 Years	Hands	Push 3 fold	Screw	6N52
SUR314	61	\$295.00	S	100M (10 bar)	Quartz	3 Years	Hands	Push 3 fold	Screw	6N52
SUR317	62	\$235.00	S	100M (10 bar)	Quartz	3 Years	Hands	Push 3 fold	Screw	6N42
SUR320	62	\$275.00	S	100M (10 bar)	Quartz	3 Years	Hands	Push 3 fold	Screw	6N42
SUR322	63	\$295.00	S	100M (10 bar)	Quartz	3 Years	Hands	Push 3 fold	Screw	6N42
SUR323	57	\$240.00	Curved H	100M (10 bar)	Quartz	3 Years	Hands, markers, and numerals	Buckle	Screw	6N76
SUR325	57	\$250.00	Curved H	100M (10 bar)	Quartz	3 Years	Hands, markers, and numerals	Buckle	Screw	6N76
SUR343	61	\$250.00	S	100M (10 bar)	Quartz	3 Years	Hands & Markers	Push 3 fold	Screw	6N53
SUR348	63	\$295.00	S	100M (10 bar)	Quartz	3 Years	Hands & Markers	Push 3 fold	Screw	6N43
SUR351	65	\$225.00	S	100M (10 bar)	Quartz	3 Years	Hands & Markers	Push 3 fold	Screw	6N33
SUR354	65	\$275.00	S	100M (10 bar)	Quartz	3 Years	Hands & Markers	Push 3 fold	Screw	6N33
SUR355	79	\$225.00	H	100M (10 bar)	Quartz	3 Years	Hands & Markers	Push 3 fold	Screw	6N53
SUR356	79	\$265.00	H	100M (10 bar)	Quartz	3 Years	Hands & Markers	Push 3 fold	Screw	6N53
SUR358	79	\$265.00	H	100M (10 bar)	Quartz	3 Years	Hands & Markers	Push 3 fold	Screw	6N53
SUR360	79	\$225.00	H	100M (10 bar)	Quartz	3 Years	Hands & Markers	Buckle	Screw	6N53
SUR361	82	\$195.00	H	100M (10 bar)	Quartz	3 Years	Hands & Markers	Push 3 fold	Screw	6N43
SUR363	82	\$215.00	H	100M (10 bar)	Quartz	3 Years	Hands & Markers	Push 3 fold	Screw	6N43
SUR365	82	\$185.00	H	100M (10 bar)	Quartz	3 Years	Hands & Markers	Buckle	Screw	6N43
SUR367	82	\$185.00	H	100M (10 bar)	Quartz	3 Years	Hands & Markers	Buckle	Screw	6N43
SUR382	67	\$325.00	Curved H	50M (5 bar)	Quartz	3 Years	-	Push 3 fold	Snap	6N01
SUR391	67	\$250.00	Curved H	50M (5 bar)	Quartz	3 Years	-	Push 3 fold	Snap	6N01
SUR392	49	\$340.00	Curved H	50M (5 bar)	Quartz	3 Years	-	Push 3 fold	Snap	6N01
SUR394	49	\$350.00	Curved H	50M (5 bar)	Quartz	3 Years	-	Push 3 fold	Snap	6N01
SUR396	49	\$375.00	Curved H	50M (5 bar)	Quartz	3 Years	-	Push 3 fold	Snap	6N01
SUR626	66	\$335.00	Curved H	50M (5 bar)	Quartz	3 Years	-	Push 3 fold	Snap	6N01
SUR628	66	\$335.00	Curved H	50M (5 bar)	Quartz	3 Years	-	Push 3 fold	Snap	6N01
SUR629	66	\$275.00	Curved H	50M (5 bar)	Quartz	3 Years	-	Push 3 fold	Snap	6N01
SUR630	65	\$295.00	S	100M (10 bar)	Quartz	3 Years	Hands	Push 3 fold	Screw	6N22
SUR632	65	\$275.00	S	100M (10 bar)	Quartz	3 Years	Hands	Push 3 fold	Screw	6N22
SUR633	64	\$225.00	S	100M (10 bar)	Quartz	3 Years	Hands	Push 3 fold	Screw	6N22
SUR634	64	\$295.00	S	100M (10 bar)	Quartz	3 Years	Hands	Push 3 fold	Screw	6N22
SUR636	64	\$275.00	S	100M (10 bar)	Quartz	3 Years	Hands	Push 3 fold	Screw	6N22

MODEL #	PAGE	RETAIL	CRYSTAL	WATER RESISTANCE	MOVEMENT	BATTERY LIFE / POWER RESERVE	LUMIBRITE	CLASP	CASE BACK	CALIBER
SUT068	46	\$425.00	H	50M (5 bar)	Solar	6-month reserve	Hands & Markers	Push 3 fold	Snap	V137
SUT074	52	\$295.00	H	30M (3 bar)	Solar	6-month reserve	-	Push 3 fold	Snap	V137
SUT110	84	\$215.00	H	30M (3 bar)	Solar	6-month reserve	Hands & Markers	Push 3 fold	Screw	V138
SUT116	84	\$215.00	H	30M (3 bar)	Solar	6-month reserve	-	Push 3 fold	Screw	V138
SUT118	84	\$215.00	H	30M (3 bar)	Solar	6-month reserve	-	Push 3 fold	Screw	V138
SUT222	85	\$265.00	H	100M (10 bar)	Solar	6-month reserve	-	Push 3 fold	Snap	V137
SUT312	52	\$325.00	Curved H	30M (3 bar)	Solar	6-month reserve	-	Push 3 fold	Snap	V137
SUT315	83	\$235.00	H	100M (10 bar)	Solar	6-month reserve	-	Push 3 fold	Snap	V137
SUT316	83	\$265.00	H	100M (10 bar)	Solar	6-month reserve	-	Push 3 fold	Snap	V137
SUT338	46	\$425.00	H	50M (5 bar)	Solar	6-month reserve	-	Push 3 fold	Snap	V137
SUT340	46	\$450.00	H	50M (5 bar)	Solar	6-month reserve	-	Push 3 fold	Snap	V137
SUT347	81	\$225.00	Curved H	30M (3 bar)	Solar	6-month reserve	-	Push 3 fold	Snap	V137
SUT349	81	\$295.00	Curved H	30M (3 bar)	Solar	6-month reserve	-	Push 3 fold	Snap	V137
SUT350	81	\$275.00	Curved H	30M (3 bar)	Solar	6-month reserve	-	Push 3 fold	Snap	V137
SUT351	47	\$375.00	H	50M (5 bar)	Solar	6-month reserve	-	Push 3 fold	Snap	V137
SUT371	43	\$495.00	H	50M (5 bar)	Solar	6-month reserve	-	Push 3 fold	Snap	V137
SUT372	43	\$525.00	H	50M (5 bar)	Solar	6-month reserve	-	Push 3 fold	Snap	V137
SUT374	43	\$550.00	H	50M (5 bar)	Solar	6-month reserve	-	Push 3 fold	Snap	V137
SUT375	86	\$225.00	Curved H	30M (3 bar)	Solar	6-month reserve	-	Buckle	Snap	V137
SUT376	86	\$225.00	Curved H	30M (3 bar)	Solar	6-month reserve	-	Buckle	Snap	V137
SUT380	43	\$525.00	H	50M (5 bar)	Solar	6-month reserve	-	Push 3 fold	Snap	V137
SWL001	89	\$265.00	Hinged Acrylic Crystal	N/A	Quartz	3 Years	-	Buckle	Snap	4J27
SWR033	80	\$265.00	Curved H	50M (5 bar)	Quartz	3 Years	-	Push 3 fold	Snap	4N30
SWR034	80	\$315.00	Curved H	50M (5 bar)	Quartz	3 Years	-	Push 3 fold	Snap	4N30
SWR044	85	\$295.00	H	30M (3 bar)	Solar	3 Years	-	Push 3 fold	Snap	4N30
SWR046	85	\$295.00	H	30M (3 bar)	Solar	3 Years	-	Push 3 fold	Snap	4N30
SWR048	85	\$295.00	H	30M (3 bar)	Solar	3 Years	-	Push 3 fold	Snap	4N30
SWZ054	88	\$315.00	H	30M (3 bar)	Quartz	3 Years	Hands & Markers	Push 3 fold	Screw	7N83
SXDG98	68	\$220.00	Curved H	100M (10 bar)	Quartz	3 Years	-	Buckle	Snap	7N82
SXDG99	69	\$215.00	Curved H	100M (10 bar)	Quartz	3 Years	-	Push 3 fold	Snap	7N82
SXDH02	69	\$240.00	Curved H	100M (10 bar)	Quartz	3 Years	-	Push 3 fold	Snap	7N82
SXGL61	88	\$195.00	H	30M (3 bar)	Quartz	2 Years	-	Jewelry Clasp	Snap	1N01
SXGL62	88	\$195.00	H	30M (3 bar)	Quartz	2 Years	-	Jewelry Clasp	Snap	1N01

Style Nos. SRPE39, SRPE33





All Seiko watches have a 3-year limited warranty.

**Repairs and Servicing**  
Service Center: (201) 529-3316  
Website: seikoserviceusa.com

**General Inquiries**  
(201) 529-5730  
Custserv@seikousa.com

**SEIKO**  
SINCE 1881

[SeikoWatchesUSA.com](http://SeikoWatchesUSA.com)

1111 Macarthur Boulevard, Mahwah, New Jersey 07430

©2020 Seiko HOLDINGS CORPORATION  
Seiko is a registered trademark of Seiko Holdings Corporation.  
All prices and specifications subject to change.

Printed June 2020



SFLC2020