

ORBITA®

ADVANCED WATCHWINDER TECHNOLOGY



Founded in 1996 in Wilmington, North Carolina, Orbita now is the leading producer and provider of premium watch winders in the world.

While Orbita did not invent the mechanical exercising of watches, the company did introduce a new, unprecedented level of quality. We began our endeavor by learning everything we could about mechanical watches, and then we researched the gentlest way to wind them. From inception, Orbita's company philosophy has been to create products of lasting value and exceptional attention to detail; products that people enjoy owning because they work perfectly and are pleasing to the eye.

At Orbita, we pride ourselves on proprietary developments, creating leading edge winding technology based on fresh ideas, innovative systems and superior components. Our drives, gears and controls are meticulously designed and fine tuned for the precise needs of every watch movement produced today.

Additionally, we carefully select only the finest, timeless materials for our products, including handcrafted and detailed marquetry, the best grades of leather, sophisticated multi-layered lacquering, and the most modern carbon fibers.

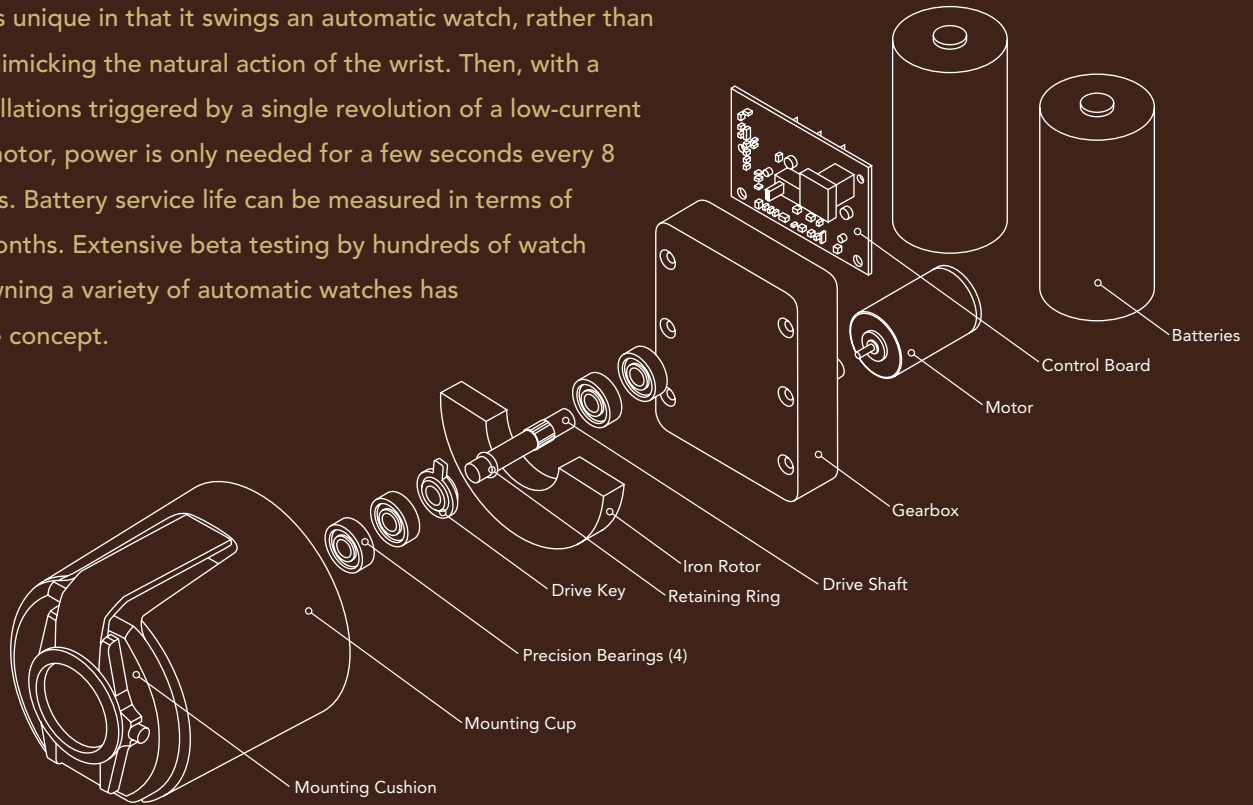
We are honored to have earned the confidence of timepiece collectors and premium watch manufacturers throughout the world, and pledge to uphold those standards that earned your respect. We sincerely hope you enjoy your Orbita watch winder, in whatever time zone you call home.

Advanced Winding Technology, For Your Lifestyle.

Mechanical watches require winding motions that are tailored to their specific construction in order to wind them in a gentle and safe manner. Orbita offers two made-in-the-USA, patented movements to accomplish that task. Both movements feature ball-bearing construction and solid-state controls to insure a long and maintenance-free life.

ROTORWIND® MOVEMENT

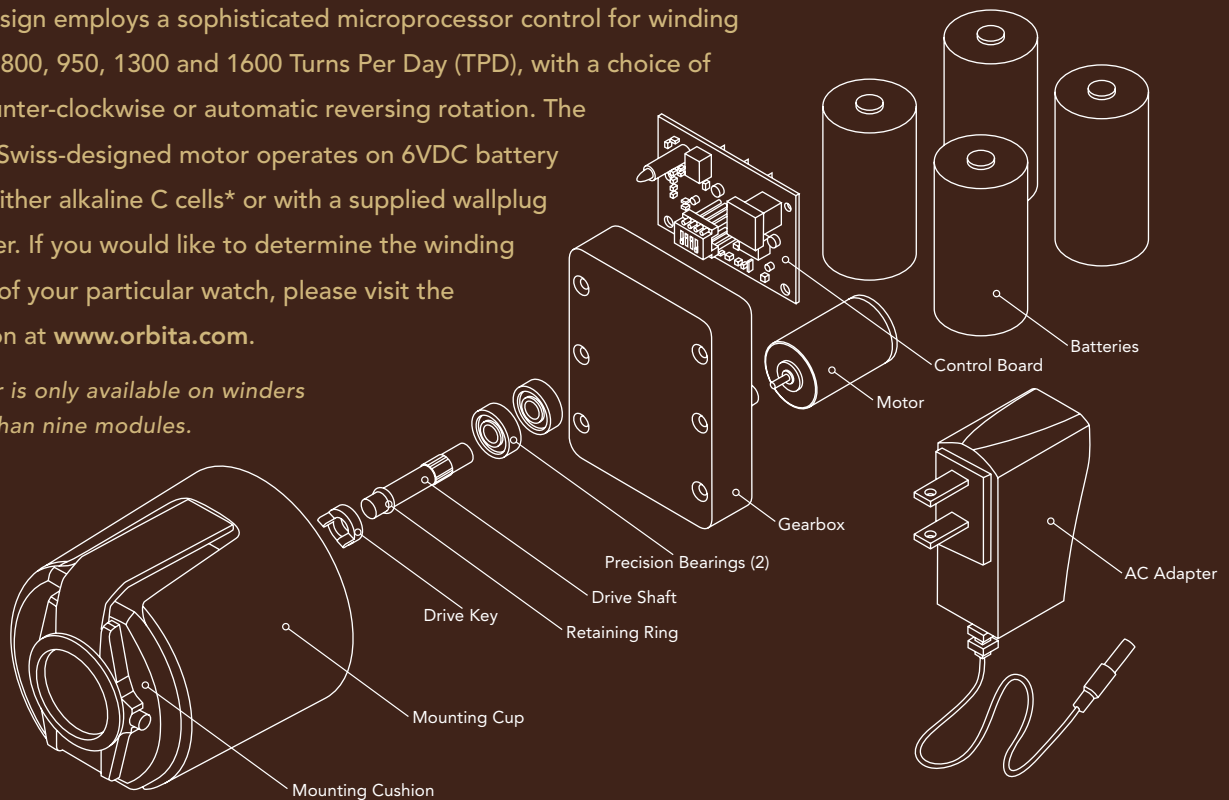
This design is unique in that it swings an automatic watch, rather than rotating it, mimicking the natural action of the wrist. Then, with a series of oscillations triggered by a single revolution of a low-current draw-drive motor, power is only needed for a few seconds every 8 or 12 minutes. Battery service life can be measured in terms of years, not months. Extensive beta testing by hundreds of watch collectors owning a variety of automatic watches has validated the concept.



PROGRAMMABLE MOVEMENT

This classic design employs a sophisticated microprocessor control for winding cycles of 650, 800, 950, 1300 and 1600 Turns Per Day (TPD), with a choice of clockwise, counter-clockwise or automatic reversing rotation. The ironless core, Swiss-designed motor operates on 6VDC battery power using either alkaline C cells* or with a supplied wallplug AC/DC adapter. If you would like to determine the winding requirements of your particular watch, please visit the support section at www.orbita.com.

**Battery power is only available on winders with no more than nine modules.*



Now you see them,
now you don't. Keep as many as forty
automatic watches fully wound and have them
on display or completely hidden from view. The
elegant Italian-made cabinet houses a remote
controlled motorized lift mechanism that raises
and lowers the complete watchwinder system
on command. In the lowered position, watches
continue to be wound as programmed. Glass
doors provide no hint of what lies behind the
false mirrored panel inside.



BERGAMO 40 - DOWN POSITION



MOVEMENT	POWER	40
ROTORWIND	LITHIUM BATTERIES	
PROGRAMMABLE	AC / ALKALINE BATTERIES	
ROTORWIND	AC WALLPLUG	•
PROGRAMMABLE	AC WALLPLUG	•



Burl



Mahogany



Rosewood



Rich suede-lined drawers to keep your fine accessories. Also available in solid wood doors.



BERGAMO 40 - \$59,995

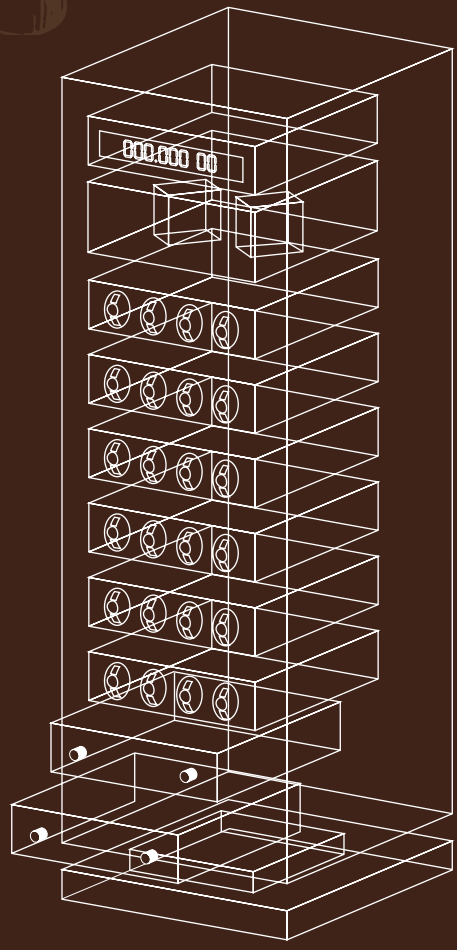


AVANTI 48 - \$49,995



Customizable to your lifestyle, the Avanti Series is housed in modular cabinets with an array of choices including winders, pen storage, digital atomic clock, jewelry case and coin displays. So let your imagination run wild and just let us know what you want and we will arrange it for you.

The tempered glass door is fitted with invisible Soss brand hinges, a concealed lock and carbon fiber trim. The side panels are made from exotic Brazilian rosewood protected by an elegant and durable high gloss finish. Each module is faced with carbon fiber trim and the pedestal base is weighted to provide stability. Available in three cabinet heights: 36", 50" and 65"; accommodating six, nine or twelve modules.



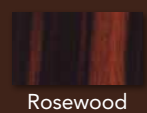
Optional 2 drawers, 16 winders, Sempre drawer and atomic clock.



Customize with optional digital atomic clock.

MOVEMENT	POWER	24	36	48
ROTORWIND	LITHIUM BATTERIES			
PROGRAMMABLE	AC / ALKALINE BATTERIES			
ROTORWIND	AC WALLPLUG	•	•	•
PROGRAMMABLE	AC WALLPLUG	•	•	•

\$29,995 | \$39,995 | \$49,995



Rosewood



AVANTI 12 - \$12,995

Display your collection with impressive, free-standing, automatic watch winders with matching pedestal bases. The lockable, Italian-made cabinet uses exotic Macassar veneers and genuine carbon fiber accents. The durable finish provides an attractive high-gloss luster that will last a lifetime. The Avanti 9 provides two storage drawers for watches or personal jewelry.

These beautiful units are available with either our patented Rotorwind® system or our Programmable system.



AVANTI 9 - \$6,995

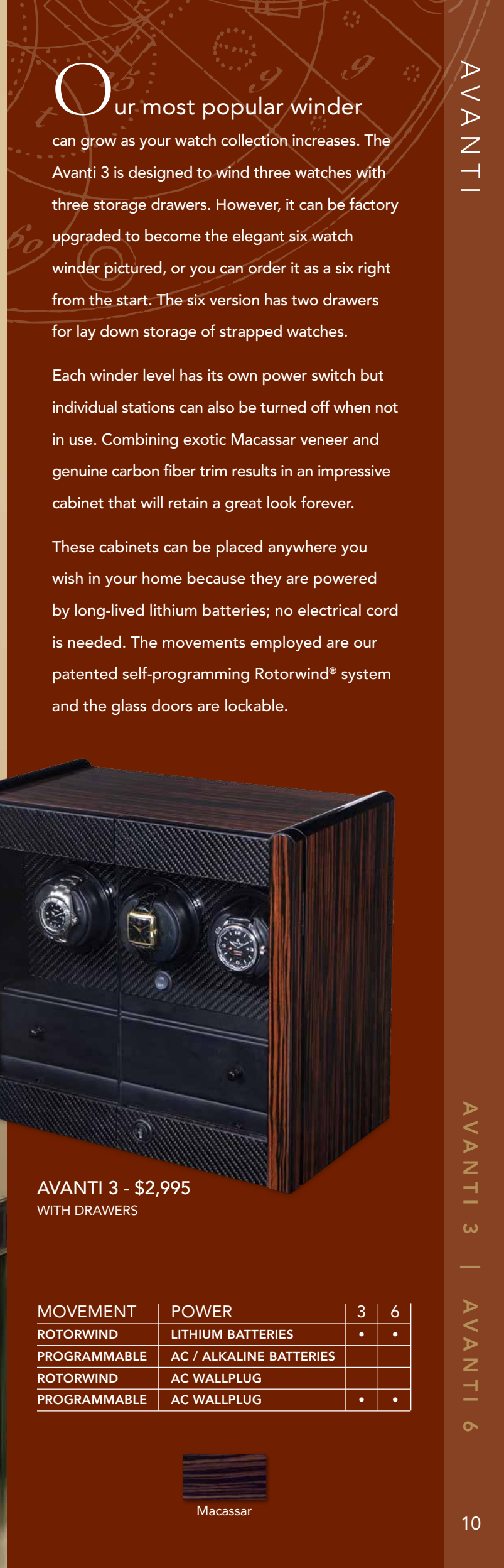
MOVEMENT	POWER	9	12
ROTORWIND	LITHIUM BATTERIES	•	
PROGRAMMABLE	AC / ALKALINE BATTERIES		
ROTORWIND	AC WALLPLUG		•
PROGRAMMABLE	AC WALLPLUG	•	•



Macassar



AVANTI 6 - \$4,995



Our most popular winder

can grow as your watch collection increases. The Avanti 3 is designed to wind three watches with three storage drawers. However, it can be factory upgraded to become the elegant six watch winder pictured, or you can order it as a six right from the start. The six version has two drawers for lay down storage of strapped watches.

Each winder level has its own power switch but individual stations can also be turned off when not in use. Combining exotic Macassar veneer and genuine carbon fiber trim results in an impressive cabinet that will retain a great look forever.

These cabinets can be placed anywhere you wish in your home because they are powered by long-lived lithium batteries; no electrical cord is needed. The movements employed are our patented self-programming Rotorwind® system and the glass doors are lockable.



AVANTI 3 - \$2,995
WITH DRAWERS

MOVEMENT	POWER	3	6
ROTORWIND	LITHIUM BATTERIES	•	•
PROGRAMMABLE	AC / ALKALINE BATTERIES		
ROTORWIND	AC WALLPLUG		
PROGRAMMABLE	AC WALLPLUG	•	•



Macassar



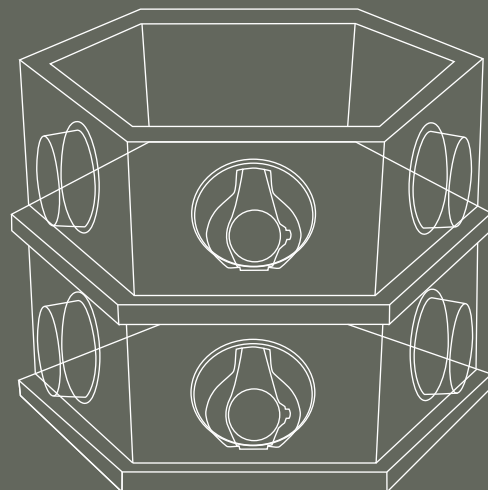
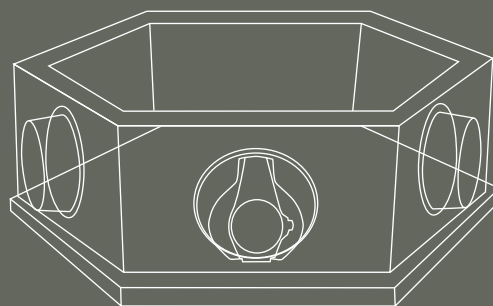
CAROLO 6 - \$4,995



The CAROLO™ watchwinder

is based on a unique carousel design that is both attractive and functional. The hexagonal case is mounted on a low profile heavy duty ball-bearing swivel which can be effortlessly rotated by hand providing access to each of the six watches. It is the perfect winder for use where space is limited.

Housed within the hexagon case are six long-life Lithium batteries. The case is fabricated with carbon fiber panels and elegant, high-gloss black lacquer finish. The CAROLO™ watchwinders can be stacked one above the other on the base unit, building up to four levels for a total of twenty-four individually powered winders.



CAROLO STACK

MOVEMENT	POWER	6
ROTORWIND	LITHIUM BATTERIES	•
PROGRAMMABLE	AC / ALKALINE BATTERIES	
ROTORWIND	AC WALLPLUG	
PROGRAMMABLE	AC WALLPLUG	



Carbon Fiber

Ampelio Gorla's masterpiece is a limited edition, each individually numbered and signed by the artist. This cabinet not only houses 30 programmable watchwinders, it is also an outstanding piece of furniture with all the characteristics that are expected in Italian design. Inset design uses exotic wood veneers and cut brass inserts to represent the artist's rendition of a daylily in bloom.

Artist Giuseppe Miniero

has crafted three cases exceptional in both quality and appearance. Intarsia designs are created with hundreds of tiny pieces of wood whose puzzle-like assembly may require up to 25 different exotic wood varieties.



GORLA - \$29,995



BLUE MARLIN - \$3,995



RED DRAGON - \$3,995



DALI - \$3,995

MOVEMENT	POWER				
ROTORWIND	LITHIUM BATTERIES		•	•	•
PROGRAMMABLE	AC / ALKALINE BATTERIES		•	•	•
ROTORWIND	AC WALLPLUG	•			
PROGRAMMABLE	AC WALLPLUG	•			

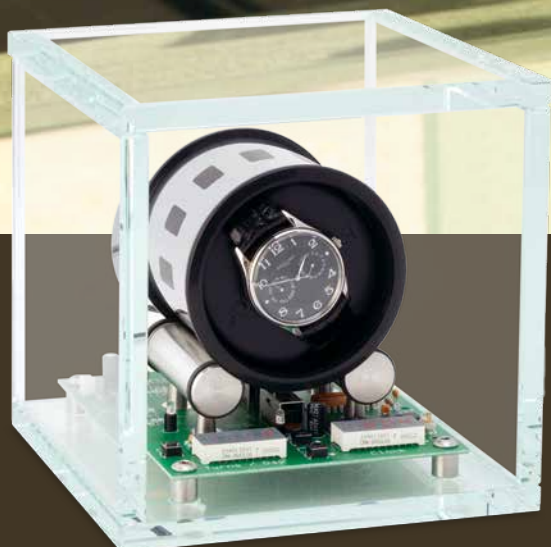
- GORLA
- RED DRAGON
- BLUE MARLIN
- DALI



DALI DETAIL

Revolutionary digital technology allowing digital displays of exact time and turns per day (TPD) are just the beginning. Truly unique is the photo-optic system that counts each cylinder rotation and automatically advances the rest position 30° after each rotation. The result is that watch accuracy errors caused by gravity are negated while any mechanical watch is on the winder. Set within the robust crystal glass sleeve enclosure, every nuance of the winder is fully visible. The digital TPD display automatically resets at midnight and several flashing blue LEDs add a dramatic visual effect. Operation is enabled by a supplied universal AC/DC power adapter.

TOURBILLON - \$2,995



TOURBILLON 1 - \$995



Individual LED displays track turns-per-day, as well as the time.

MOVEMENT	POWER	1	3
ROTORWIND	LITHIUM BATTERIES		
PROGRAMMABLE	AC / ALKALINE BATTERIES		
ROTORWIND	AC WALLPLUG		
PROGRAMMABLE	AC WALLPLUG	•	•

Classic watchwinder case designs are timeless. The sloped front case design affords perfect visibility. The top is fitted with beveled glass viewing panel and superb quadrant hinges. All interior surfaces are lined in rich suede. Drive modules simply lift out to load batteries (which are optional). Multiple layers of high gloss polyester lacquer enrich the finished case which is available in two different wood materials. The bottom surface of the case is covered in suede to prevent damage to fine furniture tops.



SIENA 3 - \$1,995

MOVEMENT	POWER	1	2	3
ROTORWIND	LITHIUM BATTERIES	•	•	•
PROGRAMMABLE	AC / ALKALINE BATTERIES	•		•
ROTORWIND	AC WALLPLUG			
PROGRAMMABLE	AC WALLPLUG			



Burl

Teak

SIENA 1 - \$695
(NOT PICTURED)



SIENA 2 - \$1,495
WITH DRAWER



SIENA 3 - \$2,195
WITH DRAWER

At your fingertips: The only winder for hand-wound watches. Totally unique in concept, the Sempre winder will wind, but never overwind, virtually any manually wound mechanical watch ever made. Replicating finger winding action, precision collets (mechanical fingers) grasp the watch crown and wind the watch as you would. An ingenious microprocessor control senses the increasing resistance as the mainspring is being wound and automatically stops winding when the watch approaches the fully wound state.



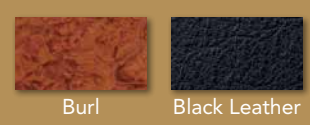
SEMPRE 1 - \$2,995



SEMPRE 2 - \$4,995

U.S. Patent No. 5,988,871 U.S. Patent No. 6,439,761 EEC Patent No. 1,220,061

MOVEMENT	POWER	1	2
ROTORWIND	LITHIUM BATTERIES		
PROGRAMMABLE	AC / ALKALINE BATTERIES	•	•
ROTORWIND	AC WALLPLUG		
PROGRAMMABLE	AC WALLPLUG		



A safe hideaway. The WallSafe was designed to provide secure, hidden protection for six or nine automatic wristwatches. Solid steel construction throughout, with a steel 3/16" pry-resistant door, the safe offers excellent burglary resistance. The pushbutton lock is easy to program and use. The sturdy fold down steel door is fitted with heavy steel support stays and a cushioned suede work surface to prevent any metal-to-metal contact. Internally mounted

Orbita long-lived lithium D cell batteries provide many years of service life. There is no need for any external power source.

The WallSafe is designed for quick and easy installation between 16" on center wall studs (2x4 or 2x6). When the WallSafe is mounted in walls with studs, trim or filler strips between the wall and the frame flanges may be required to assure an attractive installation.



WALLSAFE 9 OPEN - \$6,995



WALLSAFE 6 OPEN - \$4,995



WALLSAFE CLOSED

MOVEMENT	POWER	6	9
ROTORWIND	LITHIUM BATTERIES	•	•
PROGRAMMABLE	AC / ALKALINE BATTERIES		
ROTORWIND	AC WALLPLUG		
PROGRAMMABLE	AC WALLPLUG		

Safe and secure. The InSafe 4 and 6 were designed for the watch collector who keeps valuable watches safely stored in a safe or vault. This compact winder is equipped with a removable pedestal base to provide even more clearance for tight spaces. The winder is powered by Orbita long-lived lithium D cell batteries. In addition to a master switch, each winding head is individually powered with its own on/off switch and operating mode switch. The case is covered with durable black pebble leatherette.



INSAFE 6 - \$2,995



INSAFE 3 - \$1,595



INSAFE 4 - \$1,995



MOVEMENT	POWER	3	4	6
ROTORWIND	LITHIUM BATTERIES	•	•	•
PROGRAMMABLE	AC / ALKALINE BATTERIES			
ROTORWIND	AC WALLPLUG			
PROGRAMMABLE	AC WALLPLUG			

A new spin on a classic style. Boasting a gorgeous 10mm thick smoked, tempered glass case and sitting atop four feet, the Milano houses six of our acclaimed Rotorwind winders. The case features 6mm thick tempered glass doors, brushed nickel hinges and lock, and a customizable faceplate.



MILANO 12 - \$12,995

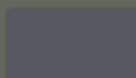


MILANO 6 - \$4,995

MOVEMENT	POWER	6	12
ROTORWIND	LITHIUM BATTERIES		
PROGRAMMABLE	AC / ALKALINE BATTERIES		
ROTORWIND	AC WALLPLUG		
PROGRAMMABLE	AC WALLPLUG	•	•



Carbon Fiber



Smoked Acrylic



Walnut



White Leather

The Do-It-Yourself module makes it easy for craftsmen to design and build custom watchwinders for closets, safes or custom furniture. Each module is supplied fully assembled and ready for installation into a creative custom setup. Extended lead wires (red and black) are provided to simplify power connection. Several different power supplies are offered. Modules are available with our patented Rotorwind® system or our Programmable system. Dimensions and mounting instruction drawings are available on our website, www.orbita.com, in the support section.



DIY MODULE ROTOWIND - \$395
 DIY MODULE PROGRAMMABLE - \$495



Create your own custom cabinet or wall installation using the Rotorwind or Programmable modules. Cabinet designed and built by Randy Gengarely using the Orbita DIY modules. Photo by Elliot Lincis.



MOVEMENT	POWER	
ROTORWIND	LITHIUM BATTERIES	•
PROGRAMMABLE	AC / ALKALINE BATTERIES	
ROTORWIND	AC WALLPLUG	
PROGRAMMABLE	AC WALLPLUG	•

A new spin on a classic style. These entry level winders are compact and lightweight. They are ideal for use in safes without the need for a plug-in adapter. Equipped with Orbita long-lived lithium D cell batteries, operation on the normal eight-minute winding cycle, the batteries will last for many years without the need for replacement. Even longer life may be accomplished by using the 12-minute extended-winding cycle, which is easily selected using the toggle switch located behind the mounting cup. The Sparta Bold is available in several powder coated finishes.



SPARTA BOLD 2 - \$595

SPARTA BOLD 1 - \$295



BLACK



BROWN



WHITE

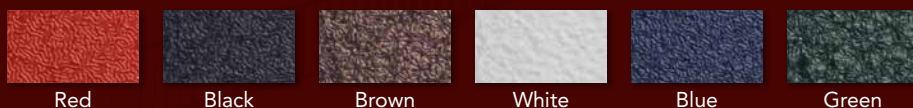


BLUE



GREEN

MOVEMENT	POWER	1	2
ROTORWIND	LITHIUM BATTERIES	•	•
PROGRAMMABLE	AC / ALKALINE BATTERIES		
ROTORWIND	AC WALLPLUG		
PROGRAMMABLE	AC WALLPLUG		



Back by popular demand, our Sparta Deluxe winders are housed in beautiful display cases. They are ideal for use in closets or on display with no need for a plug-in adapter. Equipped with Orbita long-lived lithium D cell batteries operating on the normal eight-minute winding cycle, the batteries will last for many years without the need for replacement. Even longer life may be accomplished by using the 12-minute or extended-winding cycle, which is easily selected using the toggle switch located behind the mounting cup. The Sparta Deluxe is available in stylish Teak or Burl wood grained finish.



SPARTA DELUXE 2 TEAK - \$795



SPARTA DELUXE 1 BURL - \$495

MOVEMENT	POWER	1	2
ROTORWIND	LITHIUM BATTERIES	•	•
PROGRAMMABLE	AC / ALKALINE BATTERIES		
ROTORWIND	AC WALLPLUG		
PROGRAMMABLE	AC WALLPLUG		



Burl



Teak

Get with the programmable. Employing innovative technology, the uniquely programmable Futura has a miniature gearmotor concealed within each stainless steel drive roller. The watch, mounted on the cushion, slips into the stainless steel watch cylinder which has a scratch resistant lining. Programming is simple using a hi/lo switch. Choose to use the AC/DC adapter included or operate this winder with batteries (a flashing LED signals low battery charge). The Futura is offered in a high gloss black lacquer finish with a formed acrylic dust cover.



FUTURA 3 - \$1,995



FUTURA 1 - \$695

U.S. Patent No. 6,964,513; Other Patents Pending

MOVEMENT	POWER	1	3
ROTORWIND	LITHIUM BATTERIES		
PROGRAMMABLE	AC / ALKALINE BATTERIES	•	•
ROTORWIND	AC WALLPLUG		
PROGRAMMABLE	AC WALLPLUG		

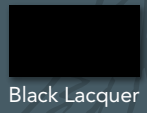


Housed in a beautiful crystal glass case, the Cristalo winder is as functional as it is attractive. Power for the Cristalo winder is provided by lithium batteries which will provide years of dependable service without attention or replacement. Operation is smooth, silent and easily programmed to properly wind any automatic wristwatch. The Cristalo is offered in a high gloss black lacquer finish with crystal glass dust cover.



CRISTALO - \$795

MOVEMENT	POWER	
ROTORWIND	LITHIUM BATTERIES	
PROGRAMMABLE	LITHIUM BATTERIES	•
ROTORWIND	AC WALLPLUG	
PROGRAMMABLE	AC WALLPLUG	



Traveling? Take this winder with you. Using the same unique mounting system employed on our Futura winders, the Voyager sets up easily wherever you are. Four AAA batteries power the concealed gearmotor or you can use the supplied AC/DC adapter. The base, stainless steel mounting cylinder and watch fit securely into the suede-lined leather carrying case.



VOYAGER 1 - \$495

U.S. Patent No. 6,964,513; Other Patents Pending

MOVEMENT	POWER	
ROTORWIND	LITHIUM BATTERIES	
PROGRAMMABLE	AC / ALKALINE BATTERIES	•
ROTORWIND	AC WALLPLUG	
PROGRAMMABLE	AC WALLPLUG	



Black Leather



VOYAGER CARRYING CASE

Need to fit a great winder into a small space? Look no further than our new Piccolo series! Built with Orbita's patented Rotorwind technology, the Piccolo is covered in an elegant black Leatherette, with a customizable face panel. It looks great on display, and it's an ideal size to place into your safe. It is powered by 2 D-Cell Lithium Ion batteries, providing an average lifespan of 4 to 5 years.



PICCOLO - \$395



MOVEMENT	POWER	
ROTORWIND	LITHIUM BATTERIES	•
PROGRAMMABLE	AC / ALKALINE BATTERIES	
ROTORWIND	AC WALLPLUG	
PROGRAMMABLE	AC WALLPLUG	

Case in point: Fine leather storage cases for 1 to 16 watches. Textured leather cases provide safe and secure storage for both bracelet and strap watches in suede-lined compartments or on suede-covered cushions. Lockable hinged cases feature gold-plated hardware and accommodate four, eight or sixteen watches. Watch rolls snap-lock and are available in versions for three or five watches. The zippered watch folder easily fits in your pocket and accommodates one or two watches.



VERONA 4 - \$495

VERONA 16 - \$995



VERONA 2 - \$195



VERONA 5 - \$395

MATERIAL	1	2	3	4	5	8	16
BLACK LEATHER	•	•	•	•	•	•	•

WATCH CASES (NOT PICTURED)

8 - \$695 | ROLL 3 - \$295



Black Leather

At home or on the go, the Roma series is ideal for storing your watch collection. Covered in exotic genuine leather, and lined inside with an elegant suede material, the Roma can be locked securely, while still providing a view of your collection through a glass window on top.



ROMA 10 - \$295



WATCH CASE (NOT PICTURED)
5 - \$195



MATERIAL	5	10
CHOCOLATE LEATHER	•	•
BLACK LEATHER	•	•
LIZARD LEATHER		•
SADDLE LEATHER	•	

The Goldlight's 24 Karat polished Gold plated end caps sandwich the hand-turned exotic bodies that identify the spectacular Goldlight series. There are five (5) user-selectable lighting programs; High Beam, Medium Beam, Low Beam, Defense Strobe and S.O.S. Signal. In addition to the selections shown, Goldlight flashlights can also be custom ordered with leather, alligator, snakeskin or other unusual body covers. Bodies can be personalized with text, logos or images for promotional use or for special gift programs. Diameter is 1 1/4" and length is 4 3/4". Weight is 11 ounces. Maximum light output is 1000 lumens.

GOLDLIGHT SERIES - \$395 - \$595



CARBON FIBER



FIDDLEBACK



IVORY



COCOBOLO

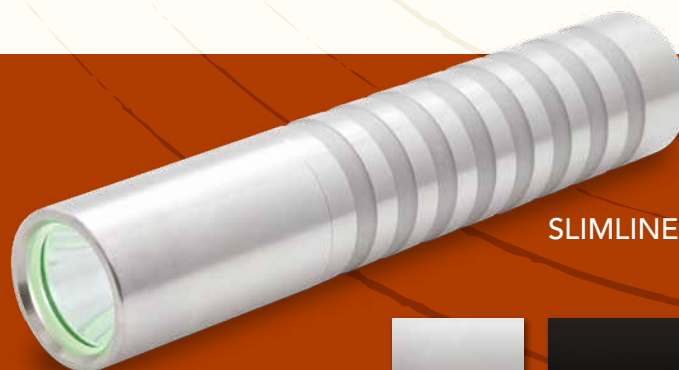


ZEBRAWOOD



THUYA BURL

The Slimline's 7/8" diameter Stainless Steel body is available with natural finish or with either Titanium Nitride Black or Gold coatings. Textured grooves along the body provide a sure grip, even when wet. There are five (5) user-selectable lighting programs; High Beam, Medium Beam, Low Beam, Defense Strobe and S.O.S. Signal. Maximum light output is 1000 lumens. Dust proof and water proof to IP67 Standard.



SLIMLINE - \$195



Stainless

Black

Gold

Luxury LED Flashlights, powered by a high-energy rechargeable #18650 lithium-ion battery, deliver an unprecedented level of intense white light with great efficacy. The XLamp® LED emitters, made by CREE Inc. (a fine example of American technology) provide pure white light output and are life rated for 100,000 hours of operation. The LED is mounted in a machined and polished aluminum parabolic reflector, which also acts as a heat sink, and is protected by a sealed clear sapphire crystal lens which is scratchproof and impact resistant. All structural components are machined from solid 18/8 stainless steel bar and there are no flimsy stamped metal or plastic parts. Choose from three distinctive series.

LIGHTHOUSE SERIES - \$295

The Lighthouse's unique tie-rod construction allows use as both a brilliant flashlight and a low power lantern. There are six (6) user-selectable lighting programs; High Beam, Low Beam, Defense Strobe, S.O.S. Signal, Lantern Mode and Beacon Mode. By softly pressing the glow-in-the-dark power button, or double clicking it, you can scroll through and select any one of the six modes of operation. Turn power on or off in any selected mode with a single click. A handy lantern base to stand the flashlight upright is included. Choose full tie-bar Stainless, Carbon Fiber or one of several hand-turned exotic wood bodies. Diameter is 1 1/4" and length is 4 3/4". Weight is 7 ounces. Dust proof and splash proof to IP54 Standard. Output is 350 lumens.



CARBON FIBER



COCOBOLO



ZEBRAWOOD



STAINLESS



FIDDLEBACK



HOLSTER CASE



BATTERY CHARGING STATION



RECHARGEABLE LITHIUM BATTERIES



LANTERN STAND

*Stainless supplied with nylon case



ORBITA[®]
WATCHWINDERS

www.orbita.com 800.800.4436

MADE IN THE USA ORBITA CORPORATION
6740 Netherlands Drive, Suite D, Wilmington, NC 28405
TEL: 910.256.5300 FAX: 910.256.5356
EMAIL: info@orbita.com WEBSITE: www.orbita.com 