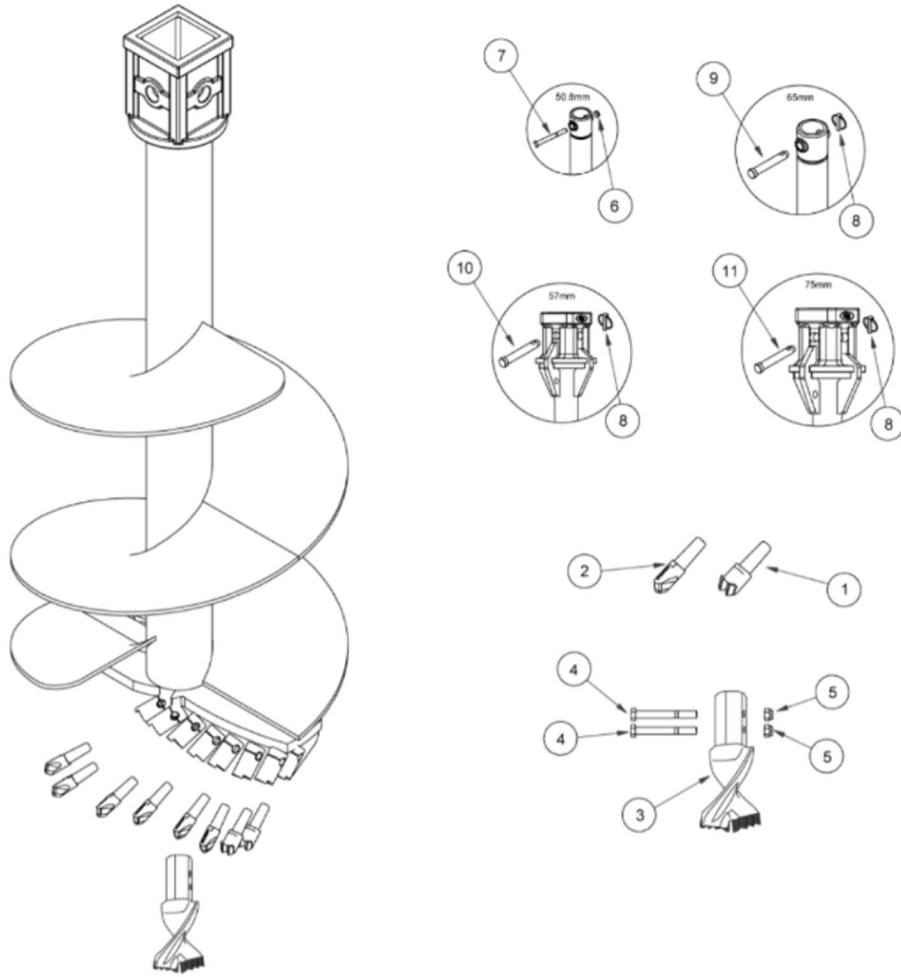


RC4
WEARPARTS



NO.	PART NO.	DESCRIPTION
1	TTD-3	MORSE TAPER TOOTH - TWIN CARBIDE TIPS
2	TTS-3	MORSE TAPER TOOTH - SINGLE CARBIDE TIP
3	PM-HX-3	AUGER PILOT - MULTI-FACET TUNGSTEN
4	FA-000050	BOLT - HEX
5	FA-000093	NYLOC NUT
6	FA-000030	HEX BOLT - 50.8mm
7	FA-000090	NYLOC NUT - 50.8mm
8	PI-000032	LYNCH PIN
9	PI-000012	PIN - 65mm
10	PI-000025	PIN - 57mm
11	PI-000029	PIN - 75mm