

**EARTHMOVING
WAREHOUSE**



STICK RAKE OPERATOR'S MANUAL

PM-000140

1 TO THE PURCHASER

Congratulations on the purchase of your new DIGGA Stick Rake! This product was carefully designed and manufactured to give you years of dependable service. To keep it running efficiently please read the instructions in the manual to keep it in top working condition.



Be sure to observe all safety precautions and maintenance procedures as described in this manual.

No responsibility will be taken by Digga for any omissions or errors in this manual as all data is correct at time of print, however Digga reserve the right to revise this manual without further notice.

Please contact your DIGGA dealer for any further information pertaining to this product or for further information on other Digga products.

ABOUT THIS MANUAL

This manual has been designed to help you do a better, safer job. **Read this manual carefully and become familiar with its contents.** Remember; never let anyone operate this unit without reading the "Safety Precautions" and "Operating Instructions" sections of this manual. Unless noted otherwise, right and left sides are determined from the position of the operator when behind the product facing forward.

	
www.digga.com	
Model	<input type="text"/>
Serial No.	<input type="text"/>
Flow (max)	<input type="text"/>
Pressure (max)	<input type="text"/>
Power	<input type="text"/>
Weight	<input type="text"/>
<input type="checkbox"/> Approximate Oil Capacity:	<input type="text"/>
DE-000168	MADE IN AUSTRALIA

YOUR DIGGA STICK RAKE IS A USER SERVICEABLE PART.

IMPORTANT: WHEN SERVICING OR ASSEMBLING YOUR PRODUCT, REMEMBER TO USE ONLY GENUINE DIGGA REPLACEMENT PARTS. SUBSTITUTE PARTS MAY NOT MEET THE STANDARDS REQUIRED FOR SAFE, DEPENDABLE OPERATION. USE OF NON GENUINE DIGGA PARTS WILL VOID WARRANTY AND DIGGA WILL ACCEPT NO LIABILITY WHAT SO EVER FOR CONSEQUENTIAL OR SPECIAL DAMAGES.

MODEL _____

SERIAL NUMBER _____

DATE PURCHASED _____

The parts department needs this information to insure accurate parts can be sent to the authorised service agent.

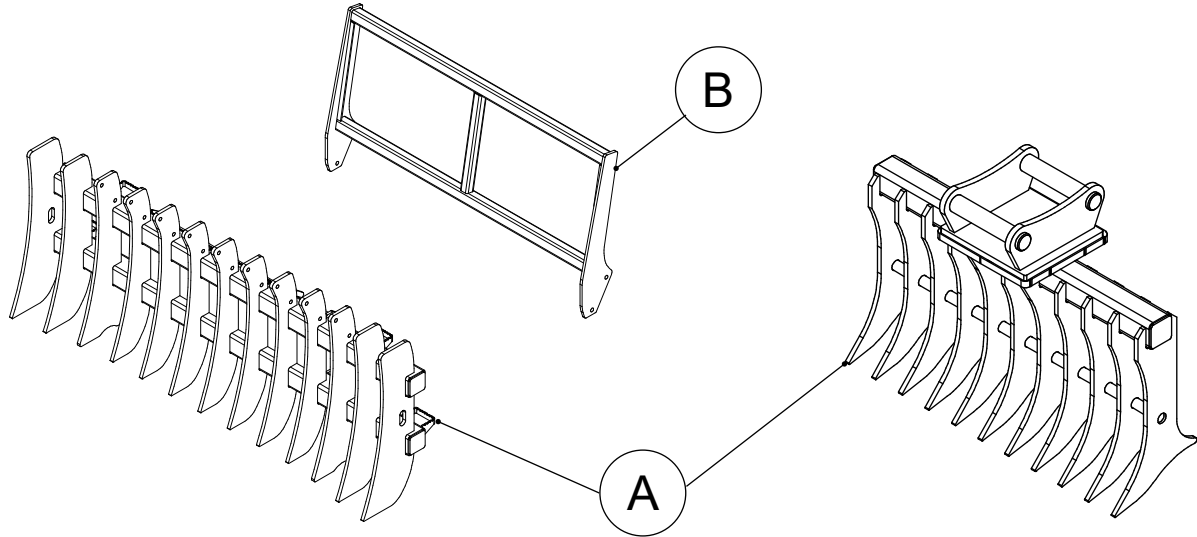
1	TO THE PURCHASER.....	2
2	TABLE OF CONTENTS.....	3
3	PREPARATIONFOR USE.....	4
4	SAFETY PRECAUTIONS - GENERAL INFORMATION.....	5
5	SAFETY - WORKING WITH THE ATTACHMENT.....	10
6	INSTALLATION AND OPERATINGINSTRUCTIONS.....	11
7	MAINTENANCE.....	12
8	SAFETY - STICKER LOCATION.....	13
9	SPARE PARTS.....	14
10	TROUBLESHOOTING.....	14
11	WARRANTY.....	15

MODELS COVERED IN THIS MANUAL

SR-00035	SR-00044	SR-00027	SR-00032
-----------------	-----------------	-----------------	-----------------

3 PREPARATION FOR USE

To avoid any inconvenience before operation, please check that you have received the following item/s which you have ordered. Items may differ depending on type of machine the Stick Rake is to be fitted to.



REF	DESCRIPTION	QTY
A	Stick Rake- To suit Skid Steer Loaders (OR) Stick-To suit Excavators	1
B	Safety Guard (OPTIONAL)	1

4 SAFETY PRECAUTIONS - GENERAL INFORMATION

TAKE NOTE! THIS SAFETY ALERT SYMBOL FOUND THROUGHOUT THIS MANUAL IS USED TO CALL YOUR ATTENTION TO INSTRUCTIONS INVOLVING YOUR PERSONAL SAFETY OR OTHERS. FAILURE TO FOLLOW THESE INSTRUCTIONS CAN RESULT IN INJURY OR DEATH.

THIS SYMBOL MEANS:



**ATTENTION!
BECOME ALERT!
YOUR SAFETY IS INVOLVED!**


SIGNAL WORDS: Note the use of signal words DANGER, WARNING, and CAUTION with the safety messages. The appropriate signal word for each has been selected using the following guidelines:

DANGER: Indicates an imminently hazardous situation, which if not avoided, will result in death or serious injury. This signal word is to be limited to the most extreme situations, typically for machine components which, for functional purposes, cannot be guarded.

WARNING: Indicates a potentially hazardous situation, which if not avoided, could result in death or serious injury, and includes hazards that are exposed when guards are removed. It may also be used to alert against unsafe practices and indicate potential failure or damage to equipment.

CAUTION: Indicates a potentially hazardous situation, which if not avoided, may result in minor or moderate injury. It may also be used to alert against unsafe practices.

This section is composed of various warnings and safety tips. **Read and learn all the information in this section before you attempt to use your attachment.** Also read your machines owner's manual before using your equipment. This knowledge will help you operate your unit safely. **Do not take this information lightly, it is presented for your benefit and for the benefit of others working around you.**

The "Safety Alert Symbol"  will be used throughout this manual. It will appear with the word **DANGER, WARNING, or CAUTION**, and a safety message pertaining to the specific topic being covered. Take the time to read these messages as you come across them.

4 SAFETY PRECAUTIONS - GENERAL INFORMATION

WARNING KNOW WHERE UTILITIES ARE



Observe overhead electrical and other utility lines. Be sure equipment will clear them. When digging, call DIAL BEFORE YOU DIG ON 1100 (in Australia), or your local UTILITIES location service provider for location of buried utility lines, gas, water, and sewer, as well as any other hazard you may encounter.

EXPOSURE TO RESPIRABLE CRYSTALLINE SILICA DUST ALONG WITH OTHER HAZARDOUS DUSTS MAY CAUSE SERIOUS OR FATAL RESPIRATORY DISEASE.

It is recommended to use dust suppression, dust collection and if necessary personal protective equipment during the operation of any attachment that may cause high levels of dust.

WARNING



REMOVE PAINT BEFORE WELDING OR HEATING

Hazardous fumes/dust can be generated when paint is heated by welding, soldering or using a torch. Do all work outside or in a well ventilated area and dispose of paint and solvent properly. Remove paint before welding or heating. When sanding or grinding paint, avoid breathing the dust. Wear an approved respirator. If you use solvent or paint stripper, remove stripper with soap and water before welding. Remove solvent or paint stripper containers and other flammable material from area. Allow fumes to disperse at least 15 minutes before welding or heating.

WARNING



END OF LIFE DISPOSAL

At the completion of the useful life of the unit, drain all fluids and dismantle by separating the different materials (rubber, steel, plastic, etc.). Follow all federal, state and local regulations for recycling and disposal of the fluid and components.

OPERATING THE STICK RAKE

WARNING



- An operator must not use drugs or alcohol, which can change his or her alertness or coordination. An operator taking prescription or over-the-counter drugs should seek medical advice on whether or not he or she can safely operate equipment.
- All bystanders should be kept a minimum of 20 feet (6 meters) away from the working area of the Stick Rake.
- Do not allow Site workers to climb or ride on Stick Rake at any time, including while stationary, in operation or being moved.
- Operate only from the operator's station.
- Avoid steep hillside operation which could cause the machine to overturn. Consult your machines operator's and safety manuals for maximum incline allowable.

4 SAFETY PRECAUTIONS - GENERAL INFORMATION

WARNING



OPERATING THE STICK RAKE (CONTINUED)

- Reduce speed when driving over rough terrain, on a slope, or turning, to avoid overturning the vehicle.
- Travel only with the Stick Rake in a safe transport position to prevent uncontrolled movement. Drive slowly over rough ground and on slopes.
- Do not drive close to ditches, excavations, etc., cave in could result.
- Before exiting the machine, lower the attachment to the ground, apply the parking brakes, turn off the prime mover's engine, and remove the key.
- Do not smoke when refueling the prime mover. Allow room in the fuel tank for expansion. Wipe up any spilled fuel. Secure cap tightly when done.
- Remove the Stick Rake from the prime mover before transporting to and from the job site.

WARNING



- The Stick Rake must be stopped before making adjustments to the attachment.
- All Excavation operations must be stopped in the event of local thunderstorm, or lightning activity. During operation, weather conditions shall be monitored: operations shall cease during electrical storms or when electrical storms are imminent.

STORAGE OF THE STICK RAKE

WARNING



- Clean the unit thoroughly, removing all mud, dirt, and grease.
- Inspect for visible signs of wear, breakage, or damage. Order any parts required and make the necessary repairs to avoid delays upon removal from storage.
- Tighten loose nuts and cap screws.
- Replace decals that are damaged or in unreadable condition.
- Store unit in a dry and protected place. Leaving the unit outside will materially shorten its life.

4 SAFETY PRECAUTIONS - GENERAL INFORMATION

WARNING GROUND PERSONNEL AND BYSTANDERS



- Be alert to others in the work area. Be sure others know when and where you will be working. Make sure no one is behind equipment or within 6 metres of it operating.
- Loose fitting clothing, long hair, jewellery and equipment which might become entangled in moving equipment are prohibited while working near the Stick Rake.
- Operators, helpers, and other personnel working near Stick Rake must wear steel-toe safety shoes, safety glasses, and hard hats as a minimum. Hearing protection, respirators, and personnel protective clothing will be specified in the site-specific Health and Safety Plan.

WARNING



MAINTAINING THE STICK RAKE

- Before performing maintenance, lower the attachment to the ground, apply the parking brakes, turn off the engine, and remove the key.
- Never adjust a relief valve for pressure higher than recommended by the machine's manufacturer.

TRANSPORTING

Follow all local government regulations that may apply along with recommended tie down points and any equipment safety precautions at the front of this handbook when transporting your attachment.

TIE DOWN POINTS

WARNING



- Tie down points are identified by tie down decals where required. Securing to trailer at other points is unsafe and can damage attachment.
- Do not attach tie down accessories around cylinders or in any way that may damage hoses or hydraulic components.
- Attach tie down accessories to unit as recommended.
- Check unit stability before transporting.

Verify that all tie down accessories (chains, slings, ropes, shackles and etc.) are capable of maintaining attachment stability during transporting and are attached in such a way to prevent unintended disengagement or shifting of the unit. Failure to do so could result in serious personal injury or death.

4 SAFETY PRECAUTIONS - GENERAL INFORMATION

TO THE OPERATOR

The primary responsibility for safety with this equipment falls to the operator. Make sure that the equipment is operated only by trained individuals that have read and understand this manual. Don't hurry the learning process or take the unit for granted.

It is the skill, care, common sense, and good judgement of the operator that will determine how efficiently and safely the job is performed. Know your equipment before you start. Know its capabilities and how to operate all the controls.

Visually inspect your equipment before you start, ensure correct assembly and installation of the attachment and never operate equipment that is not in proper working order.

Practice the operation of your new attachment and become familiar with the controls and the way it handles on your machine. If there is any portion of this manual or function you do not understand, contact your local authorized dealer or the manufacturer.

1. Never operate the Attachment without first reading and understanding the entire operator's manual.
2. Do not paint over, remove or deface any safety signs or warning decals on your equipment.
3. Follow all safety decals. Keep them clean and replace them if they become worn, damaged or illegible.
4. Know your equipment inside and out. Know how to operate all controls and know emergency shut down procedures.
5. Keep all stepping surfaces, pedals, and controls free from dirt, grease and oil. Keep equipment clean to help avoid injury from slipping or a fall when getting on or off equipment.
6. Operate the attachment only in daylight or with sufficient artificial light.
7. Always carry loads close to the ground. Do not step off machine platform with load raised.
8. Turn off engine before performing maintenance. All maintenance can be performed with the machine arms lowered. If lift arms must be left raised for any reason, use a positive lift arm lock to secure the arms in place. Serious damage or personal injury could result from lift arms accidentally lowering.
9. Do not exceed rated operating capacity of the host machine, as machine may become unstable resulting in loss of control.
10. Always lower the loader arms or machine boom to the ground, shut off the engine and remove the key before getting off the unit.
11. Never use the Stick Rake on a machine that is not equipped with a cab or ROPS, and operator restraints (seat belts or equivalent devices).

5 SAFETY - WORKING WITH THE ATTACHMENT

WHEN MOUNTING THIS PRODUCT TO YOUR MACHINE

- Refer to the operator's manuals of your machine, and your quick-attach for special or detailed mounting instructions.
- This product should fit onto the tool bar/quick-attach mechanism of your machine.
- If this product does not fit properly, contact your Digga Dealer before operating.
- Where 'Dead Man' connections are connected or installed it is illegal to disengage, tamper with or remove them.

WHEN ADJUSTING, SERVICING OR REPAIRING THIS PRODUCT

- Make no modifications to your Stick Rake.
- When making repairs use only authorised Digga service agents, and genuine Digga parts.
- Replacement parts must also have safety signs attached.

For additional safety information please see Risk Management booklet. To obtain a copy contact Digga Head Office on +61 7 3807 3330

6 INSTALLATION AND OPERATING INSTRUCTIONS

The DIGGA Stick Rake attaches to the tool bar/quick-attach mechanism of your Machine. Due to this arrangement, thorough knowledge of the machinery controls is necessary for machine operation. Read and understand your machine operator's manual for information regarding machine operation before attempting to use the Stick Rake. When a Stick Rake is purchased from Digga or a DIGGA Dealer/Distributor the frame/attachment is matched for suitability of the original machine it was purchased for. Warranty will be void if the Stick Rake is fitted to an alternative machine without first receiving written confirmation from your DIGGA dealer. Check the work site and identify the extent of the work to be carried out and note any possible hazards or constraints. Underground cables, services etc. Check with relevant government departments on the location of these before commencement of any work. Review the job at hand and determine the Stick Rake is appropriate for the intended conditions.

INSTALLATION INSTRUCTIONS

1. Remove the shipping banding from around the Stick Rake and Frame.
2. Remove any attachments from the front of the Machine.
3. Following all standard safety practices and the instructions for installing an attachment in your machine operator's manual, install the Stick Rake onto your Machine.



NOTE: IT IS IMPORTANT TO MAKE SURE THE LOCKING MECHANISM ON YOUR QUICK ATTACH IS ENGAGED, THEREFORE LOCKING THE ATTACHMENT ONTO THE MACHINE.

STANDARD RAKE OPERATIONS

1. Align the Stick Rake with brush or other debris to be moved and scrape to desired direction.

REMOVAL AND STORAGE

1. Set the attachment on the ground and follow the standard shut down procedure in your loader operators manual.
2. With the loader OFF, disengage the attachment lock pins.
3. Start the machines engine and make sure that the lift arm is lowered and in contact with the loader frame.
4. Roll the attachment mechanism forward and slowly back up until the attachment is free from the machine.
5. Remove and store the attachment in a dry and protected place. Leaving the Stick Rake outside will materially shorten its life.

6 INSTALLATION AND OPERATING INSTRUCTIONS

WHEN ATTACHMENTS NOT ON PARENT MACHINE:

It is a requirement of the Australian Workplace Health and Safety act 1995 that safe systems of work are employed when handling any attachments. Complete compliance with Workplace Health and Safety issues is compulsory and all due care and attention must be observed at all times in any method of moving, transporting or storing any such device when not attached to a parent machine. We recommend attachments are well secured when being moved or in transit and furthermore prior to moving, storing, loading/unloading or parking it is suggested that the attachment is strapped/secured to a pallet or enclosed in a suitable container to minimise any movement or loss of the load during such activity. NO responsibility for loss or damage to persons or property in any regard can be attributed to Digga.

TRANSPORTING THE ATTACHMENT

1. Follow all federal, state and local regulations when transporting the unit on public roads.
2. Use extra care when loading or unloading the machine onto a trailer or truck.

7 MAINTENANCE

The key feature of your Digga Stick Rake is low maintenance. It contains no user serviceable parts, unauthorised disassembly will void warranty.



SAFETY FIRST!! READ AND UNDERSTAND THE SAFETY INSTRUCTIONS BEFORE BEGINNING ANY MAINTENANCE.

BEFORE FIRST USE

- Inspect the attachment for shipping damage. If damage does exist, do not operate until the damaged parts have been replaced or repaired.

BEFORE EACH USE

- Make sure that all nuts and bolts are in place and properly tightened.
- Make sure that all other fasteners are in place and are performing their specified function.
- Make sure that all safety signs are in place, are clean, and are legible. (SEE THE SAFETY SIGN SECTION)
- Wear and tear on Pins, linkages, cutting edges.
- Replace any damaged parts and excessively worn parts.
- Use only manufacturer recommended replacement parts. Other parts may be substandard in fit and quality.
- Always wear safety goggles or glasses when inspecting equipment.

8 SAFETY - STICKER LOCATION

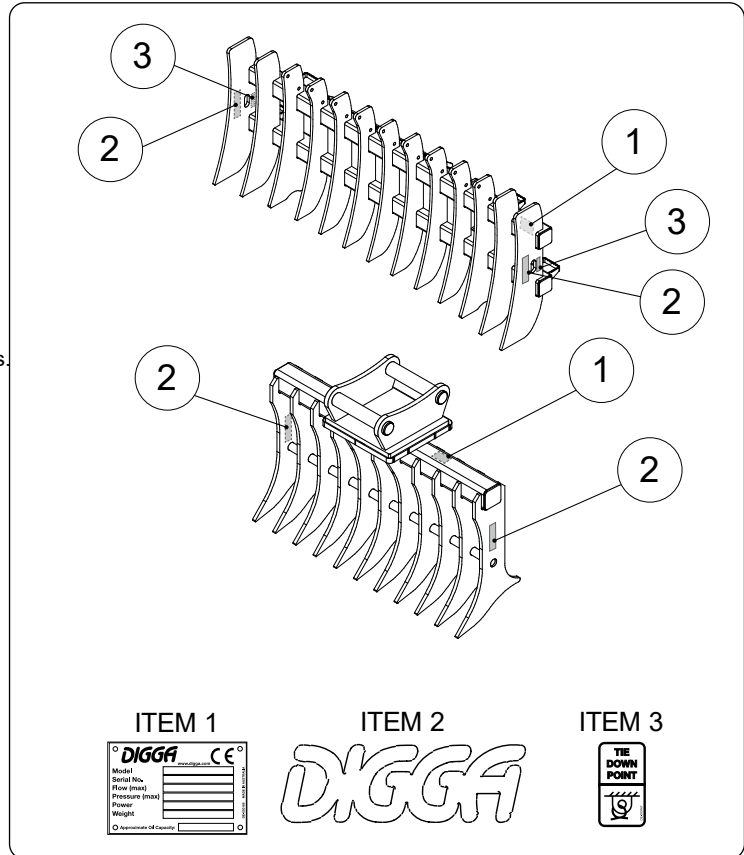
PLACEMENT OR REPLACEMENT OF SAFETY SIGNS

1. Clean the area of application with on-flammable solvent, then wash the same area with soap & water.
2. Allow the surface to fully dry.
3. Remove the backing from the safety sign, exposing the backing surface.
4. Apply the safety sign to the position shown in the diagram above and smooth out any bubbles.

INSTRUCTIONS

- Keep all safety signs clean and legible.
- Replace all missing, illegible, or damaged safety signs.
- Replacement parts for parts with safety signs attached must also have safety signs attached.
- Safety signs are available from your dealer or from Digga Australia.

ORDER CODE	ITEM No.	DESCRIPTION	QTY
DE-000168	1	SERIAL TAG (ITEM 1)	1
DE-000781	2	DIGGA LOGO - PLATED	2
DE-000467	3	TIE DOWN POINT	2



9 SPARE PARTS

For further information on spare parts please contact one of the Digga sales office below your closest authorised Digga Dealer.

DIGGA INTERNATIONAL SALES OFFICES

ASIA PACIFIC

DIGGA HEAD OFFICE - BRISBANE

4 Octal St, Yatala QLD 4207

PH: (07) 3807 3330

EMAIL: info@digga.com

DIGGA NEW SOUTH WALES

19 Mckay Close,
Wetherill Park, NSW 2164

PH: 1300 2 DIGGA

EMAIL: nsw@digga.com

DIGGA VICTORIA

17-21 Babbage Dr,
Dandenong, VIC 3175

PH: 1300 2 DIGGA

EMAIL: vic@digga.com

WEB: www.digga.com

NORTH AMERICA

DIGGA NORTH AMERICA

2325 Industrial Parkway SW
Dyersville IA 52040

PH: + 1 563 875 7915

WEB: www.diggausa.com

EMAIL: info@diggausa.com

EUROPE

DIGGA EUROPE

Unit 6, Smitham Bridge Road
Hungerford Trading Estate,
Hungerford, Berkshire RG17 0QU
England, United Kingdom

PH: +44 (0) 1488 688 550

WEB: www.diggaeurope.com

EMAIL: info@diggaeurope.com

10 TROUBLESHOOTING

Stick Rake

TROUBLE	POSSIBLE CAUSE	REMEDY
Damage to Rake	Abuse	Contact your local Digga dealer.
	Rake not fitting to parent machine correctly	Contact your local Digga dealer.

WARRANTY

All new Digga products are warranted to be free from defects in materials or workmanship, for a period of twelve (12) months from date of original purchase, which may cause failure under normal usage and service when used for the purpose intended.

In the event of failure (excluding cable, ground engaging parts such as sprockets, digging chain, bearings, teeth, tamping and demolition heads, blade cutting edges, pilot bits, auger teeth, auger heads), if after examination, Digga determines failure was due to defective material and/or workmanship, parts only will be repaired or replaced. Digga may request defective product or products be returned prepaid to them for inspection at their place of business or to a location specified by Digga. The warranty will be considered void if the product or any part of the product is modified or repaired in any way not expressly authorized by Digga, or if closed components are disassembled prior to return. Closed components include, but are not limited to: gearboxes, hydraulic pumps, motors, cylinders and actuators. Any goods returned to Digga by the customer under warranty or repair must have all freight charges prepaid for on the customer's account.

Any claims under this warranty must be made within fifteen (15) days after the Buyer learns of the facts upon which such claim is based. All claims not made in writing and received by Digga outside the time period specified above shall be deemed waived.

DAMAGE OR FAILURE THROUGH OPERATOR ABUSE OR NEGLIGENCE VOIDS WARRANTY

THIS WARRANTY IS IN LIEU OF ALL OTHER WARRANTIES EXPRESSED OR IMPLIED AND THERE ARE NO WARRANTIES OF MERCHANTABILITY OR OF FITNESS FOR A PARTICULAR PURPOSE. IN NO EVENT SHALL DIGGA BE LIABLE FOR CONSEQUENTIAL OR SPECIAL DAMAGE. DIGGA'S LIABILITY FOR ANY AND ALL LOSSES AND DAMAGES TO BUYER, RESULTING FROM ANY CAUSE WHATSOEVER, INCLUDING DIGGA'S NEGLIGENCE, IRRESPECTIVE OF WHETHER SUCH DEFECTS ARE DISCOVERABLE OR LATENT, SHALL IN NO EVENT EXCEED THE PURCHASE PRICE OF THE PARTICULAR PRODUCTS WITH RESPECT TO WHICH LOSSES OR DAMAGES ARE CLAIMED, OR, AT THE ELECTION OF DIGGA, THE REPAIR OR REPLACEMENT OF DEFECTIVE OR DAMAGED PRODUCTS.



Australian Designed and Manufactured

Available through

**EARTHMOVING
WAREHOUSE**

earthmovingwarehouse.com.au

0459927346 (0459 WAREHOUSE)
Shed C1/C2 194 Zillmere Road,
Boondall Brisbane 4034
QLD