



CLEANA by
DIGGA

CLEANA ANGLE BROOM
OPERATORS & PARTS MANUAL

PM-000072-B

THANK YOU

Congratulations on the purchase of your new DIGGA product! This product was carefully designed and manufactured to give you years of dependable service. To keep it operating in top working condition please read the instructions in this manual, observe all safety precautions and maintenance procedures as described in the following pages.

Contact your DIGGA dealer for any further information pertaining to this product or for further information on other products available in the DIGGA range.

ABOUT THIS MANUAL

This manual has been designed to help you do a better, safer job.

Read this manual carefully and become familiar with its contents.

Remember; never let anyone operate this unit without reading the “Safety Precautions” and “Operating Instructions” sections of this manual.

Unless noted otherwise, right and left sides are determined from the position of the operator when behind the product facing forward.

DIGGA		CE
<small>www.digga.com</small>		<small>DE-000168 MADE IN AUSTRALIA</small>
Model	<input type="text"/>	
Serial No.	<input type="text"/>	
Flow (max)	<input type="text"/>	
Pressure (max)	<input type="text"/>	
Power	<input type="text"/>	
Weight	<input type="text"/>	
<input type="checkbox"/> Approximate Oil Capacity:	<input type="text"/>	

Your Digga Cleana Angle Broom is a user serviceable part.

IMPORTANT: WHEN SERVICING OR ASSEMBLING YOUR PRODUCT, REMEMBER TO USE ONLY GENUINE DIGGA REPLACEMENT PARTS. SUBSTITUTE PARTS MAY NOT MEET THE STANDARDS REQUIRED FOR SAFE, DEPENDABLE OPERATION. USE OF NON GENUINE DIGGA PARTS WILL VOID WARRANTY AND DIGGA WILL ACCEPT NO LIABILITY WHAT SO EVER FOR CONSEQUENTIAL OR SPECIAL DAMAGES.

MODEL _____

SERIAL NUMBER _____

DATE PURCHASED _____

The parts department needs this information to insure accurate parts can be sent to the authorised service agent.

2 TABLE OF CONTENTS

1	TO THE PURCHASER.....	1
2	TABLE OF CONTENTS.....	2
3	PREPARATION FOR USE.....	3
4	SAFETY PRECAUTIONS.....	5
5	INSTALLATION AND OPERATING INSTRUCTIONS.....	9
6	MAINTENANCE.....	13
7	SAFETY STICKER LOCATION.....	16
8	TROUBLESHOOTING.....	17
9	SPARE PARTS / CONTACT INFORMATION.....	18
10	WARRANTY.....	19

MODELS COVERED IN THIS MANUAL

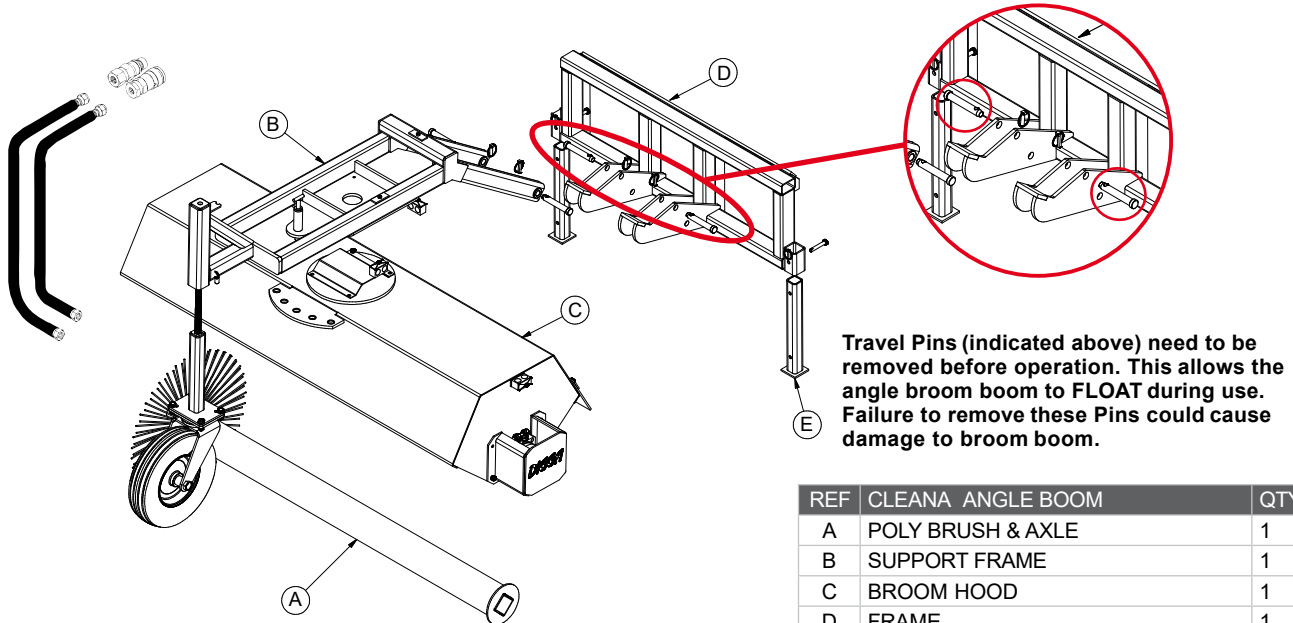
CLEANA ANGLE BROOM

3PT LINKAGE CLEANA ANGLE BROOM

CLEANA ANGLE BROOM

3 PREPARATION FOR USE

To avoid any inconvenience before operation, please check that you have received the following items which you may have ordered. Items may differ depending on type of machine the Cleana Angle Broom is to be fitted to.



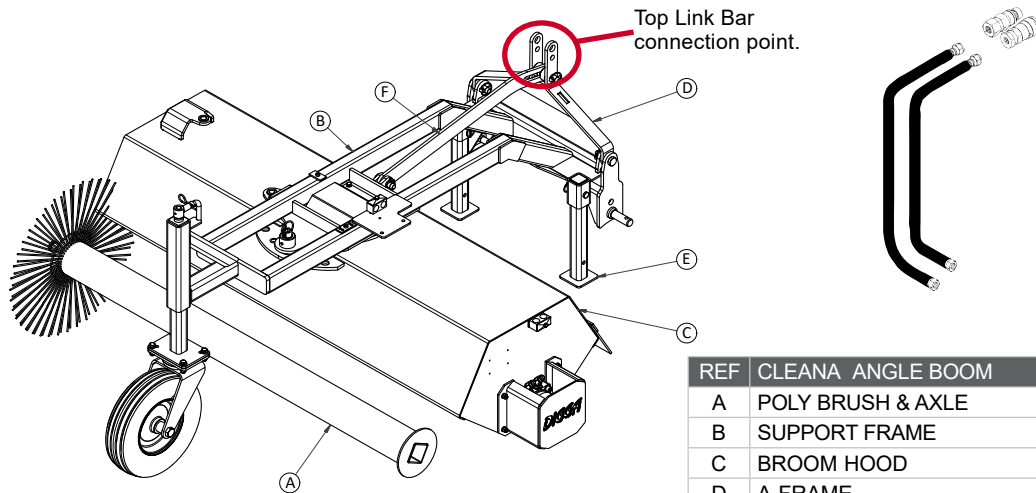
Travel Pins (indicated above) need to be removed before operation. This allows the angle broom boom to FLOAT during use. Failure to remove these Pins could cause damage to broom boom.

REF	CLEANA ANGLE BOOM	QTY
A	POLY BRUSH & AXLE	1
B	SUPPORT FRAME	1
C	BROOM HOOD	1
D	FRAME	1
E	FRAME STAND	1
	HYDRAULIC HOSE KIT	set
	QUICK RELEASE COUPLERS	set

3 PREPARATION FOR USE

3 PT LINKAGE CLEANA ANGLE BROOM

To avoid any inconvenience before operation, please check that you have received the following items which you may have ordered. Items may differ depending on type of machine the Cleana Angle Broom is to be fitted to.



REF	CLEANA ANGLE BOOM	QTY
A	POLY BRUSH & AXLE	1
B	SUPPORT FRAME	1
C	BROOM HOOD	1
D	A-FRAME	1
E	STAND	1
F	TOP TENSION BAR	1
	HYDRAULIC HOSE KIT	set
	QUICK RELEASE COUPLERS	set

4 SAFETY PRECAUTIONS - GENERAL INFORMATION

This section is composed of various warnings and safety tips. **Read and learn all the information in this section before you attempt to use your attachment.** Also read your machine's owner's manual before using your equipment. This knowledge will help you operate your unit safely. **Do not take this information lightly, it is presented for your benefit and for the benefit of others working around you.**

The DIGGA Cleana Angle Broom receives its power from the parent machine through the auxiliary valve circuit with quick release couplers normally located on the machine arms near the front. Attaching points on the Cleana Angle Broom are the same as the bucket attaching points on your machine.

If you are in any doubt contact your nearest DIGGA Dealer for assistance.

TAKE NOTE! THIS SAFETY ALERT SYMBOL FOUND THROUGHOUT THIS MANUAL IS USED TO CALL YOUR ATTENTION TO INSTRUCTIONS INVOLVING YOUR PERSONAL SAFETY OR OTHERS. FAILURE TO FOLLOW THESE INSTRUCTIONS CAN RESULT IN INJURY OR DEATH.

THIS SYMBOL MEANS:



**ATTENTION!
BECOME ALERT!
YOUR SAFETY IS INVOLVED!**

SIGNAL WORDS: Note the use of signal words DANGER, WARNING, and CAUTION with the safety messages. The appropriate signal word for each has been selected using the following guidelines:

DANGER: Indicates an imminently hazardous situation, which if not avoided, will result in death or serious injury. This signal word is to be limited to the most extreme situations, typically for machine components which, for functional purposes, cannot be guarded.

WARNING: Indicates a potentially hazardous situation, which if not avoided, could result in death or serious injury, and includes hazards that are exposed when guards are removed. It may also be used to alert against unsafe practices.

CAUTION: Indicates a potentially hazardous situation, which if not avoided, may result in minor or moderate injury. It may also be used to alert against unsafe practices.

TO THE OPERATOR

The primary responsibility for safety with this equipment falls to the operator. Make sure that the equipment is operated only by trained individuals that have read and understand this manual. Don't hurry the learning process or take the unit for granted. It is the skill, care, common sense, and good judgement of the operator that will determine how efficiently and safely the job is performed. Know your equipment before you start. Know its capabilities and how to operate all the controls. Visually inspect your equipment before you start, ensure correct assembly and installation of the attachment and never operate equipment that is not in proper working order. Practice the operation of your new attachment and become familiar with the controls and the way it handles on your machine. If there is any portion of this manual or function you do not understand, contact your local authorized dealer or the manufacturer.

4 SAFETY PRECAUTIONS - GENERAL INFORMATION

1. Never operate the Attachment without first reading and understanding the entire operator's manual.
2. **Do not paint over**, remove or deface any safety signs or warning decals on your equipment.
3. **Follow all safety decals**. Keep them clean and replace them if they become worn, damaged or illegible.
4. Know your equipment inside and out. Know how to operate all controls and know emergency shut down procedures.
5. **Keep all stepping surfaces, pedals, and controls free from dirt, grease and oil** to help avoid injury from slipping or a fall when getting on or off equipment.
6. Operate the attachment only in daylight or sufficient artificial light.
7. Always carry loads close to the ground. Do not step off machine platform with load raised.
8. **Turn off engine before performing maintenance**. All maintenance can be performed with the machine arms lowered. If lift arms must be left raised for any reason, use a positive lift arm lock to secure the arms in place. Serious damage or personal injury could result from lift arms accidentally lowering.
9. **Reduce speed when driving over rough terrain**, on a slope, or turning to avoid overturning the machine.
10. **Check your work area and know where all utility lines are**. Avoid hitting underground or overhead electrical wires, cables, pipes, fence posts, gas lines, etc.
11. **Never operate equipment while under the influence of alcohol**, prescription drugs or any other form of illegal recreational drugs which could inhibit physical and/or mental capacity.
12. Do not exceed rated operating capacity, as machine may become unstable resulting in loss of control.
13. **Always lower the loader arms or machine boom to the ground**, shut off the engine and remove the key before getting off the unit.
14. Operators, helpers, and other personnel working near Cleana Angle Broom must wear steel-toe safety shoes, safety glasses, and hard hats as a minimum. Hearing protection, respirators, and personnel protective clothing will be specified in the site-specific Health and Safety Plan.
15. Do not smoke when refuelling machine. Allow room in the gas tank for expansion. Wipe up any spilt fuel. Secure cap tightly when done.
16. Be alert to others in the work area. Be sure others know when and where you will be working. Make sure no one is behind equipment or within 15 metres of it operating.
17. Loose fitting clothing, long hair, jewellery and equipment which might become entangled in moving equipment are prohibited while working near Cleana Angle Broom.
18. Cleana Angle Brooms must be shut down and properly locked-out and tagged before repairs or maintenance is performed. Only properly trained and qualified individuals are permitted to perform repairs and maintenance.
19. Site workers shall not be allowed on/in a Cleana Broom while it is in operation or the equipment is being moved.
20. Machinery must be shut down and the key removed before being left unattended.
21. Controls must be engaged slowly until hydraulic fluids and the unit are up to operating temperature. This is critical during cold weather. Impact or shock loading of the Cleana Angle Broom is prohibited.

4 SAFETY PRECAUTIONS - GENERAL INFORMATION

22. Cleana Angle Brooms shall be used only for their designed intent and shall not be loaded beyond their rated capacity. Overloading or exceeding the manufacturers specifications will void all warranty.
23. Sharp braking or hoisting is prohibited.
24. Only authorized, properly trained workers will be permitted to operate Cleana Angle Broom. All unnecessary personnel will stand clear of Cleana Angle Brooms or devices while they are in operation.
25. The operator shall verbally alert site workers and visually ensure all site workers are clear from dangerous parts of equipment before starting or engaging equipment.
26. Cleana Angle Broom must be stationary before adding or removing Side Sweep Broom attachment, or making adjustments to the equipment.
27. Cleana Angle Brooms shall be cleaned only when the mechanism is in neutral and stopped; long-handled shovels shall be used to move debris from the Cleana Angle Broom. Materials heavier than 10kgs must be moved mechanically or by using at least two people.
28. Operations must be stopped in the event of local thunderstorm, or lightning activity. During operation, weather conditions shall be monitored: operations shall cease during electrical storms or when electrical storms are imminent.



WARNING! ONLY OPERATE THIS PRODUCT IN ACCORDANCE WITH DESIGN INTENTIONS

- Never use Cleana Angle Broom on a Loader that is not equipped with a cab or ROPES, and operator restraints (seat belts or equivalent devices).
- Know your machines safe operating weight limit, and the weight of loaded attachment.
- Use caution when working close to fences and ditches, or on uneven ground.



USE CAUTION WHEN ADJUSTING, SERVICING OR REPAIRING THIS PRODUCT

- Make no modifications to your Cleana Angle Broom.
- When making repairs, use only genuine Digga parts for fasteners, hydraulic hoses, or hydraulic fittings, use only properly rated parts.
- Replacement parts, for parts with safety signs attached, must also have safety signs attached.

4 SAFETY PRECAUTIONS - GENERAL INFORMATION



USE CAUTION WHEN MOUNTING THIS PRODUCT TO YOUR MACHINE

- Refer to the operator's manuals of your machine, and your quick-attach for special or detailed mounting instructions.
- This product should fit onto the quick-attach Frame or Hitch.
- If this product does not fit properly, contact your Digga Dealer before operating.
- Never place any part of your body into the mounting plate, frame, hitch or loader holes. A slight movement of the power unit or this product could cause serious injury.
- Where 'Dead Man' connections are connected or installed it is illegal to disengage, tamper with or remove them.



WARNING! USE CAUTION WHEN DEALING WITH HYDRAULICS DURING ANY TYPE OF ASSEMBLY, OPERATION, MAINTENANCE, OR OTHER WORK ON OR NEAR THIS PRODUCT

- Hydraulic fluid under pressure can penetrate the skin and cause serious injury or death. Hydraulic leaks under pressure may not be visible!
- If any fluid penetrates the skin, GET IMMEDIATE MEDICAL ATTENTION!!
- Wear safety glasses, protective clothing, and use a sound piece of cardboard or wood when searching for hydraulic leaks. DO NOT USE YOUR HANDS!
- Before connecting or disconnecting hydraulic hoses, read your machine or power unit's operator's manual for detailed instructions on connecting and disconnecting hydraulic attachments.
- Make certain that all parts meet the specifications for this product when installing or replacing hydraulic hoses or fittings.
- After connecting hydraulic lines:
 - Slowly and carefully raise the loader and cycle the rollback/dump cylinders to check hose clearances and to check for any interference.
 - Operate the hydraulics on this product to check hose clearances and to check for any interference.
 - Make certain that the hoses cannot interfere with or actuate the quick-attach mechanism.
 - Make certain that hoses will not be pinched, or get tangled, in any equipment.
- Do not lock the auxiliary hydraulics of your power unit in the "ON" position.
- Refer to your power unit's operator's manual and this manual for procedures and intervals, then inspect and maintain the entire hydraulic system to insure that the fluid remains clean, that all devices function properly, and that there are no fluid leaks.

For additional safety information please see Risk Management booklet. To obtain a copy contact Digga Head Office on +61 7 3807 3330

5 INSTALLATION AND OPERATING INSTRUCTIONS

The DIGGA Cleana Angle Broom attaches to the tool bar/quick-attach mechanism of your machine. Due to this arrangement, thorough knowledge of the machinery controls is necessary for machine operation. Read and understand your machine operator's manual for information regarding machine operation before attempting to use the Cleana Angle Broom. When a Cleana Angle Broom is purchased from DIGGA or a DIGGA Dealer/Distributor the frame/attachment is matched for suitability and compatibility to the flow, pressures & load ratings of the original machine it was purchased for. For fitment of the Cleana Angle Broom to other machines you must first contact your DIGGA dealer and receive written confirmation to ensure you do not incorrectly fit the Cleana Angle Broom to a machine with higher, pressure or rated load capacities than what the Cleana Angle Broom was designed for. Warranty will be void if the Cleana Angle Broom is fitted to an alternative machine without first receiving written confirmation from your DIGGA dealer. Exceeding the recommended max flow, pressure, or rated load capacity of the Cleana Angle Broom as stated on the serial tag will void all warranty. Check the work site and identify the extent of the work to be carried out and note any possible hazards or constraints. Review the job at hand and determine the Cleana Angle Broom is appropriate for the intended conditions. **For example:** Do not use to collect rocks.

INSTALLATION INSTRUCTIONS

CLEANA ANGLE BROOM (DIAGRAM PAGE 3)

1. Remove the shipping banding from around the Cleana Angle Broom and Frame.
2. Remove any attachments from the front of the Machine.
3. Ensure you have read the serial tag on the Cleana Angle Broom to obtain the max flow and pressure ratings. Ensure your machine flow and pressure settings are aligned with the requirements of the Cleana Angle Broom.



CAUTION: NEVER EXCEED THE MAX FLOW AND PRESSURE RATINGS AS WARRANTY WILL BE VOID.

4. Following all standard safety practices and the instructions for installing an attachment in your machine operator's manual, install the Cleana Angle Broom onto your Machine.
5. Lower the unit to the ground and remove the key from the parent machine.
6. Relieve any pressure from the auxiliary hydraulic system and after making sure that there is not any foreign matter on the hydraulic couplers, connect the power and return couplers to the auxiliary hydraulic system of your machine.
7. Route the hoses in such a fashion as to avoid pinching or chafing.



NOTE: IT IS IMPORTANT TO MAKE SURE THE LOCKING MECHANISM ON YOUR QUICK ATTACH IS ENGAGED, THEREFORE LOCKING THE ATTACHMENT ONTO THE MACHINE.

5 INSTALLATION AND OPERATING INSTRUCTIONS

3PT LINKAGE CLEANA ANGLE BROOM (DIAGRAM PAGE 4)

1. Remove the shipping banding from around the Cleana Angle Broom and Frame.
2. Remove any attachments from the front of the Machine.
3. Ensure you have read the serial tag on the Cleana Angle Broom to obtain the max flow and pressure ratings. Ensure your machine flow and pressure settings are aligned with the requirements of the Cleana Angle Broom.



CAUTION: NEVER EXCEED THE MAX FLOW AND PRESSURE RATINGS AS WARRANTY WILL BE VOID.

4. Fit A-frame to draught arms on 3PTL and secure with spring pin. Adjust the 3PTL arm for tension.
5. Using an adjustable top link bar (not supplied) connect to relevant top link hole in A-frame.

PLEASE NOTE: Top hole suits CAT 3 and Lower hole suits CAT 1 & CAT 2.

6. Adjust top link bar until A-Frame is vertical.
7. On level ground ensure free movement of the Cleana Angle Broom top tension bar in both forward and reverse directions, if required adjust A-frame with top link bar to appropriate position.
8. Relieve any pressure from the auxiliary hydraulic system and after making sure that there is not any foreign matter on the hydraulic couplers, connect the power and return couplers to the auxiliary hydraulic system of your machine.
9. Route the hoses in such a fashion as to avoid pinching or chafing. Your attachment is now ready for use.

CLEANA ANGLE BROOM OPERATION

1. Manoeuvre machine to required location for sweeping. Using the jockey wheel and machine lower the brush until is evenly just touching the ground.



PLEASE NOTE: BROOM MUST REMAIN LEVEL WITH THE WORK SURFACE DURING OPERATION, IF NOT EVEN THE BRUSH WILL WEARING UNEVENLY.

2. Engage the auxiliary controls, increase machine RPM until brush is operating at medium RPM. Ensure brush is sweeping away from the machine.
3. Once brush is rotating drive in a forward motion keeping the debris in front of the brush.
4. If excessive dust is being raised, reduce brush speed and travel slower.
5. When reversing use loader arms to lift brush from work surface.



WARNING: TRAVEL PINS NEED TO BE REMOVED BEFORE OPERATION. THIS ALLOWS THE ANGLE BROOM BOOM TO FLOAT DURING USE. FAILURE TO REMOVE THESE PINS COULD CAUSE DAMAGE TO BROOM BOOM (REFER TO PAGE 3 TO IDENTIFY THE TRAVEL PINS).

5 INSTALLATION AND OPERATING INSTRUCTIONS

3PT LINKAGE CLEANA ANGLE BROOM OPERATION

1. Manoeuvre machine to required location for sweeping. Using the jockey wheel and machine lower the brush until is evenly just touching the ground.



PLEASE NOTE: BROOM MUST REMAIN LEVEL WITH THE WORK SURFACE DURING OPERATION, IF NOT EVEN THE BRUSH WILL WEARING UNEVENLY.

2. Engage the auxiliary controls, increase machine RPM until brush is operating at medium RPM. Ensure brush is sweeping away from the machine.
3. Once brush is rotating drive in a forward motion keeping the debris in front of the brush.
4. If excessive dust is being raised, reduce brush speed and travel slower.
5. When reversing use 3PTL draught arms to lift brush from work surface.

TO ADJUST THE BROOM DIRECTION ALLOWING FOR WINDROWING

1. Using the Angle Locking Pin you can adjust the angle from 0° to 15° or 30° left and right.
2. Lift the Broom off the ground and release the pin.
3. Gently push the broom to the desired angle and secure with the Angle locking pin.



WARNING: USE A POSITIVE LIFT ARM LOCK TO SECURE THE ARMS IN PLACE. SERIOUS DAMAGE OR PERSONAL INJURY COULD RESULT FROM LIFT ARMS ACCIDENTALLY LOWERING.

TO ADJUST HEIGHT AT THE FRONT OF THE ATTACHMENT USING JOCKEY WHEEL

1. At the front the attachment remove the R-clip to release the handle.
2. Turn handle 180° and secure with R-clip.
3. Wind handle to desired height ensuring that handle is lined up with the locking tab before stopping.
4. Remove R-clip and turn handle back to original position before securing with R-Clip.

TO ADJUST USING OPTIONAL HYDRAULIC SLEW (3PT LINKAGE ONLY)

1. Connect your hydraulic cylinder hoses to the secondary hydraulics on your machine.
2. Using secondary auxiliary controls adjust left or right to desired angle up to 30°.



PLEASE NOTE: IF DURING OPERATION BROOM CREEPS FROM DESIRED ANGLE PLEASE CONTACT DIGGA ON (07) 3807 3330 FOR OPTIONAL LOCK VALVE.



CAUTION: ENSURE SPRING LOADED ANGLE LOCKING PIN IS REMOVED OR DISENGAGED BEFORE SLEWING, DAMAGE TO ATTACHMENT/MACHINE COULD RESULT IF PIN IS LOCKED.

5 INSTALLATION AND OPERATING INSTRUCTIONS

REMOVAL AND STORAGE

1. Set the attachment on the ground and follow the standard shut down procedure in your loader operators manual.
2. With the loader OFF, disengage the attachment lock pins, release hydraulic pressure from the auxiliary hydraulic system and disconnect the hydraulic couplers from the loader.
3. Lower leg stands and pin into lowered position to ensure brush longevity.



CAUTION: DO NOT ALLOW WEIGHT TO REST ON BRUSH FOR EXTENDED PERIODS OF TIME WHILE NOT IN USE AS THIS WILL DAMAGE BRUSH AND / OR ATTACHMENT.

4. Start the machines engine and make sure that the lift arm is lowered and in contact with the loader frame.
5. Roll the attachment mechanism forward and slowly back up until the attachment is free from the machine.
6. Remove and store the attachment in a dry and protected place. Leaving the Cleana Angle Broom outside will materially shorten its life.

WHEN ATTACHMENTS NOT ON PARENT MACHINE:

It is a requirement of the Australian Work place Health and Safety act 2011 that safe systems of work are employed when handling any attachments. Complete compliance with Work place Health and Safety issues is compulsory and all due care and attention must be observed at all times in any method of moving, transporting or storing any such device when not attached to a parent machine. We recommend attachments are well secured when being moved or in transit and furthermore prior to moving, storing, loading/unloading or parking it is suggested that the attachment is strapped/secured to a pallet or enclosed in a suitable container to minimise any movement or loss of the load during such activity. NO responsibility for loss or damage to persons or property in any regard can be attributed to Digga.

TRANSPORTING THE ATTACHMENT

1. Follow all federal, state and local regulations when transporting the unit on public roads.
2. Use extra care when loading or unloading the machine onto a trailer or truck. Disconnect hydraulic couplers during transportation.

The key feature of your Digga Cleana Angle Broom is low maintenance. It contains user serviceable parts. When servicing your product remember to use only genuine Digga replacement parts. Use of non-genuine Digga parts will void warranty and Digga will accept no liability what so ever for consequential damages as a result thereof.



SAFETY FIRST!! READ AND UNDERSTAND THE SAFETY INSTRUCTIONS BEFORE BEGINNING ANY BROOM MAINTENANCE.

BEFORE FIRST USE

Inspect the attachment for shipping damage. If damage does exist, do not operate until the damaged parts have been replaced or repaired.

BEFORE EACH USE

- Make sure that all nuts and bolts are in place and properly tightened.
- Make sure that all other fasteners are in place and are performing their specified function.
- Make sure that all hydraulic fittings are tightened and that there are no leaks in any fittings or hoses.
- Make sure that all safety signs are in place, are clean, and are legible. (SEE THE SAFETY SIGN SECTION)
- Check for wear and tear on pins, linkages, cutting edges and replace any damaged parts and excessively worn parts.
- Use only manufacturer recommended replacement parts. Other parts may be substandard in fit and quality.
- Always wear safety goggles or glasses when inspecting equipment.
- Grease all grease nipples at the start of the day.

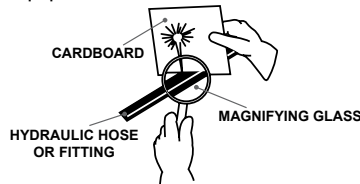
EVERY 10 HOURS OF USE

- Check the Broom axle is inline and adjust as necessary.
Always wear safety goggles or glasses when inspecting equipment.

WARNING!



If injured by injected fluid, see a doctor at once. If your doctor is not familiar with this type of injury, ask him to research it immediately to determine proper treatment.

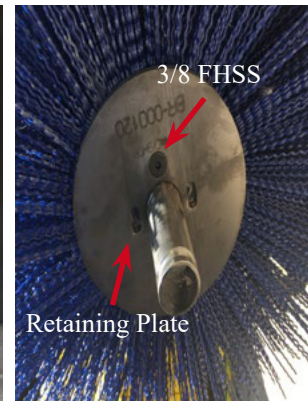


Escaping fluid under pressure can have sufficient force to penetrate the skin causing serious personal injury. Fluid escaping from a very small hole can be almost invisible. Use a piece of cardboard or wood, rather than hands to search for suspected leaks. Keep unprotected body parts, such as face, eyes, and arms as far away as possible from a suspected leak. Flesh injected with hydraulic fluid may develop gangrene or other permanent disabilities.

6 MAINTENANCE

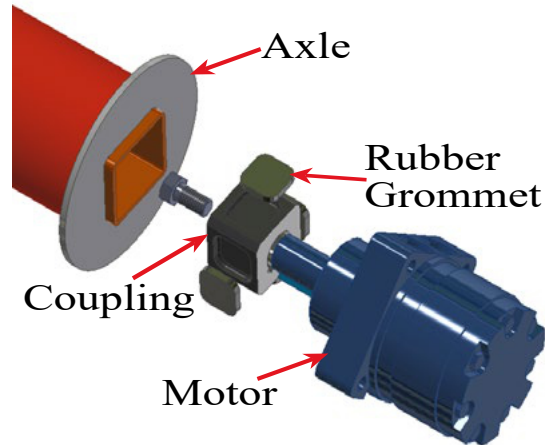
TO REPLACE POLY BRUSH

1. Following all standard safety practices and the instructions for removing an attachment in your machine operator's manual, remove and disconnect the Cleana Angle Broom from your Machine.
2. Lower leg stands and pin into lowered position to stabilize the broom.
3. Unbolt the bearing housing, motor guard and motor from the hood weldment.
4. Using suitable lifting equipment, lift the broom hood weldment leaving the brush remaining on the ground.
5. Lower the weldment to the ground in an area away from the brush to allow you to work on the brush.
6. Loosen the two grub screws which secure the bearing collar to the brush shaft.
7. Slide the bearing, complete with housing, off the shaft.
8. Remove the two 3/8 inch flat head socket screws (FHSS) which secure the retaining plate to the brush shaft.
9. Slide the retaining plate and then the worn poly brush off the bearing side of the shaft.
10. Replace the worn poly brush.
11. Reassemble all parts in the reverse order of above.



REPLACING AXLE OR HYDRAULIC COUPLINGS

1. Following all standard safety practices and the instructions for removing an attachment in your machine operator's manual, remove and disconnect the Cleana Bucket Broom from your Machine.
2. Remove your poly brush as per the above instructions.
3. When the hydraulic motor bolts are removed, the hydraulic motor and coupling can be slid from the axle.
4. Remove the bolt in the end of the motor shaft, and using a puller, remove the coupling from the motor shaft.
5. Replace the coupling by gently tapping the new one back onto the motor shaft until firm.
6. Replace the drive coupling square rubber grommets on the outside of the coupling.
7. Replace the bolt using a little Loctite and reassembly broom axle as set out previously.



7 SAFETY - STICKER LOCATION

PLACEMENT OR REPLACEMENT OF SAFETY SIGNS

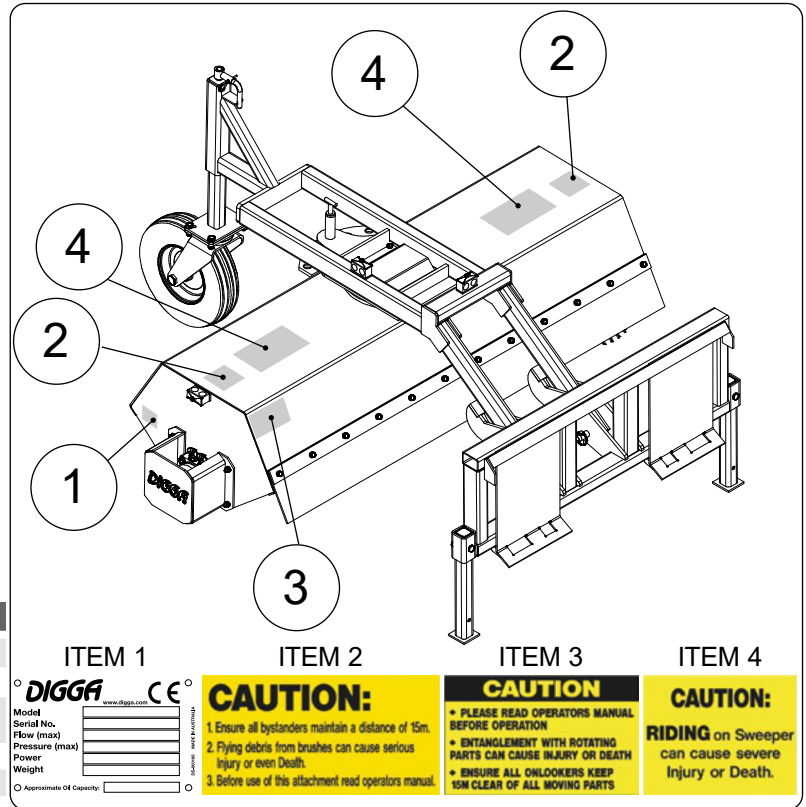
1. Clean the area of application with non-flammable solvent, then wash the same area with soap and water.
2. Allow the surface to fully dry.
3. Remove the backing from the safety sign, exposing the adhesive surface.
4. Apply the safety sign to the position shown in the diagram above and smooth out any bubbles.

INSTRUCTIONS

- Keep all safety signs clean and legible.
- Replace all missing, illegible, or damaged safety signs.
- Replacement parts for parts with safety signs attached must also have safety signs attached.
- Safety signs are available from your dealer or from Digga Australia.

CLEANA ANGLE BROOM

NO	ORDER CODE	DESCRIPTION	QTY
1	DE-000168	DIGGA SERIAL TAG	1
2	DE-000036	CAUTION - ENSURE BYSTANDERS 15M BRUSHES	2
3	DE-000038	CAUTION - PLEASE READ 15M CLEAR	1
4	DE-000040	CAUTION - RIDING ON SWEEPER	2



8 TROUBLESHOOTING

CLEANA ANGLE BROOM		
TROUBLE	POSSIBLE CAUSE	REMEDY
Brush does not turn.	Quick Couplers not engaged properly.	Check hoses and engage properly.
	Quick Coupler Failure.	Replace faulty coupler.
	An Obstruction in the hoses.	Remove obstruction.
	Motor Failure.	Contact your local Digga Dealer.
Does not sweep correctly.	Incorrect Brush Height Adjustment.	Check and adjust.
	Worn Brush.	Replace brush.
	Brush Speed too fast or too slow.	Adjust brush R.P.M to suit conditions.
	Parent Machine Travel to Slow or too Fast.	Adjust travel speed.
	Incorrect Brush Rotation and or Travel Direction.	Adjust brush rotation and travel speed.
Hydraulic oil overheating.	Relief valve set too low on parent machine.	Test and set as needed.
	Restriction in hose or quick coupler.	Inspect and Repair.
	Faulty coupler.	Inspect and Repair.
	Parent machine not equipped with oil cooler or sufficient oil capacity.	Stop, allow to cool when it gets hot.
Brush wearing quickly.	Brush RPM too high.	Reset or Lower RPM.
	Incorrect brush adjustment.	Check and adjust.
	Brushing highly abrasive material.	Contact your local Digga Dealer.
Bucket wear edges wearing quickly.	Broom being used at incorrect angle.	Adjust broom angle.
Broom body does not swivel.	Locking pin is still engaged.	Disengage Locking pin.
	Broom is fouling with the ground.	Ensure Broom is lifted to allow swivel.
	Pivot/Bearing mechanism seized.	Lubricate mechanism.
Jockey Wheel does not swivel.	Swivel mechanism seized.	Strip & Lubricate.
Jockey Wheel lifter mechanism is not lifting.	Lead screw mechanism seized.	Strip & Lubricate.
Broom is not following contour of the ground.	Horizontal pins on attachment plate to main frame still attached.	Remove horizontal pins to allow broom to follow contour of ground.

9 SPARE PARTS

For further information on spare parts please contact one of the Digga sales office below your closest authorised Digga Dealer.

DIGGA INTERNATIONAL SALES OFFICES

ASIA PACIFIC

DIGGA HEAD OFFICE - BRISBANE

4 Octal St, Yatala QLD 4207

PH: (07) 3807 3330

EMAIL: info@digga.com

DIGGA NEW SOUTH WALES

19 Mckay Close,
Wetherill Park, NSW 2164

PH: 1300 2 DIGGA

EMAIL: nsw@digga.com

DIGGA VICTORIA

17-21 Babbage Dr,
Dandenong, VIC 3175

PH: 1300 2 DIGGA

EMAIL: vic@digga.com

WEB: www.digga.com

NORTH AMERICA

DIGGA NORTH AMERICA

2325 Industrial Parkway SW
Dyersville IA 52040

PH: + 1 563 875 7915

WEB: www.diggausa.com

EMAIL: info@diggausa.com

EUROPE

DIGGA EUROPE

Unit 6, Smitham Bridge Road
Hungerford Trading Estate,
Hungerford, Berkshire RG17 0QU
England, United Kingdom

PH: +44 (0) 1488 688 550

WEB: www.diggaeuropa.com

EMAIL: info@diggaeuropa.com

WARRANTY

All new Digga products are warranted to be free from defects in materials or workmanship, for a period of twelve (12) months from date of original purchase, which may cause failure under normal usage and service when used for the purpose intended. Digga Australia Pty Ltd warrants its equipment for a period of twelve (12) months dating from delivery to the original user.

In the event of failure (excluding cable, ground engaging parts such as sprockets, digging chain, bearings, teeth, tamping and demolition heads, blade cutting edges, pilot bits, auger teeth, auger heads), if after examination, Digga determines failure was due to defective material and/or workmanship, parts only will be repaired or replaced. Digga may request defective product or products be returned prepaid to them for inspection at their place of business or to a location specified by Digga. The warranty will be considered void if the product or any part of the product is modified or repaired in any way not expressly authorized by Digga, or if closed components are disassembled prior to return. Closed components include, but are not limited to: gearboxes, hydraulic pumps, motors, cylinders and actuators. Any goods returned to Digga by the customer under warranty or repair must have all freight charges prepaid for on the customers account.

Any claims under this warranty must be made within fifteen (15) days after the Buyer learns of the facts upon which such claim is based. All claims not made in writing and received by Digga outside the time period specified above shall be deemed waived.

DAMAGE OR FAILURE THROUGH OPERATOR ABUSE OR NEGLIGENCE VOIDS WARRANTY

THIS WARRANTY IS IN LIEU OF ALL OTHER WARRANTIES EXPRESSED OR IMPLIED AND THERE ARE NO WARRANTIES OF MERCHANTABILITY OR OF FITNESS FOR A PARTICULAR PURPOSE. IN NO EVENT SHALL DIGGA BE LIABLE FOR CONSEQUENTIAL OR SPECIAL DAMAGE. DIGGA'S LIABILITY FOR ANY AND ALL LOSSES AND DAMAGES TO BUYER, RESULTING FROM ANY CAUSE WHATSOEVER, INCLUDING DIGGA'S NEGLIGENCE, IRRESPECTIVE OF WHETHER SUCH DEFECTS ARE DISCOVERABLE OR LATENT, SHALL IN NO EVENT EXCEED THE PURCHASE PRICE OF THE PARTICULAR PRODUCTS WITH RESPECT TO WHICH LOSSES OR DAMAGES ARE CLAIMED, OR, AT THE ELECTION OF DIGGA, THE REPAIR OR REPLACEMENT OF DEFECTIVE OR DAMAGED PRODUCTS.



Australian Designed and Manufactured

Available through

**EARTHMOVING
WAREHOUSE**

earthmovingwarehouse.com.au

0459927346 (0459 WAREHOUSE)
Shed C1/C2 194 Zillmere Road,
Boondall Brisbane 4034
QLD