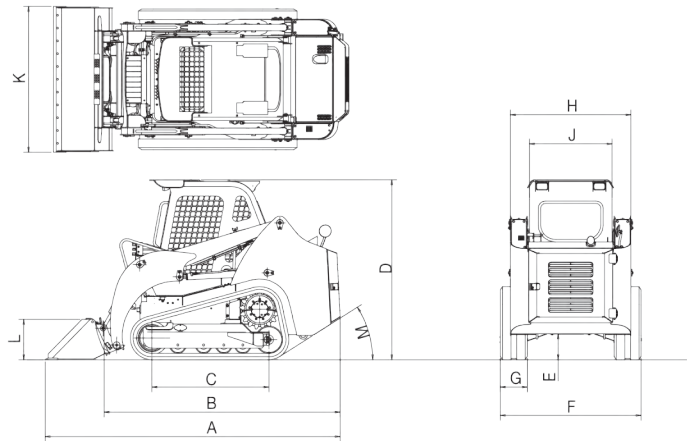




CL35

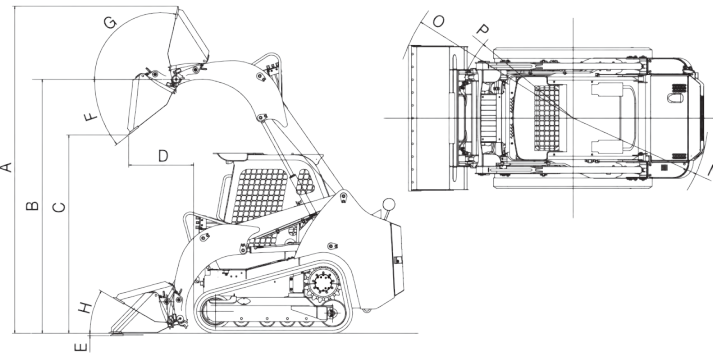
COMPACT TRACK LOADER

【Dimensions】



A : Overall length (with bucket)	3,500 mm
B : Overall length (without bucket)	2,800 mm
C : Crawler bearing length	1,390 mm
D : Overall height	2,135 mm
E : Minimum ground clearance	310 mm
F : Width overtracks (without bucket)	STD Crawler 1,670 mm OPT Wide Crawler 1,750 mm
G : Crawler width	STD Crawler 320 mm OPT Wide Crawler 400 mm
H : Frame width	1,430 mm
J : Cab width	980 mm
K : Bucket width	1,730 mm
L : Bucket height	480 mm
M : Departure angles	32°

【Working Range】



A : Overall operating height - fully raised	3,875 mm
B : Height to hinge pin - fully raised	3,010 mm
C : Dump height	2,350 mm
D : Reach at full height - fully raised	770 mm
E : Digging depth	29 mm
F : Dump angle	38°
G : Maximum rollback angle - fully raised	103°
H : Maximum rollback angle at ground	30°
N : Rear turning radius	1,600 mm
O : Front turning radius with bucket	2,140 mm
P : Front turning radius without bucket	1,380 mm

【Specifications】

Performance	Canopy	Cabin
Bucket Capacity SAE Heaped		0.36 m ³
Operating Weight	3,540 kg	3,600 kg
Transportation Weight	3,465 kg	3,525 kg
Travel Speed (Low/High)	6.7 km / 10 km / h	
Gradeability	58% (30°)	
Tipping Capacity SAE J732	2,230 kg	
Rated Operation Capacity SAE J818	780 kg	
Ground Bearing Pressure	38.8 kPa	39.4 kPa
Bucket Digging Force	28.6 kN	

Engine	
Model	Kubota V2403-CR-TE4B-TLKW-1
Rated Output	46.3kW ± 5% / 2,700min ⁻¹ (63.0 ps / 2,700rpm)
Displacement	2,434 L
Fuel Tank Capacity	91 L

Hydraulic System	
System Pressure	20.6 MPa
Hydraulic Tank Capacity	40 L
Auxiliary Flow	80.6 L / min

【Options】

- ROPS-certified cabin
- Air conditioner
- Throttle Pedal

- Before you operate the machine, study the instruction manual thoroughly and follow the instructions it contains.
- Some differences may arise between the machine delivered and the photographs in the catalog due to any added improvements.
Note: The specification may be changed without notice.
- The actual colors of the body and interior may appear slightly different from those shown in this catalog due to the limitation of photography and printing.

● Contact for enquiry:

Available through



earthmovingwarehouse.com.au
0459927346 (0459 WAREHOUSE)
Shed C1/C2 194 Zillmere Road,
Boondall Brisbane 4034
Queensland, Australia

COMPACT TRACK LOADER

CL35

KATO



Compact & Powerful + Versatile!

CL35

COMPACT TRACK LOADER

Operability & Comfortability

The CL35 features a comfortable operator's seat with joystick control, increasing productivity. Cabin with A/C for extra comfort is available as an option.



▲ Cabin with A/C (Option)
Swing-out front door for easy getting in and out.



Wide Foot Space



Auxiliary Piping Control Switches are equipped on the left joystick lever.



Safety Features



Safety equipment protects operator from dangerous situations.

◀ Safety Bar
Lift-Arm Support ▶



▶ Hammer for emergency evacuation (Located behind the operator's seat)



Serviceability

Our operator-friendly design enables fuss-free maintenance and easy cleaning.



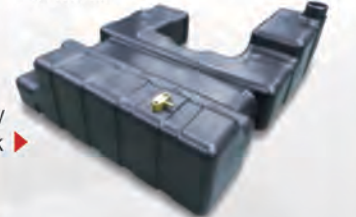
◀ The ROPS can be tilted for easy access to the engine and other service ports.



▲ Side-by-side Radiator and Oil Cooler enable easy cleaning.



▲ 2 Split Sprocket
This sprocket can be replaced without removing the rubber crawler.



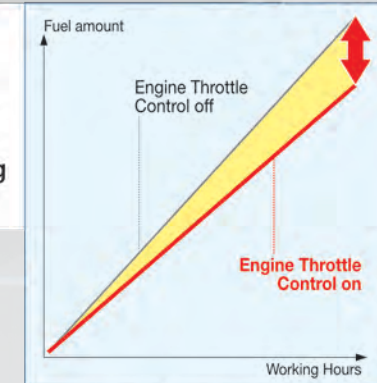
Large Capacity Fuel Tank ▶

Ecological Features



Engine Throttle Control

One-touch decelerating function gives less fuel consumption, optimizing engine output.



▲ Environmentally-friendly Engine
US EPA Tier4 final compliant