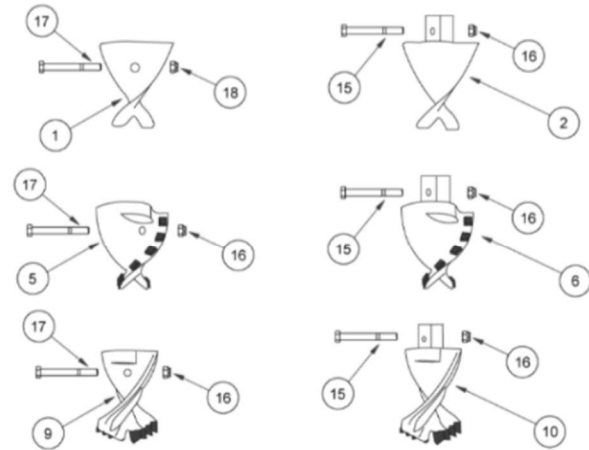
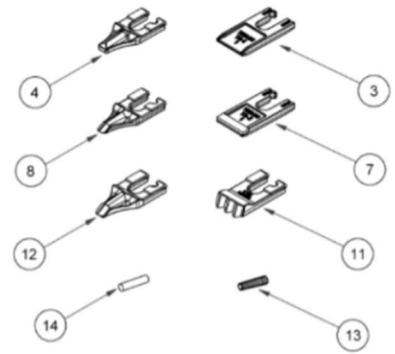
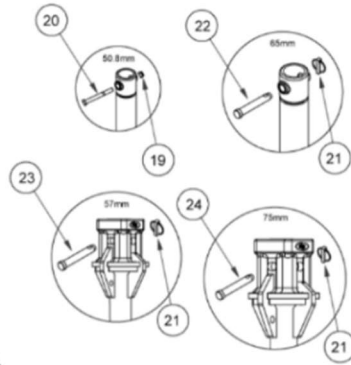
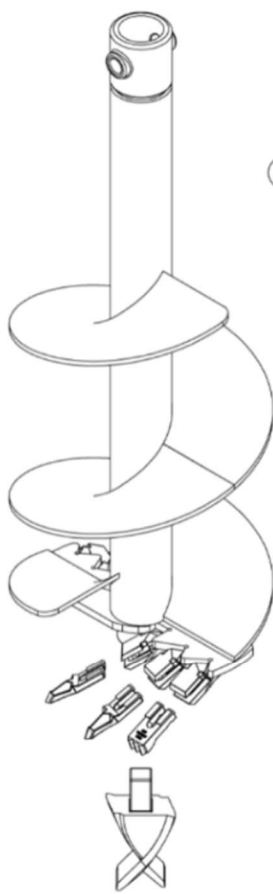


DIGGA

A4

**W
E
A
R
P
A
R
T
S**



NO.	PART NO.	DESCRIPTION	NO.	PART NO.	DESCRIPTION
1	PM-1	AUGER PILOT - EARTH	13	WP-000293	TRULOC TOOTH NYLON PIN - PACK OF 10
2	PM-SQ-1	AUGER PILOT - EARTH	14	D670	RUBBER LOC - 1 METRE LENGTH
3	TS-1	FLAT TOOTH - EARTH	15	FA-000050	BOLT - HEX
4	TS-C-1	CHISEL TOOTH - EARTH	16	FA-000093	NYLOC NUT
5	PM-2	AUGER PILOT - TUNGSTEN CARBIDE	17	FA-000044	BOLT - HEX
6	PM-SQ-2	AUGER PILOT - TUNGSTEN CARBIDE	18	FA-000094	NYLOC NUT
7	TS-2	FLAT TOOTH - TUNGSTEN CARBIDE	19	FA-000090	NYLOC NUT
8	TS-C-2	CHISEL TOOTH - TUNGSTEN CARBIDE	20	FA-000030	HEX BOLT
9	PM-3	AUGER PILOT - MULTI-FACET TUNGSTEN	21	PI-000032	LYNCH PIN
10	PM-SQ-3	AUGER PILOT - MULTI-FACET TUNGSTEN	22	PI-000012	PIN
11	TS-3	FLAT TOOTH - MULTI-FACET TUNGSTEN	23	PI-000025	PIN
12	TS-C-3	CHISEL TOOTH - MULTI-FACET TUNGSTEN	24	PI-000029	PIN