

Warranty

Clothesline 4U

The Clothesline 4U ailer is made of industrial grade stainless steel and is suitable for indoor and outdoor use. Minor surface corrosion is expected when exposed to long term outdoor weather conditions. Assemble as per instructions overleaf and as shown on the website, www.clothesline4u.com.au (Website). Instructions for use

- designed for domestic use only;
- only place clothing items, manchester and bath linen products on Clothesline 4U;
- distribute items evenly over the ailer and the total weight must not exceed 25 kgs;
- don't place near a fire or live electricity supply.

6-month Warranty Terms and Conditions (refer Website for full details)

1. This warranty is given by Star Australasia Pty Ltd ABN 53 075 298 430 (Warrantor) to a purchaser of the Clothesline 4U who was an Australian or New Zealand resident at the time of purchase (you).
2. Separate from this warranty, consumer laws in Australia and New Zealand provide certain guarantees to purchasers that cannot be excluded, restricted or modified and consumers are entitled to seek repairs, replacements or refunds when products are faulty.
3. Where your Clothesline 4U is defective within 6 months of purchase, the Warrantor shall, at its sole discretion, repair or replace it or refund the full purchase price.
4. This warranty shall not apply where the Clothesline 4U has not been assembled, maintained or used according to the Warrantor's instructions or specifications or has been modified in any way or has been repaired by a non-competent person or where non approved replacement parts have been used or is damaged or defective caused by deliberate or negligent misuse or abuse, accident, physical alteration, fire, force majeure, tampering or unauthorised repairs by any persons, use of defective or incompatible accessories or corrosive conditions.
5. The Warrantor's liability under this warranty shall not exceed the amount of the purchase price of the Clothesline 4U or the replacement of it with the same or similar product.
6. To claim under this warranty you must first seek advice as to how to proceed from the Warrantor via the Website and where the claim proceeds you must provide this warranty, the defective Clothesline 4U, original proof of purchase and other requirements set out in the Website, failing which the Warrantor won't have any liability.
7. You will bear the costs of making a claim.
8. Where goods are damaged or defective upon delivery, you must provide photographic evidence of such before receiving a repair, replacement or refund.
9. Any parts replaced during repairs remain the property of the Warrantor.
10. The warranty of a replacement part or unit will expire on the same date as the expiry date of the warranty period on the original part or unit replaced.
11. Enquiries: Mob. (Aus) 0435 533 499; info@clothesline4u.com.au.
12. For more T&C ref to our website www.clothesline4u.com.au



Scan me
to see the video of how
to install this product

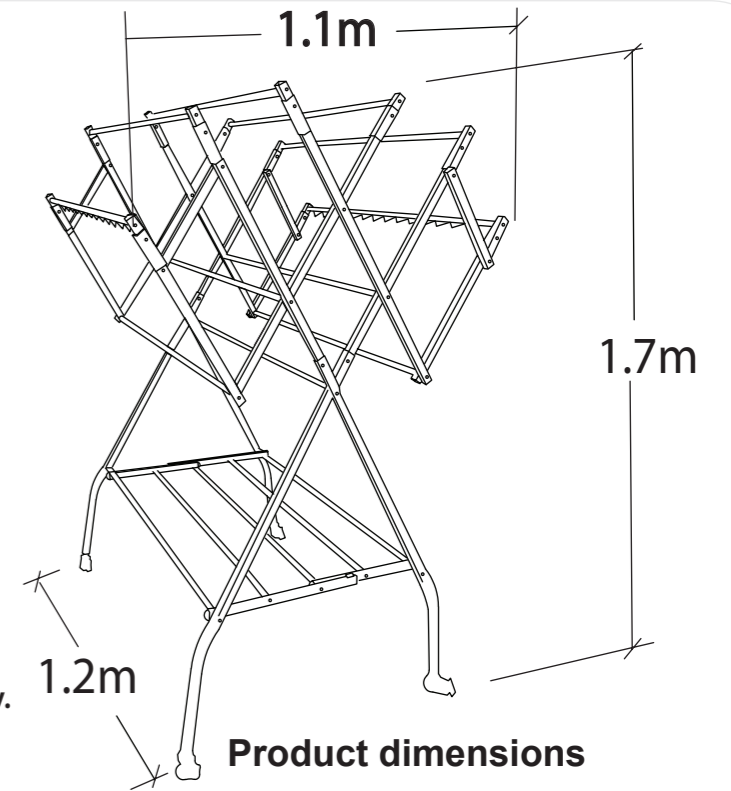
INSTRUCTION MANUAL

CLOTHESLINE4U



READ THIS BEFORE INSTALLATION:

- 1) Do not remove the plastic wrap /tape around the leg and the top arms (shown in step 2 &4) that holds the screws and washers until shown steps.
- 2) Two people required for easy installation. For easy assembly do step 1 & 2 on a flat surface.
- 3) Don't tighten the screws until final step.
- 4) The cross hanger rods are interchangeable by depressing the latch to release and snap to different position. These Zig zag cross rod wires position can be adjusted by loosening the screws on the ends of the rods and tightening back.
- 5) Do not over load the unit when in use
Safe working load (SWL)- 25KG max.
- 6) Evenly distribute the load across the clothesline.
- 7) Read steps to follow orientation of parts for assembly.
- 8) Do not use power tools to assemble this product.



Out of Box

Rod numbers, length, qty (In pack-B)

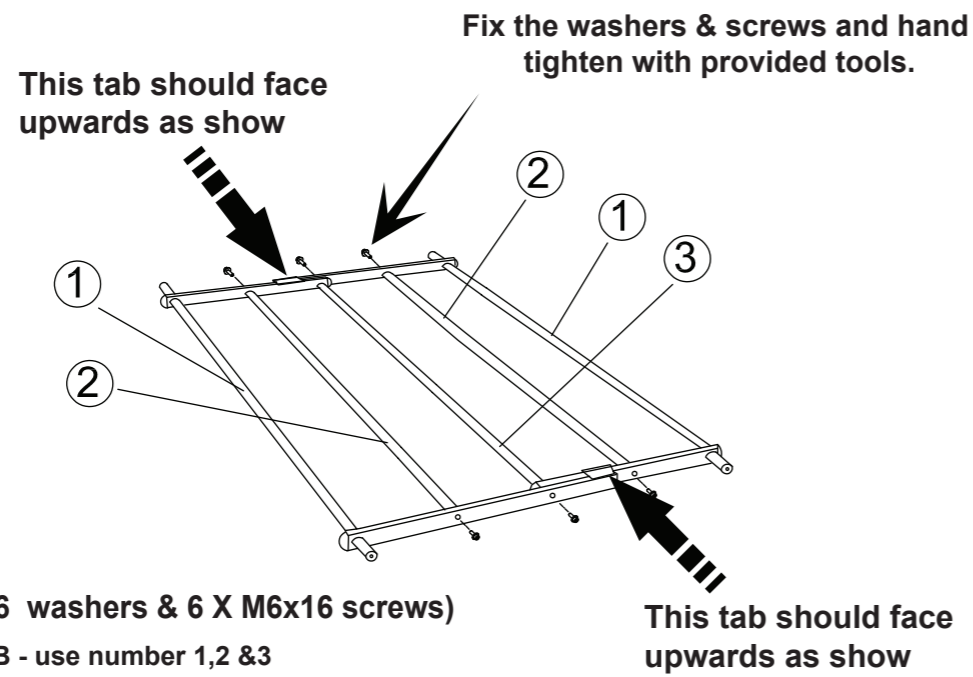
①	119cm	(2- off)
②	111cm	(2- off)
③	112cm	(1- off)
④	117cm	(5- off)

- A - Bottom rail holders- 4 parts - For step 1
 B - Top arm & Bottom rail rods
 (1,2,3 - numbered, total -5 rods in total for step 1)
 (4 - numbered, total 5 rods in total for step 3 & 5)
 C - Main Legs- 2 assembly with wheels for step 2
 D - Top arm - 2 assembly for step 4
 E - Cross hanger rods - 6 parts for step 6
 F- Allen key - 2 , Spanner - 1
 washers & screws - 4 X Ø 22 , 6 X Ø16 - washers & 10 X M6-16 - screws
 spare - 1 X Ø 22 , 1 X Ø 16 washers & 1 X M6-16 screw in this pack
 G- Instruction manual

Bottom rail holder assembly

Assemble the unit on a flat surface

STEP 1

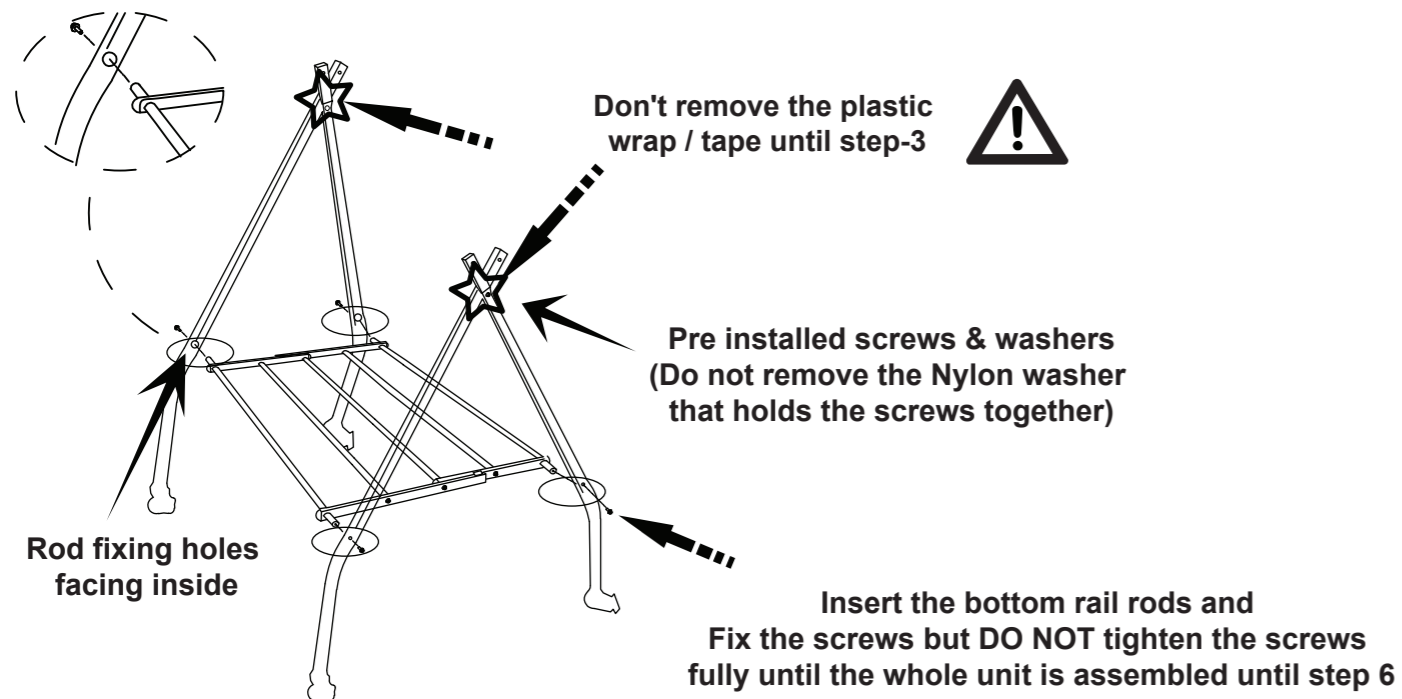


Use:
Pack - A ,B & F (6 X Ø 16 washers & 6 X M6x16 screws)
Rods are numbered in Pack B - use number 1,2 &3

Bottom rail assembly with main legs

To insert the Bottom rail assembly lay the legs on the flat surface side by side and then insert into the respective slots

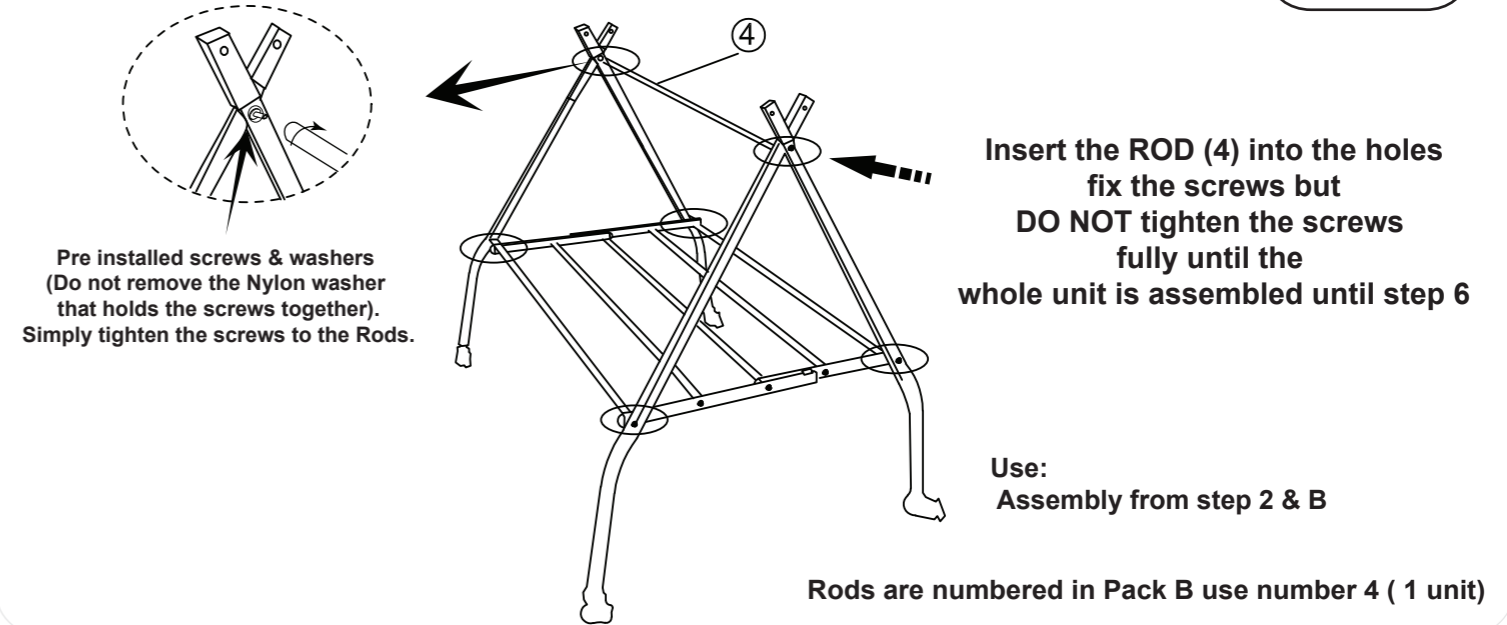
STEP 2



Use:
Pack - C , assembly from step 1 & F (4 X Ø 22 washers & 4 X M6x16 screws)

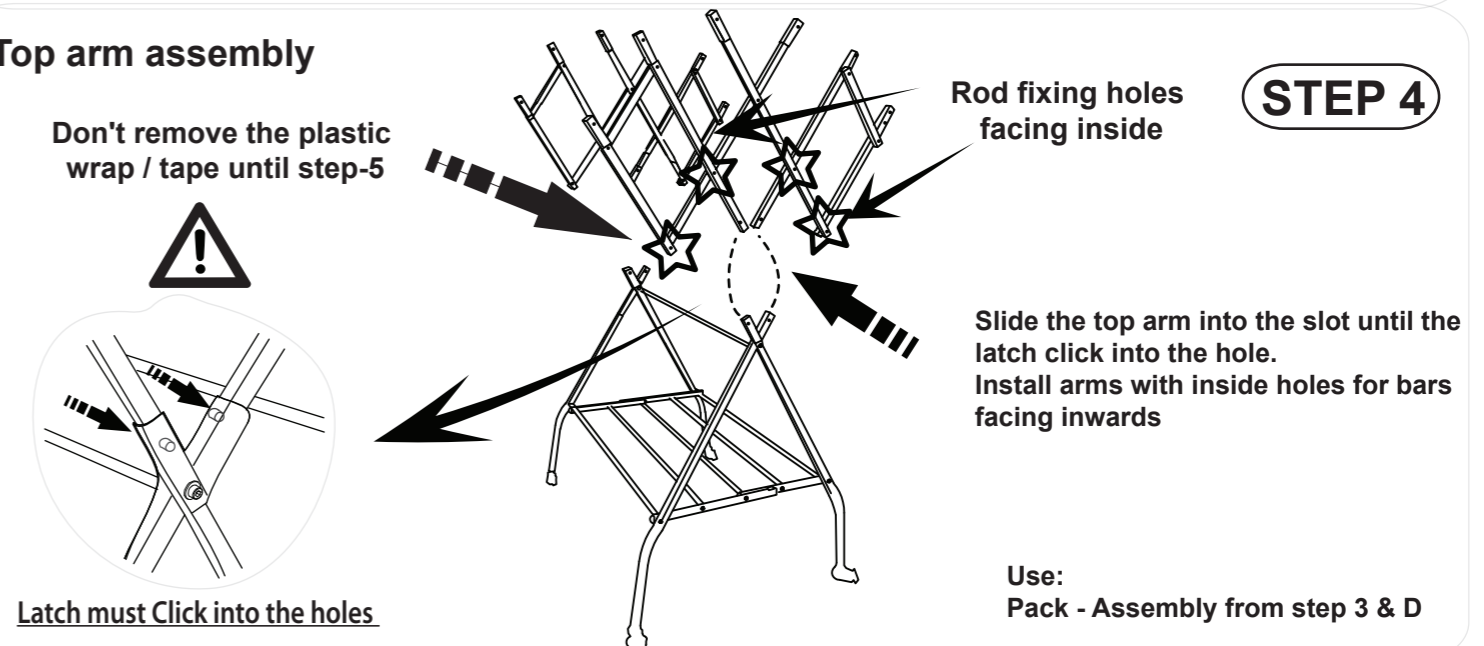
Bottom assembly

STEP 3



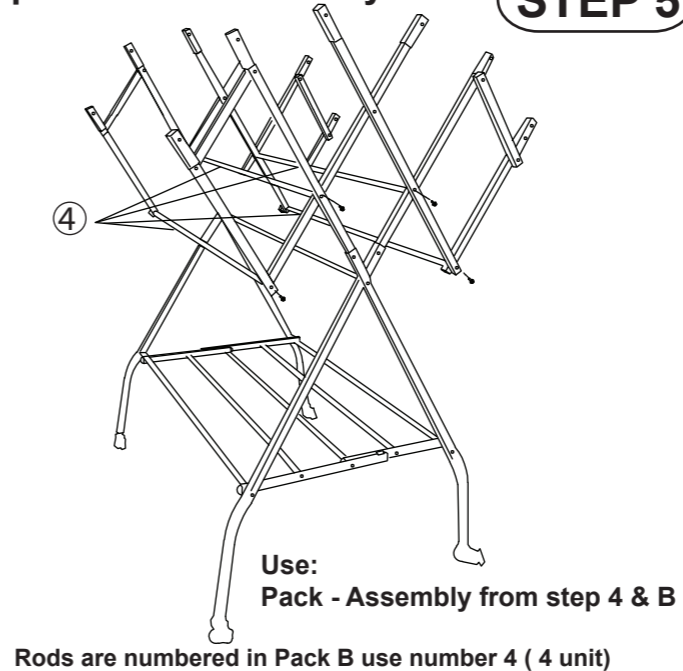
Top arm assembly

STEP 4



Top arm rods assembly

STEP 5



Final assembly

STEP 6

