

SARAH ELLISON.



MUSE

Assembly

Minimal assembly required.

Warranty

We offer a 2 year upholstered product warranty against defects. This does not cover general wear and tear, or accidental breakage post-delivery.

Construction

Combination of solid timber, metal, and engineered timber makes up the frame construction. Seat and back cushion foam and fibre construction.

Seat Softness



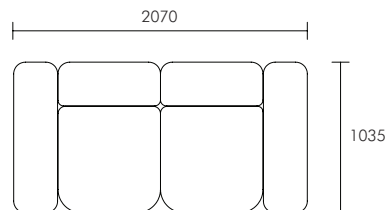
Finishes



2 Seater Dimensions (mm)

Overall: 2070 W x 1035 D x 735 H

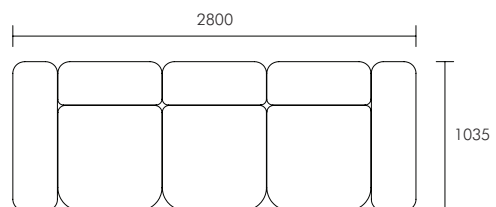
LAF + RAF



3 Seater Dimensions (mm)

Overall: 2800 W x 1035 D x 735 H

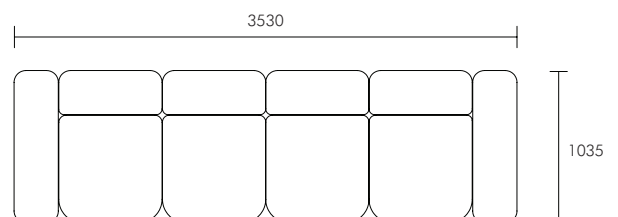
LAF + A/L + RAF



4 Seater Dimensions (mm)

Overall: 3530 W x 1035 D x 735 H

LAF + A/L + A/L + RAF



Please note all dimensions are approximate.

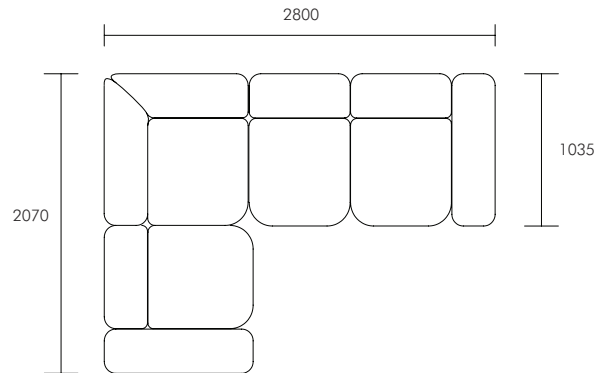
SARAH ELLISON.

MUSE

4 Piece Modular Dimensions (mm)

Overall: 2800 W x 2070 D x 735 H

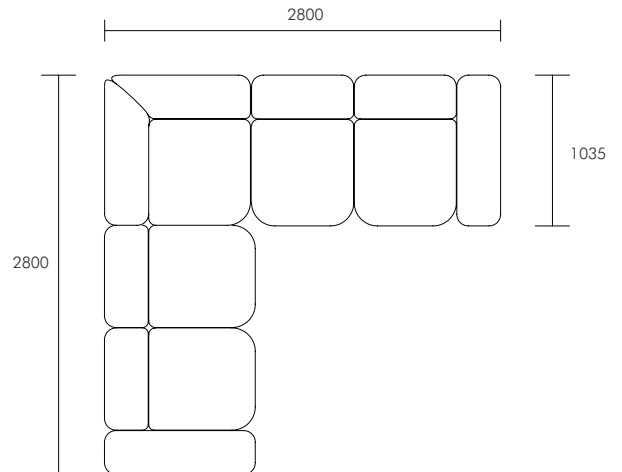
LAF + CNR + A/L + RAF



5 Piece Modular Dimensions (mm)

Overall: 2800 W x 2800 D x 735 H

LAF + A/L + CNR + A/L + RAF



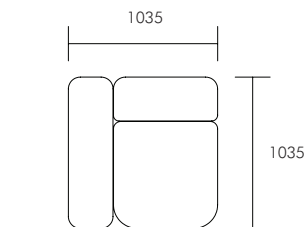
Left Arm Facing Module (LAF) Dimensions (mm)

Overall: 1035 W x 1035 D x 735 H

Seat Height: 410

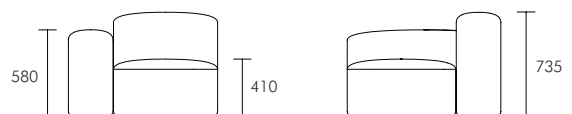
Arm Height: 580

Weight: 25.5 kg



Boxed Dimensions:

Carton 1: 1050 W x 1050 D x 750 H



Please note all dimensions are approximate.

SARAH ELLISON.

MUSE

Right Arm Facing Module (RAF) Dimensions (mm)

Overall: 1035 W x 1035 D x 735 H

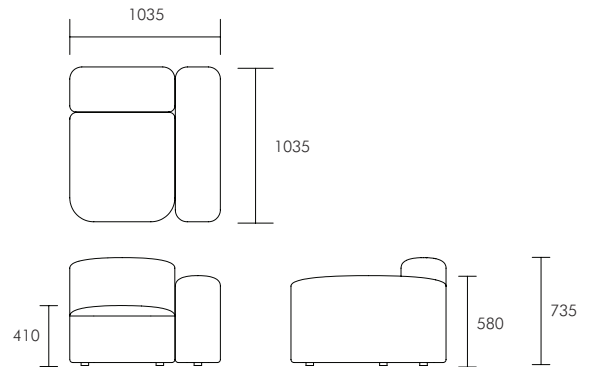
Seat Height: 410

Arm Height: 580

Weight: 25.5 kg

Boxed Dimensions:

Carton 1: 1050 W x 1050 D x 750 H



Armless Module (A/L) Dimensions (mm)

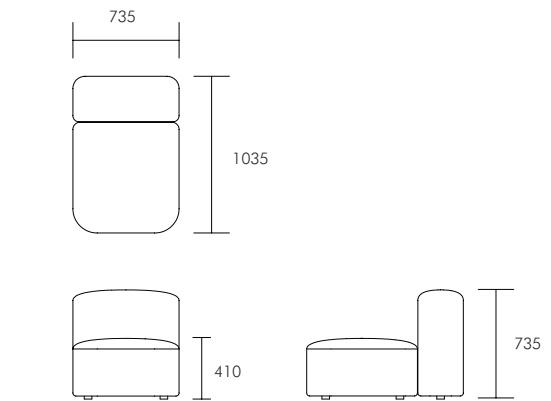
Overall: 735 W x 1035 D x 735 H

Seat Height: 410

Weight: 17.5 kg

Boxed Dimensions:

Carton 1: 750 W x 1050 D x 750 H



Corner Module (CNR) Dimensions (mm)

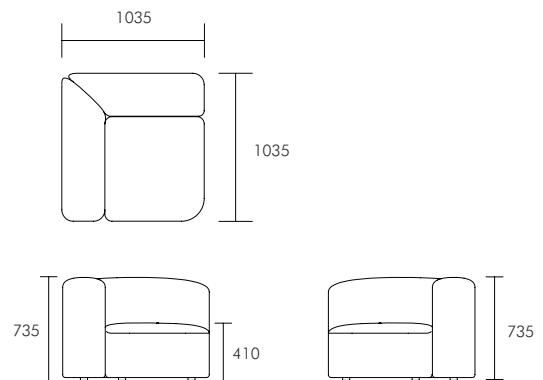
Overall: 1035 W x 1035 D x 735 H

Seat Height: 410

Weight: 27 kg

Boxed Dimensions:

Carton 1: 1050 W x 1050 D x 750 H



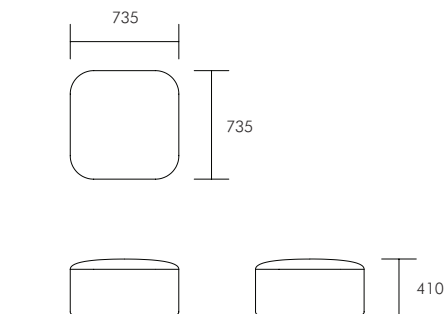
Ottoman (OTM) Dimensions (mm)

Overall: 735 W x 735 D x 410 H

Weight: 10 kg

Boxed Dimensions:

Carton 1: 760 W x 760 D x 440 H



Please note all dimensions are approximate.