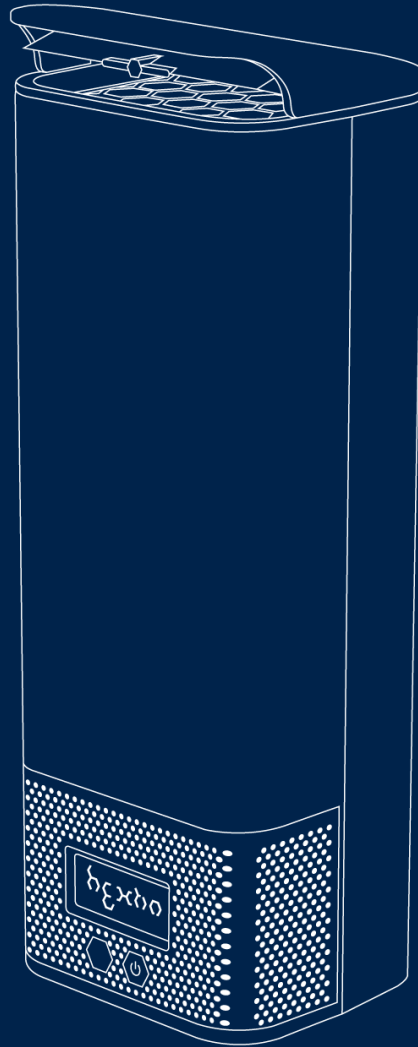


HEXTIO



Radic8
www.radic8.com

Table of Contents

- 1. Hextio 1**
- 2. Safety and Regulation 2**
 - 2.1. Safety Information 3
 - 2.2. Regulatory Information 5
- 3. Warranty 8**
- 4. Product Overview 9**
 - 4.1. Package Contents 10
 - 4.2. Hextio 11
 - 4.3. Remote Control 13
- 5. Installation 14**
- 6. Operation 18**
- 7. Maintenance 21**
 - 7.1. Replacing the Filter 22
 - 7.2. Replacing the Reactor Chamber 26
 - 7.3. Cleaning the Device 27
 - 7.4. Troubleshooting 28
- 8. Specifications 29**
- 9. Support 31**

1. Hextio

User Manual

Version 1.0

Document number HX-1-10.3



2. Safety and Regulation



Radic8 will not be responsible for any injury or loss resulting from the user's failure to operate this device in accordance with its user manual, as updated from time to time, available on www.radic8.com

2.1. Safety Information

 Read and save these user servicing instructions.

Warning

To reduce the risk of fire, electric shock, or injury to persons, please follow the instructions below:

- Use this device only in the manner intended by the manufacturer.
- This device is not intended for use by persons (including children) with reduced physical, sensory, or mental capabilities or lack of experience and knowledge, unless they have been given supervision or instruction concerning use of the device by a person responsible for their safety.
- Children shall not play with the appliance. Cleaning and user maintenance shall not be made by children without supervision.
- Only operate this device with the AC adaptor provided. Failure to do so will result in the voiding of the device's warranty.
- Do not operate the device with a damaged power cord or AC adaptor.
- Do not attempt to alter or modify the power cord or AC adaptor.
- Do not run cord under carpeting. Do not cover cord with throw rugs, runners, or similar coverings. Do not route cord under furniture or appliances. Arrange cord away from trafficked areas to ensure it will not be tripped over.
- Prior to cleaning or other maintenance, the appliance must be switched off and disconnected from the supply mains.
- Wear personal protective equipment (PPE) such as a disposable face mask and gloves when handling serviceable parts.
- Do not obstruct the device's airflow intakes or outlets.
- Remove batteries from the remote control if not in use for an extended period.
- Do not use the fan in this device with any solid-state speed control device.
- This device contains a UV-C emitter. Do not stare at the light source.
 - Unintended use of the device or damage to the housing may result in the escape of dangerous UV-C radiation. UV-C radiation may, even in small doses, cause harm to the eyes and skin.
 - Devices that are obviously damaged must not be operated.
 - Do not attempt to replace the UV-C emitter. This must be performed by a trained technician. Please contact your local Radic8 distributor to perform maintenance.
- Skin or eye damage may result from directly viewing the light produced by the lamp in this apparatus. Always disconnect power before servicing.
- Do not immerse any part of the device in liquid or allow liquid or spray aerosols to enter the device.
- In the event of smoke, unusual odors, or strange noises, switch off the device immediately and disconnect from power. Contact your local Radic8 distributor for support.
- Dispose of device in accordance with local regulations.
- Use biocides safely and sustainably. It is illegal to use this product in a manner other than prescribed on this label.

- **EU ONLY:** This appliance can be used by children aged 8 years and over, as well as persons with reduced physical, sensory, or mental capabilities, or lack of experience and knowledge, provided they have been given supervision or instruction concerning use of the appliance in a safe way and understand the hazards involved.

Please refer to the [Maintenance](#) section of this manual for details concerning the method, frequency of cleaning, and necessary precautions to be taken during maintenance of this device.

2.2. Regulatory Information








Use Environment

The Radic8 Hextio is an air purifier intended for personal use only and is not classified as a medical device. Hextio should be used indoors and must not be placed outdoors or anywhere that it will be exposed to water, rain, or the elements.


Principle method:




Mechanical air filtration and UV sterilization. This device is equipped with a UV lamp and does not employ ionizers or other ozone-generating components.

Labelling Symbols

	Follow instructions for use
	Manufacturer identification
	Date of manufacture
	Catalog number
	Serial number
	Waste electrical and electronic equipment (WEEE). It is the responsibility of the end user to dispose of this equipment at a designated collection point.
	Restriction of Hazardous Substances. The RoHS directive restricts the use of ten hazardous materials in the manufacture of various types of electronic and electrical equipment.

Transport and Storage Symbols

	Indicates correct upright position of the transport package.
---	--

	Indicates that the transport package shall be kept away from rain and in dry conditions.
	Indicates that the contents of the transport package are fragile and that the package shall be handled with care.
	Indicates that the package shall be handled with care.

Certification

	European Conformity indicates that a product has been assessed by the manufacturer and deemed to meet European Union (EU) safety, health, and environmental protection requirements. This certification is required for products manufactured anywhere in the world that are marketed in the EU.
	The Federal Communications Commission certification indicates that the device meets regulated limits for ionizing radiation and is employed on electronic products manufactured or sold in the United States. This indicates that the electromagnetic radiation from the device is below the limits specified by the Federal Communications Commission and the manufacturer has followed the requirements of the Supplier's Declaration of Conformity authorization procedures.
	UL Listing means that UL has tested representative samples of a product and determined that the product meets specific, defined requirements. These requirements are based on UL's published and nationally recognized Standards for Safety.
	The UKCA (UK Conformity Assessed) indicates that a product has been assessed by the manufacturer and deemed to meet the UK safety, health, and environmental protection requirements. This certification is required for products manufactured anywhere in the world that are marketed in the UK.
	BSMI certification is mandatory for electrical and electronic products under the Commodity Inspection Act and applicable to certain products that are marketed in Taiwan.

FCC Notice

This device complies with part 15 of the FCC Rules. Operation is subject to the following two conditions: (1) This device may not cause harmful interference, and (2) this device must accept any interference received, including interference that may cause undesired operation.

NOTE: This equipment has been tested and found to comply with the limits for a Class B digital device, pursuant to part 15 of the FCC Rules. These limits are designed to provide reasonable protection against harmful interference in a residential installation. This equipment generates, uses and can radiate radio frequency energy and, if not installed and used in accordance with the instructions, may cause harmful

interference to radio communications. However, there is no guarantee that interference will not occur in a particular installation. If this equipment does cause harmful interference to radio or television reception, which can be determined by turning the equipment off and on, the user is encouraged to try to correct the interference by one or more of the following measures:

- Reorient or relocate the receiving antenna.
- Increase the separation between the equipment and receiver.
- Connect the equipment into an outlet on a circuit different from that to which the receiver is connected.
- Consult the dealer or an experienced radio/TV technician for help.

Please note that changes or modifications not expressly approved by the party responsible for compliance could void the user's authority to operate the equipment.

Disposal

Dispose of device in accordance with local regulations. Consisting of metal, plastic, and rubber, significant portions of this device are recyclable and should be disposed of in an environmentally friendly manner by a third-party recycling company.

3. Warranty

In the event of a warranty claim, Radic8's warranty policy and warranty claim process must be followed:

- If Hextio is **not shipped with a warranty card**, please immediately contact your local Radic8 distributor about your warranty and follow your local Radic8 distributor's instructions.
- If Hextio is shipped **with a warranty card**, please immediately refer to this warranty card for warranty claim information and follow the instructions.

Please take note of the important requirements and conditions forming part of any product warranty which includes, but is not limited to, the following:

- Immediately turn off and stop using this product as soon as any defect is detected, and failure to do so will exclude any warranty claim.
- Any damage due to external causes will exclude any warranty claim, including without limitation, accident, abuse, misuse, mishandling, negligence, incorrect and/or inconsistent power supply and/or any other electrical power supply reason, water or moisture damage, abnormal storage, abnormal working conditions, and any damage caused by consumables and parts not supplied by Radic8.
- Only Radic8 parts must be used when replacing consumables, maintaining and/or repairing this product, and failure to do so will exclude any warranty claim.
- Only a Radic8-approved technician may perform any required repairs, and failure to do so will exclude any warranty claim.
- Any warranty that may be in place is non-transferable and is only granted to the customer who purchased this product directly from Radic8 or to the customer who purchased this product directly from a Radic8-authorized distributor ("Customer").
- It is the Customer's responsibility to ensure that this product is operated and maintained in accordance with the instructions as set out in this product's user manual, as updated from time to time, and failure to do so will exclude any warranty claim.

4. Product Overview

Hextio is your personal clean air companion. It is the only desktop device featuring the same Radic8 technology used by industries around the world for safe filtration and deactivation of airborne pollutants. Hextio is intended to be used as a personal clean air delivery device, situated on a desk, counter, or bedside table only.

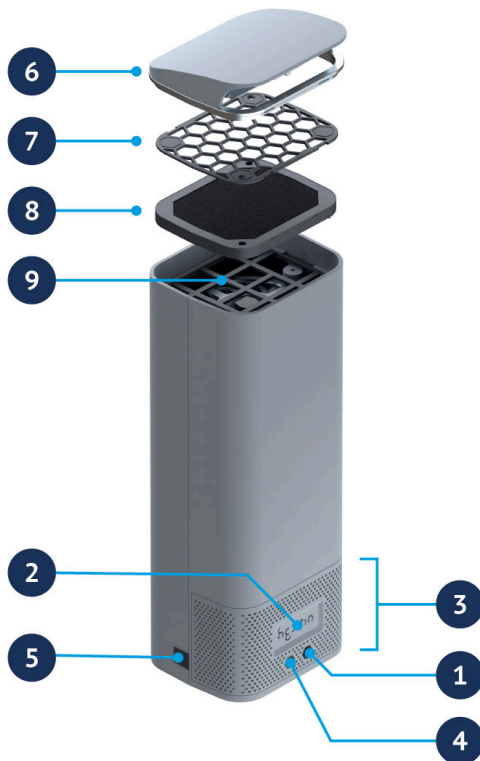


4.1. Package Contents

	Hextio		Airflow guide
	AC adaptor		Remote control (batteries not included)
	Quickstart Guide		Warranty Card*

*(Included only if Hextio is purchased directly from Radic8. Refer to the [warranty section](#) of this user manual)

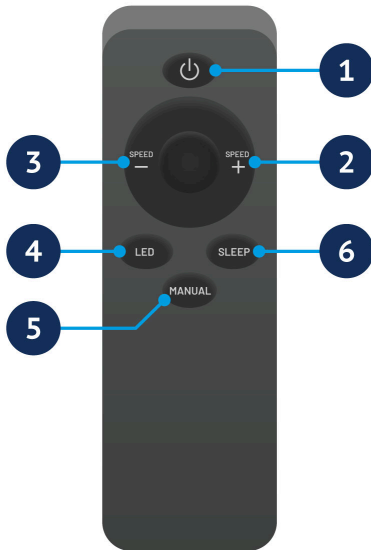
4.2. Hextio



1	Power button	Switches the device on or off
2	Hextio light	Indicates the mode of the device. Hextio light color descriptions
3	Air intake / backlight	The backlight shines through the air intake holes and indicates the status of the device. Backlight color descriptions
4	IR sensor	Accepts input from the included remote control
5	12V DC input	12V DC power input from the included AC adaptor
6	Airflow guide	Directs the flow of air towards the user

7	Top filter grid	Secures the hybrid filter in place
8	Hybrid filter	Dual carbon and particulate matter air filter
9	Bottom filter grid	Supports the hybrid filter

4.3. Remote Control

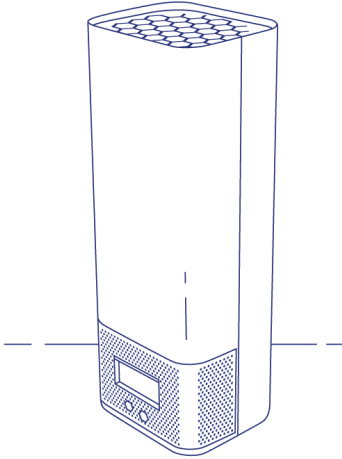


1	Power button	Switches the device on or off
2	Fan speed up	Increase the fan speed when Hextio is in Manual mode
3	Fan speed down	Decrease the fan speed when Hextio is in Manual mode
4	LED button	Switches backlight and Hextio light on or off
5	Manual button	Cycles between Auto and Manual modes
6	Sleep mode	Enable Sleep mode

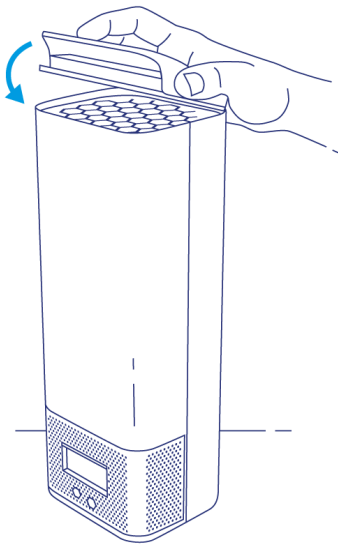
5. Installation

! Before installation, ensure you have read this manual and understand the operational requirements of the device.

1. Place Hextio upright on a desk, counter, or bedside table:



2. Attach the airflow guide by carefully pressing it on to the top of the device and allowing it to click into place:



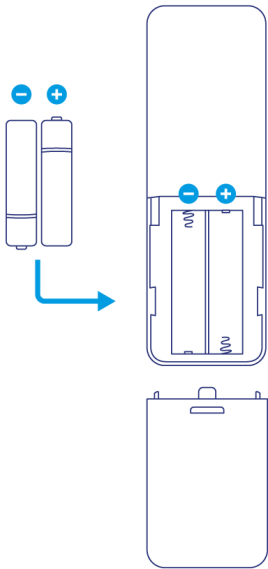
3. Prepare the remote control:

A) While pressing the release latch on the back of the remote control, remove the battery compartment

cover.

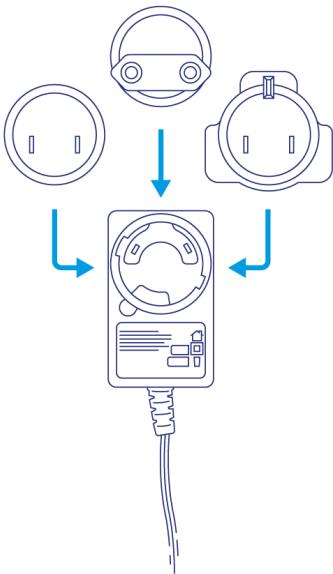
B) Insert two AAA batteries (not included) into the battery compartment. Ensure the negative terminals (marked by '-' symbols) on the batteries make contact with the springs in the battery compartment.

C) Replace the battery compartment cover.

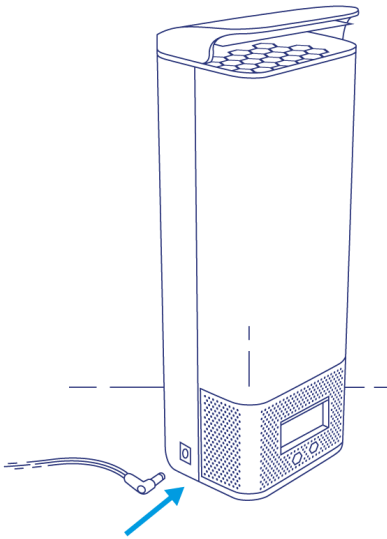


Remove batteries from the remote control if not in use for an extended period.

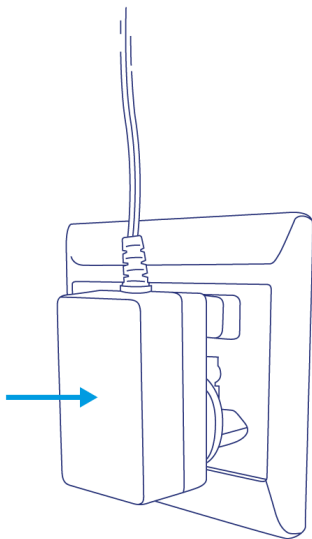
4. Assemble the AC adaptor with the correct plug based on your region:



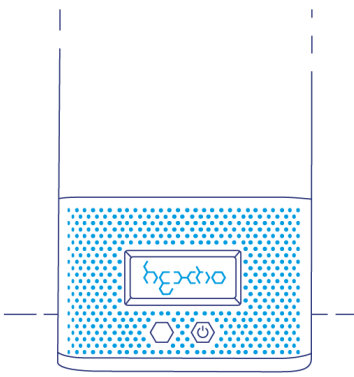
5. Insert the DC plug into the 12V DC input on the device:



6. Insert the AC adaptor into your wall socket:



7. Hextio will turn on in [Auto](#) mode:



6. Operation



Turn the device on or off

After [installation](#), turn Hextio on or off by pressing the power button (1) on the device or on the remote control. The Hextio light will illuminate, indicating that the device is on.

* If Hextio remains unused for a long period of time, remove the power cord, unplug the AC adaptor from the wall socket, and pack the device away in its box.

Auto and Manual modes

When powering on the device, Hextio will be in Auto mode. Switch between Auto and Manual modes by pressing the Manual button (5) on the remote control.

Auto mode

Auto mode is indicated by either a blue or gold backlight that slowly fades in and out.

In Auto mode, Hextio detects the quality of the air at its intake with a built-in volatile organic compound (VOC) sensor and automatically sets the fan speed:

- When high levels of VOCs are detected, the Hextio light will turn red. The fan speed will automatically increase for greater airflow and rapid filtration.

- When low levels of VOCs are detected, the Hextio light will return to blue or gold. The fan speed will decrease for quieter operation.

While in Auto mode, Hextio's fan speed cannot be changed.

Manual mode

Manual mode is indicated by a green Hextio light.

In Manual mode, Hextio's fan runs at a constant speed, as set by the user. The fan will not automatically adjust based on the built-in VOC sensor.

While in this mode, the fan speed can be adjusted using the remote control.

Adjust the fan speed

Hextio features seven fan speeds. In Auto mode, Hextio's fan speed is chosen automatically and cannot be changed.

To adjust the fan speed, first ensure Hextio is in Manual mode. Increase the fan speed by pressing the '+' button (2) on the remote control and decrease the fan speed by pressing the '-' button (3).

Deactivate the lights

Press the LED button (4) on the remote control once to turn off the Hextio light and twice to turn off the backlight. Pressing the LED button a third time will enable both lights again.

Activate sleep mode

Enable Sleep mode by pressing the Sleep button (6) on the remote control.

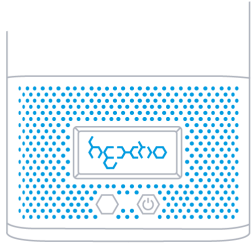
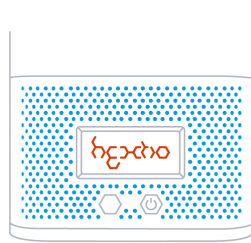
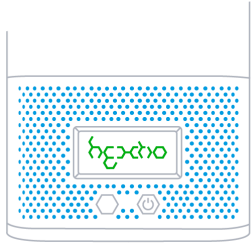
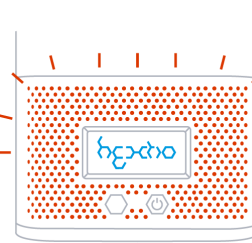
While in Sleep mode, Hextio's fan will run at its lowest speed for quiet nighttime operation. In addition, both the backlight and Hextio light will turn off.

To disable Sleep mode, press the Manual button (5) on the remote control again.

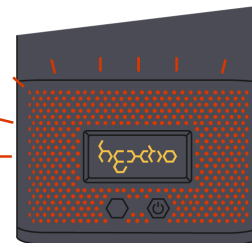
Hextio lights

The Hextio light and backlight change color to indicate certain modes of operation.

White Hextio:

Blue Hextio light and blue backlight (slowly fading)	Red Hextio light and blue backlight (slowly fading)	Green Hextio light and blue backlight (slowly fading)	Red backlight (quickly flashing)
			
<p>Hextio is in Auto mode</p>	<p>Hextio is in Auto mode. Higher levels of VOCs detected</p>	<p>Hextio is in Manual mode</p>	<p>Reactor Chamber replacement warning (see Maintenance)</p>

Black Hextio:

Gold Hextio light and gold backlight (slowly fading)	Red Hextio light and gold backlight (slowly fading)	Green Hextio light and gold backlight (slowly fading)	Red backlight (flashing quickly)
			
<p>Hextio is in Auto mode</p>	<p>Hextio is in Auto mode. Higher levels of VOCs detected</p>	<p>Hextio is in Manual mode</p>	<p>Reactor Chamber replacement warning (see Maintenance)</p>

7. Maintenance

! Always wear personal protective equipment (PPE) such as a disposable face mask and gloves when replacing the filter(s) on your device.

! Before handling the device to perform maintenance, lightly mist the body with an 85% alcohol-based (or equivalent) sanitizer.

Maintenance of your Hextio and replacement of consumables is essential to ensure the longevity of the device.

Ensure the device is switched off and unplugged before conducting any maintenance.

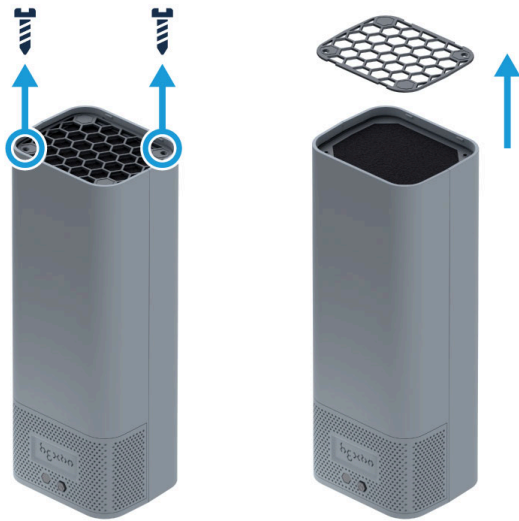
7.1. Replacing the Filter

Hextio features a hybrid particulate matter and carbon filter, which is located at the top of the device. This filter should be replaced after six months (approximately 4,000 hours) of use, depending on the environment in which the device is used. Replacement filters are available for purchase through your local Radic8 distributor.

1. Turn off the power at the wall socket and remove the DC plug from Hextio.
2. Remove the airflow guide from the top of the device. To remove the airflow guide, gently pull up from the back of the guide — do not lift from the front:



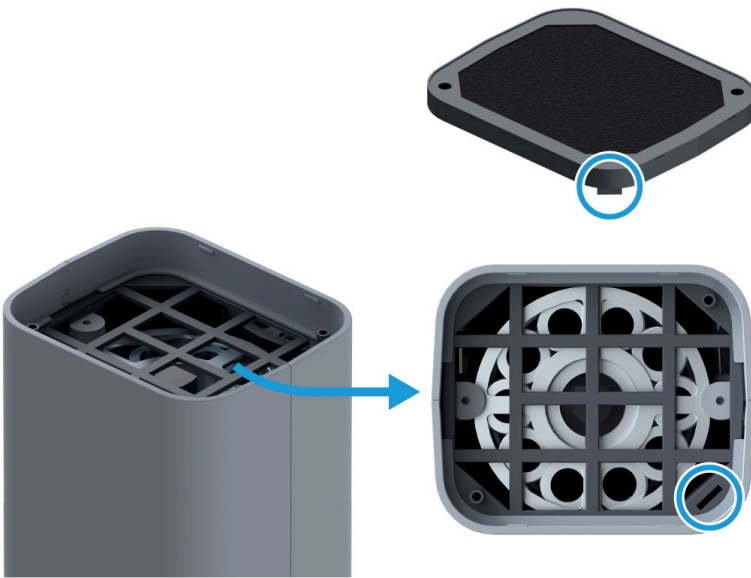
3. Using a Phillips (cross-head) screwdriver, unscrew the two filter grid screws. Remove the top filter grid:



4. Lift out the old hybrid filter and safely dispose of it:



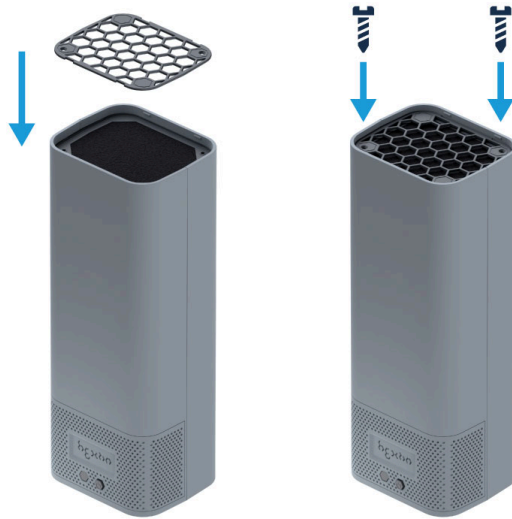
5. Align the new hybrid filter. Ensure the registration tab in the corner of the hybrid filter lines up with the slot in the bottom filter grid:



6. Insert the new hybrid filter:



7. Replace the top filter grid and secure with both filter grid screws:



8. Carefully replace the airflow guide. Press down firmly until it clicks into place:



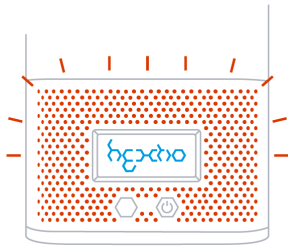
9. Insert the DC plug and switch on power at the wall socket.

Disposing of the Filter

After the old filter has been removed, we recommend lightly misting the used filter material with an 85% alcohol-based sanitizer.

The old filter should be placed in a plastic bag, tied or sealed, and disposed of in accordance with local regulations.

7.2. Replacing the Reactor Chamber



After 8,000 hours, the backlight will flash red quickly, signalling that the internal Reactor Chamber must be replaced.

! The Reactor Chamber must be replaced after 8,000 hours of use by a Radic8-approved technician only.

Please contact your local Radic8 distributor or a Radic8-approved technician to have the Reactor Chamber replaced. Radic8 will provide the necessary servicing information and guidance as requested by the approved technician.

Disposal of Reactor Chamber

The Reactor Chamber should be safely disposed of in accordance with local regulations. For additional details, contact your local Radic8 distributor or Radic8-approved technician.

7.3. Cleaning the Device

Turn off the power at the wall socket and remove the DC plug from Hextio.

Every week, or when the device is dirty, use a damp dust cloth to wipe down the body of the device to remove excess dust. If using a cleaning product, spray the product directly onto the cloth before wiping the device. Radic8 recommends using an 85% alcohol-based sanitizer for cleaning the body of the device.

! The internals of the device must not be exposed to excess moisture. Ensure the device is completely dry before being powered back on.

7.4. Troubleshooting

Please check the following troubleshooting instructions and contact your local Radic8 distributor or Radic8-approved technician if the issue is not resolved.


Problem	Solution
The device will not switch on	<ul style="list-style-type: none"> • Ensure the AC and DC plugs are securely inserted into the relevant input or socket. • Ensure the switch at the wall socket is turned on.
Minimal airflow	<ul style="list-style-type: none"> • The hybrid filter may be clogged and need replacing. • Ensure the device's airflow intake or outlet are not obstructed. • While in Manual mode, consider increasing the fan speed.
Unusual odor emitted from device	<ul style="list-style-type: none"> • The carbon layer of the hybrid filter may be saturated. Consider replacing the hybrid filter.
Red flashing light	<ul style="list-style-type: none"> • The Reactor Chamber is due to be replaced by a Radic8-approved technician. Please contact your local Radic8 distributor for support.
The device is very loud	<ul style="list-style-type: none"> • Ensure the device's airflow intake or outlet are not obstructed. • While in Manual mode, consider decreasing the fan speed or switch to Auto mode. *The hybrid filter may require replacement. • Ensure the device is not placed too close to a wall or in a corner where noise may be amplified.

8. Specifications

 Specifications and design of Hextio are subject to change without notice.

Technical Specifications

Firmware Version: v4.3

Model:	Hextio
Description:	Air Purifier
Voltage:	 12V
Current:	2A
Typical Power:	11W *
Weight:	1.33kg (2.93lbs)
Dimensions (mm):	330 (H) x 126 (W) x 106 (D)
Dimensions (in):	13 (H) x 4.96 (W) x 4.17 (D)
Temperature:	10–45°C (50–113°F)
Relative Humidity:	30–80% (non-condensing)
Pressure:	80–106kPa

Operating Specifications

Coverage:	Personal
Airflow (CFM):	3–15
Noise (dBA):	24–42 **
Reactor Chamber lifespan:	8,000 Hours
Hybrid filter lifespan:	6 months (approx. 4,000 hours) ***
Warranty:	1-Year Manufacturer Warranty
Installation:	Freestanding on a desk, counter, or table

** Measured at highest fan speed.*

*** Sound pressure level calculated from sound power level as tested against ISO 3744.*

**** Dependent on operating environment.*

9. Support

For hardware support, please contact your local Radic8 distributor or a Radic8-approved technician.



Radic8 PTE Ltd
9 Raffles Place
27 – 00 Republic Plaza
Singapore, 048619
info@radic8.com



The model and serial number can be found on the label on the device.