



Photos illustrating products are non contractual.

**REGISTER
YOUR WARRANTY
ONLINE AT
www.sanuvoy.com**

ASEPT.1X MAX

24/7 AUTOMATED PROTECTION UNIT AGAINST PATHOGENS Medical Model

⚠

IMPORTANT SAFETY INSTRUCTIONS

⚠

READ AND SAVE THESE SAFETY INSTRUCTIONS BEFORE USING THIS PRODUCT.

Read and follow all instructions contained in this manual before using the product. Failure to comply with these instructions may result in personal injuries or damage to the unit or system.

1. **Installation and servicing** of this equipment can be hazardous due to electrical components. **Only trained and qualified service personnel such as certified electricians** should install, repair or service equipment.
2. **Untrained personnel** can perform **basic maintenance** functions such as replacing UVC lamps. All other operations should be performed by trained service personnel such as certified electricians.
3. When working on the unit or system, observe precautions in the literature, tags and labels attached to the unit or system, and all other safety precautions considered as best practices in the industry.
4. When applicable, local regulation may comprise more restrictive installation and/or certification requirements. The afore mentioned requirements prevail on those of this document and the installer agrees to conform to these at his own expense.
5. Follow all the safety instructions outlined in this document and respect all local and national codes applicable.
6. **Never expose eyes or skin to ultraviolet light from any source. Never start the disinfection cycle with someone in the room.** Therefore, **before installing or performing maintenance** on the unit or system, **TURN OFF AND DISCONNECT** the unit or system **from all power sources** (there may be more than one switch to disconnect).
 ⚠ **CAUTION:** Electrical shock may cause personal injuries or possibly death.
7. UV rays may overtime damage or discolour certain types of polymer or plastic.
8. When installing or performing maintenance on the UV unit or system, it is recommended to **wear safety glasses and gloves**. In order to avoid reduced performance of lamp(s), **do not touch lamp glass without gloves**.
9. Just like conventional fluorescent lamps, UV lamps contain a small quantity of mercury: if a lamp breaks, clean and **dispose of with care**. UV lamps can be disposed/recycled after use in the same way as any other fluorescent lamps. Contact and follow your local and national authorities' specific instructions.
10. **Use only specified SANUVOX branded replacement UV lamps with your unit or system.** Use of any other lamps will void your warranty and can result in damage to the unit, system and/or lamp(s).
11. Most UV units or systems are not waterproof. **DO NOT INSTALL OUTDOORS OR IN WET LOCATION** unless specified otherwise.
12. **Do NOT hang onto the device.**
13. **Risk of falling:** the disinfection cassette may fall when the rear lock is disengaged. Always make sure it is in place.
14. **Risk of rapid opening of the protective envelope door** when hung on the ceiling and wall.
15. **Risk of back pain when installing the machine.** Working at height with heavy equipment can cause back injury. Make sure you work in the most ergonomic position possible.
16. **Risk of falling during installation.** Beware of the risk of falling when working on a stepladder during installation or maintenance.

SAVE THESE INSTRUCTIONS

Installation Date: _____ **Installed by:** _____

Installer Contact Info.: _____

TABLE OF CONTENTS

△ IMPORTANT SAFETY INSTRUCTIONS △	1
TABLE OF CONTENTS	2
ABOUT THE PRODUCT	3
COMPONENTS	3
How it Works	3
ACCESSORIES & KITS	3
USAGE SCENARIOS	4
Optimal Location	4
Inadequate Locations	5
SETUP & INSTALLATION	6
What you will need	6
What's included	6
Step by Step Magnetic Door Detector Set Installation	6
Step by Step Protective Envelope Installation	7
Option to Replace Spring & Support	7
Step by Step Spring Replacement	7
Step by Step Support Replacement	8
Step by Step Wall-Mounted Installation	9
Setup for Ceiling-Mounted Installation	11
Step by Step Ceiling-Mounted Installation	15
Step by Step Disinfection Cassette Installation	17
Step by Step UV Lamp Installation	18
Multiple Units Connected to Multiple Doors	19
OPERATION	20
How to Operate your Product	20
Step by Step Unit Activation	20
Step by Step Operating Test with Dosimeter	21
MAINTENANCE	21
How to Replace Lamp(s)	21
Step by Step Lamp Replacement	21
How to Replace Ballast	23
Step by Step Ballast Replacement	23
Step by Step Magnetic Door Detector Set Replacement	25
How to Clean your Product	26
STORAGE	26
ULTRAVIOLETS: UVC	26
RANGE OF ENVIRONMENTAL CONSIDERATIONS	26
ELECTRICAL RATINGS, POWER CONSUMPTION & AVAILABLE VOLTAGE	27
TROUBLESHOOTING	27
Problems & Solutions Table	27
A. Step by Step Test Procedure	28
Analysis of the Test Procedure Results	29
WARRANTY	30
CUSTOMER SERVICE	30

ABOUT THE PRODUCT

The ASEPT.1X Max is a surface disinfection unit operating with UVC. The ASEPT.1X Max unit pushes the limits of surface disinfection by automatically disinfecting patient bathrooms, which are a well-known reservoir of nosocomial diseases in hospitals.

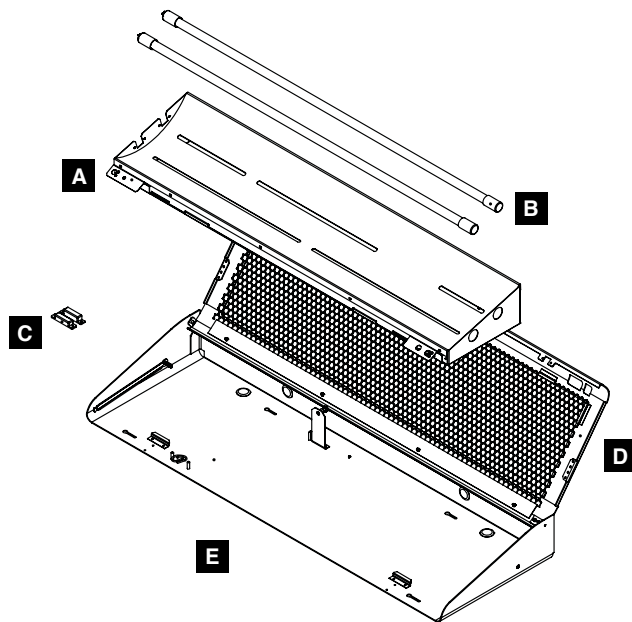
For information or recommendations on how to size your specific application, please call SANUVOX at 1-888-726-8869.

COMPONENTS

How it Works

Completely automated, the ASEPT.1X Max unit includes the following safety features: redundant passive infrared motion sensors (02 PIR) and magnetic door detector set. This allows the unit to only operate when no one is in the patient bathroom, for a minimum of 5-minute disinfection cycles after each use. Cycle time can be increased at the factory to account for larger room size. ASEPT.1X Max can disinfect up to 99.9999% of contaminants such as VRE, C.difficile, MRSA and Influenza A virus, by sterilizing the most commonly touched areas if adequate exposure time allows the delivery of sufficient UVC dose. Consult factory representative for adequate sizing. The ASEPT.1X Max can be installed on the ceiling or wall-mounted.

More details are available in the product specification sheet and in the ‘Medical’ section of our website: www.sanuvox.com

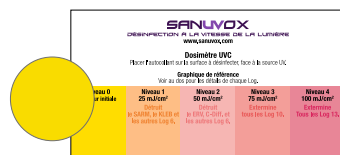


- A. Disinfection cassette with redundant passive infrared motion sensors (02 PIR)
- B. UV lamps
- C. Magnetic door detector set
- D. Cover
- E. Protective envelope

ACCESSORIES & KITS

The following optional accessories and/or kits work great with your product (sold separately).

Dosimeters



Dosimeter stickers to test UV disinfection level on specific installations.

Stick the dosimeters to critical targeted surfaces to assess if adequate UV dose is delivered.

For instruction manuals or information about your optional accessories and/or kits, please call SANUVOX at 1-888-726-8869 or visit www.sanuvox.com.

USAGE SCENARIOS

Objective: To maximize the unit effectiveness with the adequate dose of UV, it is necessary to identify which surfaces are most likely to be contaminated. Place the unit so that it is closest to all of these surfaces. The closer a surface is to the lamp, the greater the UV dose for a given exposure time.

A minimum dose of $50\text{mJ}/\text{cm}^2$, is recommended to disinfect a hard surface of the majority of microorganisms such as MRSA, Clostridium sordellii, VRE, C-Difficile spores, Enterococcus faecalis and Norovirus. Surfaces must be directly exposed to UV light to be disinfected.

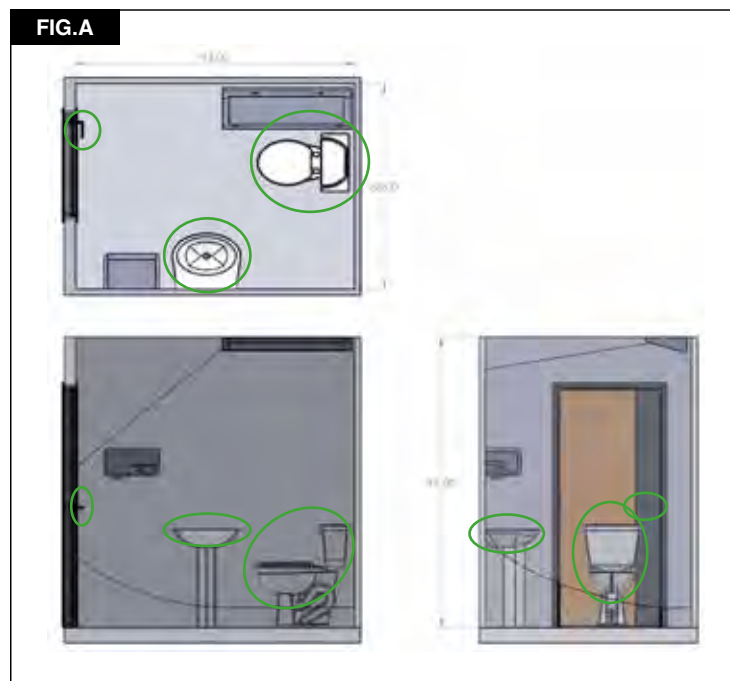
In order to **optimize the location** of the ASEPT.1X Max, identify **key surfaces to be disinfected**.

For example, in a bathroom, the 3 most important key surfaces that must be in the disinfection area are:

- Toilet
- Sink
- Door handle

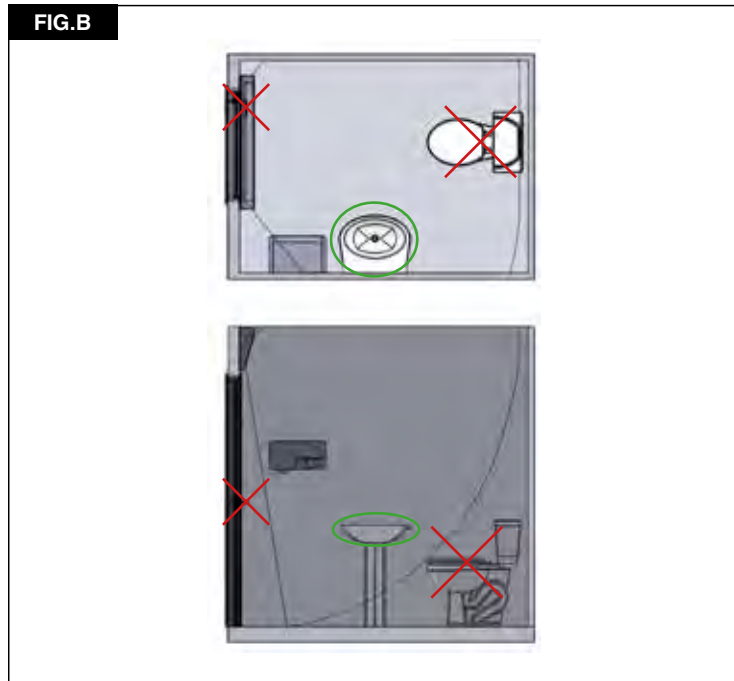
The following figures illustrate optimal and inadequate locations for the installation of the unit, with the areas where the minimum level of UV irradiation is present.

Optimal Location

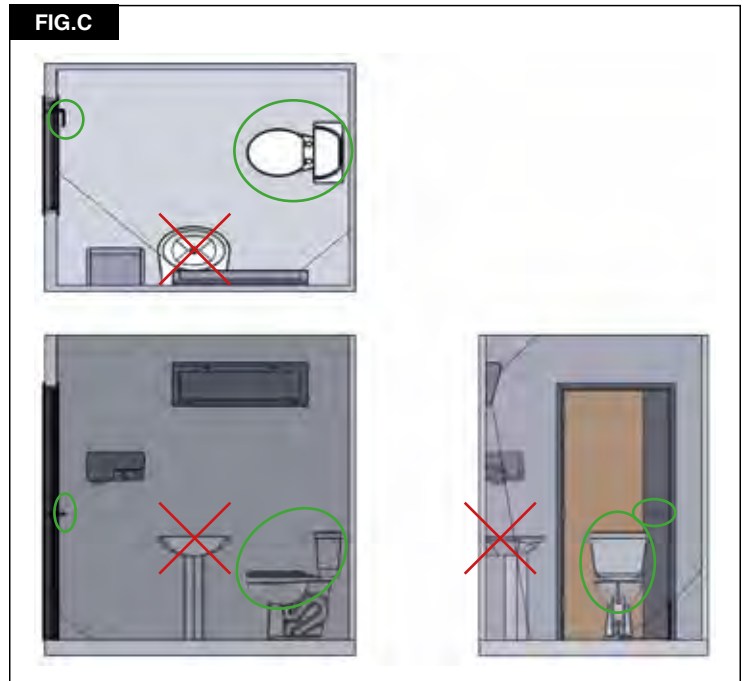


The disinfection area covers the toilet, sink and door handle.

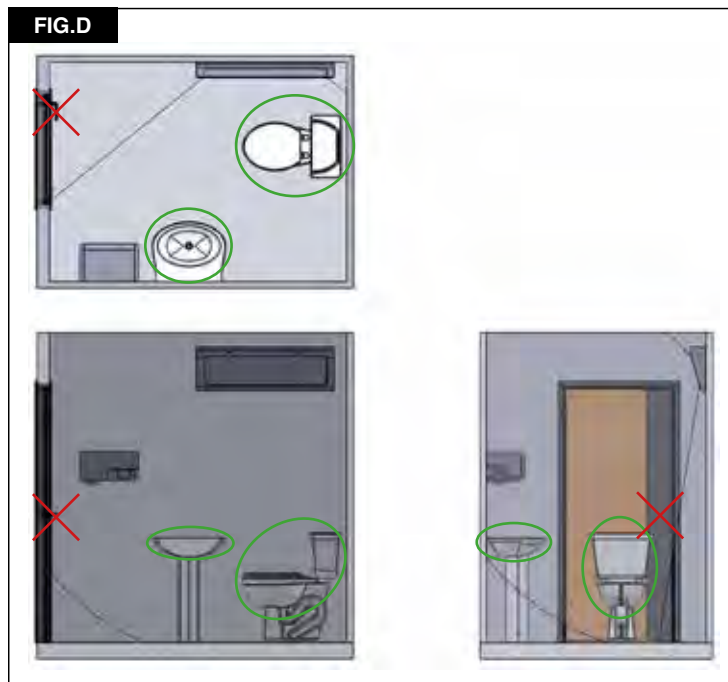
Inadequate Locations



The door handle and toilet are not in the disinfection area.



The sink is not completely in the disinfection area.



The door handle is not in the disinfection area.

SETUP & INSTALLATION

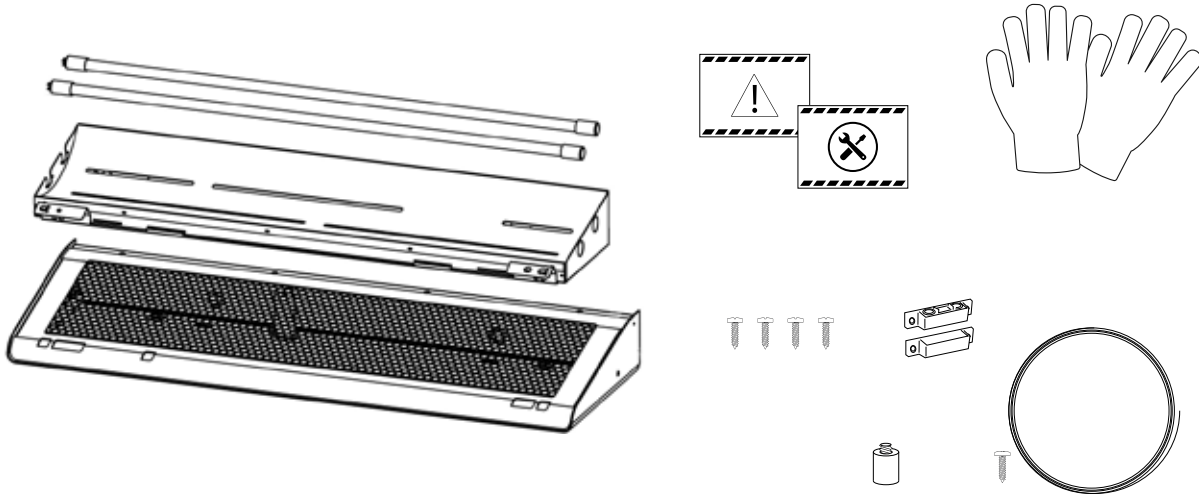
What you will need

A utility knife to unpack all components, a drill with drill bits, a level, a measuring tape, a marker, a stepladder.

⚠ CAUTION: Handle your product with care to avoid breaking parts. Make sure you have a free and safe space to unpack, install and setup your product. Confirm you have access to the necessary power source for the product requirements (see unit or system label). If you have any questions regarding the installation instructions, call SANUVOX at 1-888-726-8869.

What's included

The ASEPT.1X Max (disinfection cassette, cover and protective envelope), (2) UV lamps and a basic installation kit.



The installation kit includes: a UV caution decal, a maintenance decal, a pair of cotton gloves, (1) magnetic door detector set with its (4) screws, a standoff and a spring with its screw.

Step by Step Magnetic Door Detector Set Installation



1. Install the magnetic housing on the top of the door frame (side of the door handle), as close as possible to the door (bottom of the frame).



2. Install the other magnetic housing on the door just below the magnetic housing installed on the frame.

NOTE: The two housings should be centered one above the other.



3. Connect the wires to the protective envelope by passing the detector wires through the same hole as the power supply.

Connect the black wire with the yellow one, and the red wire with the other red one.

Step by Step Protective Envelope Installation



1. Take the protective envelope out of the box. Be sure to pull the unit by the back.

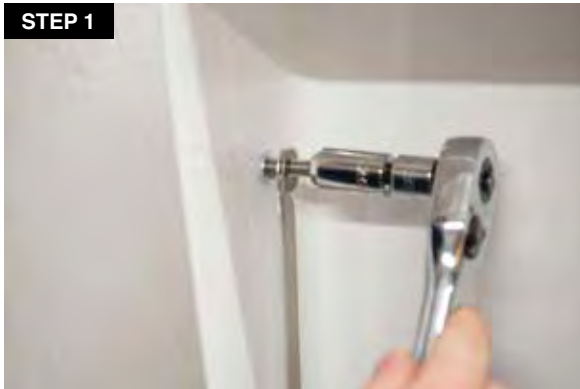


Two installation types are possible. Refer to the section corresponding to your choice: on the ceiling or wall-mounted.

Option to Replace Spring & Support

The ASEPT.1X Max comes with the option of using rigid springs or support to hold the cover of the protective envelope. Sanuvox recommends the use of two springs if the unit is hung from the ceiling, and a support if hung on the wall. These steps should be performed when installing the protective envelope on the wall or ceiling.

Step by Step Spring Replacement



1. Unscrew the bolt that holds the support and remove the support. Recommended nut socket size: 7/16



2. Screw the cylindrical standoff.



3. Screw the spring to the cover in one of the holes.
Recommended screw size: 8-32



4. Place the spring on the cylindrical standoff.

Step by Step Support Replacement



1. Remove the spring from the cylindrical standoff.



2. Unscrew the spring with the cover in one of the holes.



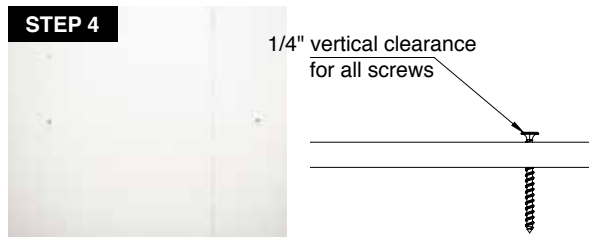
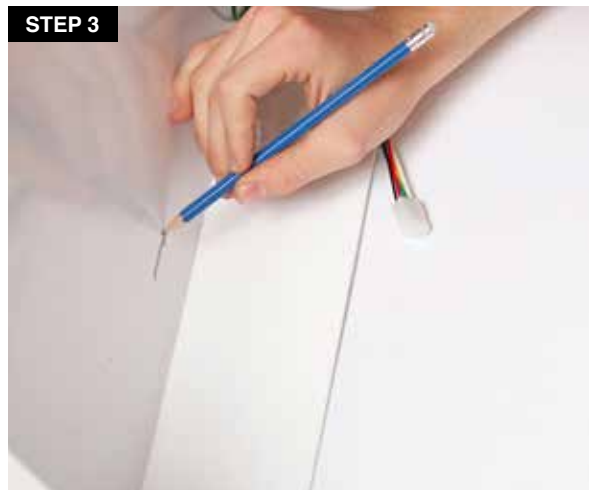
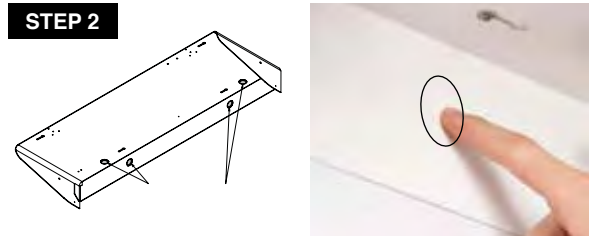
3. Unscrew the cylindrical standoff.



4. Install the support.

Helical Washer Support Washer Nut

Step by Step Wall-Mounted Installation



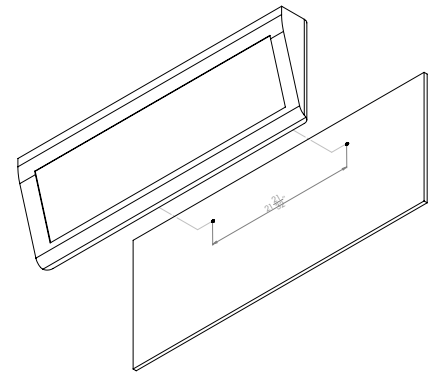
1. Cut the power supply of the room.

NOTE: Dedicated external breaker with a 10A minimum rating.

2. Remove ONE of the knockouts corresponding to where the electrical wires will pass.

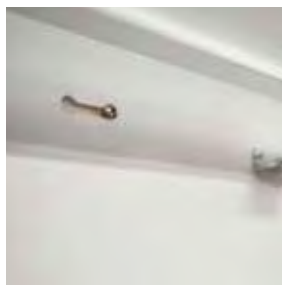
3. Mark the location of the screws.

NOTE: There should be 2 screw anchors on which the unit must be mounted. Anchors not included.



4. Tighten the two screws and leave a space of about 1/4" between the screw head and the wall.
Recommended screw size: 8-32

5. Hang the protective envelope: Align the screws with the holes.



6. Slide the protective envelope to the left until the screw heads reach the end of the slots.



7. Tighten the screws.



8. Connect the power wires via the removed knockout: Connect the door sensor wires.

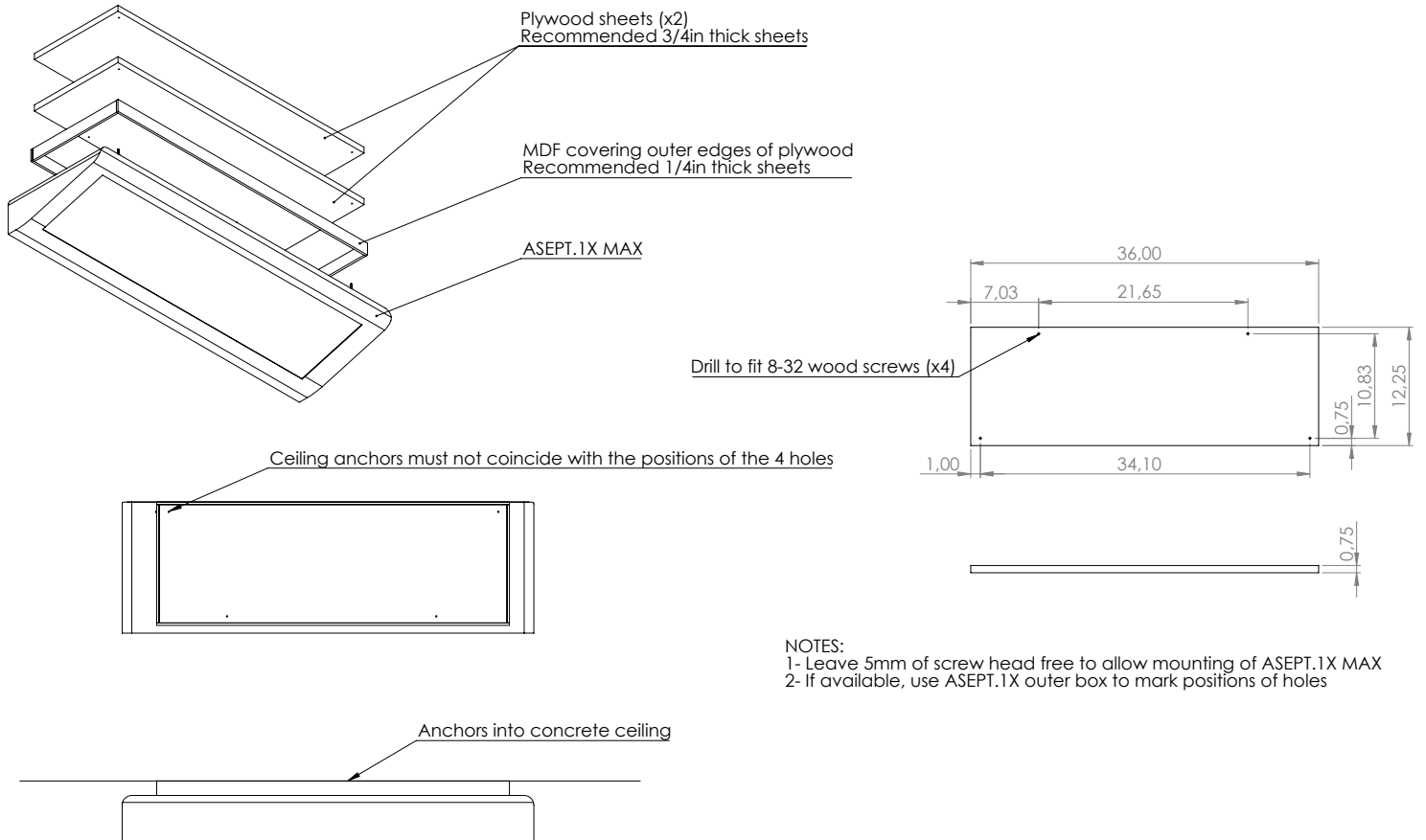


9. Then connect the power wires (black wire with hot wire, white wire with neutral, green wire with ground).

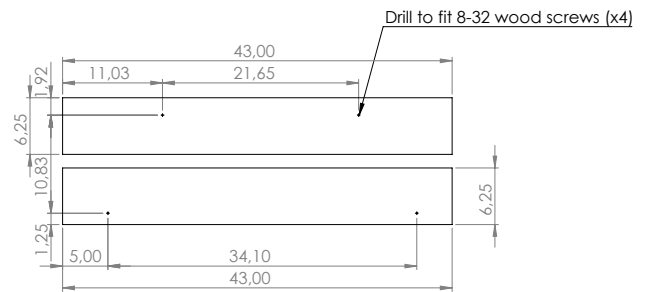
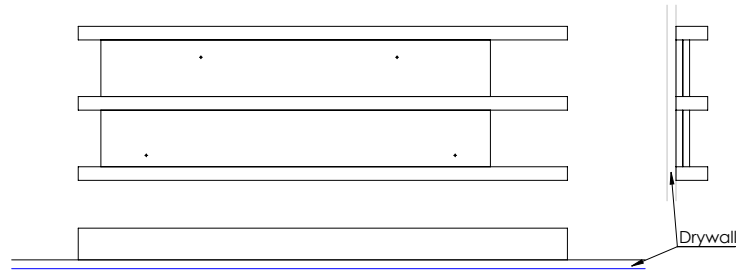
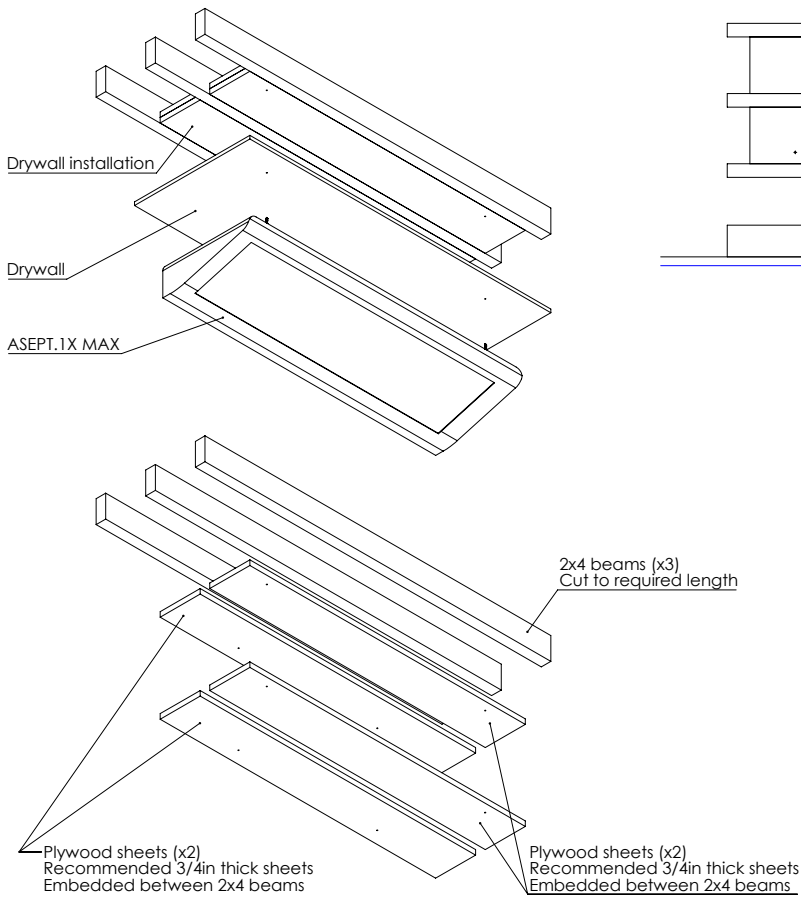
Setup for Ceiling-Mounted Installation

Before performing a ceiling installation, be sure to identify the type of ceiling, and thus obtain the necessary installation material.

Refer to these drawings if you are installing on a plywood sheets or MDF ceiling.

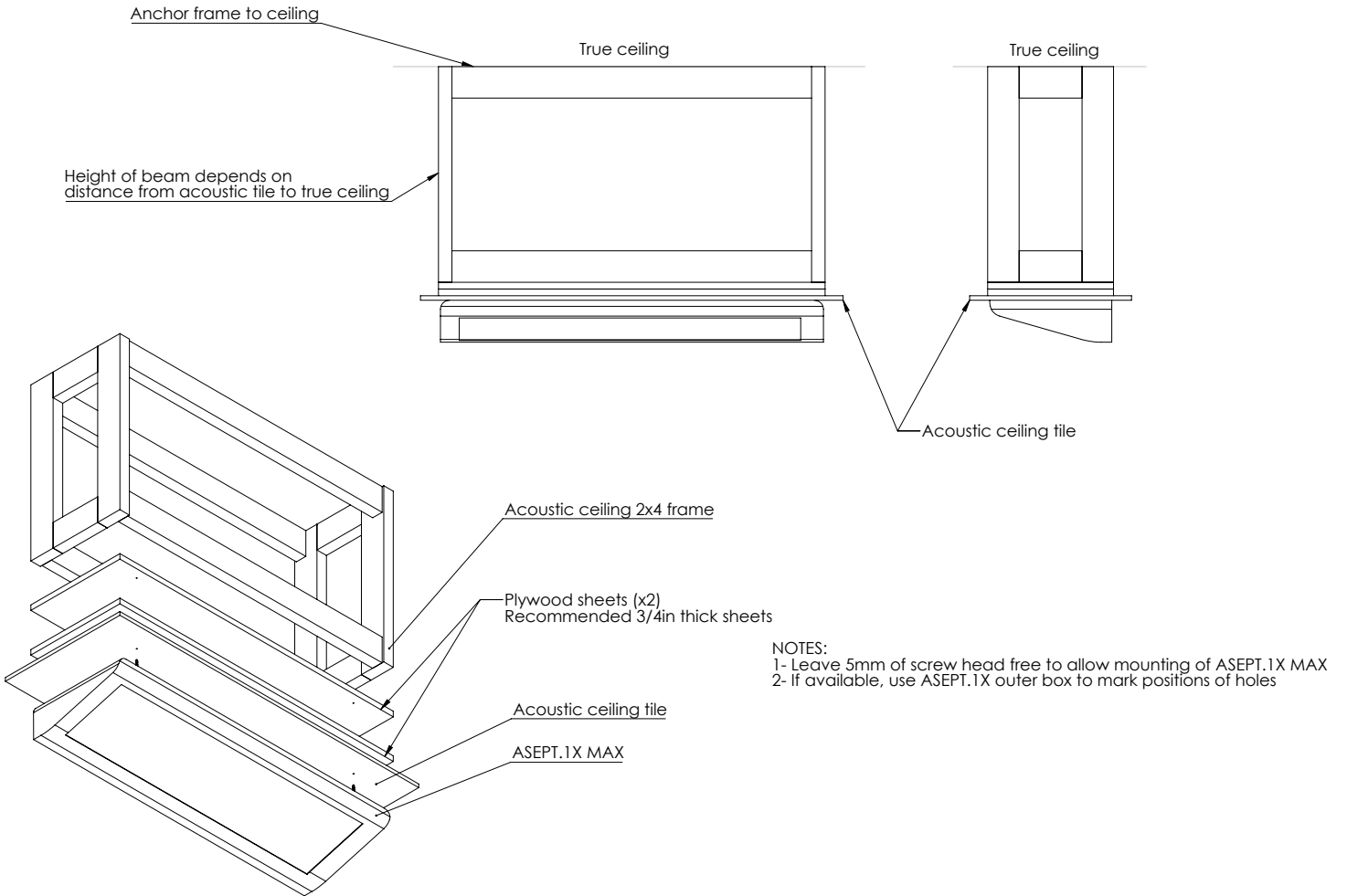


Refer to these drawings if you are installing on a drywall ceiling.

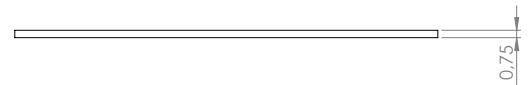
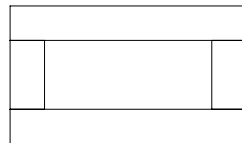
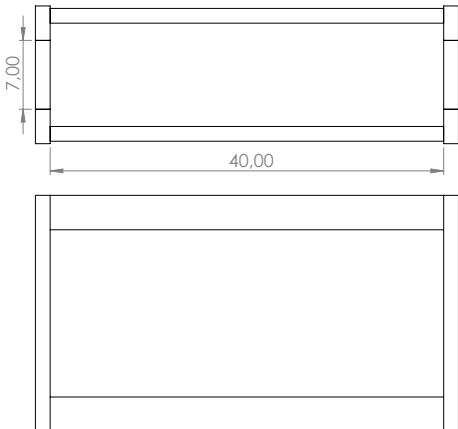
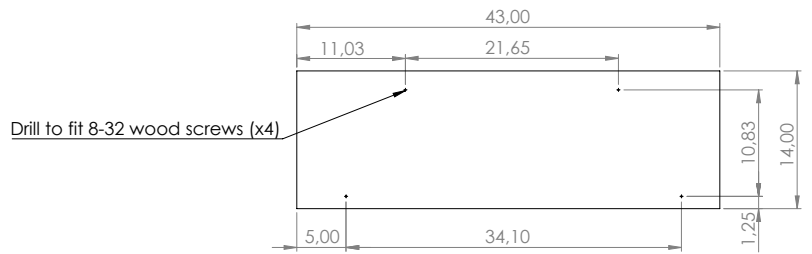
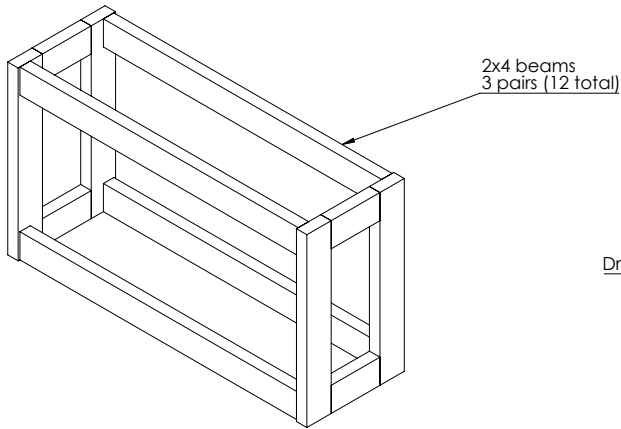


- NOTES:
- 1- Leave 5mm of screw head free to allow mounting of ASEPT.1X MAX
 - 2- If available, use ASEPT.1X outer box to mark positions of holes

Refer to these drawings if you are installing on a true ceiling or an acoustic ceiling.

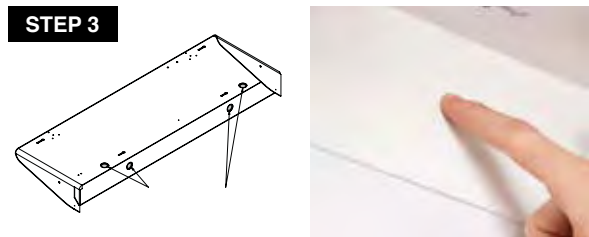
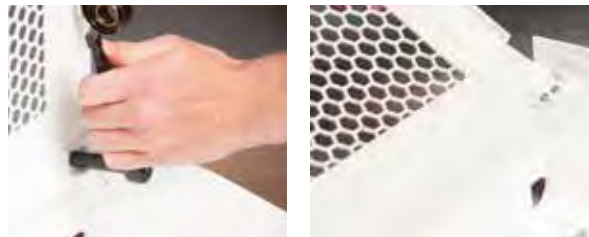
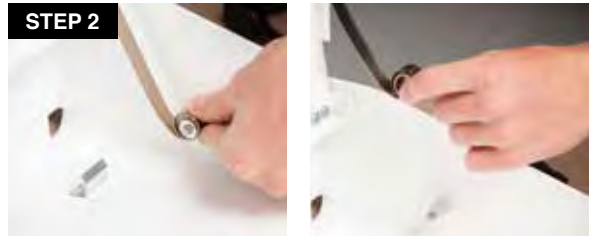


Refer to these drawings if you are installing on beams.



NOTES:
1- Leave 5mm of screw head free to allow mounting of ASEPT.1X MAX
2- If available, use ASEPT.1X outer box to mark positions of holes

Step by Step Ceiling-Mounted Installation



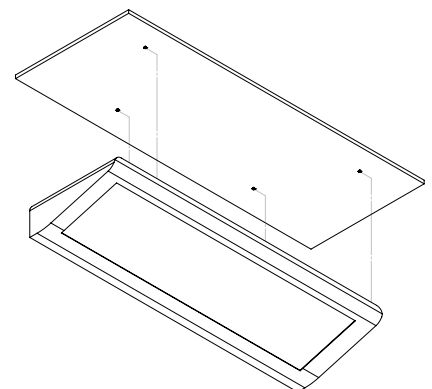
1. Cut the power supply of the room.

2. **Optional step: Remove the cover.**
First, remove the spring. Then, unscrew the white corner. And finally, remove the cover.

3. Remove ONE of the knockouts corresponding to where the electrical wires will pass.

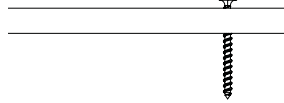
4. Mark the anchor holes on the ceiling in the desired location.

NOTE: There should be 4 screw anchors on which the unit must be mounted. Anchors not included.





1/4" vertical clearance for all screws



5. Tighten the four screws and leave a space of about 1/4" between the screw head and the plate.
Recommended screw size: 8-32



6. Hang the protective envelope: Align the screws with the holes.



Slide protective envelope to the right



7. Slide the protective envelope to the right until the screw heads reach the end of the slots.



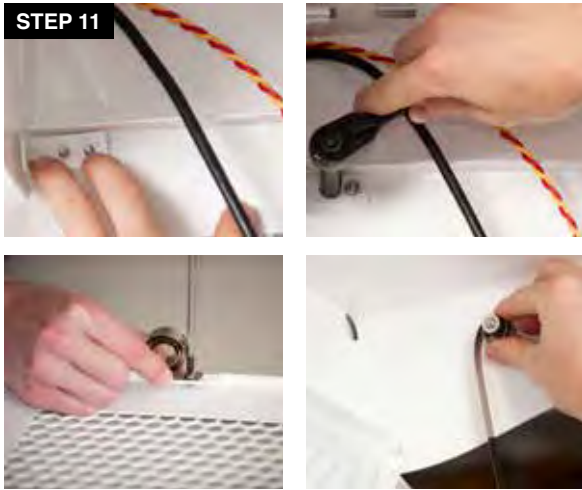
8. Tighten the screws to secure the unit to the ceiling.



9. Connect the power wires via the removed pad: Connect the door sensor wires.



10. Then connect the power wires (black wire with hot wire, white wire with neutral, green wire with ground).



11. **If you removed the cover, reinstall it.**
Reinsert the cover on the white plastic cylinders, then replace the white corner. Install another spring on the door (See “**Option to Replace Spring & Support**” section on page 7). And finally, put the springs back on the metal cylinders.

Step by Step Disinfection Cassette Installation



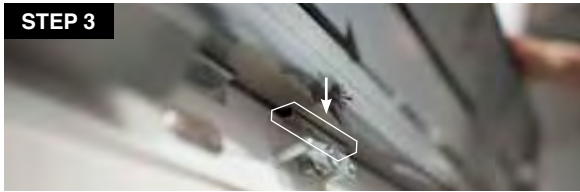
1. Take the disinfection cassette out of the packaging.

 ⚠ **CAUTION:** Do not pull on the triangle-shaped boxes, they contain the lamps and they are fragile. **DO NOT** remove the protective film from the reflective surface.



2. Open the lid.

NOTE: If installed on the wall, lock the cover open with the support provided inside.

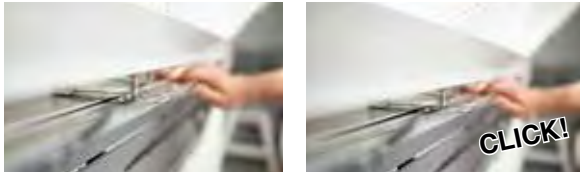


3. Place the disinfection cassette in the protective envelope. Insert the media into the slots on the disinfection cassette.



4. Push the disinfection cassette into the bottom of the protective envelope. Make sure that the rear lock is properly inserted in the rear support.

⚠ **CAUTION:** YOU MUST HEAR A “CLICK”.



5. Connect the white connectors together. Place them behind the disinfection cassette.



6. Remove the protective film from the reflective surface.

Step by Step UV Lamp Installation



1. Take the lamps out of the package. Check that the new lamps are in good condition.



2. Open the cover.

NOTE: If installed on the wall, lock the cover open with the support provided inside.



3. **Install the lamps to the connectors:** First insert the end of the lamp without the power supply end into the hole without the connector.



- Then, insert the power supply lamp tip into the connector. Push in all the way so that the metal end is no longer visible.

- Close the cover and lock it with a flat screwdriver.

Once installation is complete, **restore the power supply of the room.** Then, **activate and test your unit before use:** See “Unit Activation” on page 20.

Multiple Units Connected to Multiple Doors

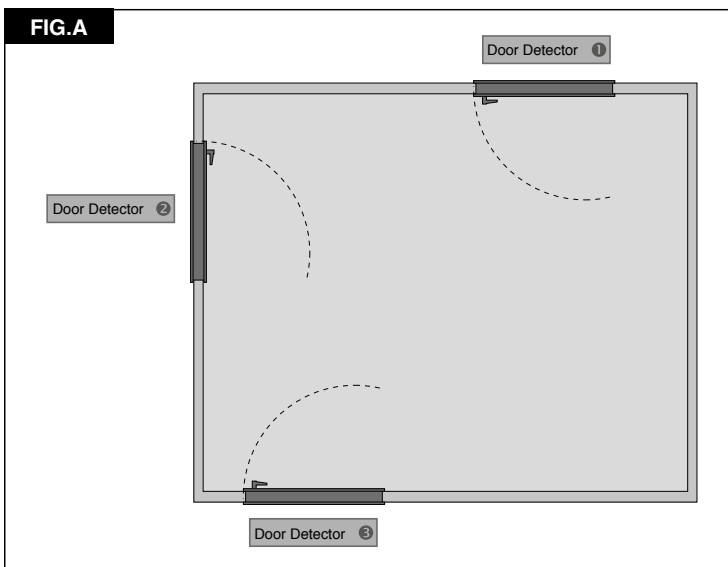
Installing multiple units can be a bit more complicated. Here are some guidelines to help you. However, **it is strongly recommended to contact Sanuvox customer service (see last page) for assistance and advice for your specific installation.**

IF A ROOM HAS MULTIPLE DOORS (FIG. A):

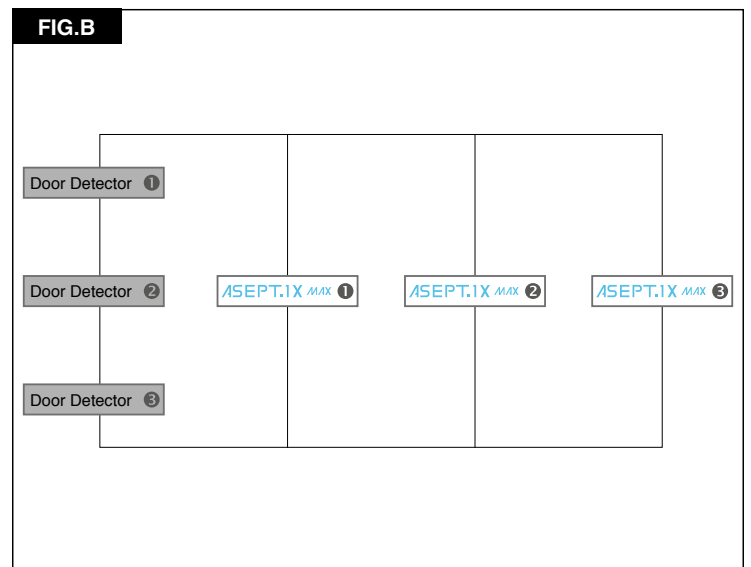
- Each door has its detector.
- All detectors are connected in series.

IF A ROOM HAS SEVERAL ASEPT.1X MAX (FIG. B):

- The door detectors are connected in series with each other.
- The door detectors are connected in parallel on the units to maintain the same 3.3V voltage.



A room with multiple doors (3).



Example: Connection diagram for door detectors (3) and units (3).

OPERATION

How to Operate your Product

Once installed, activate and test your unit before use. If tests are successful, the ASEPT.1X Max will automatically operate a disinfection cycle after each visit in the room.

⚠ **CAUTION:** The suggested operating temperature range is 10 to 50°C (50 to 122°F). Operating the ASEPT.1X Max outside this range will result in decreased performance.

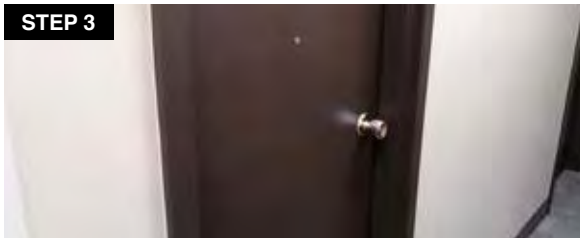
Step by Step Unit Activation



1. **Turn ON the ASEPT.1X Max** by pushing the power button on the unit and **confirm that there is proper voltage (120V or 230V)** at the orange connectors with the black wire.



2. Confirm that the door contact works well: door closed, circuit closed OR door open, circuit open.

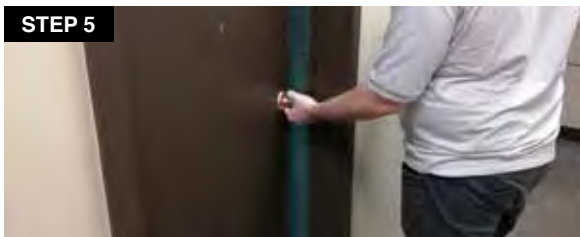


3. Leave the room and close the door.

⚠ **CAUTION:** Never try to start a disinfection cycle with someone in the room as the motion sensors (PIR) will prevent it.



4. Wait 2 ½ minutes. The lamps light up after 2 minutes.

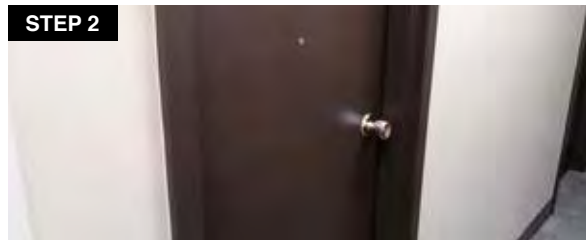


5. Open the door. You will notice a blue light shutting down indicating that the unit was on and automatically turned off when you entered the room, interrupting the disinfection cycle.

If the tests have been successful, you can now use your new ASEPT.1X MAX. Please read the safety instructions carefully before first use.

The new ASEPT.1X Max is now ready to operate automatically.

Step by Step Operating Test with Dosimeter



SANUVOX DESINFECTEUR À LUMIÈRE UVC POUR SALUBRITÉ www.sanuvox.com				
Dosimètre UVC				
Niveau de référence				
Voir la notice Sanuvox au chapitre Log.				
Niveau 0 Cocher visible	Niveau 1 02 minutes Exposition de 10h à 12h et de 14h à 16h	Niveau 2 04 minutes Exposition de 10h à 12h et de 14h à 16h	Niveau 3 08 minutes Exposition de 10h à 12h et de 14h à 16h	Niveau 4 100 minutes Exposition de 10h à 12h et de 14h à 16h

1. Place dosimeter stickers on the surfaces on which you want to check the UV dosage.

2. Leave the room and close the door.

⚠ CAUTION: Never try to start a disinfection cycle with someone in the room as the motion sensors (PIR) will prevent it.

3. Wait about 10 minutes until the disinfection cycle is complete before entering the room again (2 min. waiting time for the lights to turn on, and 5 min. disinfection cycle).

4. Enter the room and inspect the dosimeter stickers. To interpret their colours and corresponding UV dose, use the included reference label.

NOTE: The dosimeters are sold separately and directly to customers. It is their responsibility to verify their installation and validate the results with a Sanuvox representative.

MAINTENANCE

How to Replace Lamp(s)

Replacing lamps on the ASEPT.1X Max is quick and easy. Simply reach the unit with the proper equipment, such as a stepladder, turn off the power source, open unit cover, remove and dispose of old lamp(s), replace with new Sanuvox branded UV lamp(s), close unit cover and turn power source back on. See below for detailed step by step instructions.

⚠ CAUTION: In order to avoid reduced performance of lamp(s), do not touch lamp glass without gloves.

Step by Step Lamp Replacement

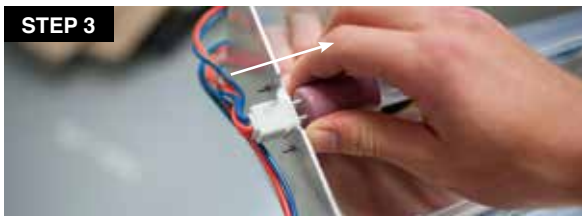


1. Turn OFF the ASEPT.1X Max by pushing the power button on the unit.



2. Open the lock with a screwdriver and open the cover.

NOTE: If installed on the wall, lock the cover open with the support provided inside.



3. Holding the end of the lamp, pull carefully to disconnect the lamp from its connector.

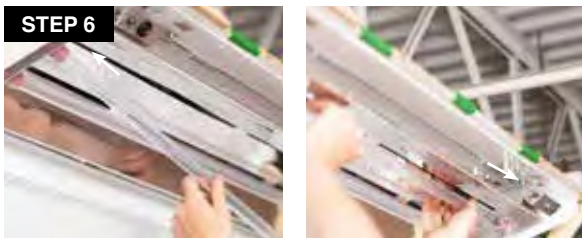


4. Remove the lamps (2) from the unit.



5. Check that the new lamps are in good condition.

NOTE: Fingerprints on the lamp will negatively impact the UV output of the lamp.



6. **Install the new lamps:** See “UV Lamps Installation” steps 3 and 4 on page 19.



7. **Turn ON the ASEPT.1X Max** by pushing its power button and **test the unit:** See “Operation” on page 20.

How to Replace Ballast

Replacing ballast on the ASEPT.1X Max is quick and easy. Simply reach the unit with the proper equipment, such as a stepladder, turn off the power source, open unit cover, remove and dispose of old ballast, replace with new, close unit cover and turn power source back on. See below for detailed step by step instructions.

Step by Step Ballast Replacement

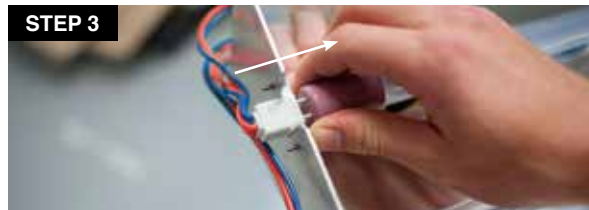


1. Turn OFF the ASEPT.1X Max by pushing the power button on the unit.



2. Open the lock with a screwdriver and open the cover.

NOTE: If installed on the wall, lock the cover open with the support provided inside.



3. Holding the end of the lamp, pull carefully to disconnect the lamp from its connector.



4. Remove the lamps (2) from the unit.



5. Disconnect the white connectors between the cassette and the protective envelope.

STEP 6



- Disengage the rear lock of the disinfection cassette and gently slide it out from its tabs.



STEP 7



- Unscrew the 3 screws at the back of the disinfection cassette and gently remove the reflector by sliding it out of the front tabs.

STEP 8



- Note the position of each wire, then disconnect all wiring from the ballast to be replaced. Use a thin flat screwdriver to assist in removing the wires from their sockets.

STEP 9



- Unscrew the old ballast and install the new one. Use an 11/32" or equivalent hex nut socket.

STEP 10



- Screw the new ballast in its position and connect all the wires.

STEP 11



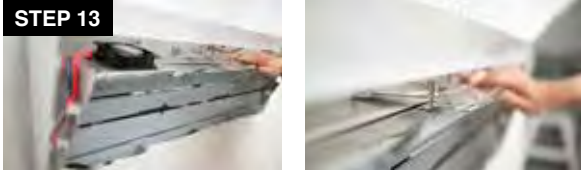
- Replace the reflector and screw it back.

STEP 12



12. Replace the disinfection cassette in the protective envelope. Insert the cassette into its slots.

STEP 13



13. Push the disinfection cassette into the bottom of the protective envelope. Make sure that the rear lock is properly inserted in the rear support.

⚠ CAUTION: YOU MUST HEAR A “CLICK”.



STEP 14



14. Reconnect the white connectors together. Replace them behind the disinfection cassette.

STEP 15



15. Reinstall the lamps properly and close the cover.

Step by Step Magnetic Door Detector Set Replacement

STEP 1



1. Turn OFF the ASEPT.1X Max by pushing the power button on the unit.

STEP 2



2. Open the lock with a screwdriver and open the cover.

NOTE: If installed on the wall, lock the cover open with the support provided inside.





3. Disconnect the red and yellow wires connected to the door sensor.

NOTE: It may be necessary to remove the disinfection cassette.



4. **Remove the detectors and replace them with new detectors:** See “Magnetic Door Detector Set Installation” on page 6.



5. **Turn ON the ASEPT.1X Max** by pushing its power button and **test the unit:** See “Operation” on page 20.

How to Clean your Product

For optimal performance, the lamp(s) should be kept free of dust and residue deposit. Clean when necessary with isopropyl alcohol. Always spot test the cleaner to make sure it does not damage the surface.

⚠ CAUTION: Under no circumstance should water be sprayed or splashed onto the product.

STORAGE

The ASEPT.1X Max works automatically, and therefore requires no specific storage.

ULTRAVIOLETS: UVC

The UVC (254 nm) light produced by Sanuvox UV units and systems is the same UV wavelength produced by the Sun. The UVC wavelength attacks the micro-organisms on a molecular level deactivating them by destroying their replication function. Microorganisms that cannot reproduce cannot infect a host. Unlike conventional UV lamps on the market, Sanuvox UV units and systems use a patented process designed to deliver the maximum UV dosage to surfaces.

⚠ CAUTION: Never expose eyes or skin to ultraviolet light from any source.

RANGE OF ENVIRONMENTAL CONSIDERATIONS

1) Indoor or outdoor use	Indoor
2) Altitude	< 2,000 m
3) Temperature	10 to 50°C (50 to 122°F)
4) Relative humidity	Non condensing 70%
5) Main supply voltage fluctuations	10%
6) Overvoltage category	II
7) Wet location	N/A
8) Pollution degree	N/A

ELECTRICAL RATINGS, POWER CONSUMPTION & AVAILABLE VOLTAGE

The product is rated at 120V or 240V, and 50 Hz or 60 Hz, 193W.
See product label to confirm power consumption of your specific unit or system.

NOTE: IF YOU EXPERIENCE A PROBLEM, PLEASE CONTACT CUSTOMER SERVICE FIRST OR SEE YOUR WARRANTY. DO NOT RETURN THE PRODUCT TO THE ORIGINAL PLACE OF PURCHASE. DO NOT ATTEMPT TO OPEN THE PRODUCT OR TAMPER WITH ITS COMPONENTS WITHOUT CONTACTING CUSTOMER SERVICE FIRST. DOING SO MAY VOID YOUR WARRANTY AND CAUSE PERSONAL INJURY OR DAMAGE TO THE PRODUCT.

TROUBLESHOOTING

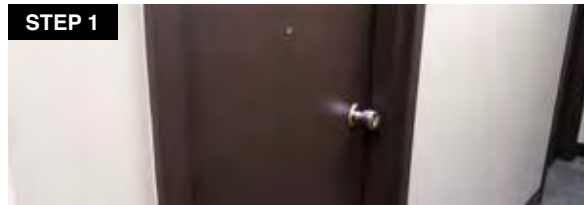
If your product is not working properly, refer to the following.

Problem	Possible Cause	Solution
The unit LED indicator is OFF	The power switch is OFF.	Power ON the unit using the toggle switch.
	The power outlet provides no current.	Check with a qualified electrician that the current provided is consistent with the rate for your unit.
	The switch connections are not secure.	Firmly secure each wire.
	On the electronic board, the # 1 fuse is burnt.	Replace fuse with appropriate part number.
	On the electronic board, the test point output does not provide 3.3V.	Change power supply: Contact Sanuvox to get one.
	On the electronic board, the # 2 fuse is burnt.	Replace fuse with appropriate part number.
On the electronic board, the motion sensors (PIR) LED (D4) is RED	The door is not properly closed.	Make sure that the door is properly closed (contact closed).
	PIR 1 and PIR 2 are damaged.	Change PIR 1 and 2.

NOTE: If both motion sensors (PIR) are functioning, the PIR LED on the electronic board will flash when the PIR detect a presence.

Contact your contractor for all your needs in terms of replacement parts: power cord, magnetic contact, detectors, ballast, UV lamp, etc.

A. Step by Step Test Procedure



1. Open the door, physically enter the room and close the door behind you.



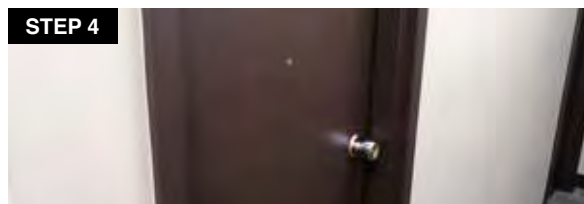
2. Move in front of the unit to **make sure the motion sensors (PIR) detect your presence.**

NOTE: If both PIRs are functioning, the PIR LED on the electronic board will flash when the PIRs detect a presence.



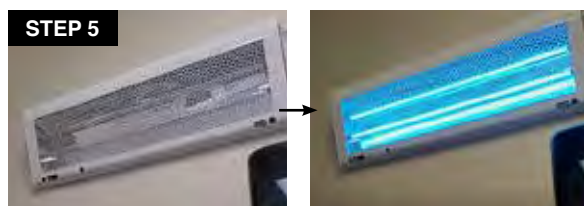
3. Place a recording device (For example, smartphone camera) inside the room, facing the ASEPT.1X MAX, and begin recording.

NOTE: A thermometer can be used in lieu of a recording device to measure the temperature on the surface of each lamp. An inactive lamp will remain around room temperature while an active lamp will be hot after use.



4. Leave the room and close the door.

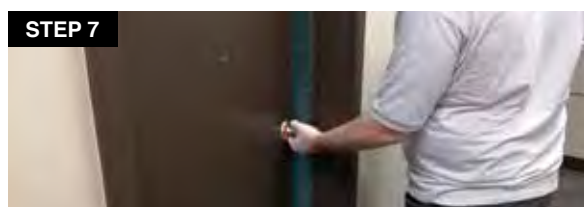
System is armed for test.



5. Wait 2 minutes for the lamps to light up automatically.



6. Wait around a minute while the lamps are active.



7. Open the door to switch off the lamps.

The recording and/or thermometer will show if both lamps were lit.

Analysis of the Test Procedure Results

If both lamps fail: replace both lamps and restart the arming procedure. If both lamps still fail, please contact Sanuvox for technical support.

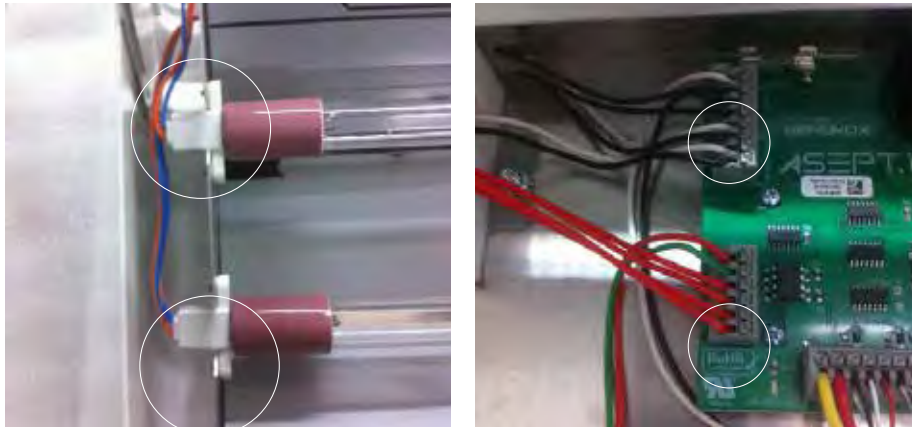
OR

If only one lamp lights up: Turn OFF unit, switch lamps, turn ON unit and restart the arming procedure. This will allow you to determine if the lamp is defective, or if the lamp location/connection is defective.

If the same lamp is not lighting up, this means the lamp is defective. Replace defective lamp and restart the arming procedure.

OR

If the same lamp location/connection is not lighting up, this means the lamp location/connection is defective. Turn OFF unit, make sure each wire is firmly secure (between lamps and ballast, and ballast and electronic board).



If each wire is secure, this means the ballast is defective. Replace ballast.

OR

If there is any wire issue, correct defective wiring. Turn ON unit and restart the arming procedure.

If the unit LED indicator is GREEN, the unit is operational. But if the unit LED indicator is not (OFF, RED or flashing GREEN and ORANGE), please see below.



SOLID GREEN
Everything works fine



SOLID AMBER
Unit is booting
(should then switch to GREEN)



SOLID RED
Unit failed while booting
(if it never went AMBER)

OR



AMBER flashing GREEN
Flashing AMBER (1 sec) and GREEN (1 sec):
Problem with lamp #1

OR

Problem with lamp #1 and #2 Flashing AMBER (3 sec) and GREEN (1 sec):
Problem with lamp #2



RED flashing GREEN
Flashing RED (1 sec) and GREEN (1 sec):
Problem with PIRs (one or both)



NO LIGHT
Unit is OFF

WARRANTY

You should first read all instructions before attempting to use this product. For this warranty to be valid, keep a copy of the proof of purchase.



UV lamp	1 year
Ballast	3 years
Electronics	1 year

- A. This limited warranty applies to repair or replacement of product found to be defective in material or workmanship. This warranty does not apply to damage resulting from abusive, unreasonable use or supplemental damage. Defects that are the result of normal wear and tear will not be considered manufacturing defects under this warranty.
SANUVOX IS NOT LIABLE FOR INCIDENTAL OR CONSEQUENTIAL DAMAGES OF ANY NATURE, ANY IMPLIED WARRANTY OF MERCHANTABILITY OR FITNESS FOR A PARTICULAR PURPOSE ON THIS PRODUCT IS LIMITED IN DURATION TO THE DURATION OF THIS WARRANTY.
 Some jurisdictions **do not** allow the exclusion or limitation of incidental or consequential damages or limitation on how long an implied warranty last, so the above limitations or exclusions may not apply to you. This warranty gives specific legal rights, and you also may have other rights which vary from jurisdiction to jurisdiction. This warranty applies only to the original purchaser of this product from the original date of purchase.
- B. At its option, SANUVOX will repair or replace this product if it is found to be defective in material or workmanship.
- C. This warranty does not cover damage resulting from any unauthorized attempts to repair or from any use not in accordance with the instruction manual.
- D. This warranty does not cover the filters, pre-filters or other accessories (if included), except for material or workmanship defects.

Call us toll-free at 1-888-726-8869 or email: info@sanuvox.com

Please be sure to specify product name.

NOTE: IF YOU EXPERIENCE A PROBLEM, PLEASE CONTACT CUSTOMER SERVICE FIRST OR SEE YOUR WARRANTY. DO NOT RETURN THE PRODUCT TO THE ORIGINAL PLACE OF PURCHASE. DO NOT ATTEMPT TO OPEN THE PRODUCT OR TAMPER WITH ITS COMPONENTS WITHOUT CONTACTING CUSTOMER SERVICE FIRST. DOING SO MAY VOID YOUR WARRANTY AND CAUSE PERSONAL INJURY OR DAMAGE TO THE PRODUCT.

CUSTOMER SERVICE

FOR ASSISTANCE WITH INSTALLATION AND/OR TROUBLESHOOTING

PLEASE CONTACT YOUR CONTRACTOR OR SANUVOX TECHNICAL SUPPORT

Toll-Free Phone #: 1-888-726-8869

Email: techsupport@sanuvox.com

Website: www.sanuvox.com

Please be sure to specify product name.

TO ORDER REPLACEMENT PARTS

PLEASE CONTACT YOUR CONTRACTOR OR SANUVOX PURCHASING DEPARTMENT

Toll-Free Phone #: 1-888-726-8869

Email: po@sanuvox.com

Website: www.sanuvox.com

Please be sure to specify product name.

Replacement parts for this product

LMPHGS400-8	40" Straight UV Lamp
BST120/277SHS	Ballast with multi-voltage input of 120V to 277V
MSCELC34	Redundant passive infrared motion sensors (02 PIR)
MSCSWC22	Magnetic door detection set

⚠ WARNING: Use only specified SANUVOX branded replacement UV lamps with your unit or system. Use of any other lamps will void your warranty and can result in damage to the unit, system and/or lamp(s).