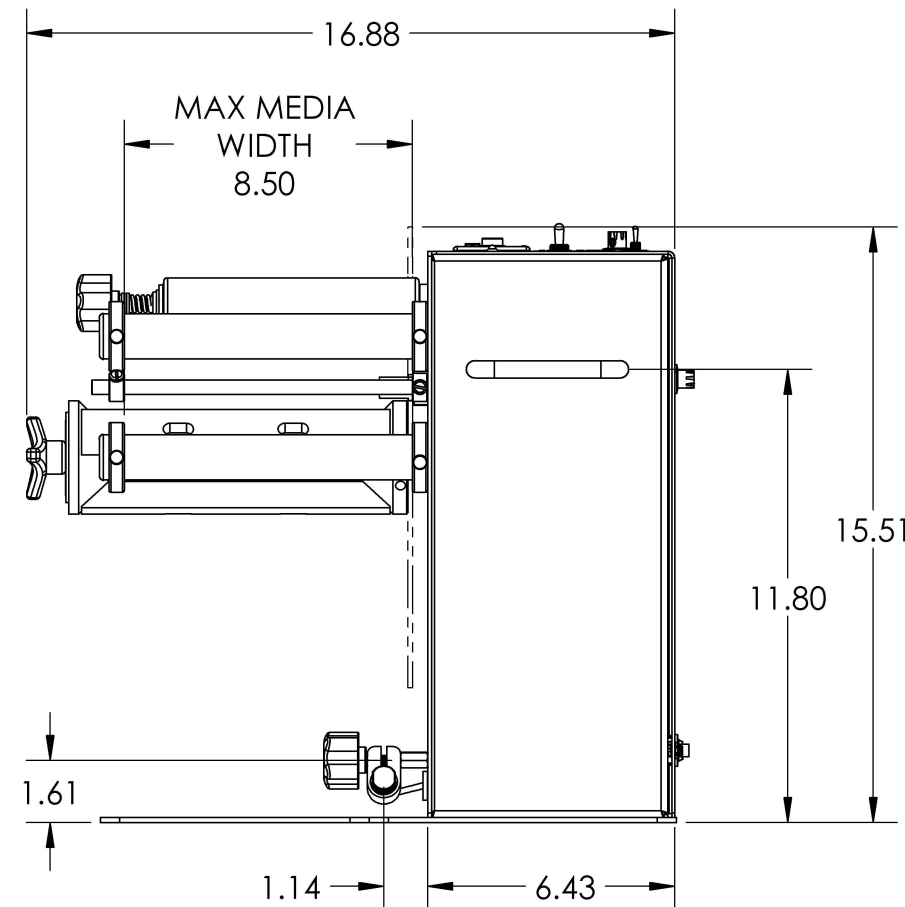
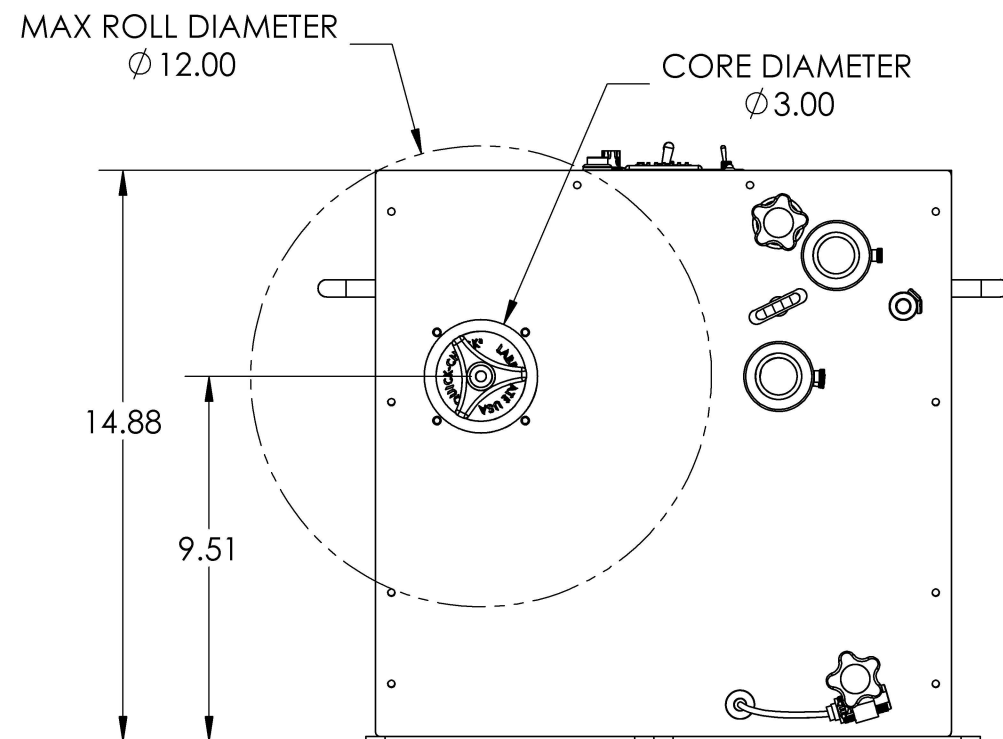
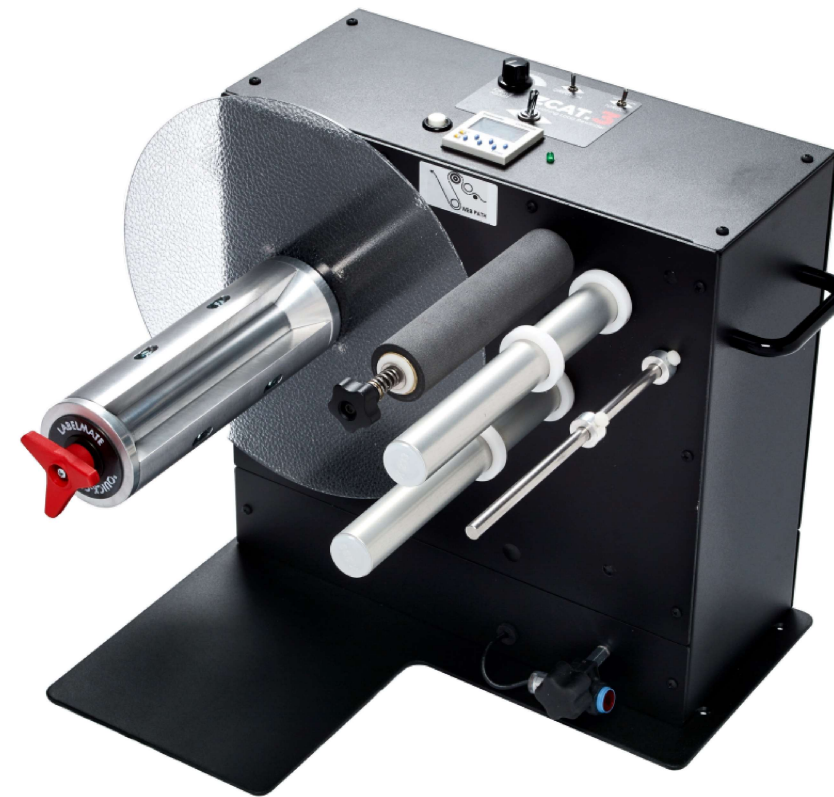
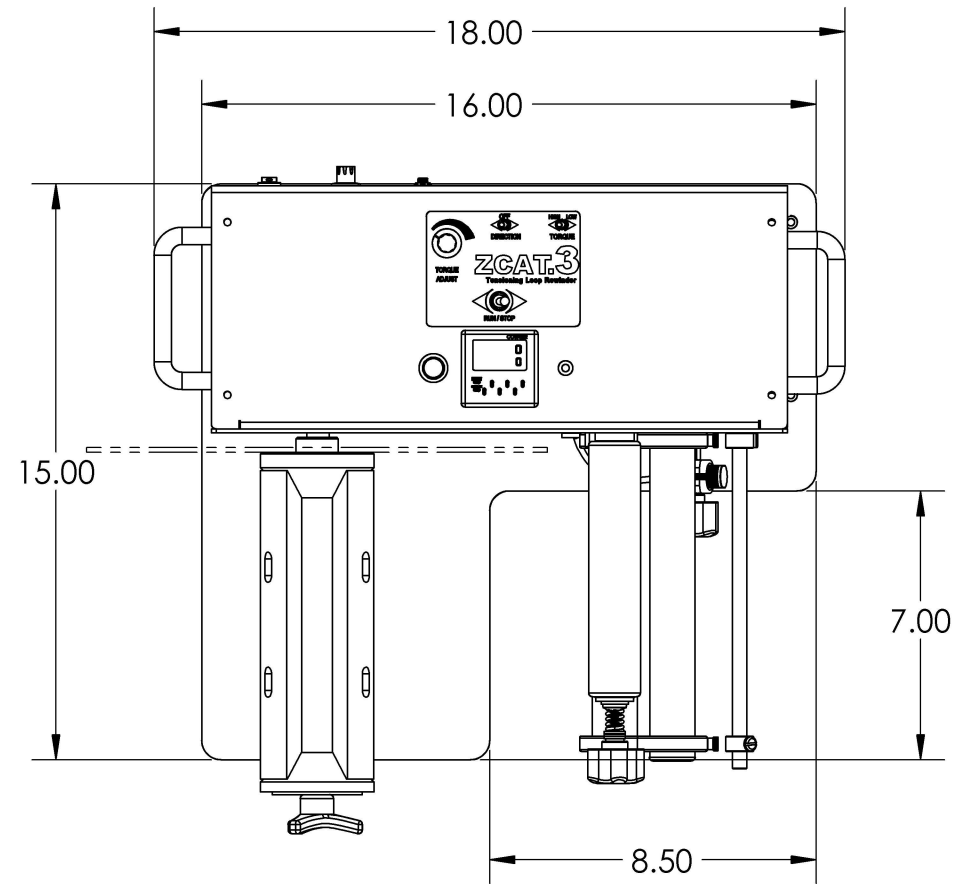


**NOTES:**

**Rewinder with Adjustable Tension Control. 8.5"x12".**

- Max. Roll Diameter: 12" (305mm)
- Max. Media Width: 8.5" (165mm)
- Core Diameter: 3" (76mm)
- Position: Left (L) or Right (R) Specified at Time of Order
- Core Holder: Mechanical Chuck
- Full 5-Year Parts and Labor Limited Warranty



ITEM ID:

**ZCAT - 8(L)**

DRAWN BY: TAH	DATE: 2/1/2023	PART NO. 80-203-0081
------------------	-------------------	-------------------------

POWER SUPPLY:	INPUT: 100-240VAC 1.4A
PART NO. PS-120	OUTPUT: 24VDC 5.0A