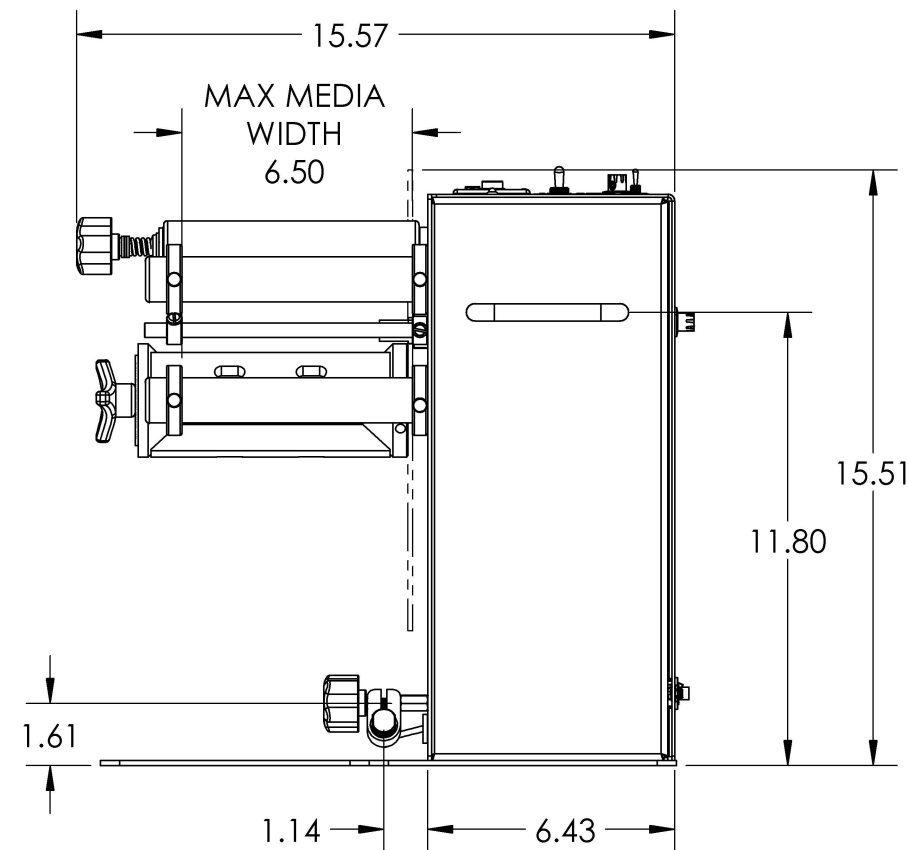
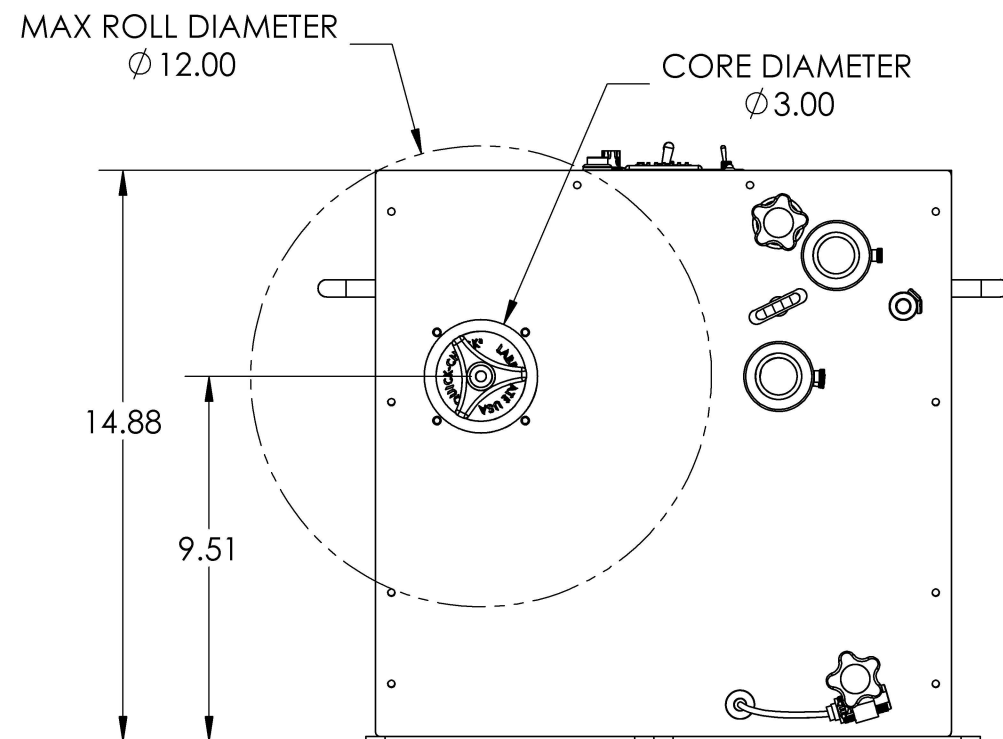
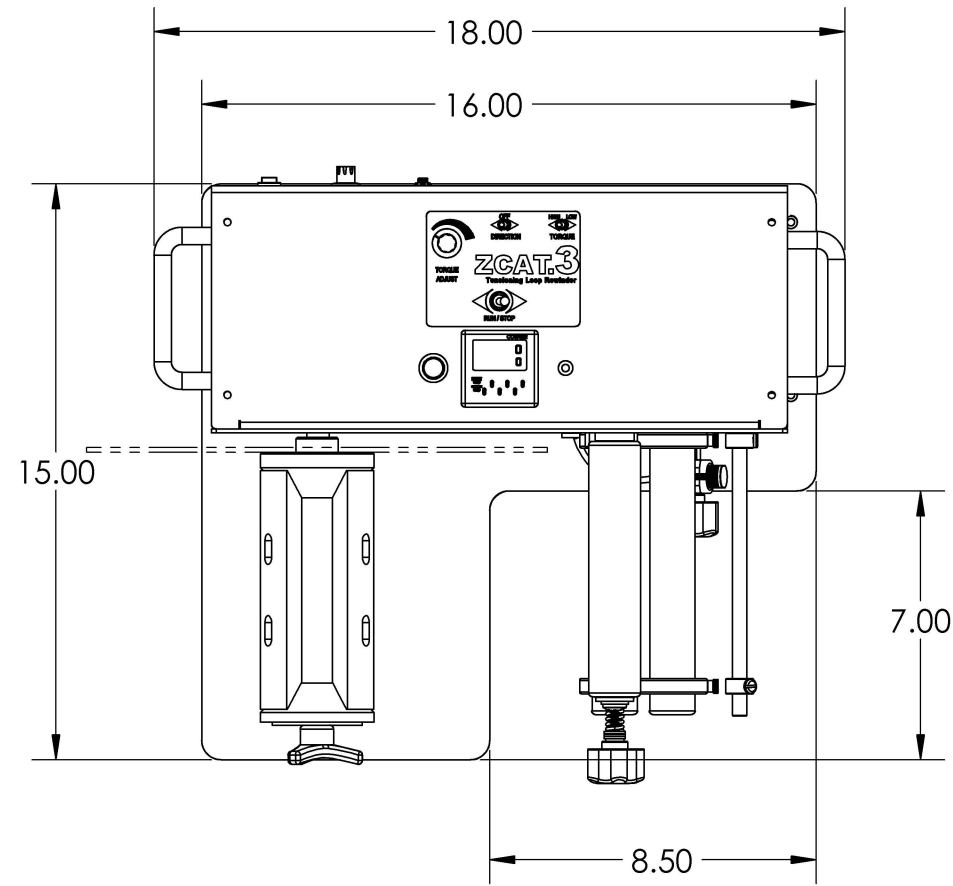


NOTES:

Rewinder with Adjustable Tension Control. 6.5"x12".

- Max. Roll Diameter: 12" (305mm)
- Max. Media Width: 6.5" (165mm)
- Core Diameter: 3" (76mm)
- Position: Left (L) or Right (R) Specified at Time of Order
- Core Holder: Mechanical Chuck
- Full 5-Year Parts and Labor Limited Warranty



ITEM ID:

ZCAT - 6(L)

DRAWN BY: TAH	DATE: 2/1/2023	PART NO. 80-203-0080
------------------	-------------------	-------------------------

POWER SUPPLY:	INPUT: 100-240VAC 1.4A
PART NO. PS-120	OUTPUT: 24VDC 5.0A