

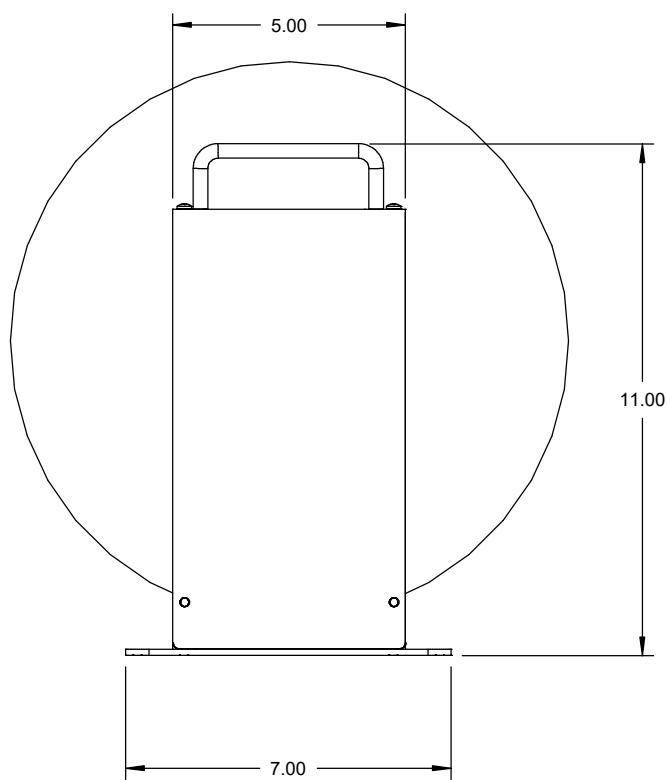
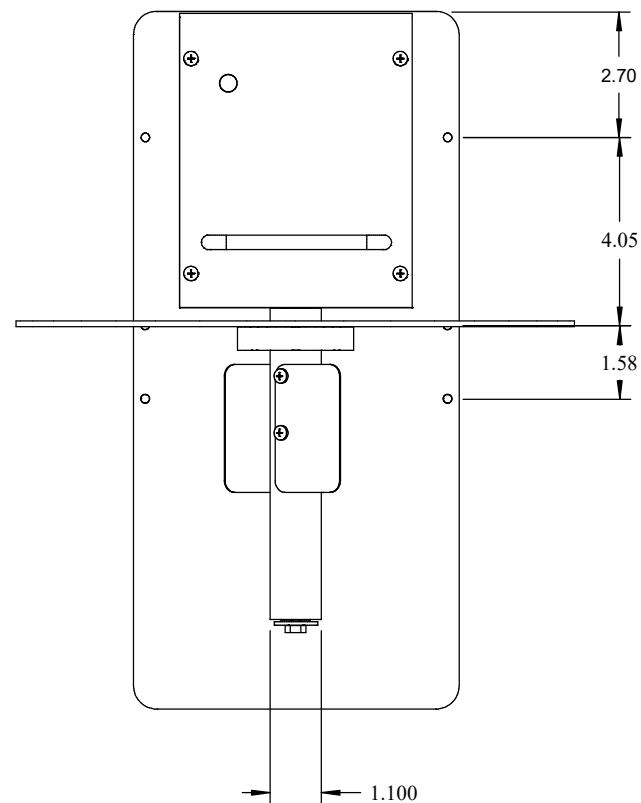
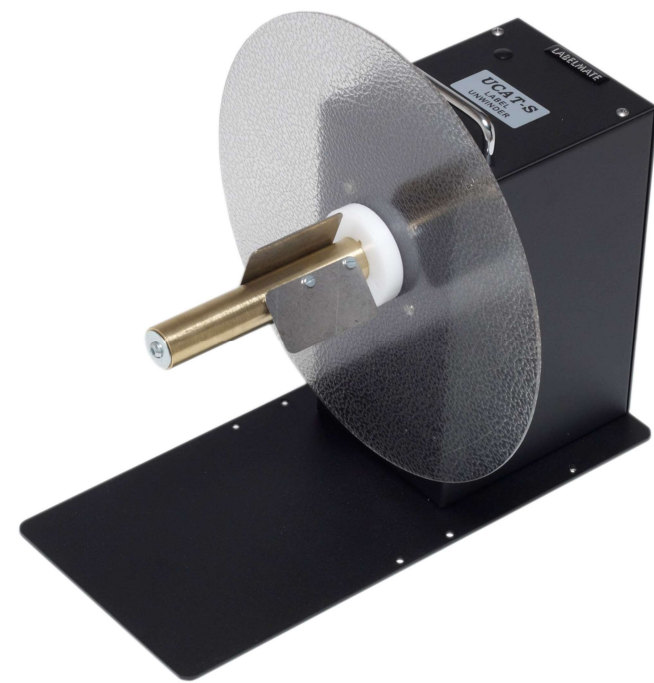
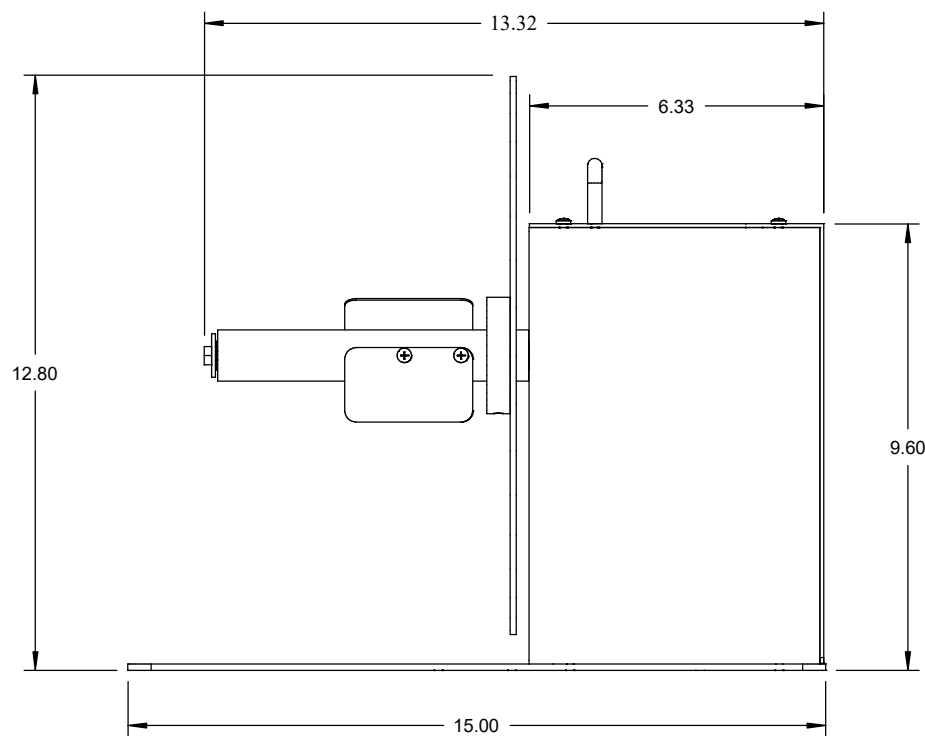
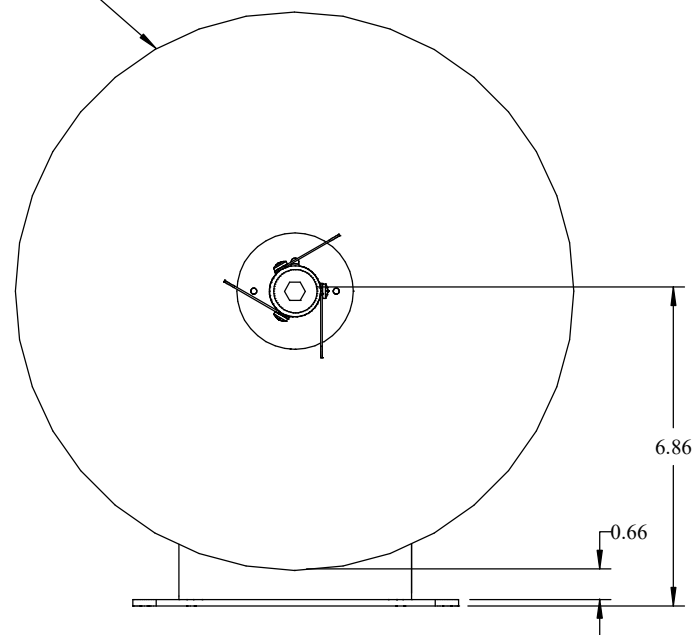
4

3

2

1

Dia. 12.00



LABELMATE USA
 12A Sunset Way, Henderson NV, 89014

TITLE

UCAT-S

DATE 11/11/20

PART NO. 80-237-0021

REV A

POWER ADAPTOR: -

SHEET 1 OF 1

4

3

2

1