

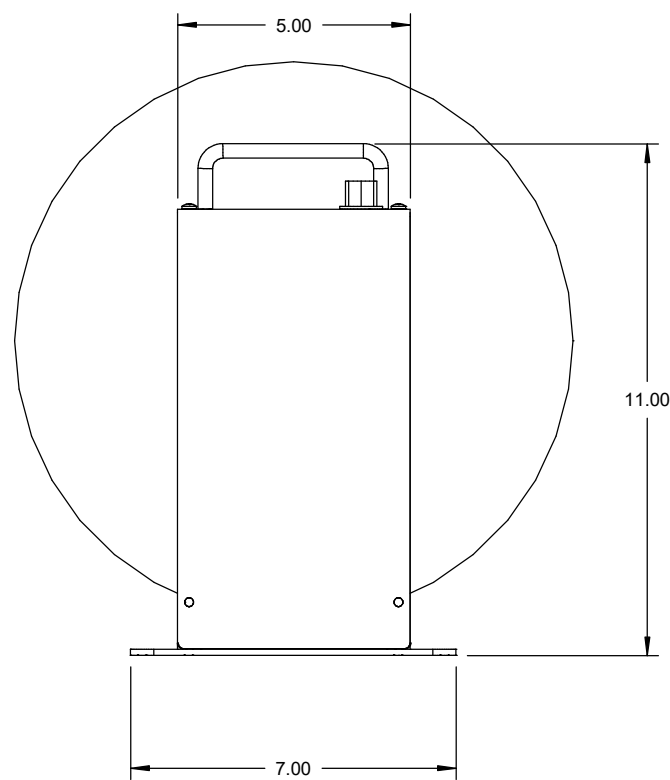
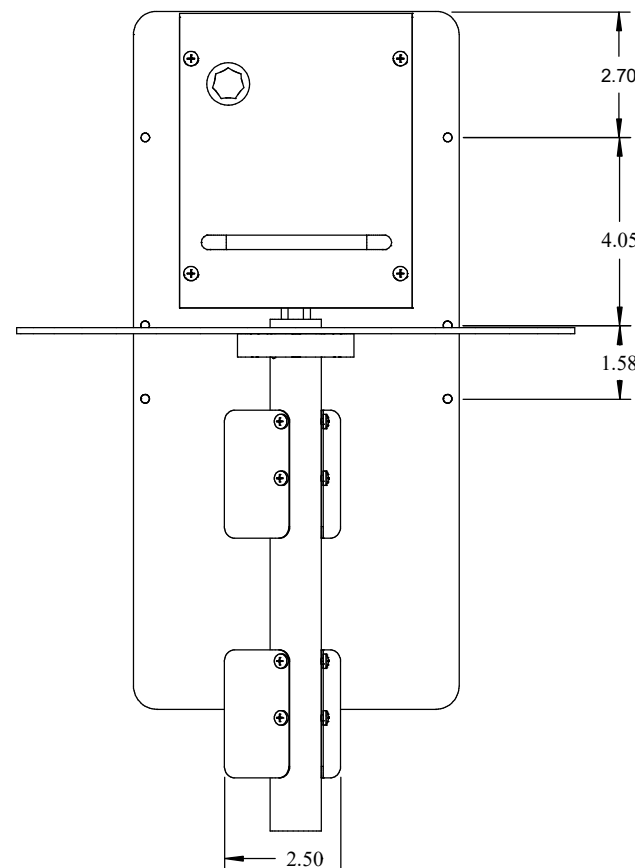
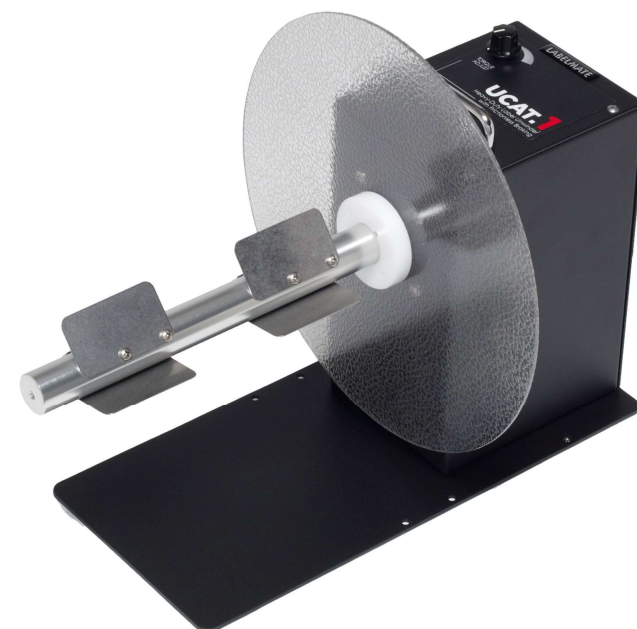
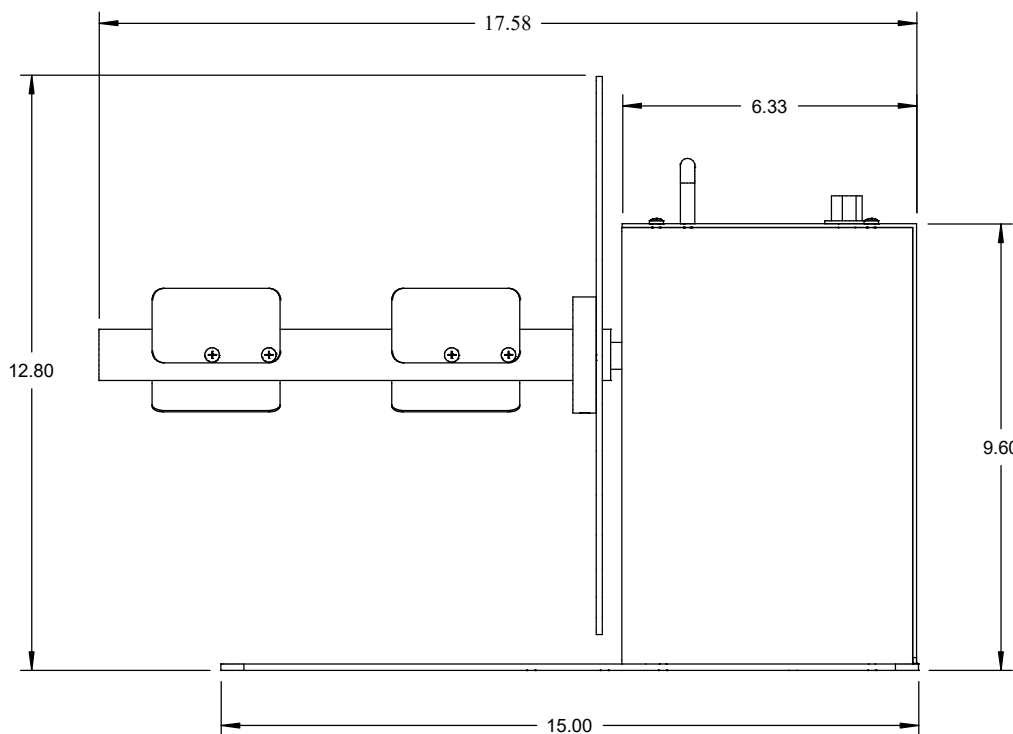
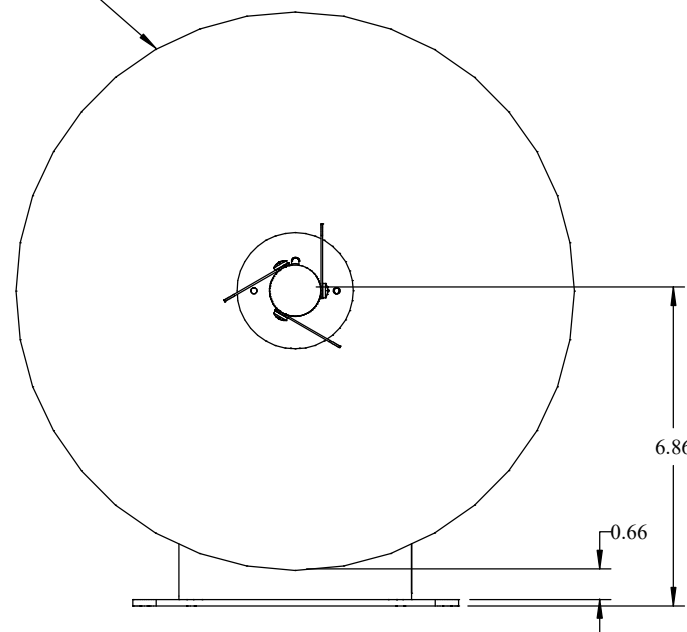
4

3

2

1

Dia. 12.00



LABELMATE USA 12A Sunset Way, Henderson NV, 89014		
TITLE UCAT-1-W10		
DATE 11/5/20	PART NO. 80-237-0011	REV A
POWER ADAPTOR: -	SHEET 1 OF 1	

4

3

2

1