

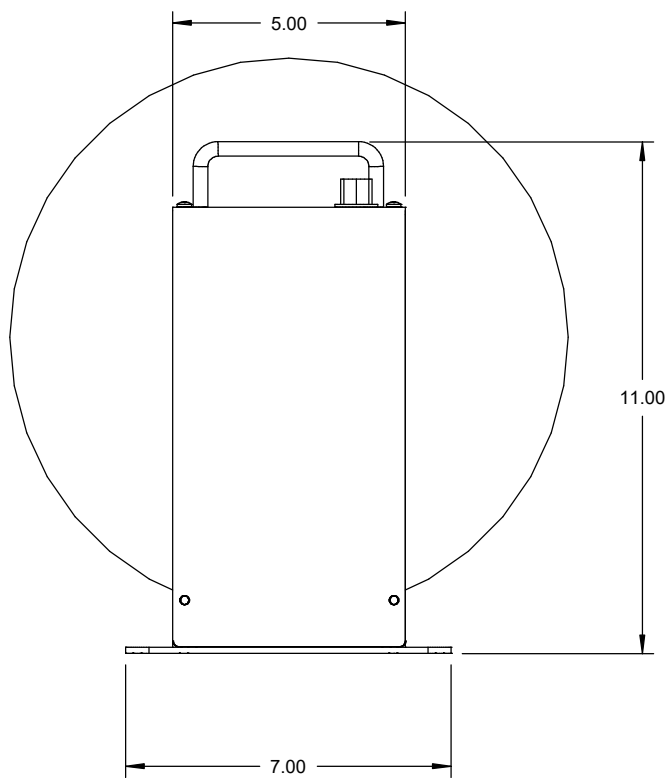
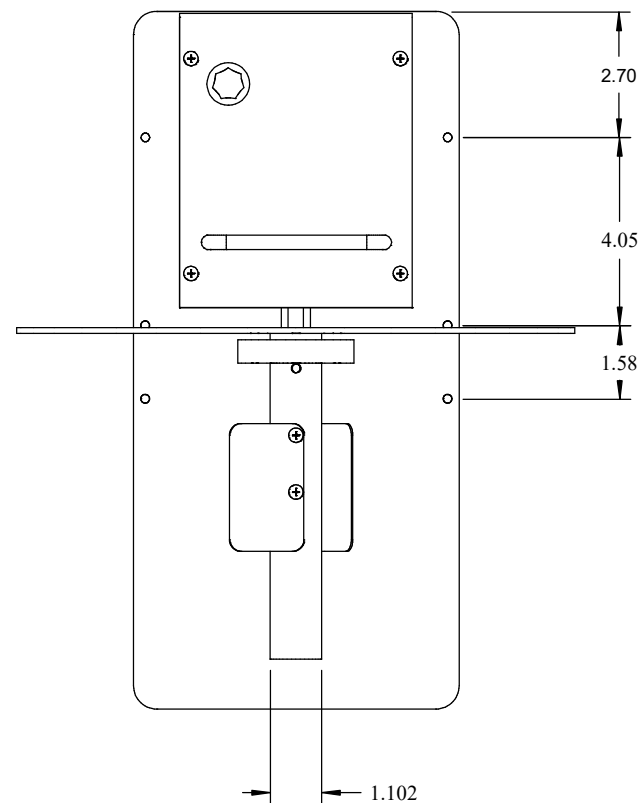
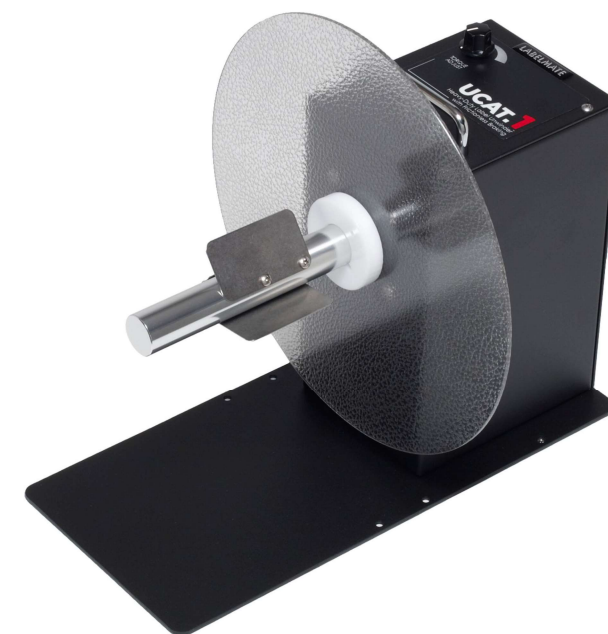
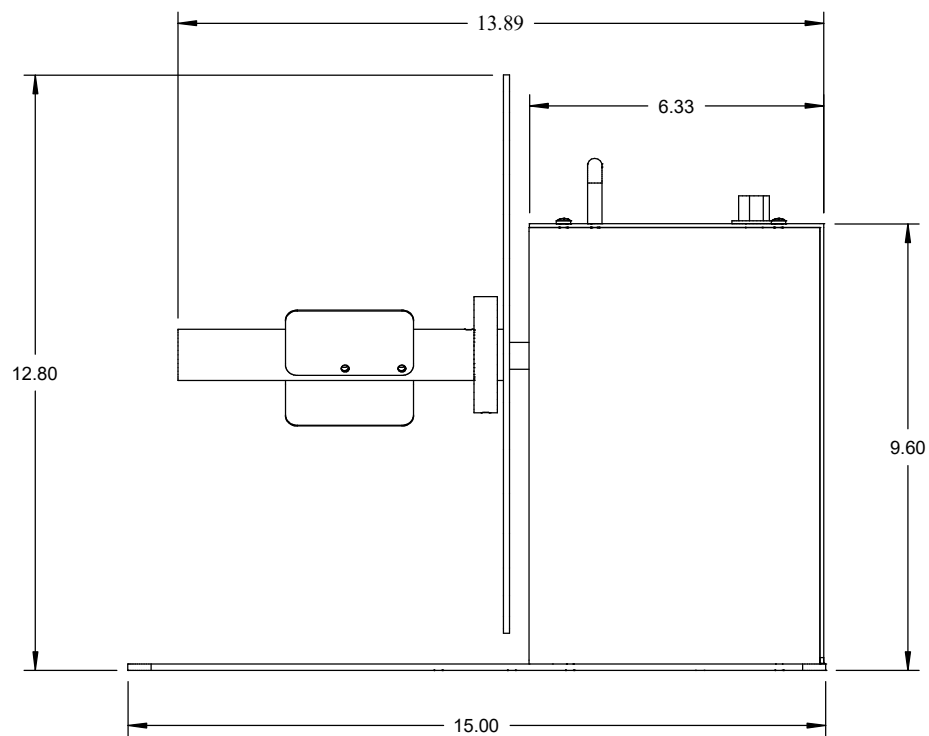
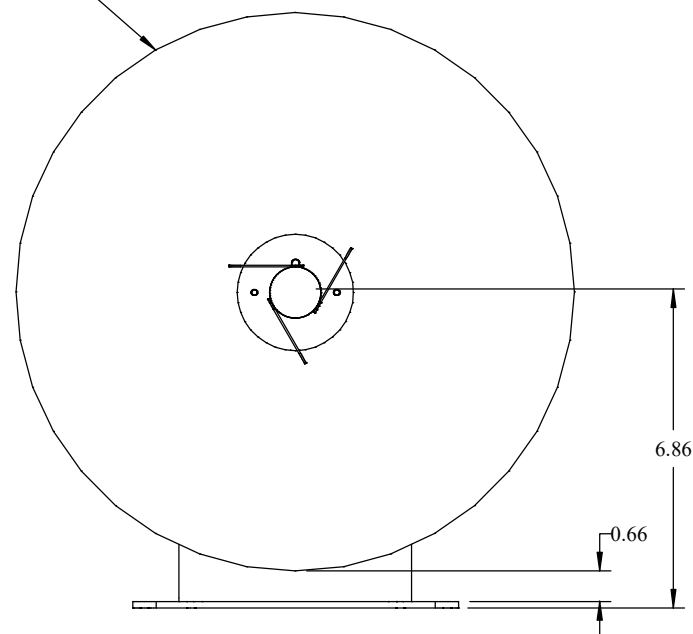
4

3

2

1

Dia. 12.00



LABELMATE USA 12A Sunset Way, Henderson NV, 89014		
TITLE <b>UCAT-1-STANDARD</b>		
DATE 10/23/20	PART NO. <b>80-237-0010</b>	REV <b>A</b>
POWER ADAPTOR: -	SHEET 1 OF 1	

4

3

2

1