

2

1

D

D

C

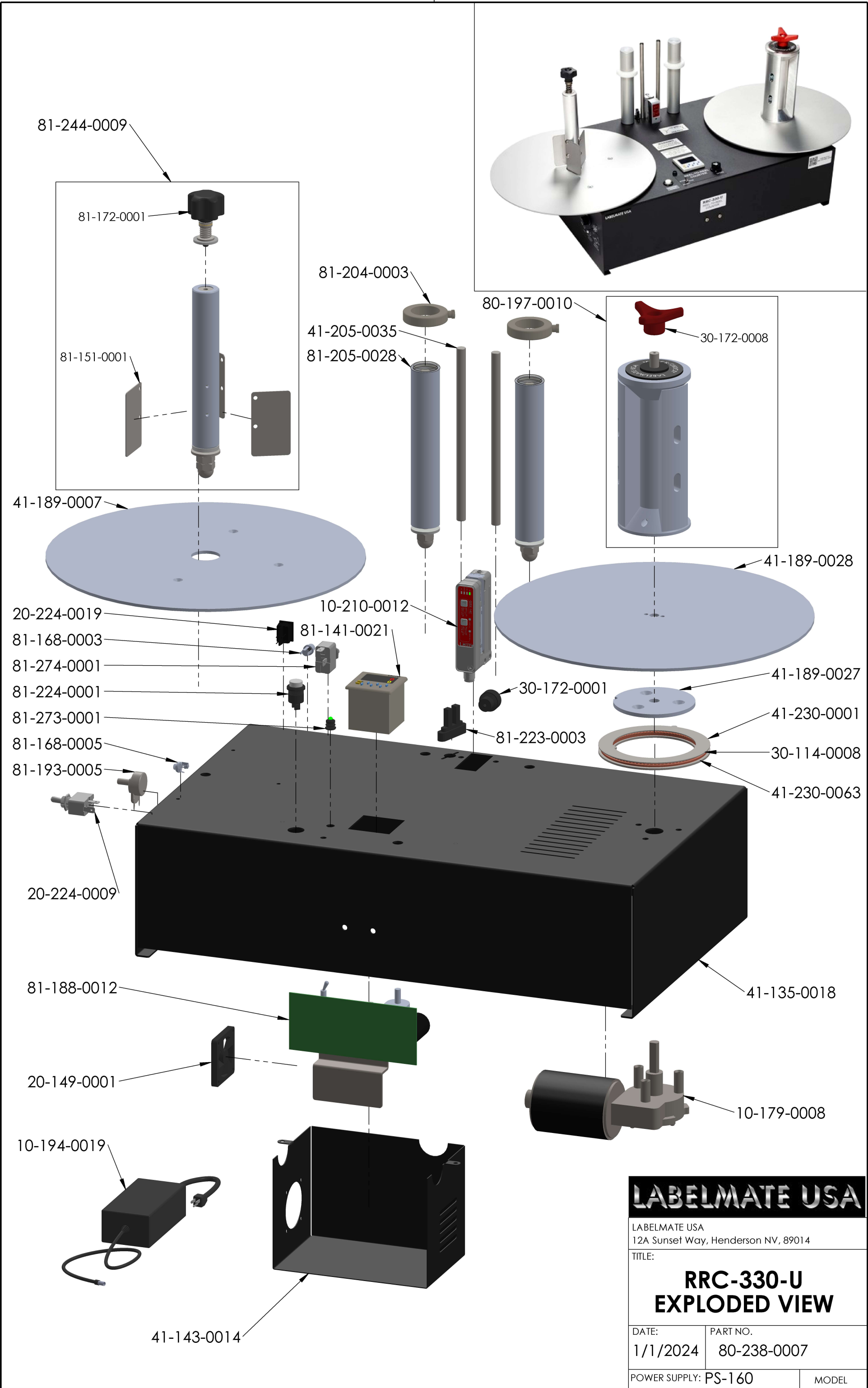
C

B

B

A

A



LABELMATE USA

LABELMATE USA
12A Sunset Way, Henderson NV, 89014

TITLE:
**RRC-330-U
EXPLODED VIEW**

DATE: 1/1/2024	PART NO. 80-238-0007
-------------------	-------------------------

POWER SUPPLY: PS-160	MODEL
----------------------	-------

2

1

4

3

2

1

LIST OF MATERIALS

PART NUMBER	ITEM DESCRIPTION	QTY		PART NUMBER	ITEM DESCRIPTION	QTY
10-194-0019	POWER SUPPLY, PS-160	1		81-244-0009	TSN, RR-6	1
41-135-0018	CHASSIS, RR-330-U	1		81-172-0001	UPG, TSN, RR-6	1
41-143-0014	COVER, RR	1		81-151-0001	FIN SET, 31MM (SET OF 3)	1
10-179-0008	MOTOR, RR-100	1		41-189-0007	PLATE, UNWIND, RR	1
20-224-0019	SWITCH, ON-OFF	1		81-204-0003	RING, GUIDE, RR	2
81-224-0001	BUTTON ASSY, RESET, RR	1		80-197-0010	C76-160, QUICK-CHUCK	1
81-168-0003	JACK ASSY, DC PWR, RR	1		30-172-0008	KNOB, QC, RED	1
81-273-0001	LED ASSY, RR	1		41-189-0028	PLATE, REWIND, RR	1
81-141-0021	COUNTER ASSY, PCR-1	1		81-168-0005	JACK ASSY, EXT HALT, RR	1
81-223-0003	OPS ASSY-816	1		20-224-0009	SWITCH, TOG-DIR	1
81-188-0012	PCB, RR	1		81-193-0005	POT ASSY, RR, 10K	1
81-205-0028	ROLLER KIT, RR, 6" (SET OF 2)	1		20-149-0001	FAN, RR	1
10-210-0012	SENSOR, RRC-U	1		41-189-0027	PLATE, ALU, RR	1
81-274-0001	SWITCH ASSY, DIR, RR	1		30-114-0008	BEARING, THRUST, RR	1
41-205-0035	ROD, GUIDE, ZCAT-170	2		41-230-0001	WASHER, SS, RR-4	1
30-172-0001	KNOB, BLACK, RRC-U	1		41-230-0063	WASHER, SS, RR-3	1

LABELMATE USA

LABELMATE USA
12A Sunset Way, Henderson NV, 89014

TITLE:

**RRC-330-U
EXPLODED VIEW**

DATE:

1/1/2024

PART NO.:

80-238-0007

POWER SUPPLY: PS-160

PARTS LIST

4

3

2

1

LABELMATE USA

LABELMATE USA
12A Sunset Way, Henderson NV, 89014

TITLE:

**RRC-330-U
EXPLODED VIEW**

DATE:

1/1/2024

PART NO.:

80-238-0007

POWER SUPPLY: PS-160

PARTS LIST